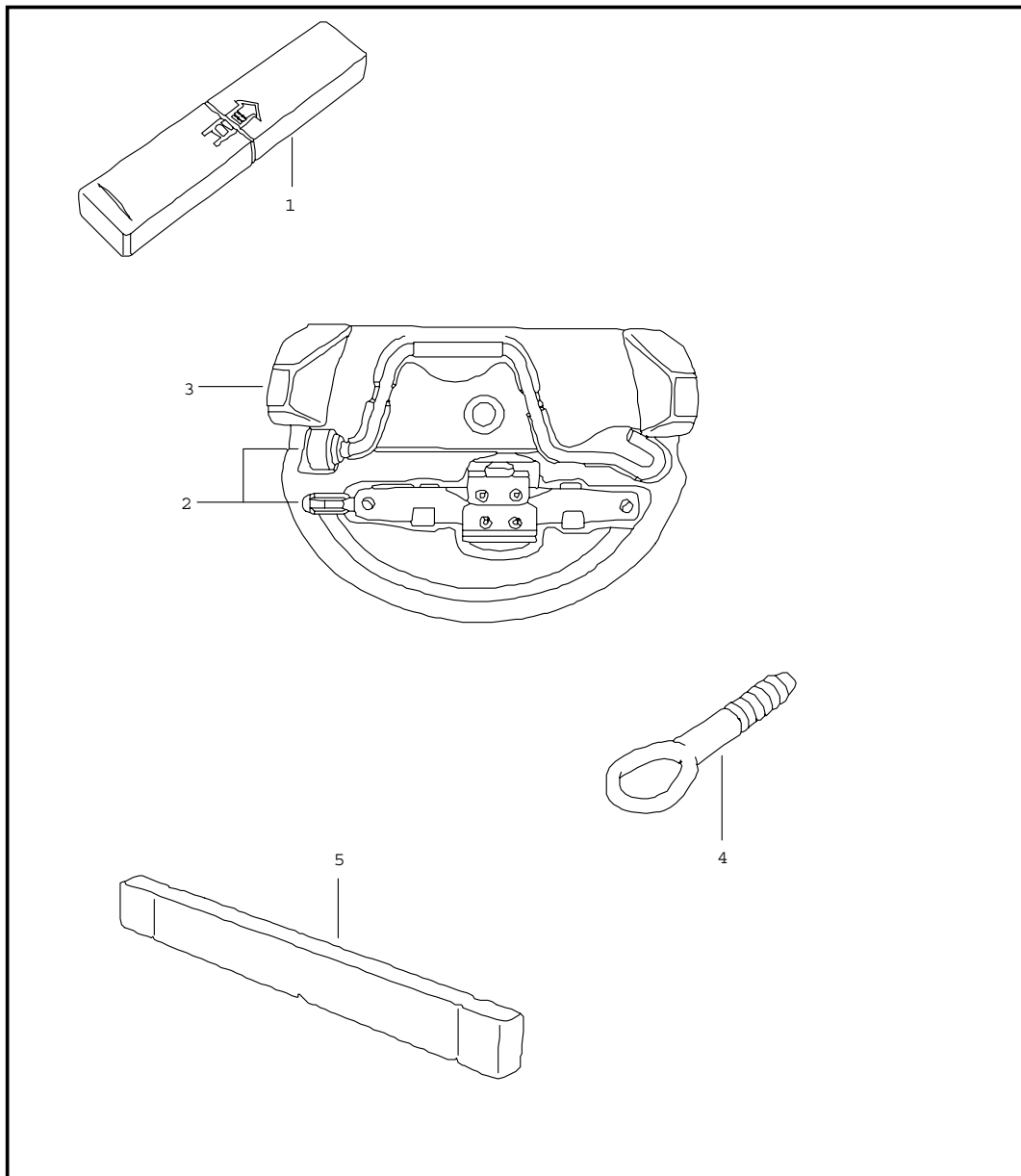


Model	Year	MG	SG	Illustration	Restrictions	Update	13:07	17.11.2005	PORSCHE	PET	PORSCHE
997	06	0	01	1-00		194					



Pos	Part Number	Name	Remarks	Qty	Model
1	997 721 115 00	tool jack tool kit with contents comprising:		1	
-	-	double-end spanner 10 X 13		1	
-	-	screw driver		1	
-	-	handle for screw driver		1	
-	999 571 077 02	socket wrench - 5 - for headlamp		1	
2	996 721 211 00	scissors type jack		1	I447
3	996 722 101 00	foam part		1	I447
-	999 571 074 30	threaded bolt for assembly wheels		1	I447
4	997 721 551 00	towing lug		1	
		- - - E N D - - -			

PORSCHE

PET

PORSCHE

Model	Year	MG	SG	Illustration	Restrictions	Update	13:07	17.11.2005
997	06	0	01	1-05		194		

Pos	Part Number	Name	Remarks	Qty	Model
		stickers			
		stickers emergency wheel		1	I447
-	996 361 701 20	sticker english		1	(USA)
-	996 361 701 21	sticker french	05	1	(CDN)
		stickers engine specifications			
2	997 006 109 00	sticker	05	1	CARRERA
2	997 006 109 02	sticker	06 06	1	CARRERA CARRERA 4
2	997 006 109 01	sticker	05	1	CARRERA S
2	997 006 109 03	sticker	06 06	1	CARRERA S CARRERA 4S
3	996 006 140 00	sticker antiknock regulation		1	
3	996 006 120 00	indication sticker expansion tank coolant	05	1	
4	997 006 544 00	sticker engine oil - MOBIL 1 -		1	
		stickers type of fuel			
5	996 006 117 03	sticker 93 RON/MON/2		1	
5	996 006 118 01	sticker fuel filler flap		1	(USA)
		stickers airbag			
6	3B0 010 219 B	sticker child car seat		1	
7	996 701 423 01	sticker SERVICE airbag		1	
8	996 701 421 05	sticker airbag warning sticker	05	1	
8	997 701 422 00	sticker airbag warning sticker	06	1	

PORSCHE

# PET

PORSCHE

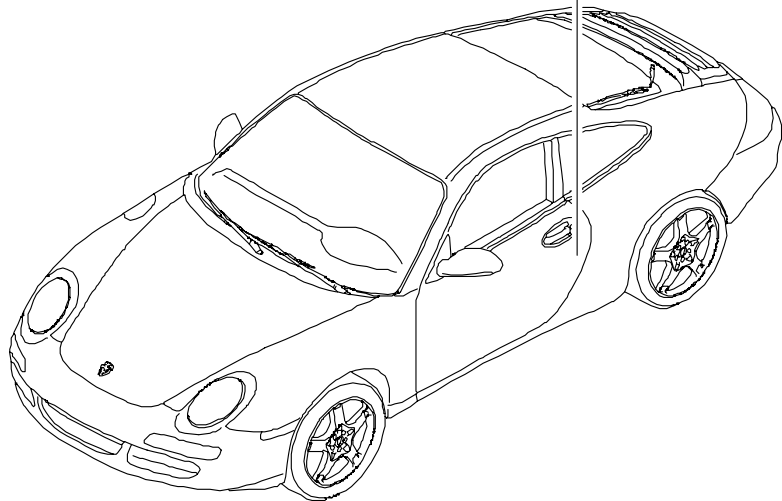
Model	Year	MG	SG	Illustration	Restrictions	Update		
997	06	0	01	1-05		194	13:07	17.11.2005

Pos	Part Number	Name	Remarks	Qty	Model
9	996 701 141 01	sticker air conditioner  stickers folding top control see group 8/07/09  - - - E N D - - -		1	CABRIO

Model	Year	MG	SG	Illustration	Restrictions	Update	13:07	17.11.2005	PORSCHE	PET	PORSCHE
997	06	0	04	4-00		194					

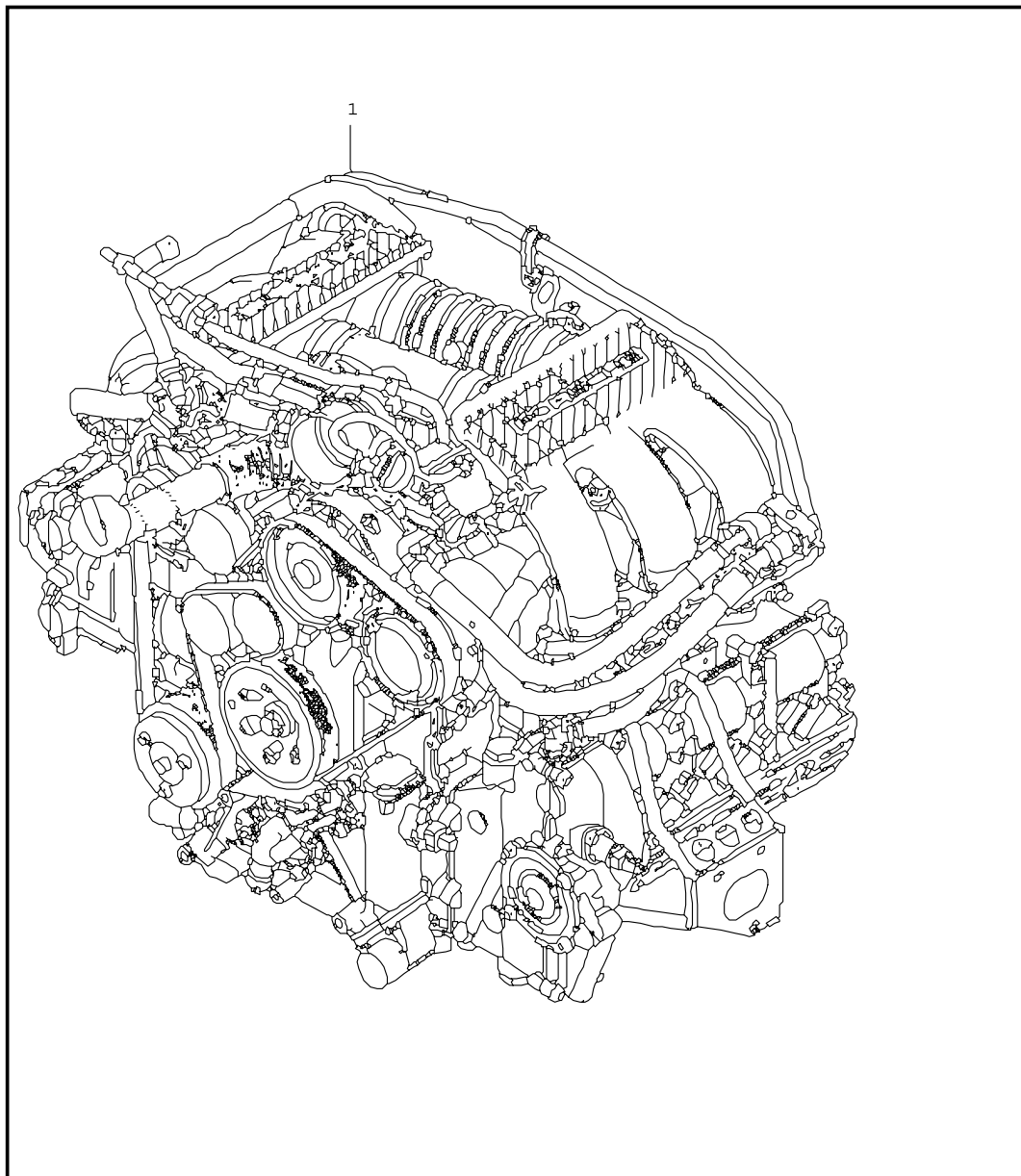
Codes: 29H Libellé Turbos Mercedes									
	G	J	±	±	K	M	F		
	G	J	±	±	K	M	T		
	G	J	±	±	K	M	F		
	G	J	±	±	K	M	T		
	G	J	±	±	K	M	F		
	G	J	±	±	K	M	T		
	G	J	±	±	K	M	F		
	G	J	±	±	K	M	T		
	G	J	±	±	K	M	F		

A Made in Germany  
 Reifenfülldruck kalte Reifen (20°). Nur Porsche freigegebene Reifen verwenden. Bei Reifenpanne siehe Fahrzeug Bedienungsanleitung.  
 Cold tyre inflation pressure (20°). Use only tyres released by Porsche. In case of tyre trouble see Operating Instructions.  
 Pression des pneus froids (20°) N'utilisez que des pneus autorisés par Porsche. En cas de crevaision d'un pneu consulter les Instructions de service.  
 Presion de neumáticos fríos (20°). Utilice únicamente neumáticos homologados por Porsche. En caso de pinchazo de neumático consulte las instrucciones de servicio del automóvil.  
 Pressione pneumatici freddi (20°). Usare soltanto pneumatici omologati da Porsche. In caso di foratura vedere libretto uso e manutenzione.



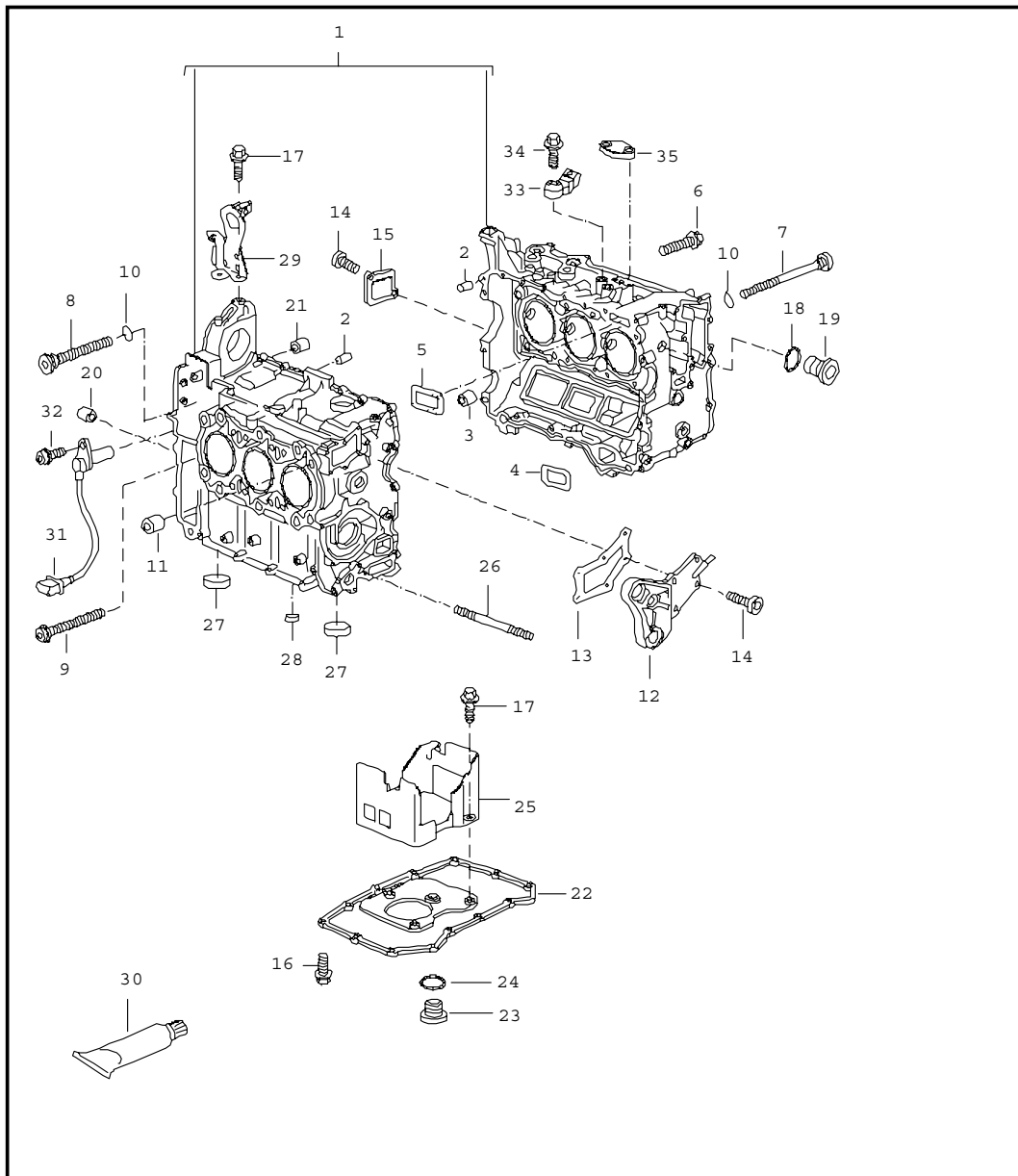
Pos	Part Number	Name	Remarks	Qty	Model
-	911 095 932 20	paint touch-up applicator lacquers		X	
	719	black			A 1
	80K	guards red			G 1
	B9A	carrara white			B 4
	12G	speed yellow			X 4
-	911 095 933 20	paint touch-up applicator set comprising: paint touch-up applicator primer paint touch-up applicator clear lacquer		X	
	92T	arctic silver metallic			X 1
	M3W	carmon red metallic			E 4
	M5W	lapis blue metallic			J 2
	M6W	lagoon green metallic			G 4
	C9Z	basalt black metallic			Z 4
	M7X	atlas grey metallic			E 7
	37W	midnight blue metallic			E 9
	6B5	seal grey metallic			Y 1
	22E	forest green metallic			53
	37U	cobalt blue metallic			56
	22D	slate grey metallic			59
	M7Z	gt silver metallic			U 2
	M6X	dark olive-metallic			7 G
		- - - E N D - - -			

Model	Year	MG	SG	Illustration	Restrictions	Update	13:08	17.11.2005	PORSCHE	PET	PORSCHE
997	06	1	01	101-00		194					



Pos	Part Number	Name	Remarks	Qty	Model
		replacement engine			M97.01 M96.05
		without drive plate tiptronic without flywheel manual transmission without compressor			
1 >	997 100 997 00	replacement engine	05	1	M97.01 I 480
1 >	997 100 997 02	replacement engine	06-	1	M97.01 I 480
1 >	997 100 997 40	replacement engine	06-	1	M97.01 I 480 X51
1 >	997 100 997 01	replacement engine	05	1	M97.01 I 249
1 >	997 100 997 03	replacement engine	06-	1	M97.01 I 249
1 >	997 100 997 41	replacement engine	06-	1	M97.01 I 249 X51
		technical information GRUPPE 1 NR.4/04 attention			
(1) A	996 100 996 21	replacement engine	05	1	M96.05 I 480
(1) >	996 100 996 31	replacement engine	05	1	M96.05 I 480
(1) >	996 100 997 02	replacement engine	06-	1	M96,05 I 480
(1) A	996 100 996 22	replacement engine	05	1	M96.05 I 249
(1) >	996 100 996 32	replacement engine	05	1	M96.05 I 249
(1) >	996 100 997 03	replacement engine	06-	1	M96.05 I 249
		- - - E N D - - -			

Model	Year	MG	SG	Illustration	Restrictions	Update	13:08	17.11.2005	PORSCHE	PET	PORSCHE
997	06	1	01	101-05		194					

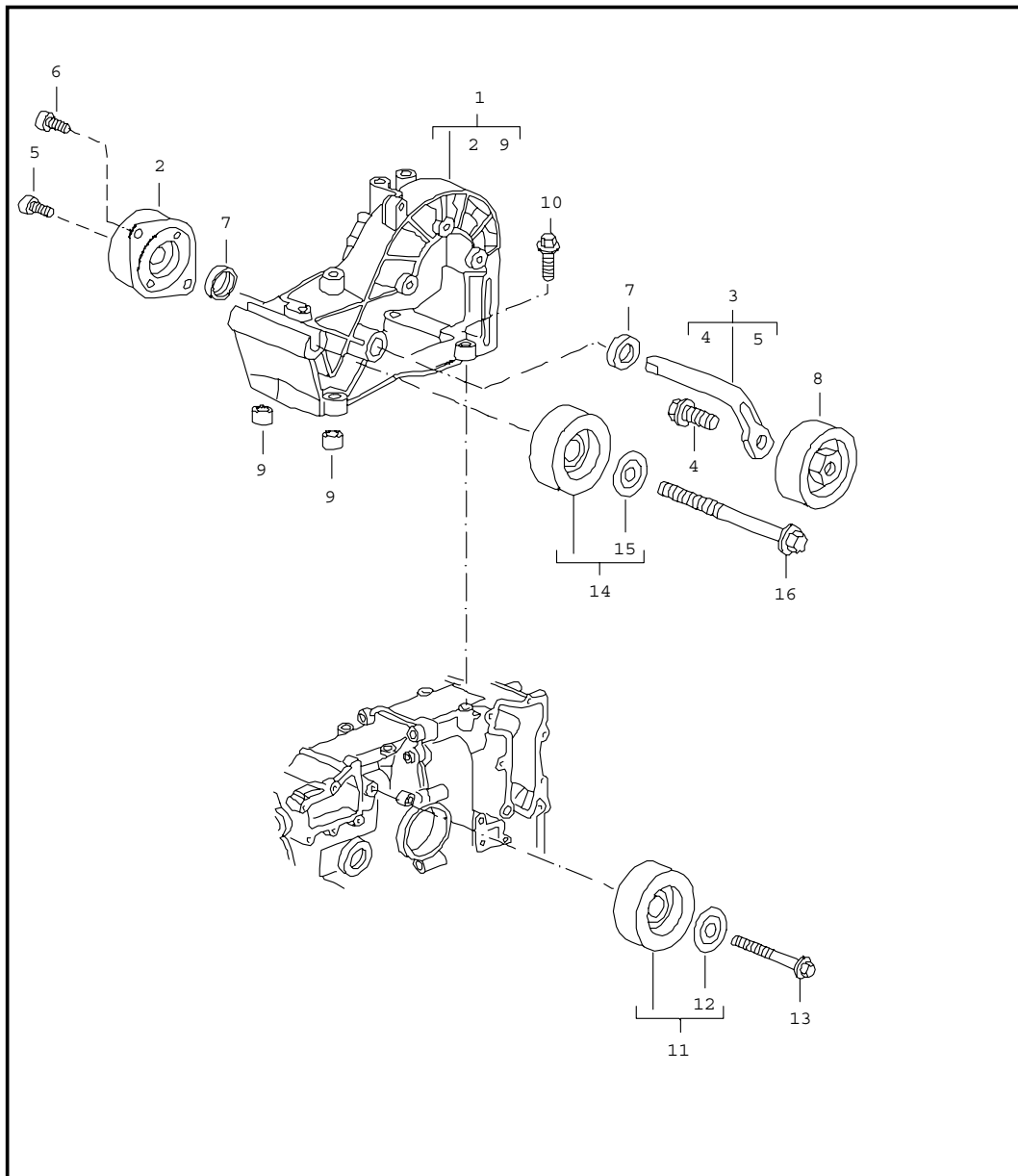


Pos	Part Number	Name	Remarks	Qty	Model
		crankcase			M97.01 M96.05
1	997 101 001 06	crankcase use also: 996.101.007.06 996.101.018.51		1	M97.01
				6	
(1)	996 101 901 07	crankcase		1	M96.05
2	999 012 049 00	straight pin		3	
3	996 101 253 51	dowel sleeve		3	
4	996 101 361 51	gasket		1	
5	996 101 363 50	gasket		1	
6	900 385 270 04	torx screw M 6 X 35		20	
(6)	999 385 004 09	torx screw BM 6 X 35 blue coated		4	
7	996 101 219 52	screw 9 X 150		1	
8	996 101 229 00	screw M 9 X 94		1	
9	996 101 203 00	screw M 9 X 94		1	
10	999 701 789 40	o-ring 12 X 2 use also: grease 000.043.300.13		2	X
11	999 095 043 01	dowel sleeve 17P 6 X 18,5		4	
12	996 101 021 52	cover		1	
13	996 101 331 50	gasket		1	
14	900 378 103 09	hexagon-head bolt M 6 X 20		6	
15	996 101 016 00	cover		1	
16	900 385 019 04	torx screw M 6 X 20		13	
17	900 385 009 09	torx screw M 6 X 16		5	

Model	Year	MG	SG	Illustration	Restrictions	Update	13:08	17.11.2005	PORSCHE	PET	PORSCHE
997	06	1	01	101-05		194					

Pos	Part Number	Name	Remarks	Qty	Model	Pos	Part Number	Name	Remarks	Qty	Model
18	900 123 147 30	sealing ring A 27 X 32		1							
19	900 219 017 30	screw plug M 27 X 2		1							
20	014 301 153 B	dowel sleeve 13 X 16 X13,5		2							
21	996 101 253 00	dowel sleeve for gear carrier		2							
22	996 107 031 55	oil pan		1							
23	900 219 009 30	screw plug M 18 X 1,5		1							
24	900 123 106 30	sealing ring A 18 X 24		1							
25	997 107 243 00	bulkhead		1							
26	999 218 110 09	stud M 10 X 102		4							
27	999 036 005 02	cover B 50		2							
28	000 043 300 19	cover B 16		2							
29	... ..	see illustrations 1/07/05		1							
30	000 043 203 73	sealing compound 30 ML		X							
(30)	000 043 204 35	sealing compound 50 ML		X							
31	986 606 112 03	pulse sender		1							
32	900 387 264 09	pan-head screw M 6 X 16		1							
33	997 606 121 00	knock sensor		2							
34	900 385 090 04	torx screw BM 8 X 35		2							
35	... ..	see illustrations 1/08/05		X							
		- - - E N D - - -									

Model	Year	MG	SG	Illustration	Restrictions	Update	13:08	17.11.2005	PORSCHE	PET	PORSCHE
997	06	1	01	101-10		194					

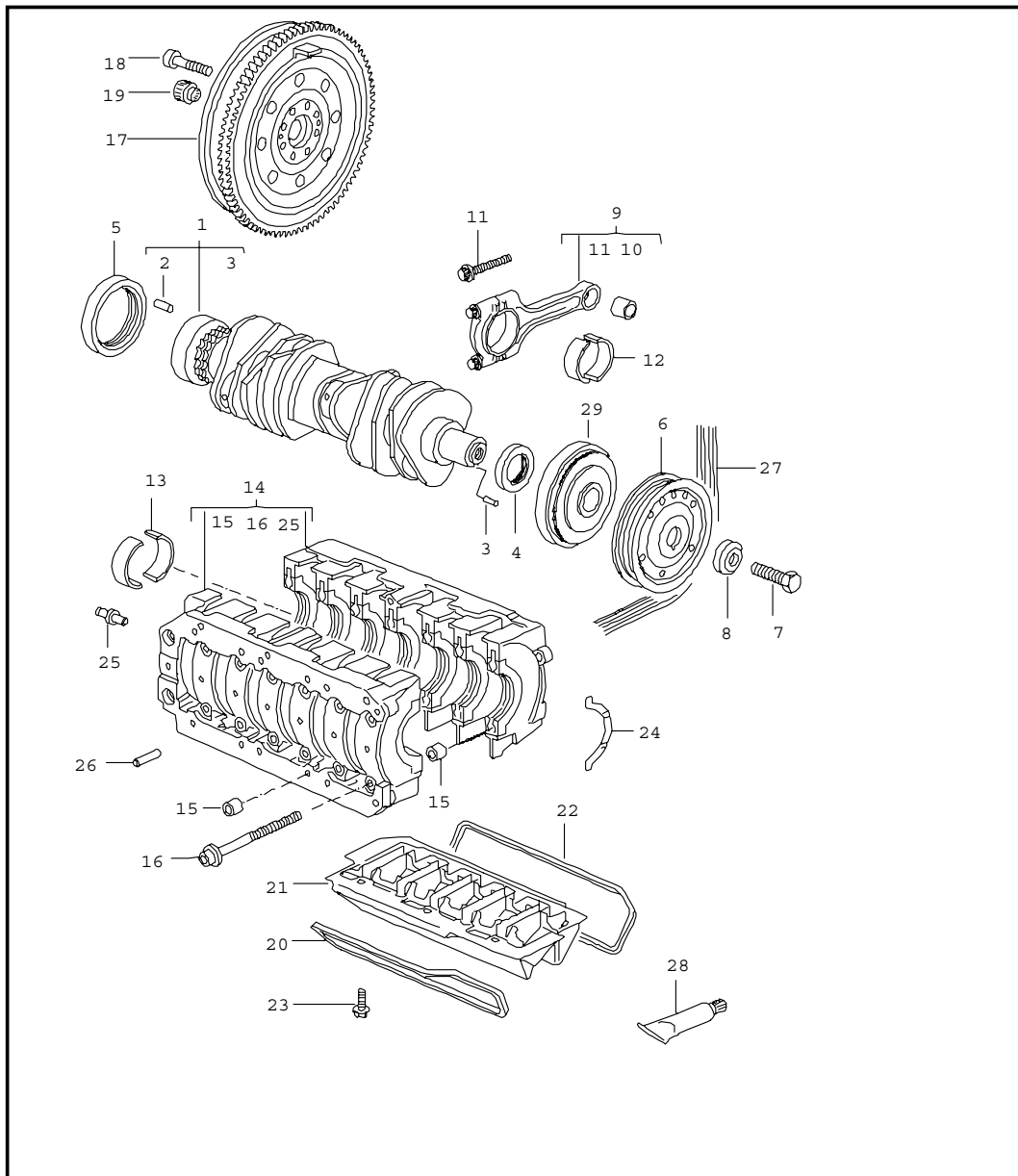


Pos	Part Number	Name	Remarks	Qty	Model
		belt tensioner belt drive			M97.01 M96.05
1	997 102 016 00	bracket		1	M97.01
1	997 102 016 00	bracket		1	M96.05/I480
(1)	996 102 016 01	bracket		1	M96.05/I249
2	997 102 260 00	tensioner		1	
3	996 102 360 51	lever		1	
4	999 072 041 09	hexagon-head bolt M 10 X 30		1	
5	900 067 117 03	pan-head screw M 6 X 16		1	
6	999 067 045 09	pan-head screw M 8 X 22		2	
7	996 102 365 50	dust boot		2	
8	997 102 117 00	tensioning roller		1	M97.01
8	997 102 117 00	tensioning roller		1	M96.05/I480
(8)	996 102 117 56	tensioning roller		1	M96.05/I249
9	999 095 064 00	dowel sleeve 12 M 6 X 13		2	
10	900 385 090 04	torx screw BM 8 X 35		4	
(11)	997 102 119 00	deflection roller		1	M97.01
(11)	997 102 119 00	deflection roller		1	M96.05/I480
11	996 102 119 58	deflection roller		1	M96.05/I249
12	996 102 127 54	cover disc		1	M96.05/I249
13	900 385 091 04	torx screw BM 8 X 60		1	
(14)	997 102 118 00	deflection roller		1	M97.01
(14)	997 102 118 00	deflection roller		1	M96.05/I480
14	996 102 118 56	deflection roller		1	M96.05/I249
15	996 102 125 53	cover disc		1	M96.05/I249
16	900 385 092 04	torx screw BM 10 X 145		1	

Model	Year	MG	SG	Illustration	Restrictions	Update					
997	06	1	01	101-10		194	13:08	17.11.2005	PORSCHE	PET	PORSCHE

Pos	Part Number	Name	Remarks	Qty	Model	Pos	Part Number	Name	Remarks	Qty	Model
		- - - E N D - - -									

Model	Year	MG	SG	Illustration	Restrictions	Update	13:09	17.11.2005	PORSCHE	PET	PORSCHE
997	06	1	02	102-00		194					

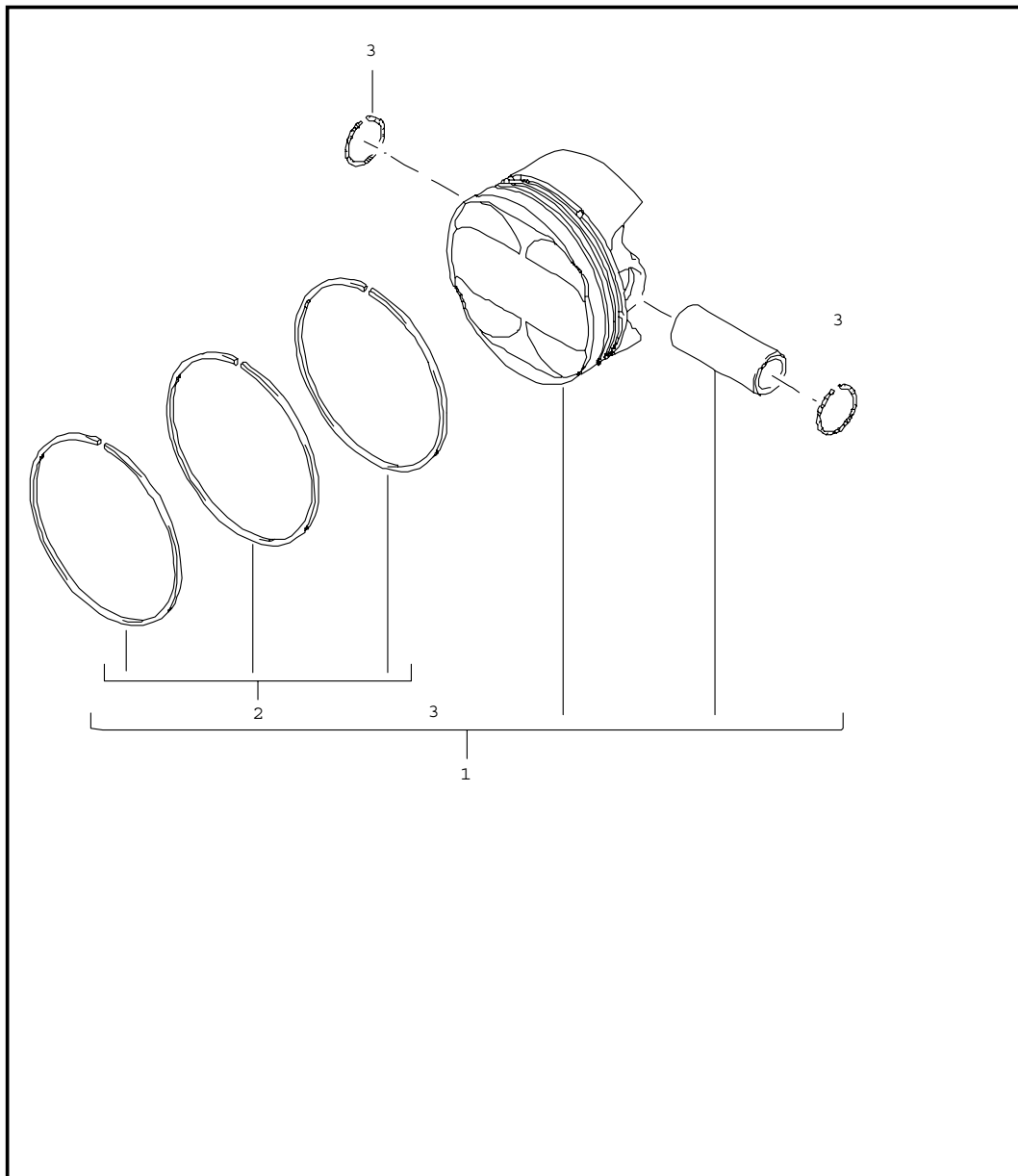


Pos	Part Number	Name	Remarks	Qty	Model
		crankshaft			M97.01 M96.05
1	996 102 012 04	crankshaft		1	
2	900 095 031 01	roll pin 6,0 X 16		1	
3	900 302 021 00	straight pin A 4,0 X 10		1	
4	999 113 475 40	shaft seal 40 X 62 X 10		1	
5	U 999 113 490 41	shaft seal 85 X 105 X 11		1	
5	997 101 212 00	shaft seal 85 x 105 x 11		1	
6	996 102 115 63	pulley		1	M96.05
-	997 102 203 00	washer		1	
7	997 102 202 00	screw pulley		1	
8	996 102 315 50	thrust washer		1	
9	996 103 985 02	1 set connecting rods comprising: 6 connecting rods		1	
10	996 103 111 51	connecting rod bush		6	
11	997 103 115 01	connecting rod bolt		12	
12	996 103 121 62	connecting-rod bearing		12	
13	996 101 209 04	crankshaft bearing		14	
(14)	996 101 007 06	gear carrier use also: 996 101 018 51		1 6	
15	999 095 064 00	dowel sleeve 12 M 6 X 13		3	
16	996 101 115 59	screw M 9 X 127		14	
17	997 114 012 00	double-mass flywheel		1	M97.01
(17)	996 114 012 03	double-mass flywheel		1	M96.05

Model	Year	MG	SG	Illustration	Restrictions	Update	13:09	17.11.2005	PORSCHE	PET	PORSCHE
997	06	1	02	102-00		194					

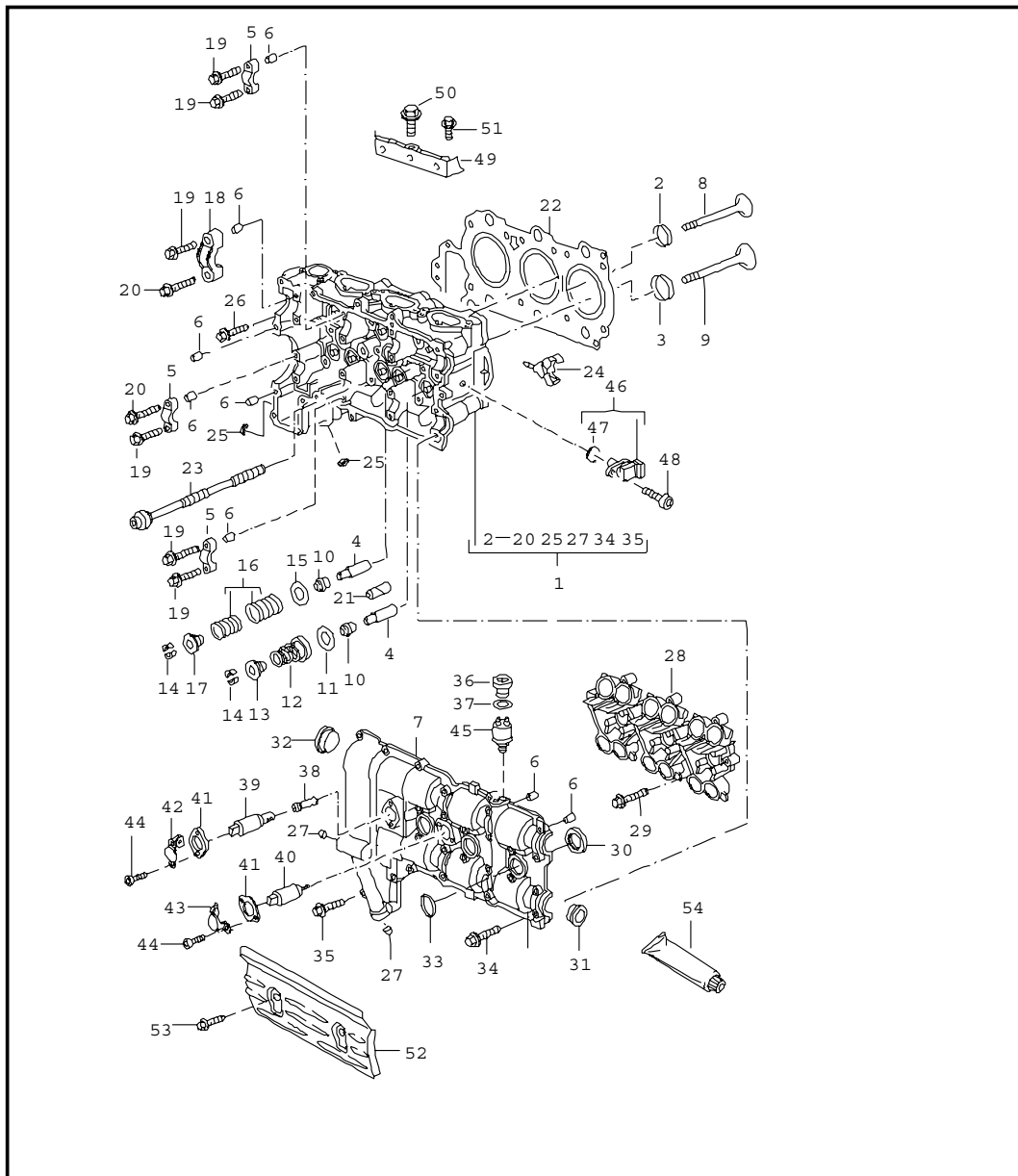
Pos	Part Number	Name	Remarks	Qty	Model	Pos	Part Number	Name	Remarks	Qty	Model
18	999 073 092 09	pan-head screw M 10 X 1 X 50		8							
19	999 052 210 00	deep-groove ball bearing 15 X 35 X 11		1							
20	996 101 241 51	gasket		1							
21	996 101 010 00	oil separator		1							
22	996 101 242 51	gasket		1							
23	900 385 050 09	torx screw BM 6 X 16		6							
24	996 101 132 00	thrust washer		2							
25	996 101 117 53	straight pin		1							
26	996 101 018 51	splash valve		6							
27	996 102 151 66	poly-rib belt		1	M 573						
28	000 043 204 17	grease Otipit 100 GR.		X							
29	997 102 241 01	vibration damper		1	M97.01						
		- - - E N D - - -									

Model	Year	MG	SG	Illustration	Restrictions	Update	13:09	17.11.2005	PORSCHE	PET	PORSCHE
997	06	1	02	102-05		194					



Pos	Part Number	Name	Remarks	Qty	Model
		piston			M97.01 M96.05
1	997 103 030 25	piston tolerance range X number plate - 536 - 542 G		6	M97.01
1	997 103 030 26	piston tolerance range X number plate + 542 - 548 G		6	M97.01
(1)	996 103 052 19	piston tolerance range X number plate - 525 - 530 G		6	M96.05
(1)	996 103 052 20	piston tolerance range X number plate + 531 - 536 G		6	M96.05
2	997 103 053 05	set of piston rings		6	M97.01
(2)	996 103 053 04	set of piston rings		6	M96.05
3	996 103 141 03	circlip		12	
		- - - E N D - - -			

Model	Year	MG	SG	Illustration	Restrictions	Update	13:09	17.11.2005	PORSCHE	PET	PORSCHE
997	06	1	03	103-00		194					



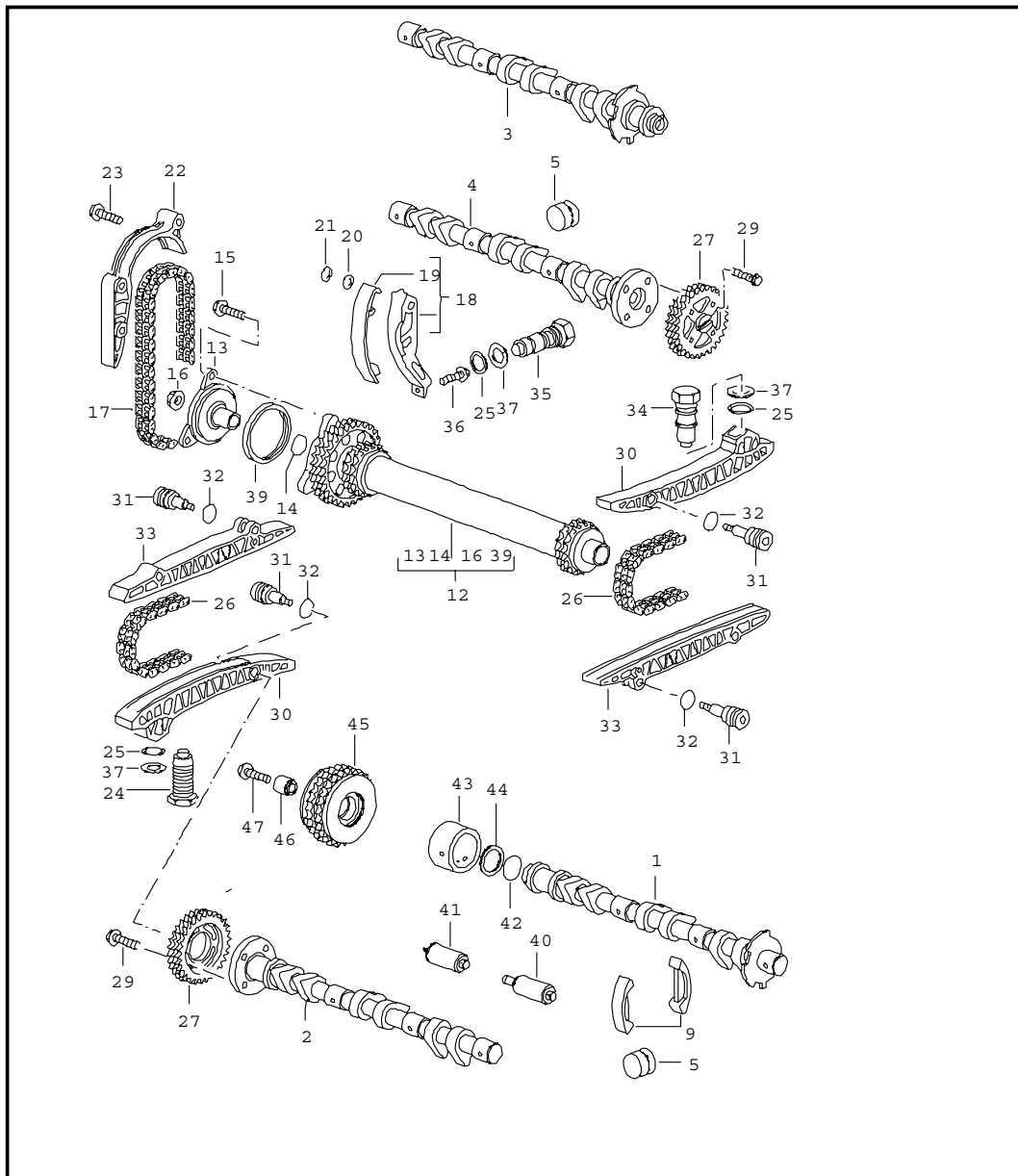
Pos	Part Number	Name	Remarks	Qty	Model
		cylinder head			M97.01 M96.05
1	997 104 903 00	cylinder head cyl. 1 - 3		1	M97.01
1	997 104 901 00	cylinder head cyl. 1 - 3	06-	1	M97.01 X51
(1)	996 104 913 00	cylinder head cyl. 1 - 3		1	M96.05
1	997 104 904 00	cylinder head cyl. 4 - 6		1	M97.01
1	997 104 902 00	cylinder head cyl. 4 - 6	06-	1	M97.01
(1)	996 104 914 00	cylinder head cyl. 4 - 6		1	M96.05
5	---	housing matching with: cylinder head		6	
6	996 104 117 50	dowel sleeve		28	
7	---	cover matching with: cylinder head		2	
8	996 105 271 00	intake valve		12	
9	996 105 273 03	exhaust valve		12	
10	996 105 115 52	valve stem seal		24	
11	996 105 117 51	concave washer		12	
12	996 105 118 01	valve spring		12	
13	996 105 121 54	concave washer		12	
14	996 105 123 51	valve collet		48	
15	996 105 147 00	concave washer lower intake		12	
16	996 105 939 00	set of valve springs set intake		12	
17	996 105 145 00	concave washer upper intake		12	

Model	Year	MG	SG	Illustration	Restrictions	Update	13:09	17.11.2005	PORSCHE	PET	PORSCHE
997	06	1	03	103-00		194					

Pos	Part Number	Name	Remarks	Qty	Model	Pos	Part Number	Name	Remarks	Qty	Model
18	---	housing intake matching with: cylinder head		2		36	900 219 018 30	screw plug M 14 X 1,5		1	
19	900 385 017 09	torx screw BM 6 X 35		12		37	900 123 007 30	sealing ring A 14 X 18		1	
20	900 385 025 09	torx screw BM 6 X 40		4		38	996 105 703 01	oil strainer		2	
21	000 043 204 46	sleeve for valve stem seal		1		39	996 105 303 05	actuator camshaft		2	
22	997 104 201 02	cylinder head gasket		2	M97.01	--	996 105 903 05	o-ring actuator camshaft		2	
(22)	996 104 201 04	cylinder head gasket		2	M96.05	40	996 105 301 03	actuator valve		2	
23	996 104 180 58	screw M 10 X 230		24		40	997 105 301 00	actuator valve		2	
24	999 507 075 40	cable holder 3,0 - 12		2		--	996 105 901 03	o-ring actuator valve		2	
25	999 036 026 02	cover 10 MM		4		41	996 105 244 03	cover actuator		4	
26	900 385 048 04	torx screw BM 6 X 30 mount cylinder head crankcase		8		42	996 105 256 01	support		2	
27	900 036 023 02	cover B 18		4		43	996 105 310 03	support		2	
28	996 104 042 05	housing cam follower hydraulic		2		--	999 651 386 02	cable clamp 5,5 - 9,0		4	
29	900 385 017 09	torx screw BM 6 X35		22		44	900 387 006 09	pan-head screw M 6 X 20		8	
30	996 104 203 00	gasket		6		45	996 606 203 00	oil pressure switch		1	
31	996 104 215 54	cover		4		46	997 606 106 01	hall sender		2	
32	996 104 216 02	cover		2		47	999 707 404 40	o-ring 17,05 X 1,78		2	
33	999 701 761 40	o-ring 28 X 2		6		48	900 387 264 09	pan-head screw M 6 X 16		2	
34	999 385 003 09	torx screw BM 6 X 30		16		49	996 104 126 01	bracket		2	
35	900 385 048 04	torx screw BM 6 X 30		24		50	900 378 055 09	hexagon-head bolt AM 8 X 40		2	
						51	900 378 022 09	hexagon-head bolt AM 8 X 25		4	
						52	996 104 445 02	cover plate		2	



Model	Year	MG	SG	Illustration	Restrictions	Update	13:09	17.11.2005	PORSCHE	PET	PORSCHE
997	06	1	03	103-10		194					



Pos	Part Number	Name	Remarks	Qty	Model
1	997 105 947 00	camshaft driving mechanism		1	M97.01 M96.05
(1)	996 105 947 03	camshaft intake cyl. 1 - 3		1	M96.05
2	996 105 059 01	camshaft exhaust cyl. 1 - 3		1	
3	997 105 948 00	camshaft intake cyl. 4 - 6		1	M97.01
(3)	996 105 948 03	camshaft intake cyl. 4 - 6		1	M96.05
4	997 105 060 01	camshaft exhaust cyl. 4 - 6		1	
5	996 105 041 72	hydraulic valve tappet exhaust		12	
(5)	996 105 255 22	hydraulic valve tappet intake		12	
7	996 105 051 03	camshaft adjuster cylinder 1 - 3		1	
8	900 067 372 09	screw M 6 X 95		6	
9	996 105 253 00	parts kit guide piece		1	
11	999 141 032 07	screw		2	
12	996 105 901 02	intermediate shaft		1	
12	996 105 901 04	intermediate shaft		1	
13	996 105 024 01	housing for intermediate shaft 996.105.901.02		10	
13	996 105 024 06	housing for intermediate shaft 996.105.901.04		1	

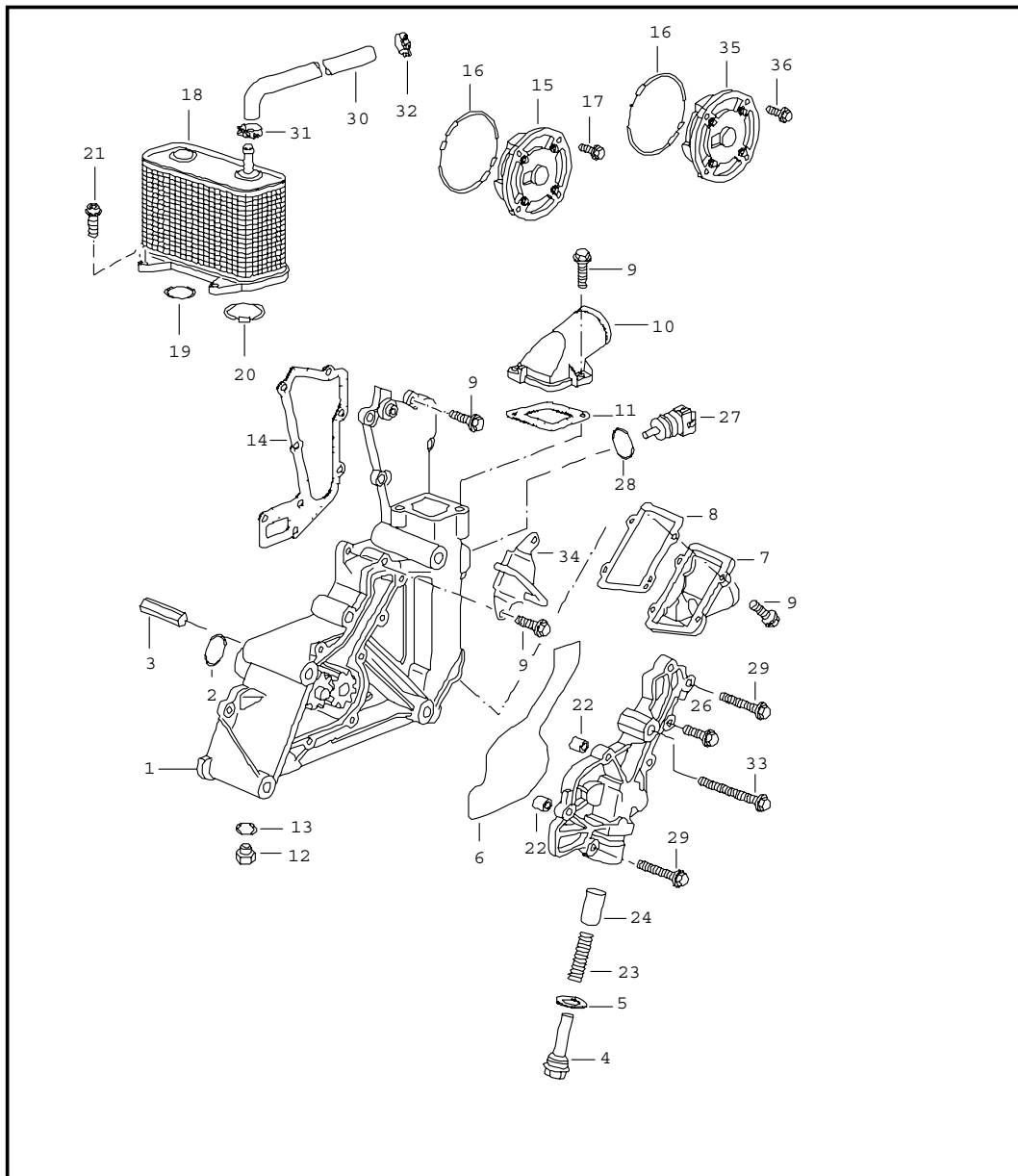
Model	Year	MG	SG	Illustration	Restrictions	Update	13:09	17.11.2005	PORSCHE	PET	PORSCHE
997	06	1	03	103-10		194					

Pos	Part Number	Name	Remarks	Qty	Model	Pos	Part Number	Name	Remarks	Qty	Model
14	999 707 392 40	o-ring 7 X 2 for intermediate shaft 996.105.901.02		1		30	996 105 156 00	tensioner blade cylinder 1 - 3		1	
(14)	999 707 571 40	o-ring 18 x 2 for intermediate shaft 996.105.901.04		1		(30)	996 105 158 00	tensioner blade cylinder 4 - 6		1	
15	900 385 093 09	hexagon-head bolt M 6 X 20		3		31	996 105 062 01	screw M 6		6	
16	900 380 019 02	hexagon nut M 8 X 1 for housing 996.105.024.01		1		32	999 707 346 40	o-ring 15 X 3		6	
(16)	999 084 434 01	hexagon nut M 12 x 1,25 for housing 996.105.024.06		1		33	996 105 054 01	guide piece cylinder 1 until cyl. 3		1	
17	996 105 171 56	timing chain		1		(33)	996 105 164 00	guide piece cyl. 4 until cyl. 6		1	
18	996 105 165 55	tensioner blade		1		34	996 105 188 01	chain adjuster		1	
19	996 105 195 00	pad		1		35	996 105 180 56	chain adjuster		1	
20	900 234 040 01	shim 10 X 16 X 1,2		1		36	996 105 197 00	pressure pin		1	
21	900 041 004 01	circlip 10 X 1		1		37	900 123 147 30	sealing ring A 27 X 32		3	
22	996 105 166 51	guide piece		1		39	996 105 112 01	gasket		1	
23	900 075 486 01	screw M 6 X 40		3		40	... ..	see illustrations 1/03/00		2	
24	996 105 186 01	chain adjuster		1		41	... ..	see illustrations 1/03/00		2	
25	999 707 344 40	o-ring 18,77 X 1,78		4		42	996 105 280 50	ring		4	
26	996 105 152 00	timing chain		2		43	996 104 205 06	bearing sleeve		2	
27	996 105 178 54	sprocket with driver		2		44	996 105 203 00	washer		2	
29	900 385 272 09	hexagon-head bolt M 6 X 12		8		45	996 105 051 03	camshaft adjuster camshaft intake cylinder 1 - 3		1	
						(45)	996 105 052 01	camshaft adjuster camshaft intake cylinder 4 - 6		1	

Model	Year	MG	SG	Illustration	Restrictions	Update	13:09	17.11.2005	PORSCHE	PET	PORSCHE
997	06	1	03	103-10		194					

Pos	Part Number	Name	Remarks	Qty	Model	Pos	Part Number	Name	Remarks	Qty	Model
46	987 105 260 01	intermediate piece		2							
47	U 996 105 254 00	hexagon-head bolt		2							
47	987 105 254 00	hexagon-head bolt		2							
		- - - E N D - - -									

Model	Year	MG	SG	Illustration	Restrictions	Update	13:10	17.11.2005	PORSCHE	PET	PORSCHE
997	06	1	04	104-00		194					

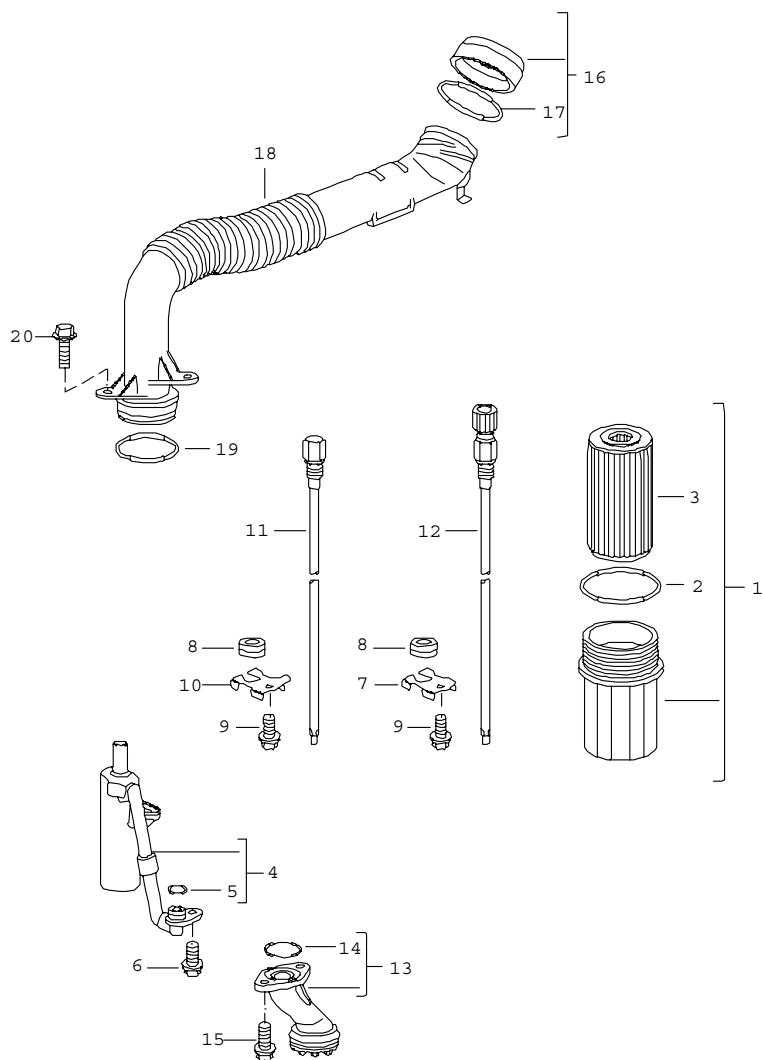


Pos	Part Number	Name	Remarks	Qty	Model
		oil pump tandem pump			M97.01
1	996 107 012 58	oil pump		1	
2	996 107 103 51	o-ring 29,1 X 2,55 use also: grease 000 043 300 13		2	
3	996 107 121 50	driver		1	
4	996 107 105 51	screw plug		1	
5	996 107 123 50	gasket		1	
6	996 107 261 50	sealing ring		1	
7	996 106 220 51	connection piece supply		1	
8	996 106 316 51	gasket		1	
9	900 378 030 09	hexagon-head bolt M 6 X 20		14	
10	997 106 216 00	connection piece		1	
11	996 106 321 50	gasket		1	
12	900 219 007 02	screw plug M 10 X 1		1	
13	900 123 144 30	sealing ring A 10 X 13,5		1	
14	996 107 337 50	gasket		1	
15	997 107 021 03	oil pump		1	
16	999 707 554 40	o-ring 95 X 2,5 use also: grease 000 043 300 13		2	
17	999 073 316 09	hexagon-head bolt M 6 X 20		4	
18	997 107 025 00	heat exchanger		1	
19	999 707 542 40	o-ring 28 X 3		2	
20	999 707 389 40	o-ring 35 X 4		2	

Model	Year	MG	SG	Illustration	Restrictions	Update	13:10	17.11.2005	PORSCHE	PET	PORSCHE
997	06	1	04	104-00		194					

Pos	Part Number	Name	Remarks	Qty	Model	Pos	Part Number	Name	Remarks	Qty	Model
21	900 387 264 09	pan-head screw M 6 X 16		4							
22	996 106 103 50	dowel sleeve 8,2 X 7		2							
23	996 107 127 53	spring		1							
24	996 107 125 51	piston		1							
25	996 107 212 53	cover for 996 107 012 56		1							
25	996 107 212 54	cover for 996 107 012 58		1							
26	900 385 019 09	torx screw BM 6 x 20		7							
27	996 606 410 00	temperature sensor		1							
28	---	sealing ring		1							
29	900 385 066 09	hexagon-head bolt M 6 X 80		2							
30	996 106 230 53	breather hose		1							
31	999 512 554 00	hose clamp 12 - 22 MM		1							
32	999 512 652 09	hose clamp 19 X 12		1							
33	900 385 004 09	hexagon-head bolt M 10 X 60		1							
34	996 102 235 01	clip		1	I249/I573						
35	997 107 022 01	tandem pump		1							
36	999 073 317 09	round head screw M 6 X 30		4							
--	997 107 055 05	vacuum line for tandem pump		1							
		- - - E N D - - -									

Model	Year	MG	SG	Illustration	Restrictions	Update	13:10	17.11.2005	PORSCHE	PET	PORSCHE
997	06	1	04	104-05		194					

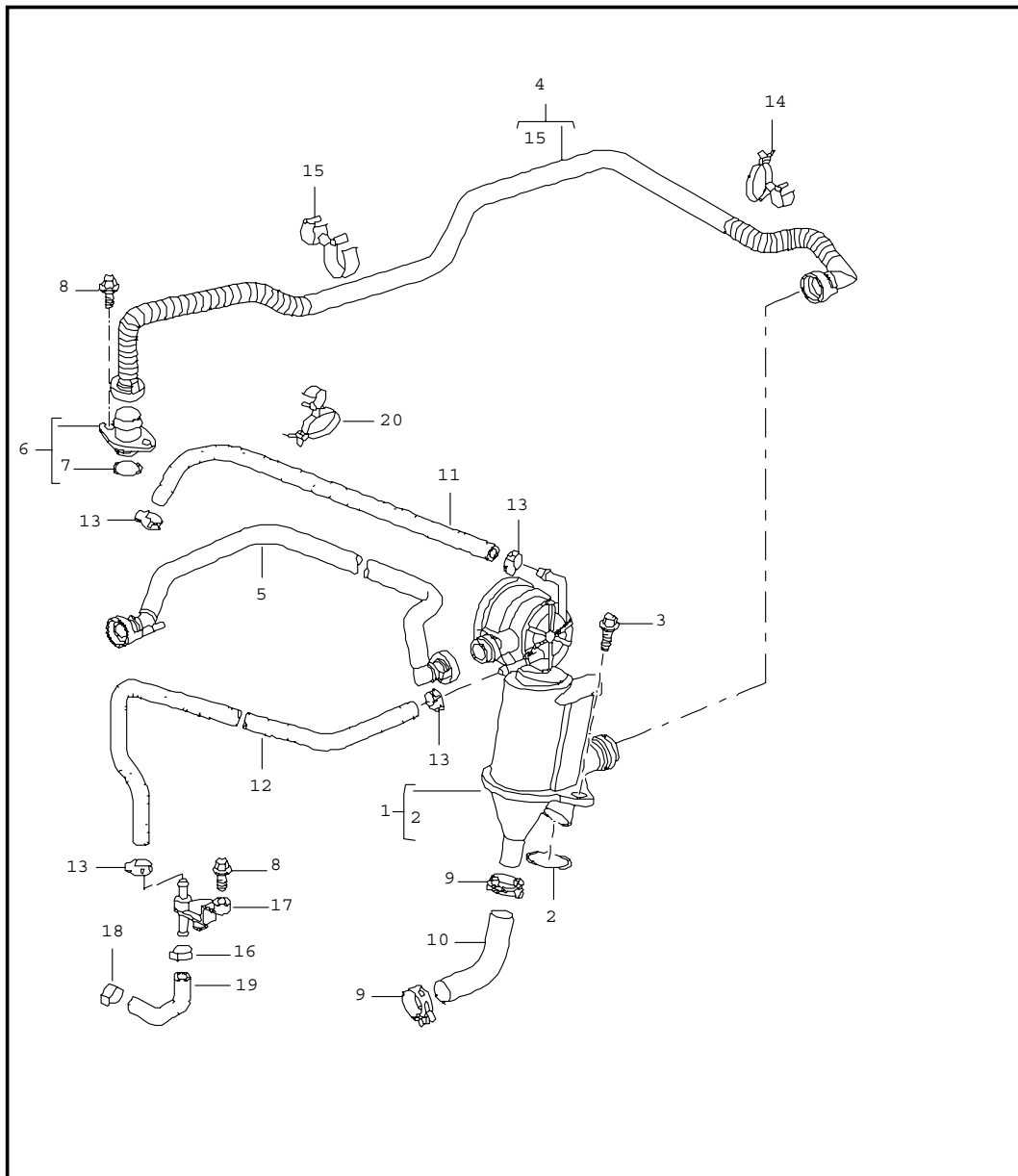


Pos	Part Number	Name	Remarks	Qty	Model
		engine lubrication			M97.01 M96.05
1	996 107 020 55	oil filter		1	
2	996 107 313 51	sealing ring use also: grease 000.043.205.10		1	
3	996 107 225 53	filter element		1	
4	996 107 080 54	oil separator		2	
5	999 701 789 40	o-ring 12 X 2		2	
6	900 385 019 04	torx screw BM 6 X 20		4	
7	996 107 333 50	support oil-level sender		1	
8	999 702 206 50	grommet 9,5 X 18,0 X 1,2		2	
9	900 385 041 09	torx screw BM 6 X 12		2	
10	997 107 333 50	support return pipe		1	M97.01
11	997 107 638 02	return pipe engine oil		1	M97.01
12	996 606 150 00	oil-level sender		1	
13	996 107 075 57	suction tube		1	
14	999 707 375 40	o-ring 30 X 3		1	
15	900 385 275 09	torx screw BM 6 X 20		2	
16	996 107 035 52	cover		1	
17	996 107 336 00	gasket		1	
18	996 107 150 60	filler tube		1	
(18)	997 107 915 00	filler tube	06-	1	M97.01 X51
19	999 707 348 40	o-ring 42 X 4 use also: grease 000.043.300.13		1	

Model	Year	MG	SG	Illustration	Restrictions	Update						
997	06	1	04	104-05		194	13:10	17.11.2005	PORSCHE	PET	PORSCHE	

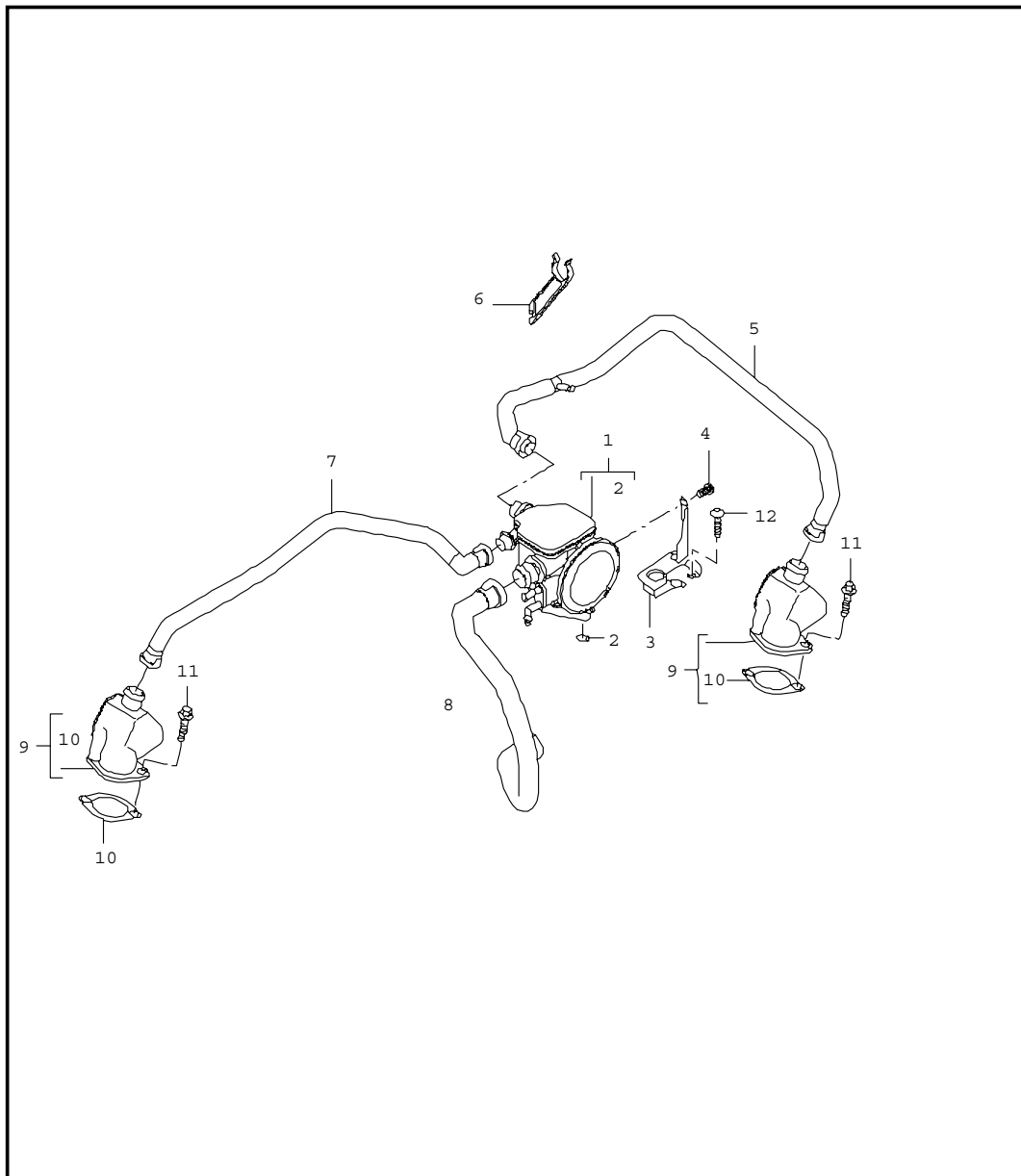
Pos	Part Number	Name	Remarks	Qty	Model	Pos	Part Number	Name	Remarks	Qty	Model
20	900 385 050 09	torx screw M 6 X 16		2							
		- - - E N D - - -									

Model	Year	MG	SG	Illustration	Restrictions	Update	13:10	17.11.2005	PORSCHE	PET	PORSCHE
997	06	1	04	104-10		194					



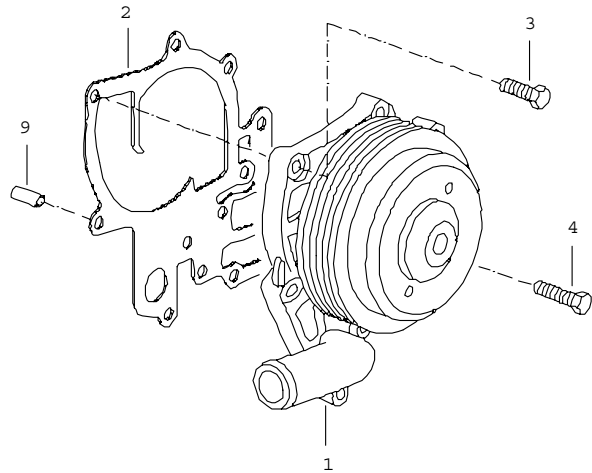
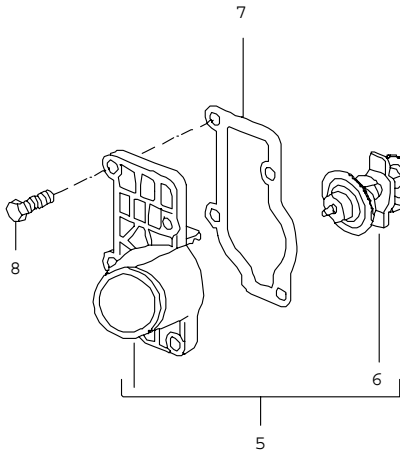
Pos	Part Number	Name	Remarks	Qty	Model
		crankcase bleeding			M96.05
1	996 107 026 50	oil separator		1	
2	999 707 507 40	o-ring 29,74 X 2,95		1	
3	900 385 275 09	torx screw BM 6 X 20		2	
4	997 107 147 02	vent line		1	
5	996 107 145 30	vent line		1	
6	996 107 047 01	connection piece		1	
7	999 707 364 40	sealing ring 30 X 2,5		1	
8	900 385 050 09	torx screw BM 6 X 16		3	
9	999 512 683 09	clip 23 X 12		2	
10	996 107 175 50	oil hose		1	
11	996 106 208 50	hose		1	
12	997 106 223 00	hose		1	
13	999 512 650 09	hose clamp B 14 X 12		4	
14	999 507 097 40	hose holder 25 / 20		1	
15	999 507 816 40	hose holder 25 / 16		1	
16	999 512 568 02	clamp 13,9 - 16,1		1	
17	996 106 226 52	socket		1	
18	999 512 633 00	clamp 15,6 - 17,8		1	
19	996 106 223 52	hose		1	
20	999 507 644 40	hose holder 26 / 13		1	
- - - E N D - - -					

Model	Year	MG	SG	Illustration	Restrictions	Update	13:10	17.11.2005	PORSCHE	PET	PORSCHE
997	06	1	04	104-11		194					



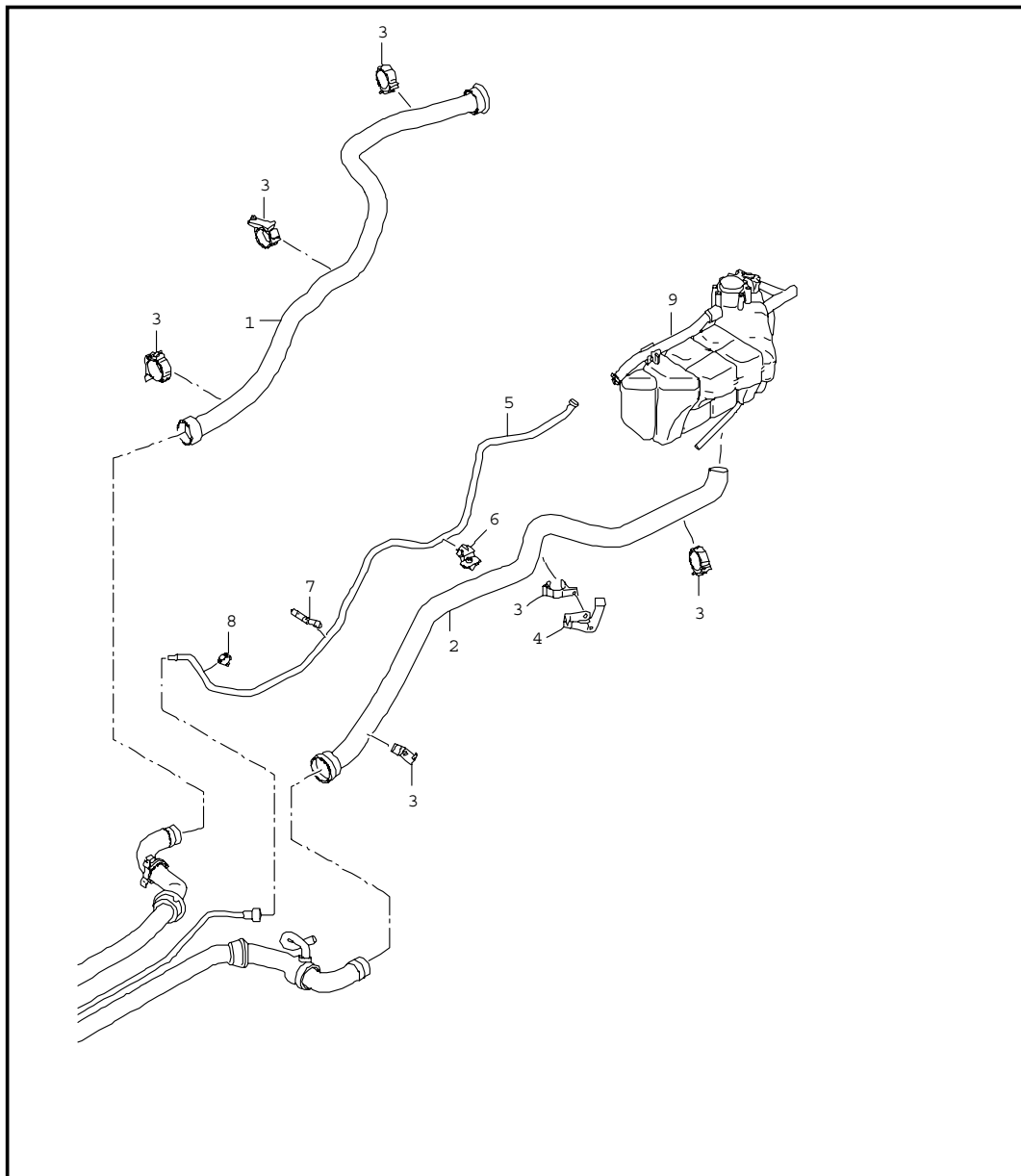
Pos	Part Number	Name	Remarks	Qty	Model
		crankcase bleeding			M97.01
1	997 107 038 00	oil separator		1	
2	900 331 053 40	o-ring 12,37 X 2,62		2	
3	997 107 338 01	support oil separator		1	
4	999 919 121 09	oval-head screw 5 X 16		2	
5	997 107 146 03	vent line cyl. 4 - 6		1	
6	997 107 547 00	support		1	
7	997 107 143 01	vent line cyl. 1 - 3		1	
8	997 107 145 02	line distributor tube		1	
9	997 107 138 00	oil separator		2	
10	997 107 538 00	gasket		2	
11	900 385 023 04	torx screw BM 6 X 25		4	
12	... ..	see illustrations 1/08/05		2	
		- - - E N D - - -			

Model	Year	MG	SG	Illustration	Restrictions	Update	13:11	17.11.2005	PORSCHE	PET	PORSCHE
997	06	1	05	105-00		194					



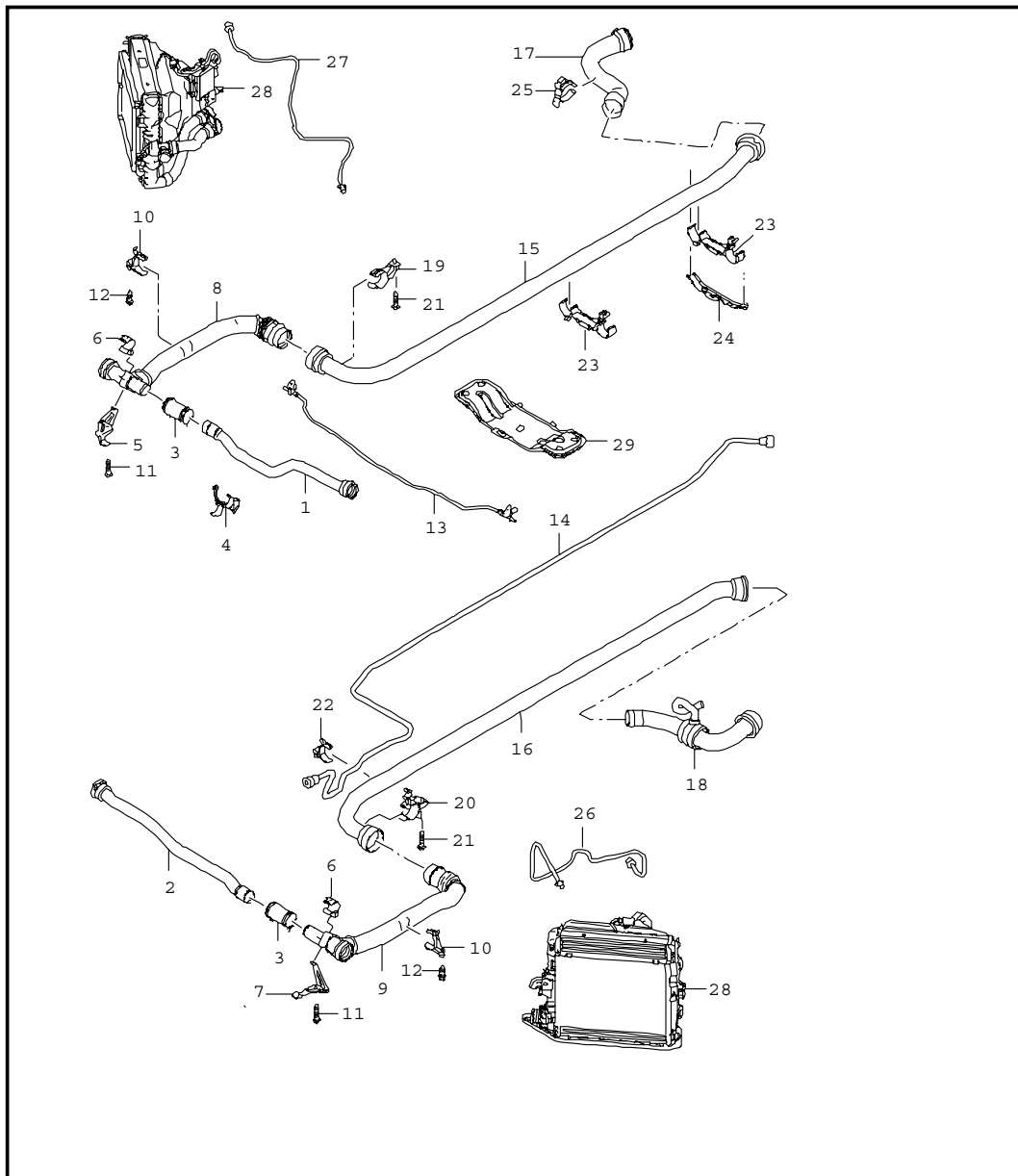
Pos	Part Number	Name	Remarks	Qty	Model
		water pump thermostat housing			M97.01 M96.05
1	997 106 011 02	water pump		1	
2	997 106 340 00	gasket		1	
3	900 385 023 04	torx screw M 6 X 25		5	
4	900 385 048 04	torx screw M 6 X 30		2	
5	996 106 013 57	thermostat with thermostat insert		1	
6	996 106 125 52	thermostat insert		1	
7	996 106 326 50	gasket		1	
8	900 385 019 09	torx screw M 6 X 20		4	
9	996 106 103 50	dowel sleeve 8,2 X 7		2	
- - - E N D - - -					

Model	Year	MG	SG	Illustration	Restrictions	Update	13:11	17.11.2005	PORSCHE	PET	PORSCHE
997	06	1	05	105-05		194					



Pos	Part Number	Name	Remarks	Qty	Model
		water cooling 1			M97.01 M96.05
1	997 106 610 00	cooling water tube supply right		1	
2	997 106 809 00	cooling water tube return left		1	
3	996 106 417 73	support cooling water tube		6	
4	997 106 609 00	support		1	
5	997 106 681 03	vent line		1	
6	997 106 581 01	support vent line		1	
7	999 507 961 41	cable holder vent line		1	
8	999 507 743 40	cable holder vent line		1	
9	... ..	see illustrations 1/05/20		X	
- - - E N D - - -					

Model	Year	MG	SG	Illustration	Restrictions	Update	13:11	17.11.2005	PORSCHE	PET	PORSCHE
997	06	1	05	105-10		194					

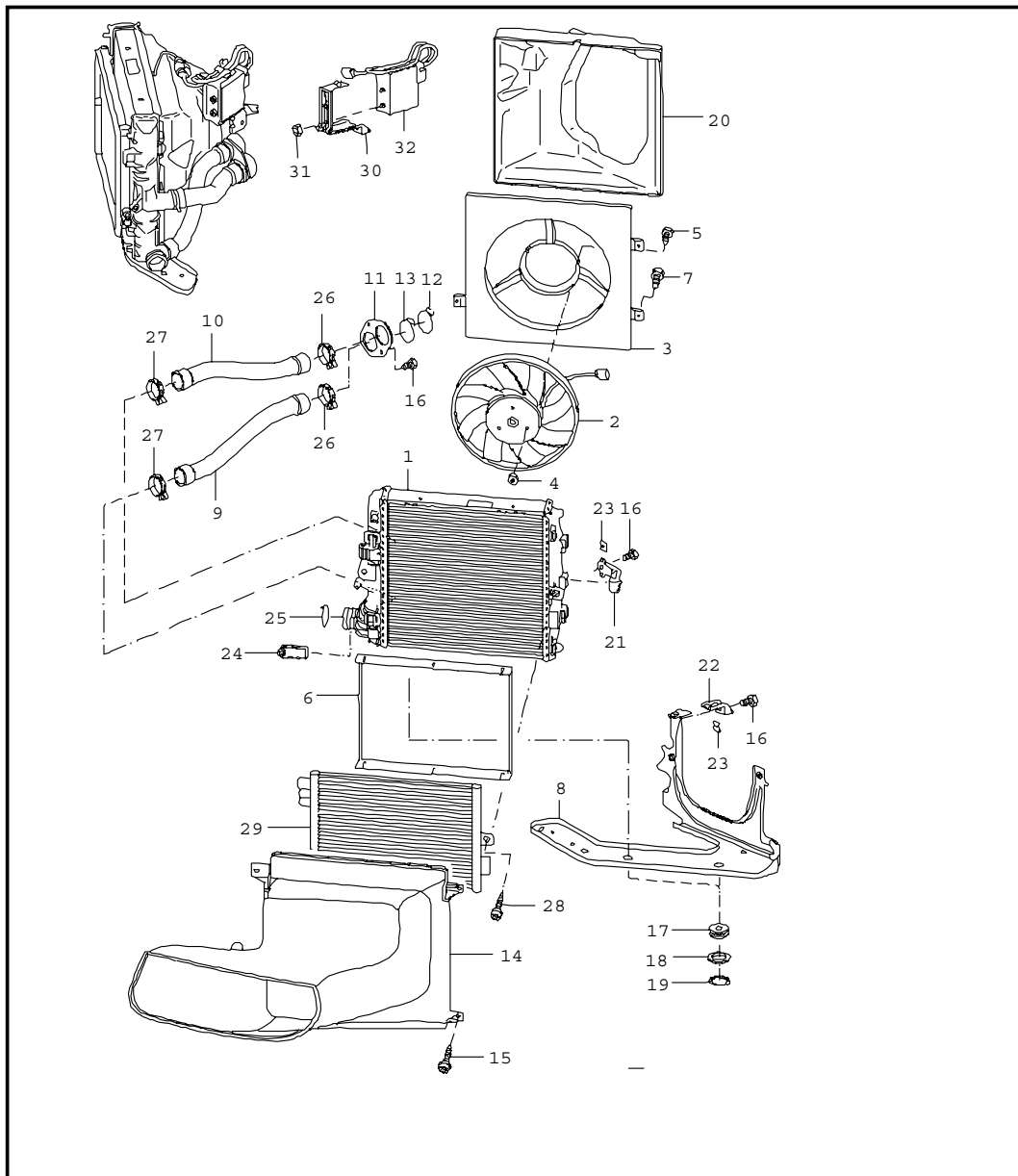


Pos	Part Number	Name	Remarks	Qty	Model
		water cooling 2			M97.01 M96.05
1	997 106 711 01	water tube cross tube supply		1	
2	997 106 720 01	water tube cross tube return		1	
3	997 106 723 04	water hose		2	
4	997 106 525 01	support water tube cross tube centre		1	
5	997 106 574 02	support distributor tube right		1	
6	997 106 526 01	support cross tube upper		2	
7	997 106 573 02	support distributor tube left		1	
8	997 106 751 03	distributor tube supply		1	
9	997 106 752 03	distributor tube return		1	
10	997 106 413 01	support distributor tube		2	
(10)	997 106 413 01	support distributor tube	/R	1	I601
(10)	997 106 414 00	support distributor tube	/L	1	I601
11	900 378 013 09	hexagon-head bolt M6 X 25		2	
12	900 378 036 09	hexagon-head bolt M6 X 12		2	
13	997 106 767 02	vent line transverse		1	
14	997 106 227 02	vent line tunnel		1	

Model	Year	MG	SG	Illustration	Restrictions	Update	13:11	17.11.2005	PORSCHE	PET	PORSCHE
997	06	1	05	105-10		194					

Pos	Part Number	Name	Remarks	Qty	Model	Pos	Part Number	Name	Remarks	Qty	Model
15	997 106 651 02	water tube supply tunnel		1							
16	997 106 652 02	return pipe tunnel		1							
17	997 106 740 04	water hose supply		1							
18	997 106 741 04	water hose return		1	I480						
(18)	997 106 742 03	water hose return		1	I249						
19	997 106 520 02	support bulkhead right		1							
20	997 106 521 01	support bulkhead left		1							
21	900 378 035 09	hexagon-head bolt M6 X 16		2							
22	997 106 512 03	connection piece vent line		1							
23	997 106 540 02	support tunnel		2							
24	997 106 515 02	bridge tunnel		1							
25	997 106 427 00	support heel plate		1							
26	997 106 765 02	line	/L	1							
27	997 106 766 02	line	/R	1							
28	... ..	see illustrations 1/05/15		X							
29	... ..	see illustrations 8/01/70		X							
		- - - E N D - - -									

Model	Year	MG	SG	Illustration	Restrictions	Update	13:11	17.11.2005	PORSCHE	PET	PORSCHE
997	06	1	05	105-15		194					

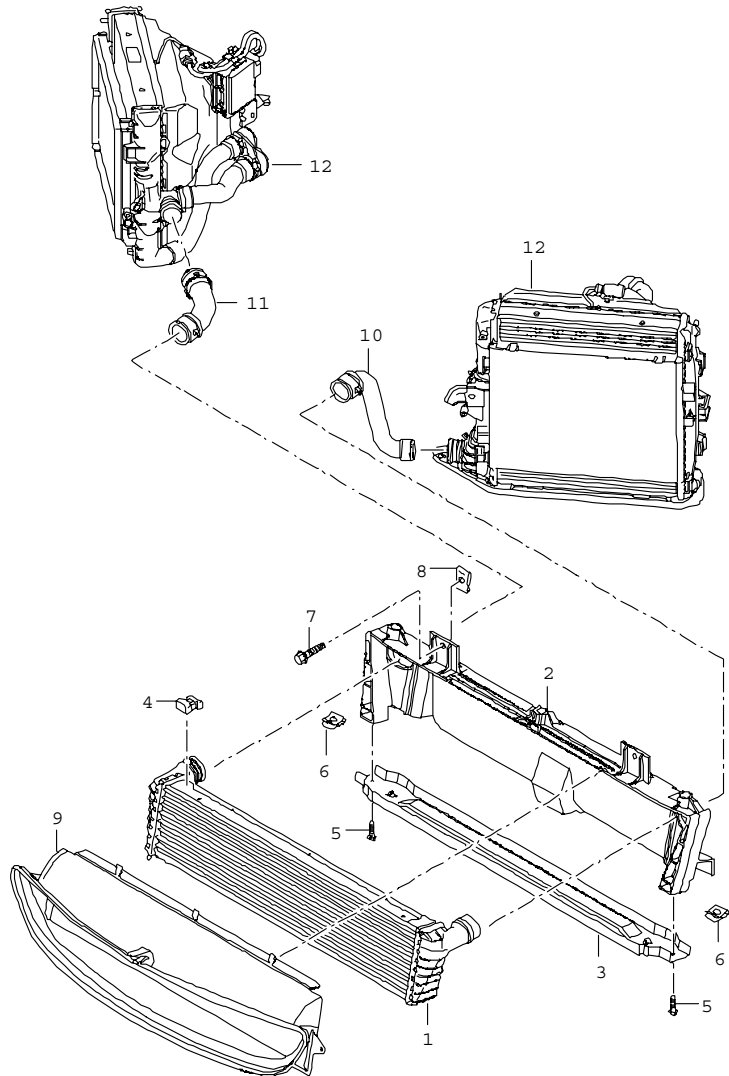


Pos	Part Number	Name	Remarks	Qty	Model
		water cooling 3			M97.01 M96.05
1	997 106 131 02	radiator	/L	1	
(1)	997 106 132 02	radiator	/R	1	
2	997 624 135 02	fan	/L	2	
(2)	997 624 136 02	fan	/R	2	
3	997 624 131 02	air box	/L	2	
(3)	997 624 132 02	air box	/R	2	
4	900 377 001 02	hexagon nut M 6		6	
5	900 146 116 09	screw M 5 X 16		6	
6	997 573 711 00	sealing frame		1	
7	999 919 125 09	hexagon-head bolt plastic material M 6 x 16		6	
8	997 106 155 01	bracket	/L	1	
(8)	997 106 156 01	bracket	/R	1	
9	997 106 621 03	water hose supply	/L	1	
(9)	997 106 622 03	water hose supply	/R	1	
10	997 106 625 03	water hose return	/L	1	
10	997 106 626 03	water hose return	/R	1	
11	997 106 255 02	connecting piece		2	
12	997 106 802 01	spring SCB 33		1	
13	997 106 802 02	spring SCB 36		1	
14	997 575 321 00	air duct	/L	1	
(14)	997 575 322 00	air duct	/R	1	
15	999 919 134 09	oval-head screw M 6 X 16		6	

Model	Year	MG	SG	Illustration	Restrictions	Update	13:11	17.11.2005	PORSCHE	PET	PORSCHE
997	06	1	05	105-15		194					

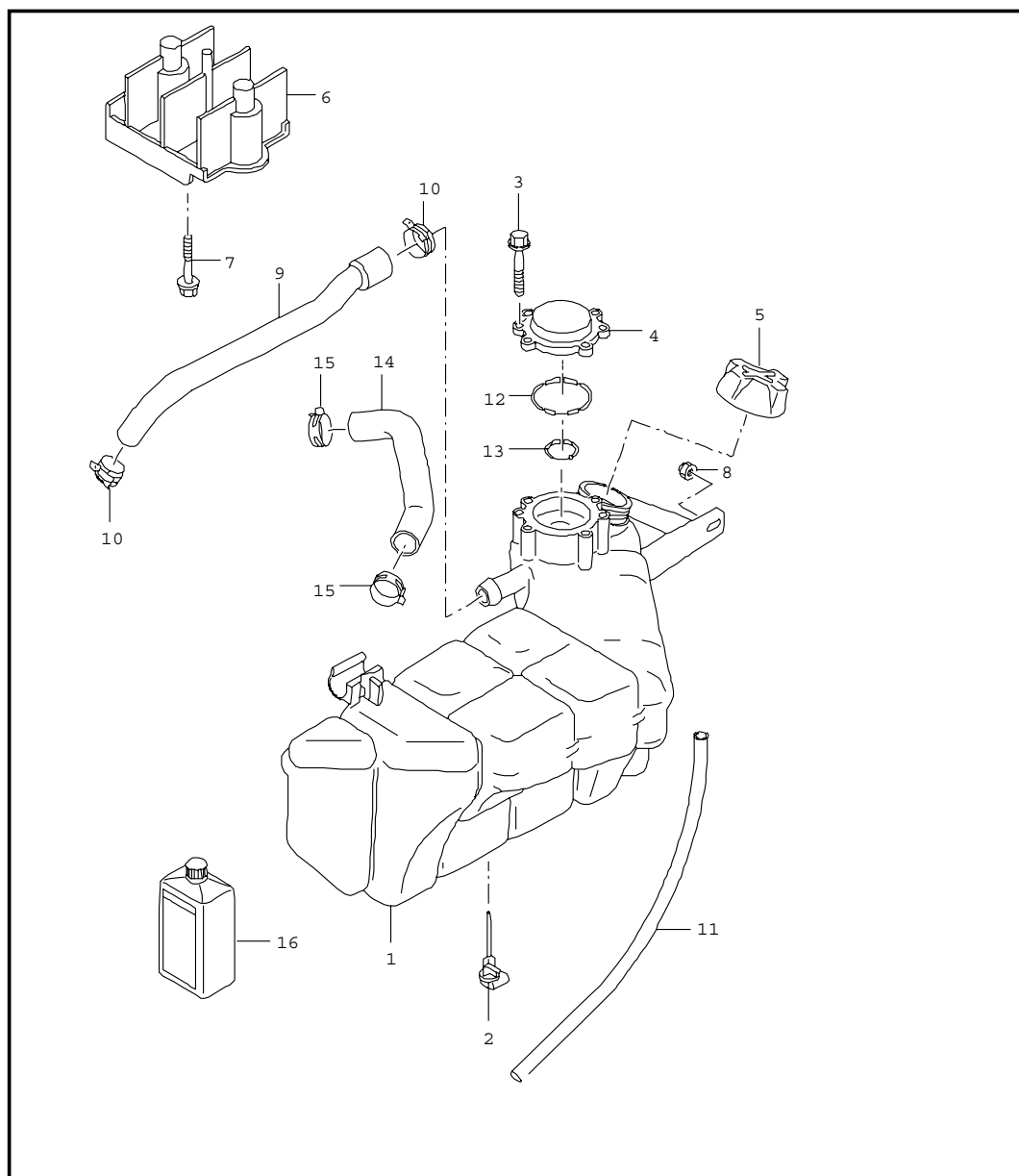
Pos	Part Number	Name	Remarks	Qty	Model	Pos	Part Number	Name	Remarks	Qty	Model
16	900 385 009 09	torx screw M 6 X 16		6							
17	999 703 494 40	rubber mounting 15 X 19,5		6							
18	999 025 255 02	washer		4							
19	999 166 083 09	tab washer B 25		4							
20	997 575 341 00	air duct	/L	1							
(20)	997 575 342 00	air duct	/R	1							
21	997 106 232 01	support outer		2							
22	997 106 455 00	support left		1							
23	999 591 350 02	speed nut ST 4,8		6							
24	997 106 231 02	support inner		2							
25	997 106 802 00	spring SCB 26		2							
29	---	condenser see illustrations 8/13/25									
30	997 106 456 00	support right		1							
31	900 377 010 09	hexagon nut M 6		2							
32	---	control unit cooling air control		1							
--	... ..	see illustrations 9/01/03		X							
		- - - E N D - - -									

Model	Year	MG	SG	Illustration	Restrictions	Update	13:11	17.11.2005	PORSCHE	PET	PORSCHE
997	06	1	05	105-17		194					



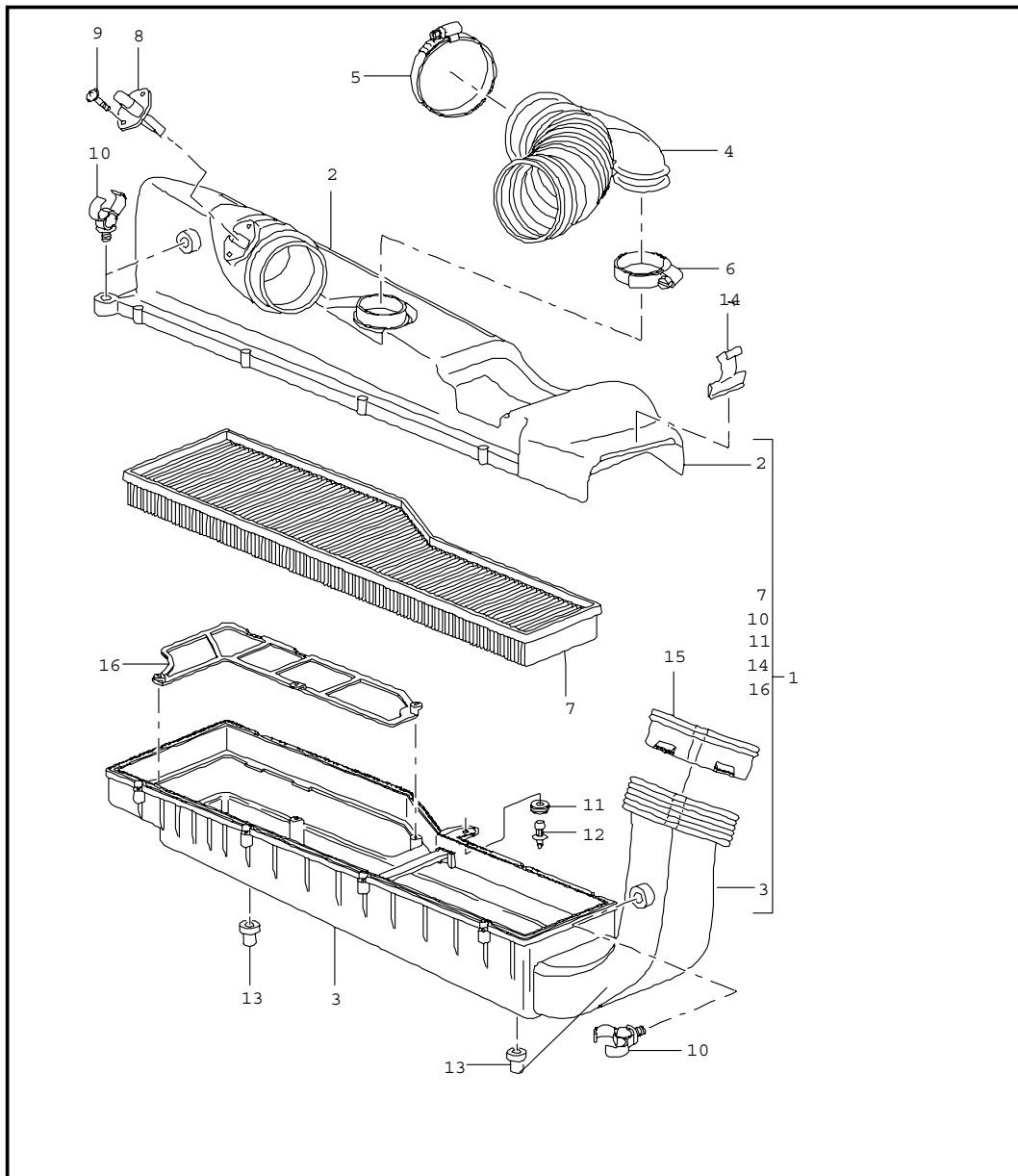
Pos	Part Number	Name	Remarks	Qty	Model
		radiator	I 249		M97.01
		centre	I 249		M96.05
1	997 106 037 02	radiator		1	
2	997 504 487 00	retaining frame upper		1	
3	997 504 485 00	retaining frame lower		1	
4	997 106 437 00	rubber mounting		4	
5	900 378 035 09	hexagon-head bolt M 6 X 16		2	
6	999 591 882 02	speed nut M 6		2	
7	900 378 074 09	hexagon-head bolt M 8 X 16		4	
8	999 591 869 02	speed nut M 8		4	
9	997 575 141 00	air duct radiator centre		1	
10	997 106 639 03	water hose return		1	
11	997 106 638 03	water hose supply		1	
12	... ..	see illustrations 1/05/15		X	
- - - E N D - - -					

Model	Year	MG	SG	Illustration	Restrictions	Update	13:12	17.11.2005	PORSCHE	PET	PORSCHE
997	06	1	05	105-20		194					



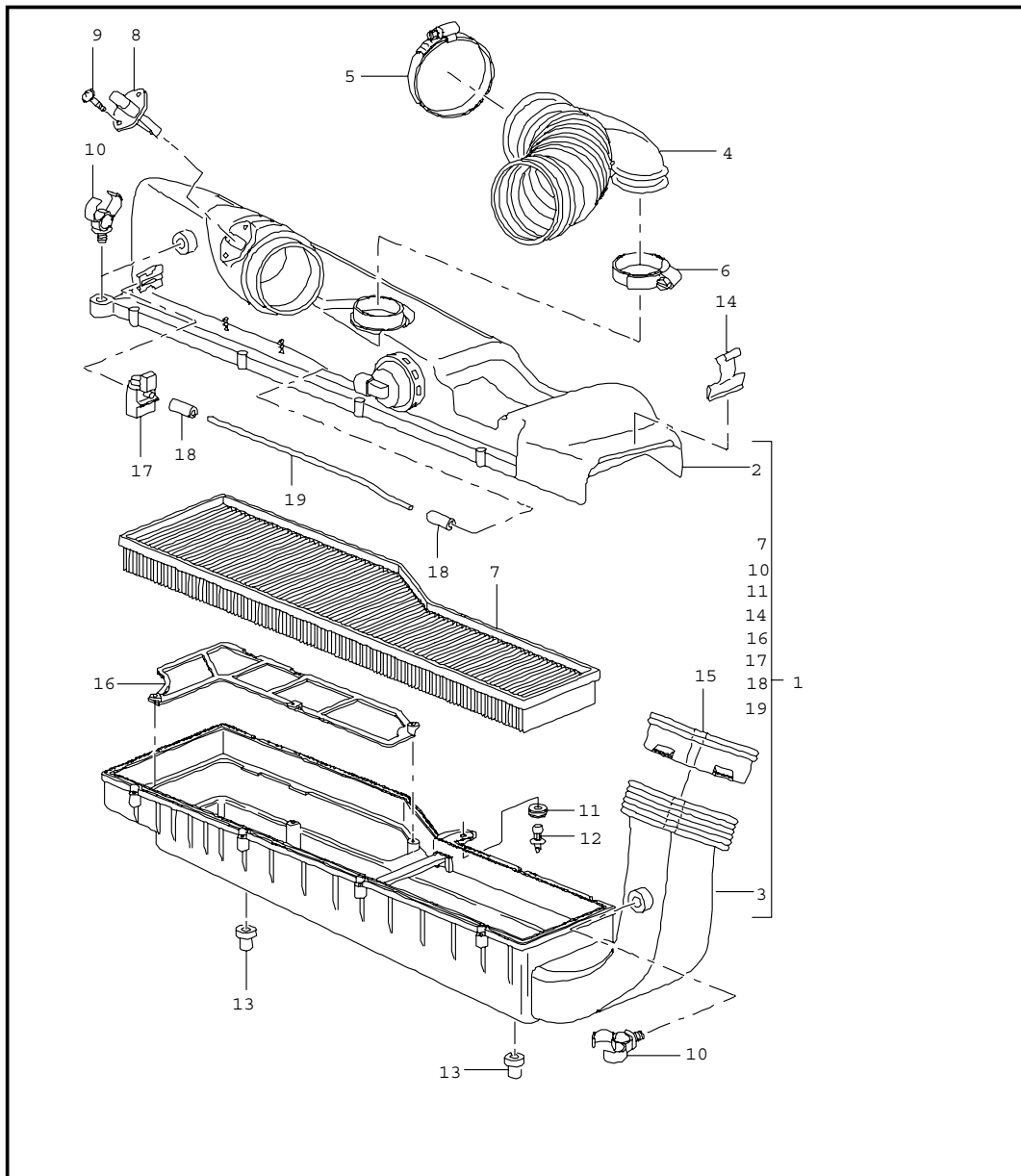
Pos	Part Number	Name	Remarks	Qty	Model
		water cooling 4			M97.01 M96.05
1	996 106 157 03	water reservoir		1	
2	996 641 503 00	switch		1	
3	999 919 058 02	hexagon-head bolt 5,0 X 40		8	
4	996 106 347 01	bleeder valve		1	
5	996 106 447 01	cover		1	
6	996 106 405 52	support		1	
7	900 378 168 09	hexagon-head bolt M 6 X 30		2	
8	999 076 071 02	hexagon nut M 6		1	
9	996 106 251 71	breather hose		1	
10	999 512 657 09	hose clamp 26 X 12		1	
11	996 106 297 00	overflow hose		1	
12	999 707 370 40	o-ring 47 X 4		1	
13	999 707 371 40	o-ring 17 X 4		1	
14	997 106 851 01	water hose		1	
16	000 043 203 78	antifreeze protection 1 LTR. container		X	
		- - - E N D - - -			

Model	Year	MG	SG	Illustration	Restrictions	Update	13:12	17.11.2005	PORSCHE	PET	PORSCHE
997	06	1	06	106-00		194					



Pos	Part Number	Name	Remarks	Qty	Model
		air cleaner			M96.05
1	997 110 023 00	air cleaner complete		1	
(1) N	997 110 923 01	air cleaner complete		1	
2	997 110 121 01	air cleaner upper part		1	
3	997 110 122 01	air cleaner lower part		1	
4	---	air box see illustrations 1/07/00			
5	999 512 016 00	hose clamp 80 - 100		1	
6	999 512 636 00	hose clamp 40 - 60		1	
7	996 110 131 52	air cleaner cartridge		1	
8	986 606 125 01	mass air flow		1	
9	999 919 160 07	oval-head screw M 5 X 20		2	
10	999 507 544 40	cable holder		2	
11	999 702 246 40	grommet 12 X 17		1	
12	997 110 137 01	clip		1	
13	999 703 478 40	grommet		1	
15	997 110 250 00	sealing bellows		1	
16	997 110 240 00	frame		1	
		--- E N D ---			

Model	Year	MG	SG	Illustration	Restrictions	Update	13:12	17.11.2005	PORSCHE	PET	PORSCHE
997	06	1	06	106-01		194					

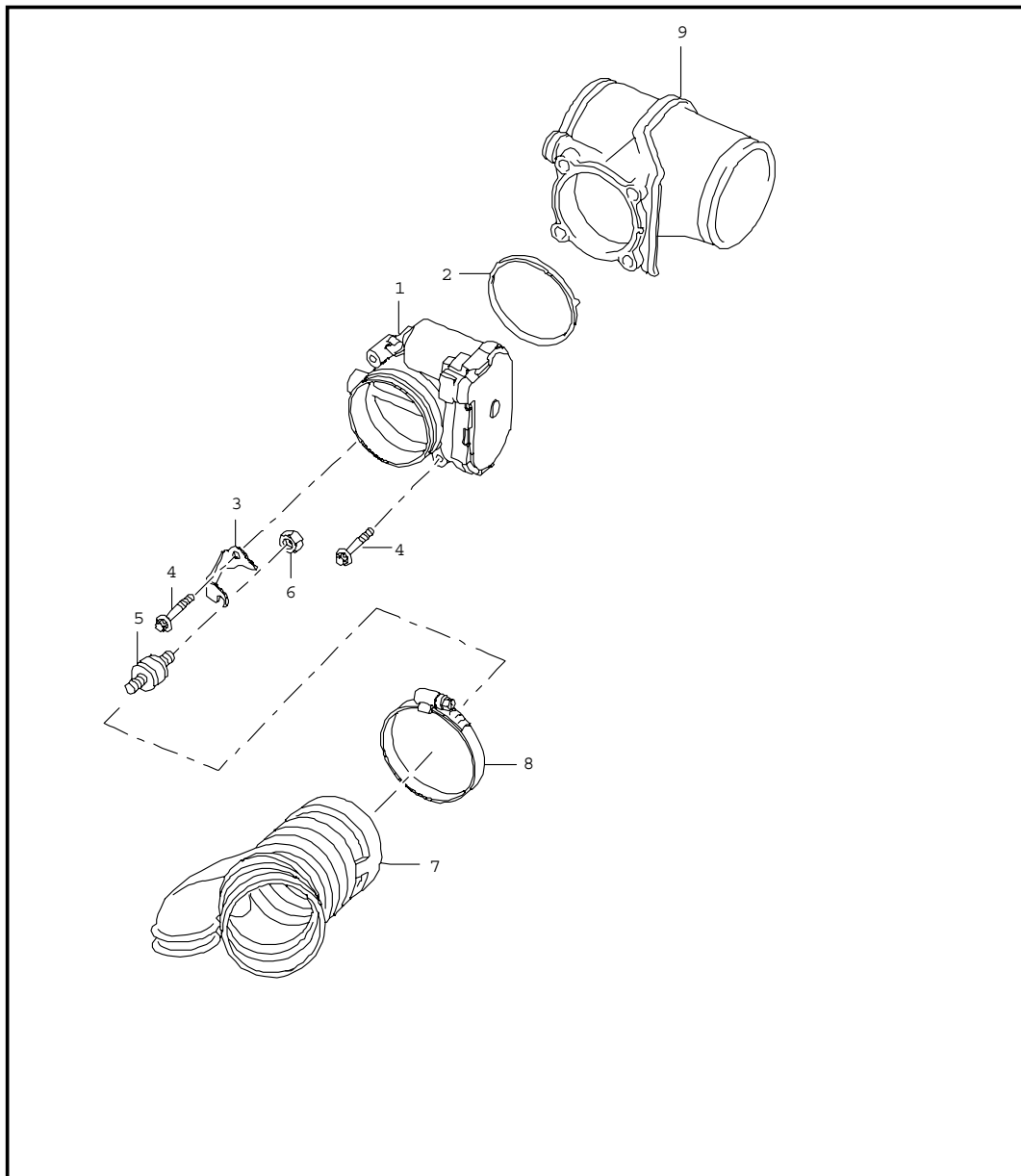


Pos	Part Number	Name	Remarks	Qty	Model
		air cleaner			M97.01
1	997 110 021 00	air cleaner complete		1	
1	997 110 921 00	air cleaner complete without mass air flow		1	
(1) N	997 110 921 01	air cleaner complete without mass air flow		1	
1	997 110 925 00	air cleaner complete without mass air flow	06-	1	M97.01 X51
2	997 110 121 00	air cleaner upper part		1	
3	997 110 122 00	air cleaner lower part		1	
4	---	air box			
-	... ..	see illustrations 1/07/00		X	
5	999 512 016 00	hose clamp 80 - 100		1	
6	999 512 636 00	hose clamp 40 - 60		1	
7	996 110 131 52	air cleaner cartridge		1	
7	997 110 132 00	air cleaner cartridge	06-	1	M97.01 X51
8	986 606 125 01	mass air flow		1	
9	999 919 160 07	oval-head screw M 5 X 20		2	
10	999 507 544 40	cable holder		2	
11	999 702 246 40	grommet 12 X 17		1	
12	997 110 137 01	clip		1	
13	999 703 478 40	grommet		1	
14	997 110 237 00	clamp		1	
15	997 110 250 00	sealing bellows		1	

Model	Year	MG	SG	Illustration	Restrictions	Update					
997	06	1	06	106-01		194	13:12	17.11.2005	PORSCHE	PET	PORSCHE

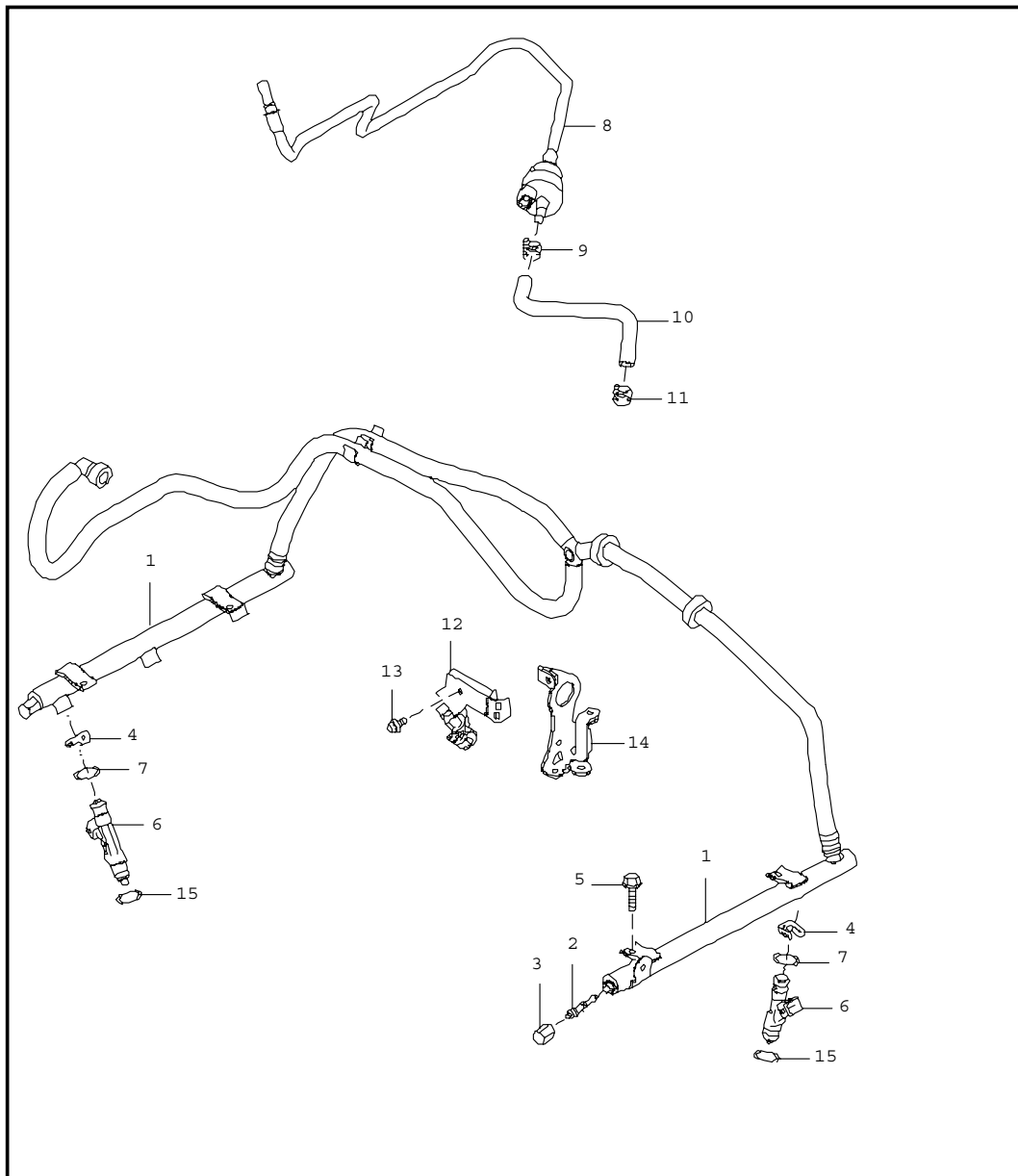
Pos	Part Number	Name	Remarks	Qty	Model	Pos	Part Number	Name	Remarks	Qty	Model
(15)	997 110 252 00	sealing bellows right	06-	1	M97.01 X51						
16	997 110 240 00	frame		1							
17	996 605 123 01	change-over valve		1							
18	999 239 040 40	connecting piece		2							
19	999 181 369 40	pipe		1							
		- - - E N D - - -									

Model	Year	MG	SG	Illustration	Restrictions	Update	13:12	17.11.2005	PORSCHE	PET	PORSCHE
997	06	1	07	107-00		194					



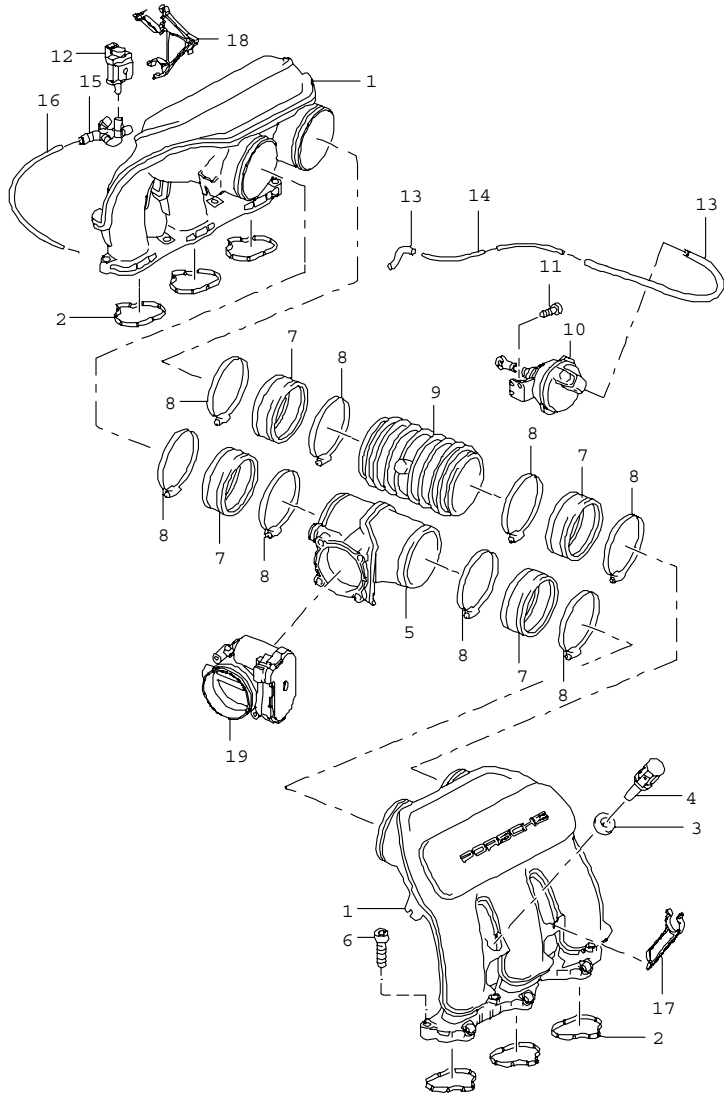
Pos	Part Number	Name	Remarks	Qty	Model
		throttle body			M97.01
1	996 605 115 01	throttle body		1	
(1) N	997 605 116 00	throttle body	06-	1	M97.01 X51
2	996 110 319 00	sealing ring distributor tube		1	
3	997 110 423 02	bracket		1	
(3) N	997 110 423 40	bracket	06-	1	M97.01 X51
4	900 385 025 04	hexagon-head bolt M 6 X 40		4	
(4) N	900 385 125 01	torx screw M 6 x 45	06-	4	M97.01 X51
5	999 703 349 00	rubber mounting		1	
6	900 377 010 04	hexagon-head bolt M 6		1	
7	997 110 223 00	air box		1	
7	997 110 221 00	air box		1	
(7)	997 110 225 00	air box	06-	1	M97.01 X51
8	999 512 016 00	hose clamp 80 - 100/12		1	
9	---	distributor tube			
-	... ..	see illustrations 1/07/10		X	
- - - E N D - - -					

Model	Year	MG	SG	Illustration	Restrictions	Update	13:13	17.11.2005	PORSCHE	PET	PORSCHE
997	06	1	07	107-05		194					



Pos	Part Number	Name	Remarks	Qty	Model
		fuel collection pipe			M97.01 M96.05
1	997 110 031 03	fuel collection pipe		1	
2	993 110 217 00	valve		2	
3	997 110 218 00	cap		2	
4	996 110 113 52	retaining clip		6	
5	900 385 041 09	torx screw M 6 X 12		4	
6	997 605 122 00	injector valve		6	
7	999 707 574 40	o-ring 7,52 X 3,51		6	
8	997 110 129 00	vent line		1	M97.01
(8)	997 110 129 40	vent line	06-	1	M97.01 X51
8	997 110 128 01	vent line		1	M96.05
9	999 512 650 09	hose clamp		1	
10	997 110 127 00	hose		1	M96.05
11	999 512 651 09	hose clamp B 15 X 12		1	
12	996 101 223 00	support		1	
13	900 385 279 09	hexagon-head bolt M6 X 12 MK		1	
14	996 101 213 56	holder		1	
15	999 707 573 40	o-ring 8,3 X 3,05		6	
- - - E N D - - -					

Model	Year	MG	SG	Illustration	Restrictions	Update	13:13	17.11.2005	PORSCHE	PET	PORSCHE
997	06	1	07	107-10		194					

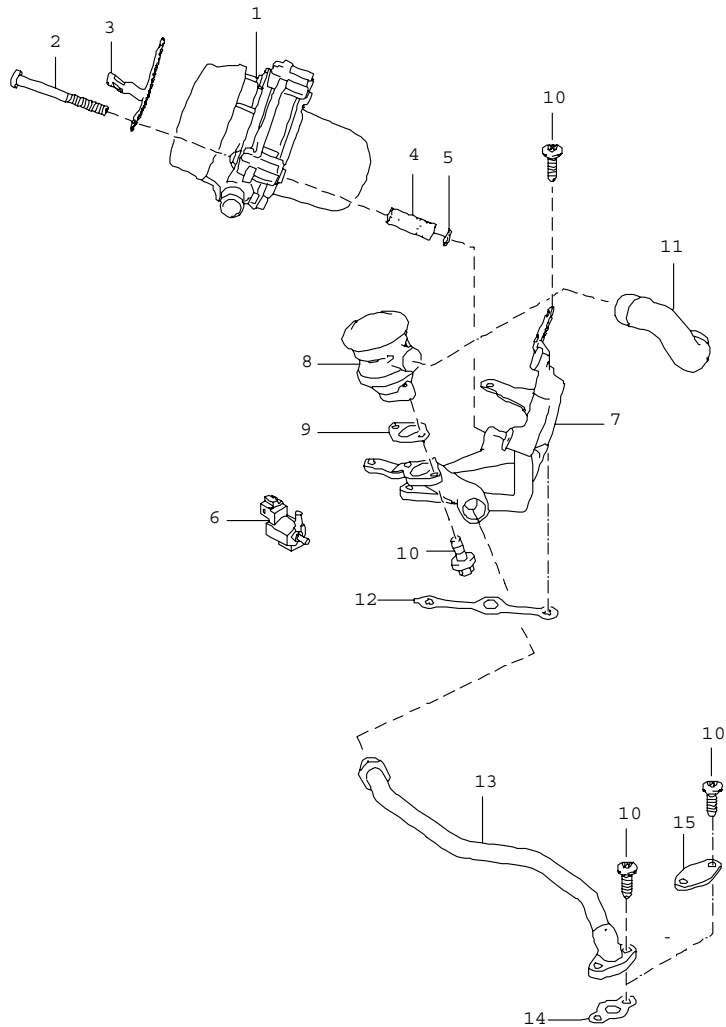


Pos	Part Number	Name	Remarks	Qty	Model
		intake distributor			M97.01
1	997 110 115 03	intake distributor		2	
(1)	997 110 115 40	intake distributor	06-	2	M97.01 X51
2	996 110 247 50	gasket		6	
2	997 110 247 00	gasket		6	
3	993 110 530 01	grommet		1	
4	997 606 213 00	temperature sensor		1	
5	997 110 416 03	distributor tube		1	
(5) N	997 110 416 40	distributor tube	06-	1	M97.01 X51
6	900 385 017 04	hexagon-head bolt M 6 X 35		8	
7	997 110 685 00	rubber sleeve		4	
7	997 110 685 40	rubber sleeve	06-	4	M97.01 X51
8	999 512 539 00	hose clamp 90 - 110/9		8	
9	996 110 120 53	resonance tube		1	
10	993 110 462 02	vacuum unit		1	
11	900 146 123 02	screw M 5 X 16		2	
12	996 605 123 01	change-over valve		1	
13	928 574 717 03	hose		1	
14	---	hose 4,0 X 1		*	
15	928 573 729 03	distributing piece fourfold		1	
16	---	hose 4,0 X 1		1	
17	... ..	see illustrations 1/04/11		1	
18	997 110 547 00	support lines		1	
19	---	see illustrations 1/07/00			

Model	Year	MG	SG	Illustration	Restrictions	Update	13:13	17.11.2005	PORSCHE	PET	PORSCHE
997	06	1	07	107-10		194					

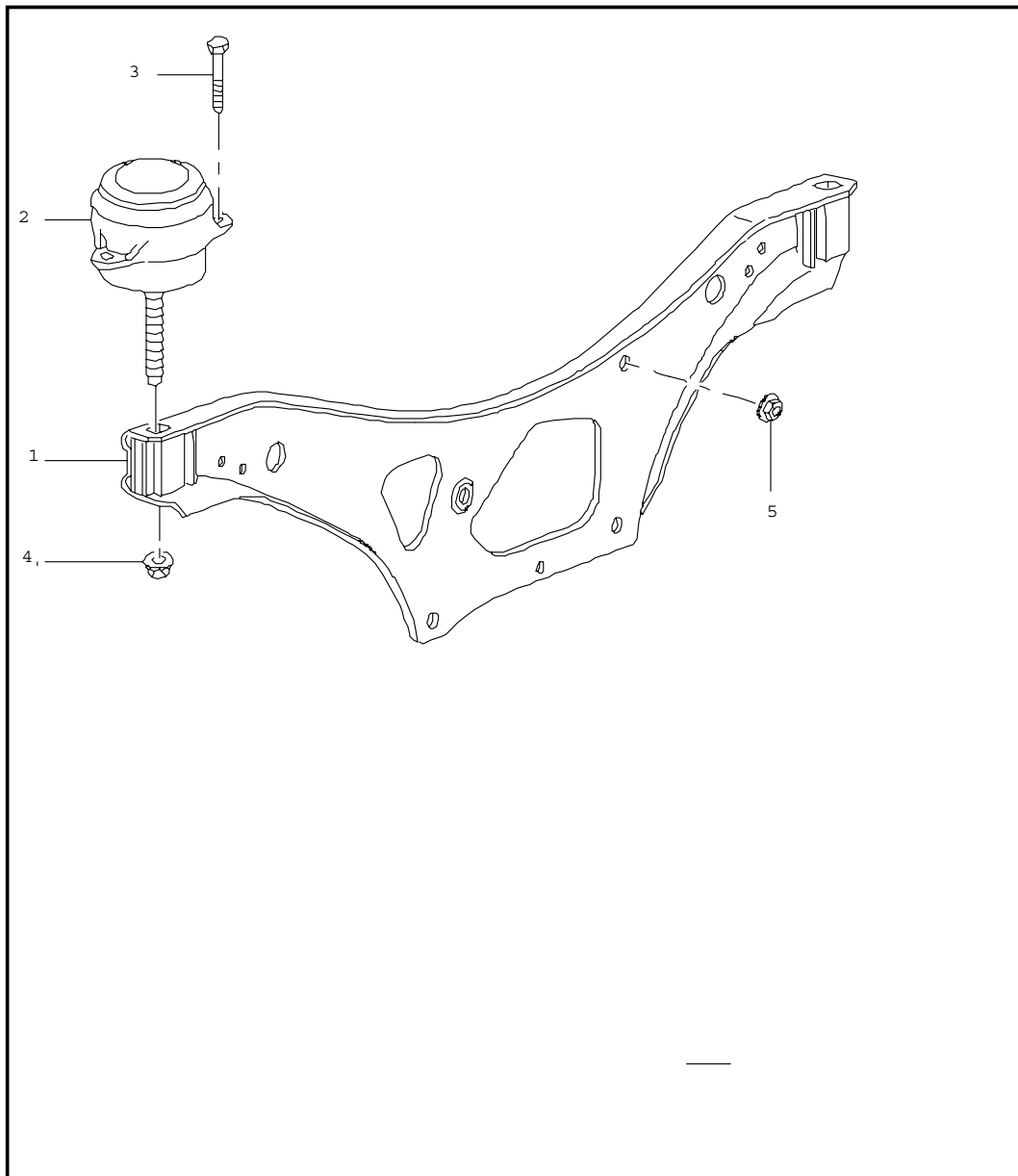
Pos	Part Number	Name	Remarks	Qty	Model	Pos	Part Number	Name	Remarks	Qty	Model
--	N 997 110 433 40	support change-over valve	06-	2	M97.01 X51						
		- - - E N D - - -									

Model	Year	MG	SG	Illustration	Restrictions	Update	13:13	17.11.2005	PORSCHE	PET	PORSCHE
997	06	1	08	108-05		194					



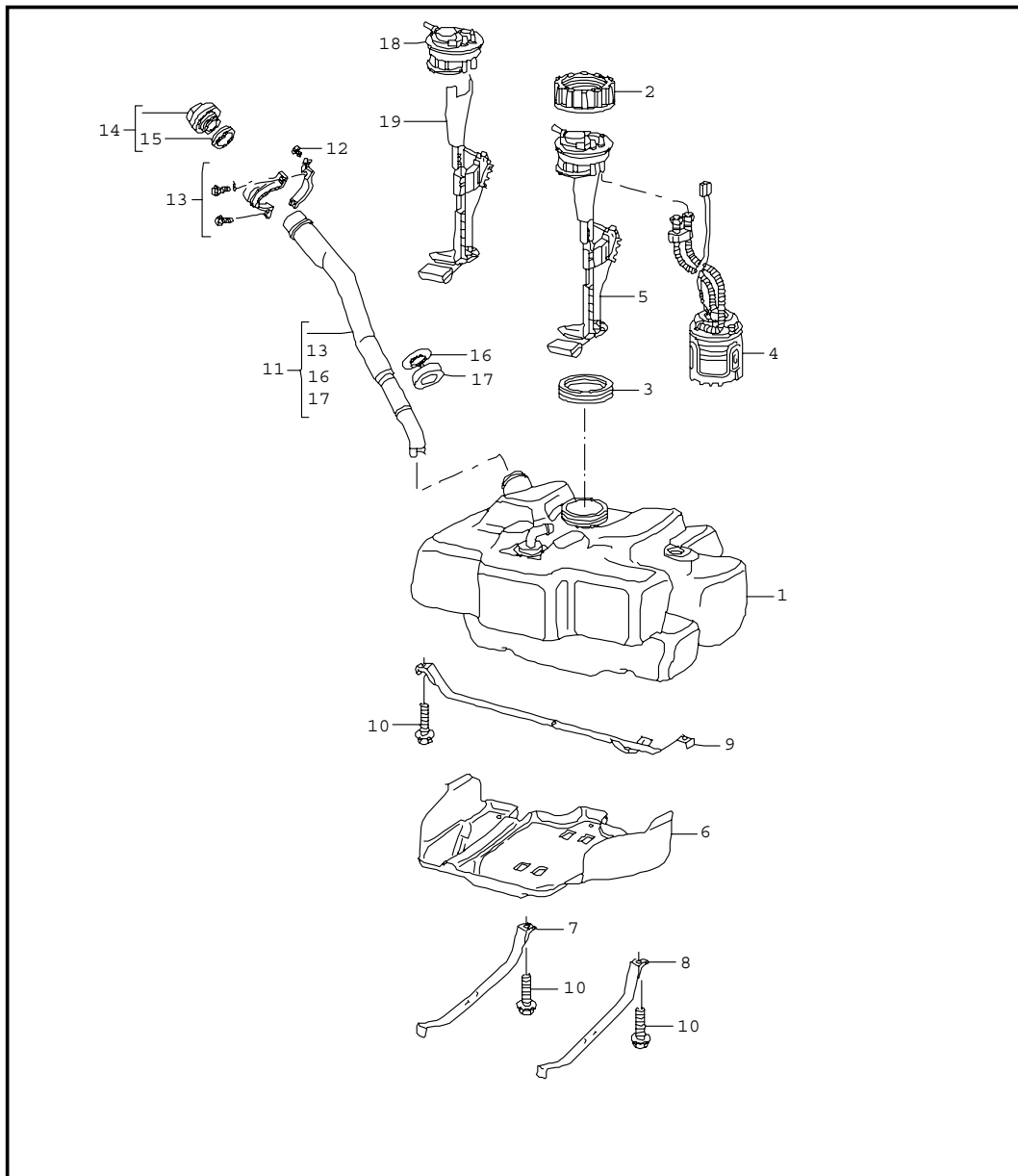
Pos	Part Number	Name	Remarks	Qty	Model
		air injection			M97.01 M96.05
1	997 605 104 00	secondary pump		1	I661
2	955 113 325 00	oval-head screw M 6 X 50		2	M97.01
(2)	955 113 325 00	oval-head screw M 6 X 50		3	I661
3	997 110 429 02	support tank ventilation		1	M97.01
(3)	997 110 429 40	support tank ventilation		1	M97.01/IX51
4	999 703 868 40	rubber mounting 8,76 X 33,3		3	I661
5	999 209 077 02	spacer sleeve 6,5 X 1		2	M97.01
(5)	999 209 077 02	spacer sleeve 6,5 X 1		3	I661
6	996 605 123 01	change-over valve		1	
7	997 113 137 01	bracket secondary pump		1	
8	948 113 203 51	valve		1	I661
9	993 113 258 51	gasket		1	I661
10	999 073 344 04	round head screw M 6 X 20		5	
(10)	999 073 344 04	round head screw M 6 X 20		7	I661
11	997 113 339 02	hose		1	I661
12	997 113 233 01	gasket bracket		1	I661
(12)	997 113 233 02	gasket bracket		1	
13	997 113 117 01	connecting line		1	I661
14	996 113 213 51	gasket		1	
15	997 113 340 00	cover		1	
- - - E N D - - -					

Model	Year	MG	SG	Illustration	Restrictions	Update	13:13	17.11.2005	PORSCHE	PET	PORSCHE
997	06	1	09	109-00		194					



Pos	Part Number	Name	Remarks	Qty	Model
		engine suspension			M97.01 M96.05
1	997 375 011 01	engine carrier		1	
2	997 375 049 03	hydraulic mount		2	
3	900 378 055 09	hexagon-head bolt M 8 X 40		4	
4	999 084 215 09	hexagon nut M 12 X 1,5		2	
5	999 076 053 09	hexagon nut M 10		4	
		- - - E N D - - -			

Model	Year	MG	SG	Illustration	Restrictions	Update	13:13	17.11.2005	PORSCHE	PET	PORSCHE
997	06	2	01	201-00		194					

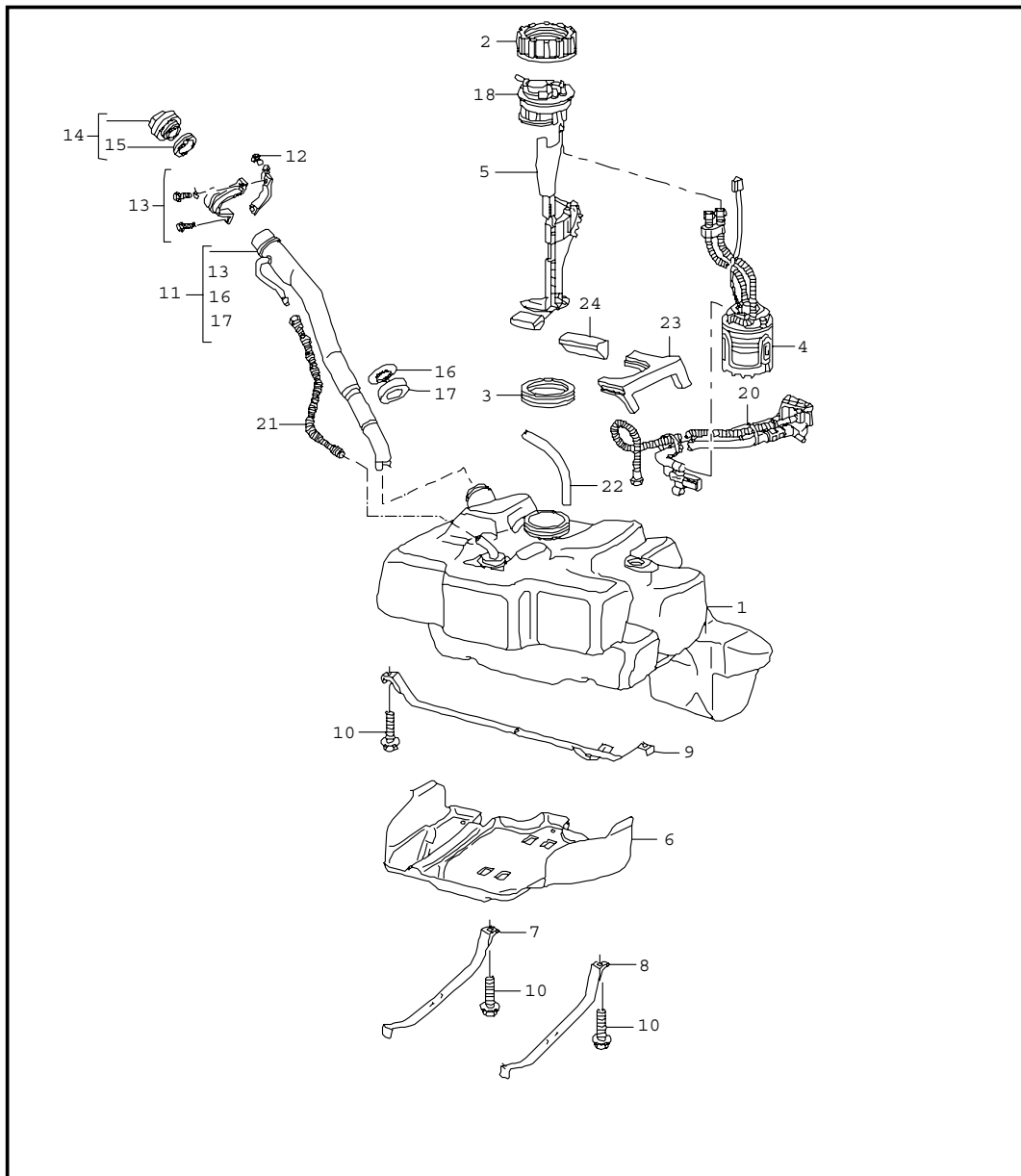


Pos	Part Number	Name	Remarks	Qty	Model
		fuel tank			I 338
1	997 201 021 00	fuel tank		1	I 664
-	997 201 543 00	pipe inner		1	I 664
2	997 201 623 00	union nut		1	I 664
3	997 201 733 00	sealing ring		1	I 664
4	997 620 131 00	fuel pump		1	I 664
6	997 201 331 02	protective plate	/LL	1	
7	996 201 106 02	restraining strap right		1	
8	996 201 105 02	restraining strap left		1	
9	997 201 107 01	restraining strap		1	I 664
10	900 075 479 09	screw M 8 X 40		4	
11	997 201 043 02	filler neck F >>995S7 16899		1	I 664
11	997 201 043 08	filler neck F 995S7 16900>>		1	I 664
		use also: F >>995S7 16899 997.201.951.01		1	
12	999 015 025 09	lens-head screw M 6 X 12 F >>995S7 16899		1	
(12)	999 073 348 09	oval-head screw M 6 X 12 F 995S7 16900>>		1	
13	997 201 951 01	support complete F >>995S7 16899		1	I 664
13	997 201 951 02	support complete F 995S7 16900>>		1	
14	996 201 241 03	fuel tank cap with clip		1	
-	999 507 499 40	expansion rivet		1	

Model	Year	MG	SG	Illustration	Restrictions	Update	13:13	17.11.2005	PORSCHE	PET	PORSCHE
997	06	2	01	201-00		194					

Pos	Part Number	Name	Remarks	Qty	Model	Pos	Part Number	Name	Remarks	Qty	Model
15	191 201 557	gasket		1							
16	996 201 755 00	support washer		1							
17	996 201 753 00	gasket		1							
18	997 201 421 00	flange for tank gauge		1	I 664						
19	997 620 831 02	tank gauge without flange		1	I 664						
		- - - E N D - - -									

Model	Year	MG	SG	Illustration	Restrictions	Update	13:14	17.11.2005	PORSCHE	PET	PORSCHE
997	06	2	01	201-01		194					

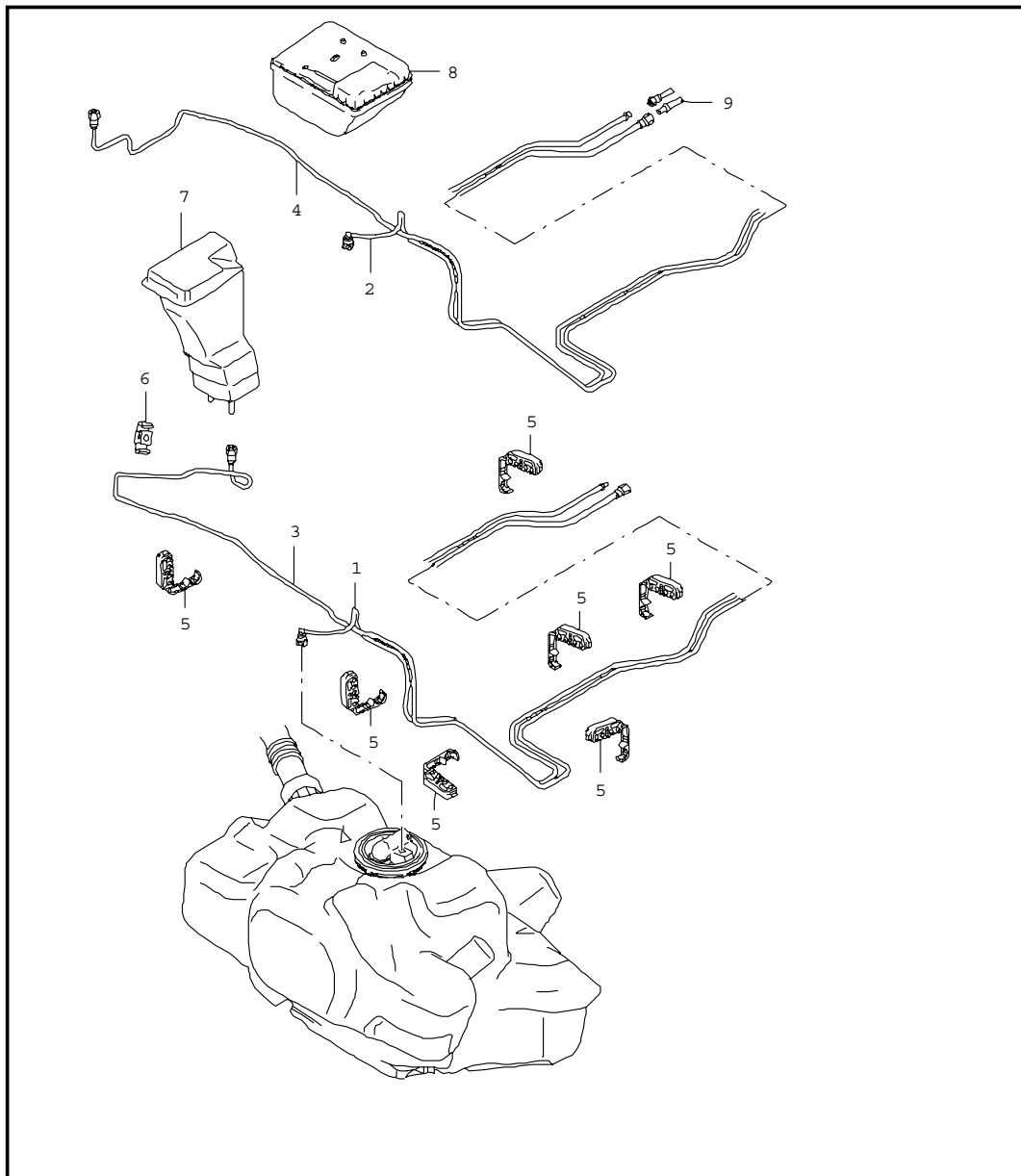


Pos	Part Number	Name	Remarks	Qty	Model
		fuel tank			I 339
1	997 201 021 02	fuel tank		1	I 664
-	997 201 543 01	pipe inner		1	I 664
2	997 201 623 00	union nut		1	
3	997 201 733 00	sealing ring		1	
4	997 620 135 00	fuel pump		1	I 664
5	997 620 833 00	tank gauge without flange		1	
6	997 201 331 00	protective plate		1	
7	997 201 106 00	restraining strap right		1	
8	997 201 105 00	restraining strap left		1	
9	997 201 107 00	restraining strap		1	
10	900 075 479 09	screw M 8 X 40		4	
(11)	997 201 043 11	filler neck		1	I 664
12	999 073 348 09	oval-head screw		1	
13	997 201 951 02	support		1	
14	996 201 241 03	fuel tank cap with clip		1	
-	999 507 499 40	expansion rivet		1	
15	191 201 557	gasket		1	
16	996 201 755 00	support washer		1	
17	996 201 753 00	gasket		1	
18	997 201 421 02	flange for tank gauge		1	I 664
20	997 620 113 00	venturi tube		1	

Model	Year	MG	SG	Illustration	Restrictions	Update					
997	06	2	01	201-01		194	13:14	17.11.2005	PORSCHE	PET	PORSCHE

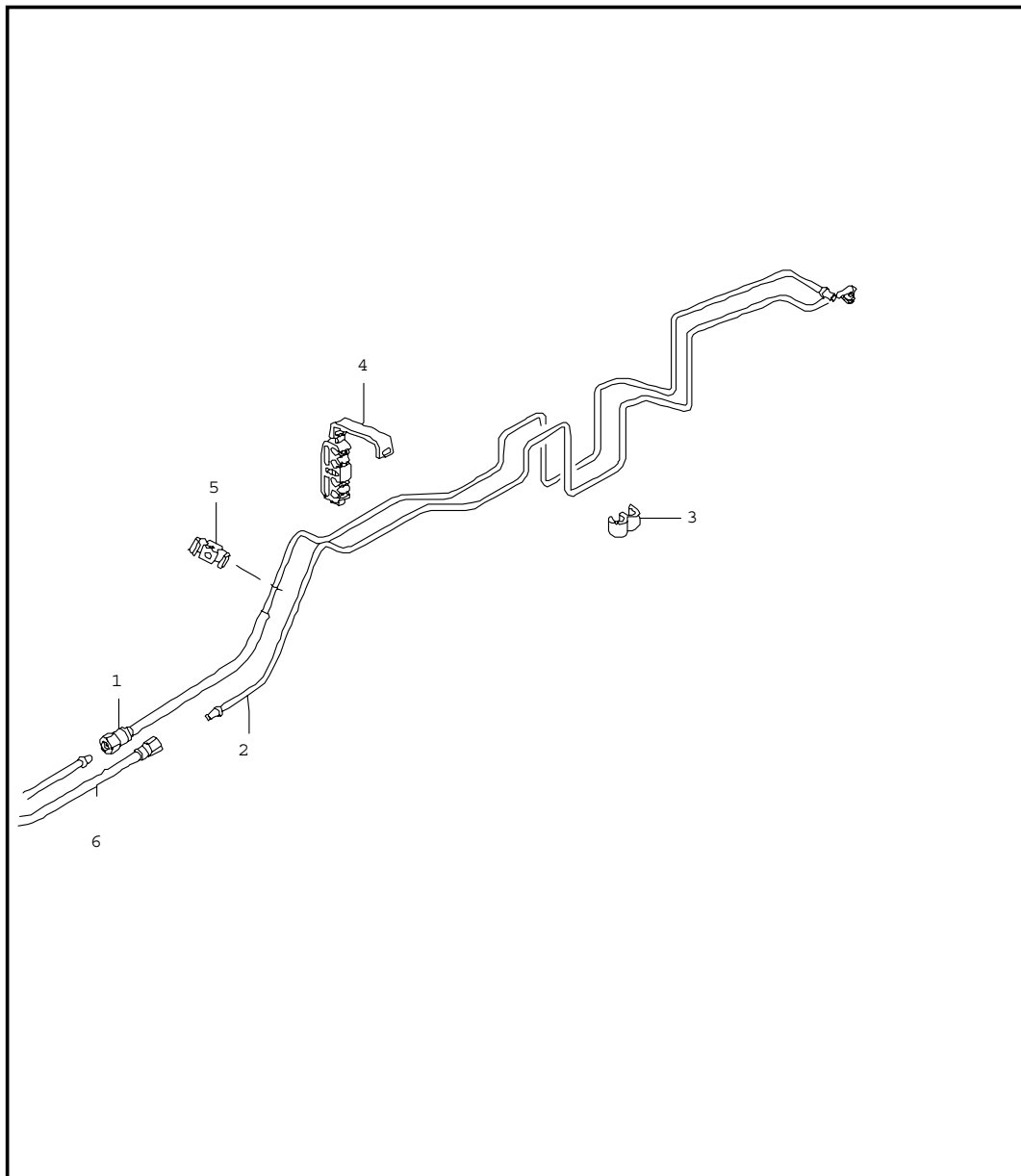
Pos	Part Number	Name	Remarks	Qty	Model	Pos	Part Number	Name	Remarks	Qty	Model
(22)	997 201 721 00	vent line in-tank fuel pump to inner pipe		1							
23	997 201 811 00	foam part		1	I 664						
24	997 201 813 00	foam part		1	I 664						
		- - - E N D - - -									

Model	Year	MG	SG	Illustration	Restrictions	Update	13:14	17.11.2005	PORSCHE	PET	PORSCHE
997	06	2	01	201-05		194					



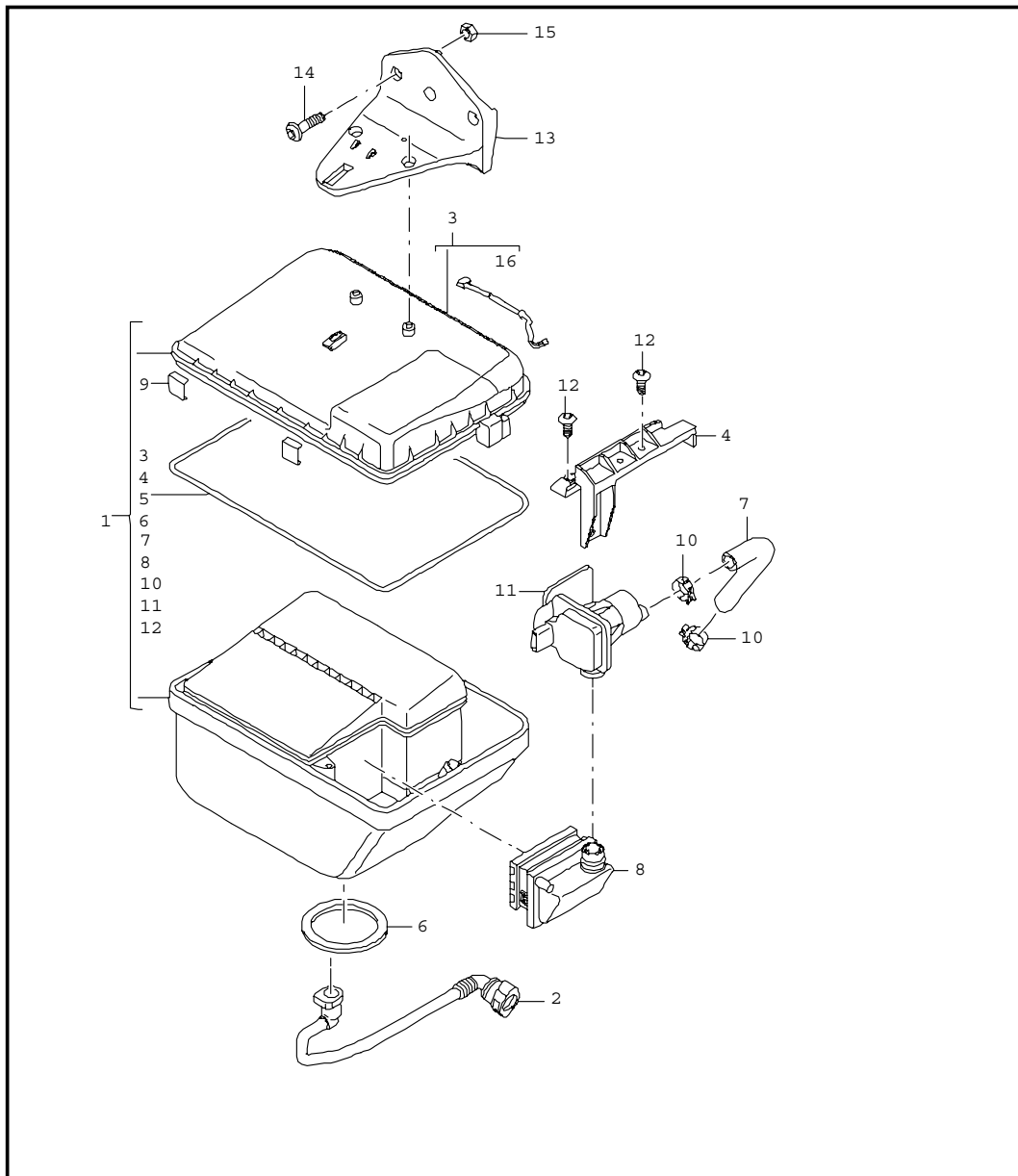
Pos	Part Number	Name	Remarks	Qty	Model
		fuel system front			I 338
(1)	997 201 261 03	fuel line front fuel pump for engine		1	I 339
2	997 201 261 00	fuel line front fuel pump for engine		1	I 338 I 664
4	997 201 351 00	purge-air line front carbon canister for engine		1	I 338 I 664
(4)	997 201 351 01	purge-air line front carbon canister for engine		1	I 339 I 664
5	999 507 521 40	cable holder 8,0/8/10		8	
-	999 507 488 40	cable holder 5,00/10,0		1	I 338
8	...	carbon canister see illustrations 201-30		1	
9	...	lines rear see illustrations 201-10		1	
- - - E N D - - -					

Model	Year	MG	SG	Illustration	Restrictions	Update	13:14	17.11.2005	PORSCHE	PET	PORSCHE
997	06	2	01	201-10		194					



Pos	Part Number	Name	Remarks	Qty	Model
		fuel system rear			
1	997 201 265 00	fuel line rear fuel pump for engine		1	
2	997 201 355 00	air tube rear carbon canister for engine		1	
(3)	999 507 488 40	cable holder 5,00/10,0		4	
(4)	999 507 521 40	cable holder 8,0/8/10		1	
(5)	999 507 727 40	cable holder 8,0/10,0		3	
6	... ..	lines front see illustrations 201-05		1	
- - - E N D - - -					

Model	Year	MG	SG	Illustration	Restrictions	Update	13:14	17.11.2005	PORSCHE	PET	PORSCHE
997	06	2	01	201-30		194					

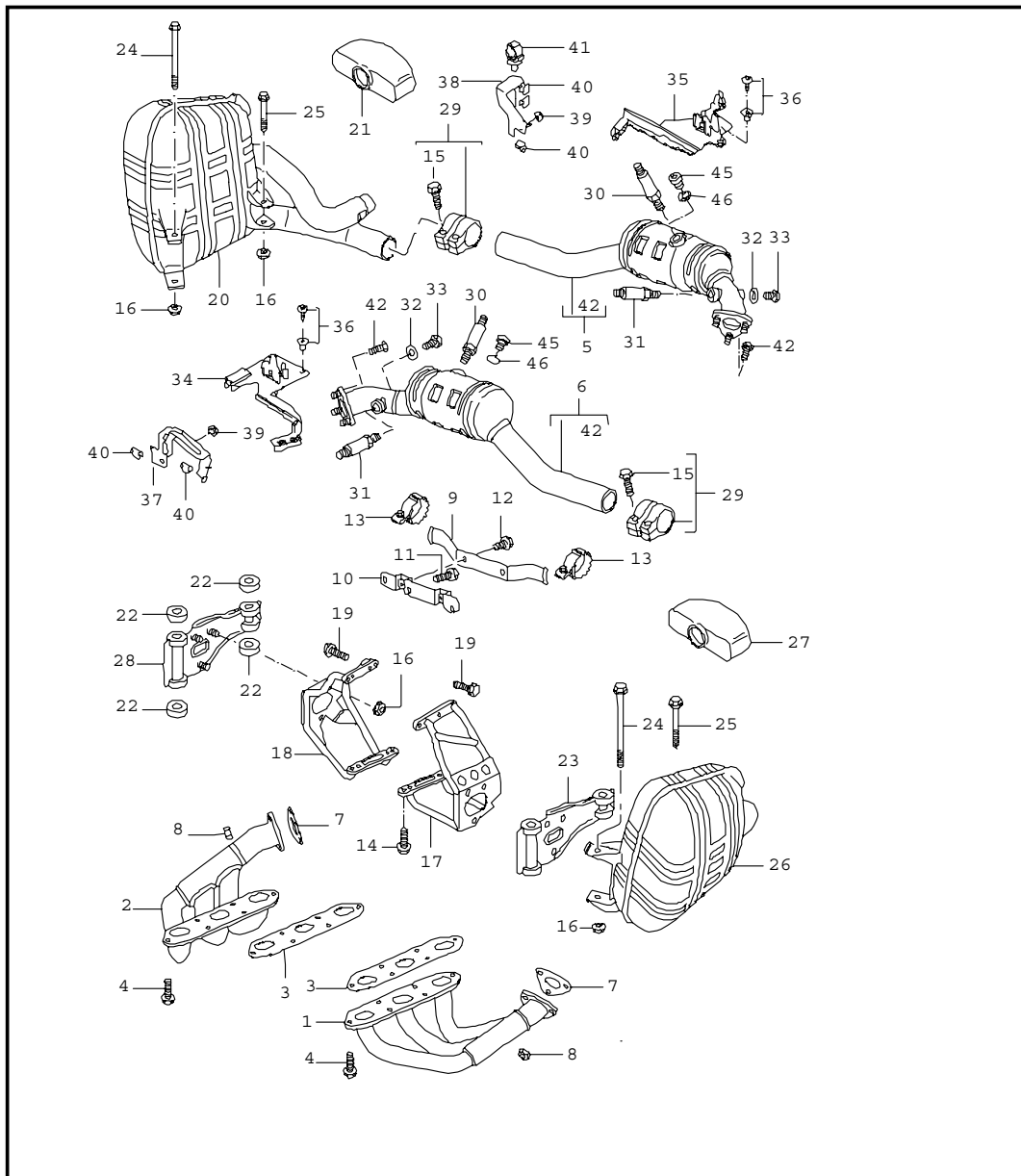


Pos	Part Number	Name	Remarks	Qty	Model
		carbon canister ORVR			I 664
		ONBOARD REFUELING VAPOR RECOVERY			
1	997 201 221 03	carbon canister complete		1	
		use also:			I 338
		F >>995S7 40628		1	
		997.201.253.02		1	
2	997 201 253 02	vent line fuel tank for carbon canister		1	I 338
(2)	997 201 253 03	vent line fuel tank for carbon canister		1	I 339
3	997 201 401 00	cover outer		1	
		use also:			
		F 99857 65411>>			M97.01 CABRIOLET
		F 99457 42229>>			M97.01 COUPE
		F 99257 55444>>			M96.05 CABRIOLET
		F 99357 17535>>			M96.05 COUPE
		997.605.125.01		1	
4	997 201 411 00	support diagnostic		1	
5	997 201 601 00	gasket housing		1	
6	997 201 631 00	gasket lower		1	
7	997 201 621 00	hose diagnostic		1	
8	997 201 501 00	filter		1	
9	999 507 818 09	clamp		6	
10	999 512 108 09	hose clamp		2	

Model	Year	MG	SG	Illustration	Restrictions	Update	13:14	17.11.2005	PORSCHE	PET	PORSCHE
997	06	2	01	201-30		194					

Pos	Part Number	Name	Remarks	Qty	Model	Pos	Part Number	Name	Remarks	Qty	Model
11	A 997 605 125 00	indicator diagnostic		1							
(11)	997 605 125 01	indicator diagnostic		1							
12	999 919 164 09	oval-head screw M 5 X 12		7							
13	997 201 611 00	support carbon canister		1	I 338						
(13)	997 201 611 01	support carbon canister		1	I 339						
14	999 073 321 09	oval-head screw M 6 X 25		2	I 338						
(14)	999 919 716 09	oval-head screw M 8 X 18		2	I 339						
15	999 500 069 02	blind rivet nut M 6/0 5-3		2	I 338						
16	A 997 612 669 02	wiring harness for indicator		1							
-	---	purge-air line front		1							
--	... ..	see illustrations 201-05		X							
		- - - E N D - - -									

Model	Year	MG	SG	Illustration	Restrictions	Update	13:14	17.11.2005	PORSCHE	PET	PORSCHE
997	06	2	02	202-00		194					

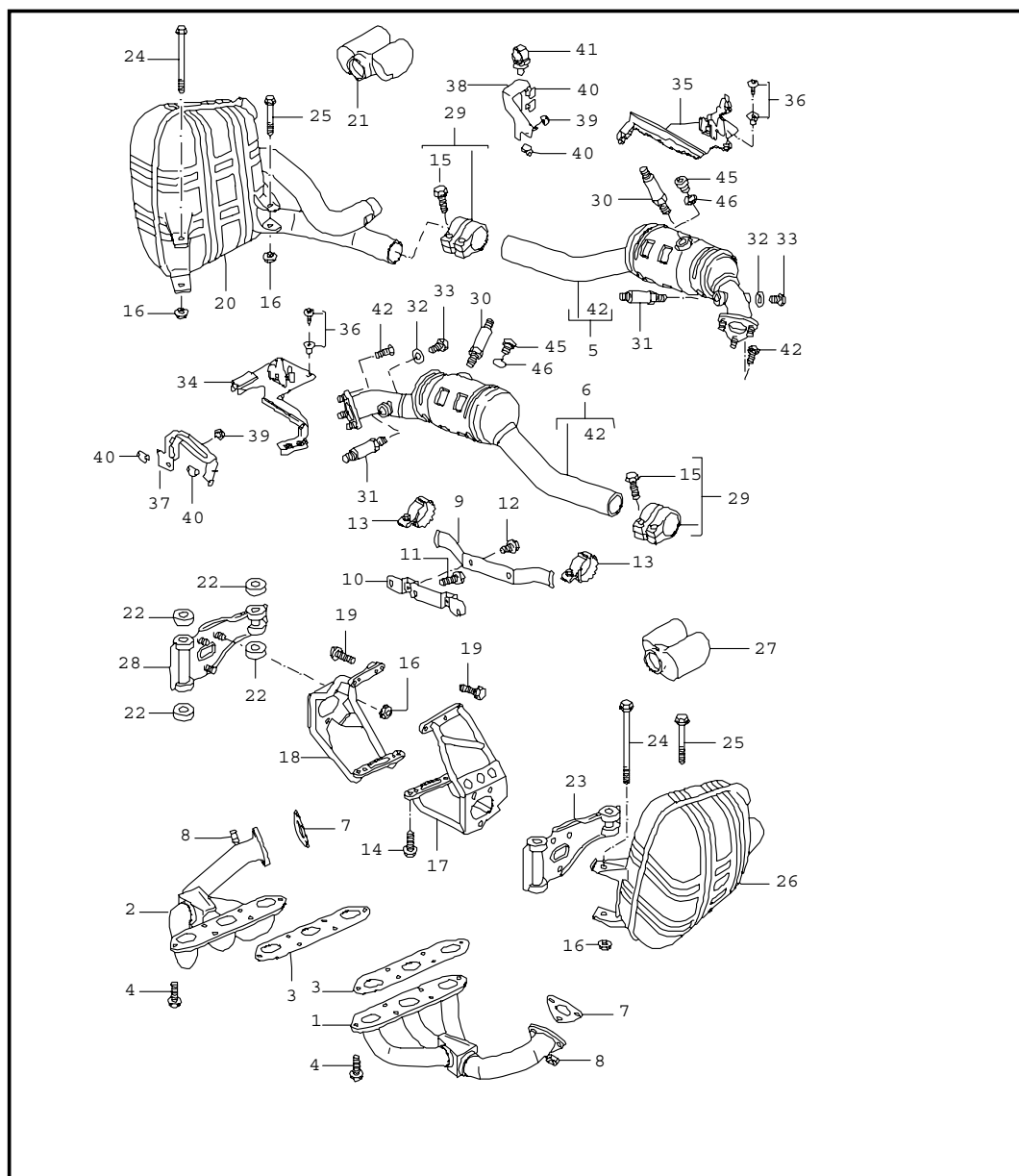


Pos	Part Number	Name	Remarks	Qty	Model
		exhaust system			M96.05
1	997 111 103 01	exhaust manifold cyl. 1 - 3		1	
2	997 111 104 01	exhaust manifold cyl. 4 - 6		1	
3	996 111 107 55	gasket exhaust manifold		2	
4	999 075 074 00	hexagon-head bolt M 8 X 26		12	
5	997 113 033 02	catalytic converter cyl. 1 - 3		1	
(5)	997 113 035 00	catalytic converter cyl. 1 - 3	06-	1	
6	997 113 034 02	catalytic converter cyl. 4 - 6		1	
(6)	997 113 036 00	catalytic converter cyl. 4 - 6	06-	1	
7	997 111 113 00	gasket		2	
8	999 084 046 02	lock nut M 8		6	
9	996 113 123 55	support	-05	1	
10	996 113 223 50	bracket		1	
11	900 385 019 04	torx screw M 6 X 20		1	
12	900 378 123 09	hexagon-head bolt M 8 X 12		2	
13	997 111 230 01	clip	-05	2	
14	900 385 098 09	screw M 8 X 30 lower		4	
15	900 378 055 09	hexagon-head bolt M 8 X 40		4	
16	900 380 005 09	hexagon nut M 8		10	
17	996 111 127 60	support		1	
18	996 111 128 57	support		1	

Model	Year	MG	SG	Illustration	Restrictions	Update	13:14	17.11.2005	PORSCHE	PET	PORSCHE
997	06	2	02	202-00		194					

Pos	Part Number	Name	Remarks	Qty	Model	Pos	Part Number	Name	Remarks	Qty	Model
19	900 385 096 09	screw M 8 X 30 upper		4		(35)	997 606 157 01	cable guide oxygen sensor	06-	1	
20	997 111 221 02	muffler		1	I 660	36	999 591 941 40	expander nut 4,2		4	
(21)	997 111 151 00	tail pipe	/R	1		37	996 606 158 04	cable holder line oxygen sensor	-05	1	
22	996 111 229 01	damping piece		8		(37)	997 606 148 01	support line oxygen sensor	06-	1	
23	996 111 237 03	support		1		38	996 606 157 07	cable holder line oxygen sensor	-05	1	
24	900 378 183 09	hexagon-head bolt M 8 X 140		2		(38)	997 606 147 01	support line oxygen sensor	06-	1	
25	900 378 105 09	hexagon-head bolt M 8 X 70		2		39	900 377 010 04	hexagon-head bolt M 6		2	
26	997 111 222 02	muffler		1	I 660	40	999 651 386 02	cable clamp	-05	6	
(27)	997 111 152 00	tail pipe	/L	1		(40)	999 651 394 40	cable holder	06-	4	
28	996 111 238 03	support		1		41	999 511 239 40	cable holder	-05	1	
29	997 111 520 00	clamping sleeve		2		42	900 075 365 02	screw M 8 X 30		X	
30	996 606 178 01	oxygen sensor after catalytic converter	-05	2							
30	997 606 177 01	oxygen sensor after catalytic converter	06-	2							
31	996 606 168 01	oxygen sensor in front of catalytic converter	-05	2							
31	997 606 168 01	oxygen sensor in front of catalytic converter	06-	2	I 660						
32	900 123 050 20	sealing ring 8 X 11,5		2	I 660						
33	900 124 021 05	screw plug M 8 X 1		2	I 660						
34	996 606 156 00	cable guide oxygen sensor	-05	1							
(34)	997 606 156 01	cable guide oxygen sensor	06-	1							
35	997 606 157 00	cable guide oxygen sensor	-05	1							
								- - - E N D - - -			

Model	Year	MG	SG	Illustration	Restrictions	Update	13:15	17.11.2005	PORSCHE	PET	PORSCHE
997	06	2	02	202-01		194					

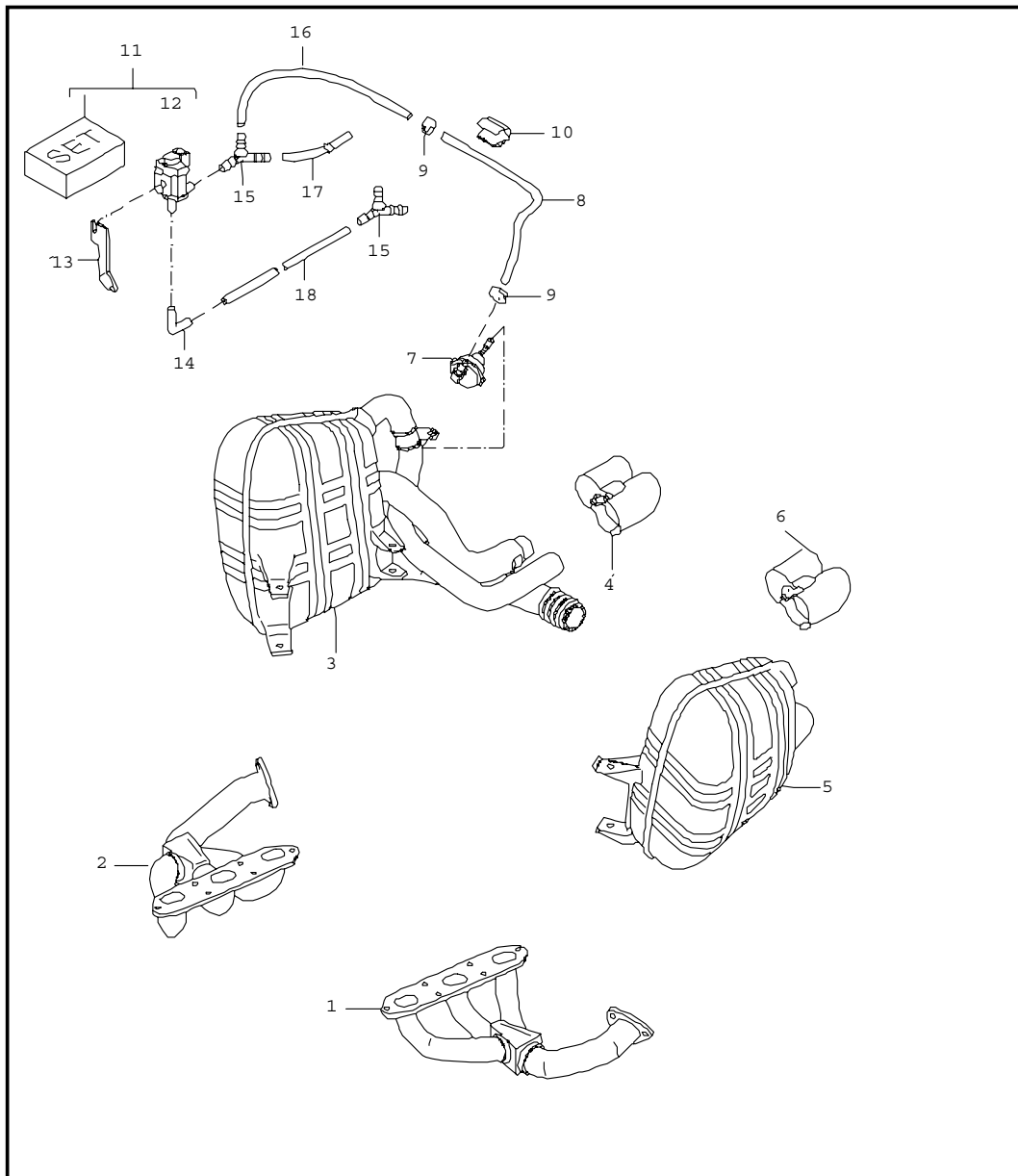


Pos	Part Number	Name	Remarks	Qty	Model
		exhaust system			M97.01
1	997 111 101 02	exhaust manifold cyl. 1 - 3		1	
2	997 111 102 02	exhaust manifold cyl. 4 - 6		1	
3	996 111 107 55	gasket exhaust manifold		2	
4	999 075 074 00	hexagon-head bolt M 8 X 26		12	
5	997 113 033 02	catalytic converter cyl. 1 - 3		1	
(5)	997 113 035 00	catalytic converter cyl. 1 - 3	06-	1	
6	997 113 034 02	catalytic converter cyl. 4 - 6		1	
(6)	997 113 036 00	catalytic converter cyl. 4 - 6	06-	1	
7	997 111 113 00	gasket		2	
8	999 084 046 02	lock nut M 8		6	
9	996 113 123 55	support	-05	1	
10	996 113 223 50	bracket		1	
11	900 385 019 04	torx screw M 6 X 20		1	
12	900 378 123 09	hexagon-head bolt M 8 X 12		2	
13	997 111 230 01	clip	-05	2	
14	900 385 098 09	screw M 8 X 30 lower		4	
15	900 378 055 09	hexagon-head bolt M 8 X 40		4	
16	900 380 005 09	hexagon nut M 8		10	
17	996 111 127 60	support		1	
18	996 111 128 57	support		1	

Model	Year	MG	SG	Illustration	Restrictions	Update	13:15	17.11.2005	PORSCHE	PET	PORSCHE
997	06	2	02	202-01		194					

Pos	Part Number	Name	Remarks	Qty	Model	Pos	Part Number	Name	Remarks	Qty	Model
19	900 385 096 09	screw M 8 X 30 upper		4		34	996 606 156 00	cable guide oxygen sensor	-05	1	
20	997 111 421 03	muffler		1	I 660	(34)	997 606 156 01	cable guide oxygen sensor	06-	1	
21	A 997 111 351 01	tail pipe	/R	1		35	997 606 157 00	cable guide oxygen sensor	-05	1	
(21)	U 997 111 351 02	tail pipe	/R	1		(35)	997 606 157 01	cable guide oxygen sensor	06-	1	
(21)	997 111 351 03	tail pipe	/R	1		36	999 591 941 40	expander nut 4,2		4	
22	996 111 229 01	damping piece		8		37	996 606 158 04	cable holder line oxygen sensor	-05	1	
23	996 111 237 03	support		1		(37)	997 606 148 01	support line oxygen sensor	06-	1	
24	900 378 183 09	hexagon-head bolt M 8 X 140		2		38	996 606 157 07	cable holder line oxygen sensor	-05	1	
25	900 378 105 09	hexagon-head bolt M 8 X 70		2		(38)	997 606 147 01	support line oxygen sensor	06-	1	
26	997 111 422 03	muffler		1	I 660	39	900 377 010 04	hexagon-head bolt M 6		2	
27	A 997 111 352 01	tail pipe	/L	1		40	999 651 386 02	cable clamp	-05	6	
(27)	U 997 111 352 02	tail pipe	/L	1		(40)	999 651 394 40	cable holder	06-	4	
(27)	997 111 352 03	tail pipe	/L	1		41	999 511 239 40	cable holder	-05	1	
28	996 111 238 03	support		1		42	900 075 365 02	screw M 8 X 30		X	
29	997 111 520 00	clamping sleeve		2				- - - E N D - - -			
30	996 606 178 01	oxygen sensor after catalytic converter		2							
30	997 606 177 01	oxygen sensor after catalytic converter	06-	2							
31	996 606 168 01	oxygen sensor in front of catalytic converter	-05	2							
31	997 606 168 01	oxygen sensor in front of catalytic converter	06-	2	I 660						
32	900 123 050 20	sealing ring 8 X 11,5		2	I 660						
33	900 124 021 05	screw plug M 8 X 1		2	I 660						

Model	Year	MG	SG	Illustration	Restrictions	Update	13:15	17.11.2005	PORSCHE	PET	PORSCHE
997	06	2	02	202-03		194					

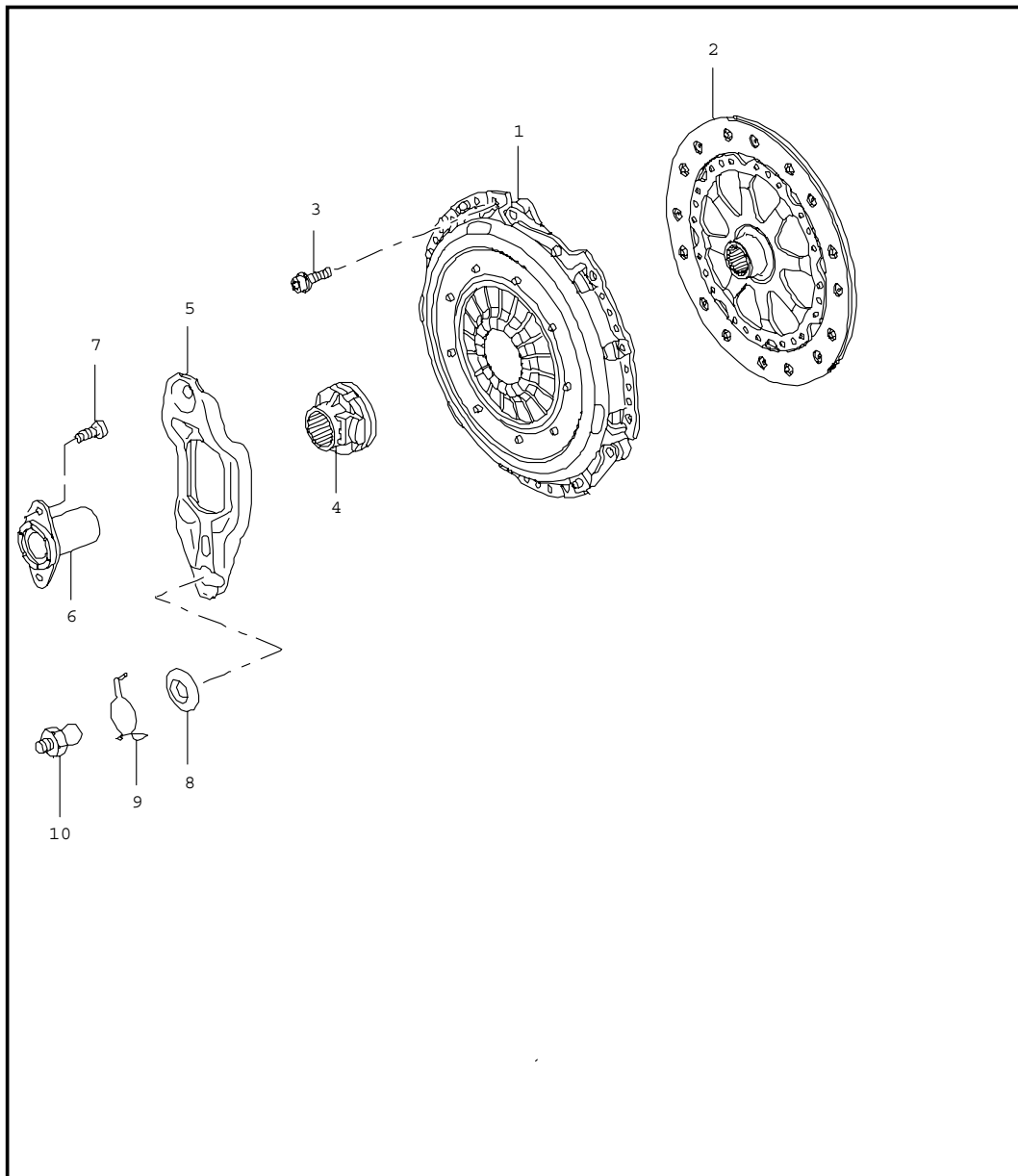


Pos	Part Number	Name	Remarks	Qty	Model
		exhaust system exclusive programme single parts			M96.05 M97.01 I XLF I X54 M97.01 I X51
(1)	997 111 105 00	exhaust manifold cyl. 1 - 3		1	M97.01 I X51
(2)	997 111 106 00	exhaust manifold cyl. 4 - 6		1	M97.01 I X51
3	997 111 611 00	main exhaust muffler cyl. 1 - 3		1	M97.01 I XLF I X51 M96.05 I XLF
4	997 111 981 20	tail pipe right		1	M97.01 I XLF I X51 M96.05 I XLF
(4)	997 111 981 10	tail pipe right		1	M96.05 I X54
(4) U	997 111 981 00	exhaust pipe right		1	M97.01 I X54
(4)	997 111 981 01	exhaust pipe right		1	M97.01 I X54
5	997 111 612 00	main exhaust muffler cyl. 4 - 6		1	M97.01 I XLF I X51 M96.05 I XLF
6	997 111 982 20	tail pipe left		1	M97.01 I XLF I X51 M96.05 I XLF
(6)	997 111 982 10	tail pipe left		1	M96.05 I X54
(6) U	997 111 982 00	exhaust pipe left		1	M97.01 I X54
(6)	997 111 982 01	exhaust pipe left		1	M97.01 I X54

Model	Year	MG	SG	Illustration	Restrictions	Update	13:15	17.11.2005	PORSCHE	PET	PORSCHE
997	06	2	02	202-03		194					

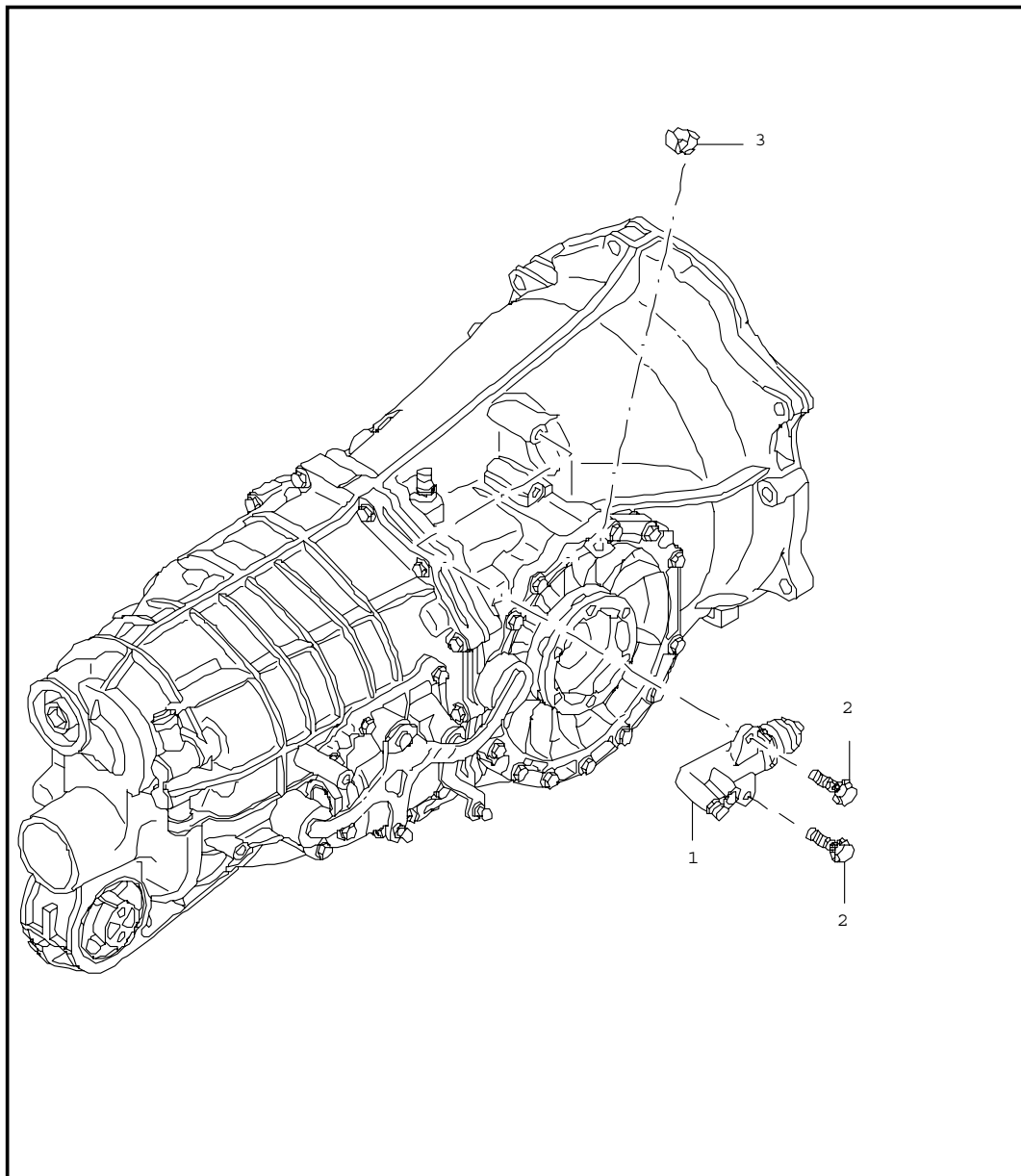
Pos	Part Number	Name	Remarks	Qty	Model	Pos	Part Number	Name	Remarks	Qty	Model
7	997 111 680 00	vacuum unit with gear shift rod left and right		2	I XLF	18	999 181 401 40	hose change-over valve to vacuum pump 4 X 1 X 580		1	I XLF
(7) U	997 111 681 00	vacuum unit		1	I XLF	-	... ..	tip switch see illustrations 903-05		1	I XLF
8	917 355 021 00	hose line 3 X 700		2	I XLF			- - - E N D - - -			
9	999 512 361 02	hose clamp 6 X 7		4	I XLF						
10	999 591 746 02	cable terminal 7,0 - 9,0		4	I XLF						
-	999 513 049 40	tie-wrap 8,0 - 30		2	I XLF						
11	997 612 905 00	set  comprising: change-over valve harness tie-wrap		1 3 12	I XLF						
12	996 605 123 01	change-over valve		1	I XLF						
13	996 111 989 00	retaining bracket for change-over valve		1	I XLF						
14	928 574 717 03	hose		1	I XLF						
15	928 573 727 03	y-piece distributing piece triple		2 1	I XLF/ I 480 I XLF/ I 249						
(15)	928 573 729 03	distributing piece fourfold in line vacuum pump		1	I XLF/ I 249						
16	999 181 374 40	hose right 4 X 1 X 250		1	I XLF						
17	999 181 424 40	hose left 4 X 1 X 800		1	I XLF						

Model	Year	MG	SG	Illustration	Restrictions	Update	13:15	17.11.2005	PORSCHE	PET	PORSCHE
997	06	3	01	301-00		194					



Pos	Part Number	Name	Remarks	Qty	Model
		clutch			M97.01 M96.05
1	997 116 027 12	pressure plate		1	M97.01
(1)	997 116 027 00	pressure plate		1	M96.05
2	997 116 013 10	clutch plate		1	
3	900 387 265 09	pan-head screw M 8 X 16		6	
4	997 116 080 00	clutch release bearing	05	1	
4	N 997 116 080 01	clutch release bearing	06-	1	
5	997 116 712 00	clutch release lever		1	
6	996 116 087 01	guide sleeve		1	
7	N 903 663 01	pan-head screw M 8 X 22		2	
8	996 116 743 00	sealing ring		1	
9	996 116 741 00	clamp		1	
10	997 116 716 00	ball pin		1	
		- - - E N D - - -			

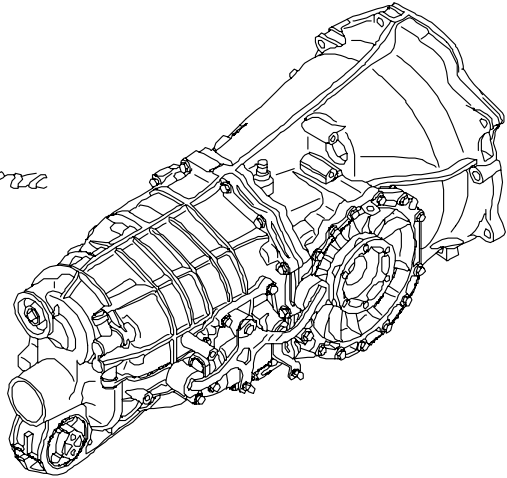
Model	Year	MG	SG	Illustration	Restrictions	Update	13:15	17.11.2005	PORSCHE	PET	PORSCHE
997	06	3	01	301-05		194					



Pos	Part Number	Name	Remarks	Qty	Model
		clutch release clutch operating cylinder			G97.01
1	996 116 237 06	clutch operating cylinder		1	
2	900 378 033 09	hexagon-head bolt M 8 X 30		2	
3	999 507 586 40	cable holder		1	
- - - E N D - - -					

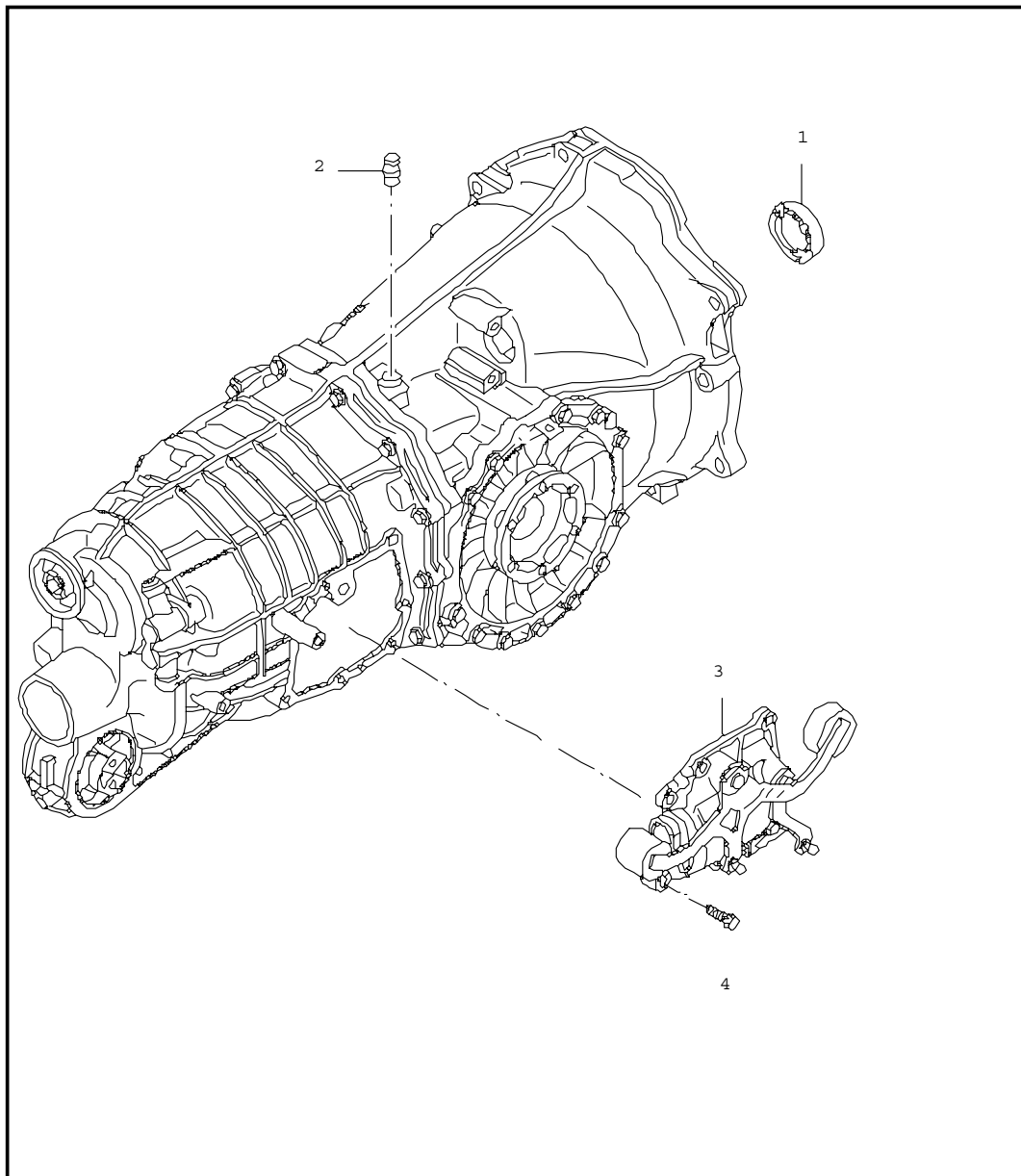
Model	Year	MG	SG	Illustration	Restrictions	Update	13:15	17.11.2005	PORSCHE	PET	PORSCHE
997	06	3	02	302-00		194					

*Carrera*



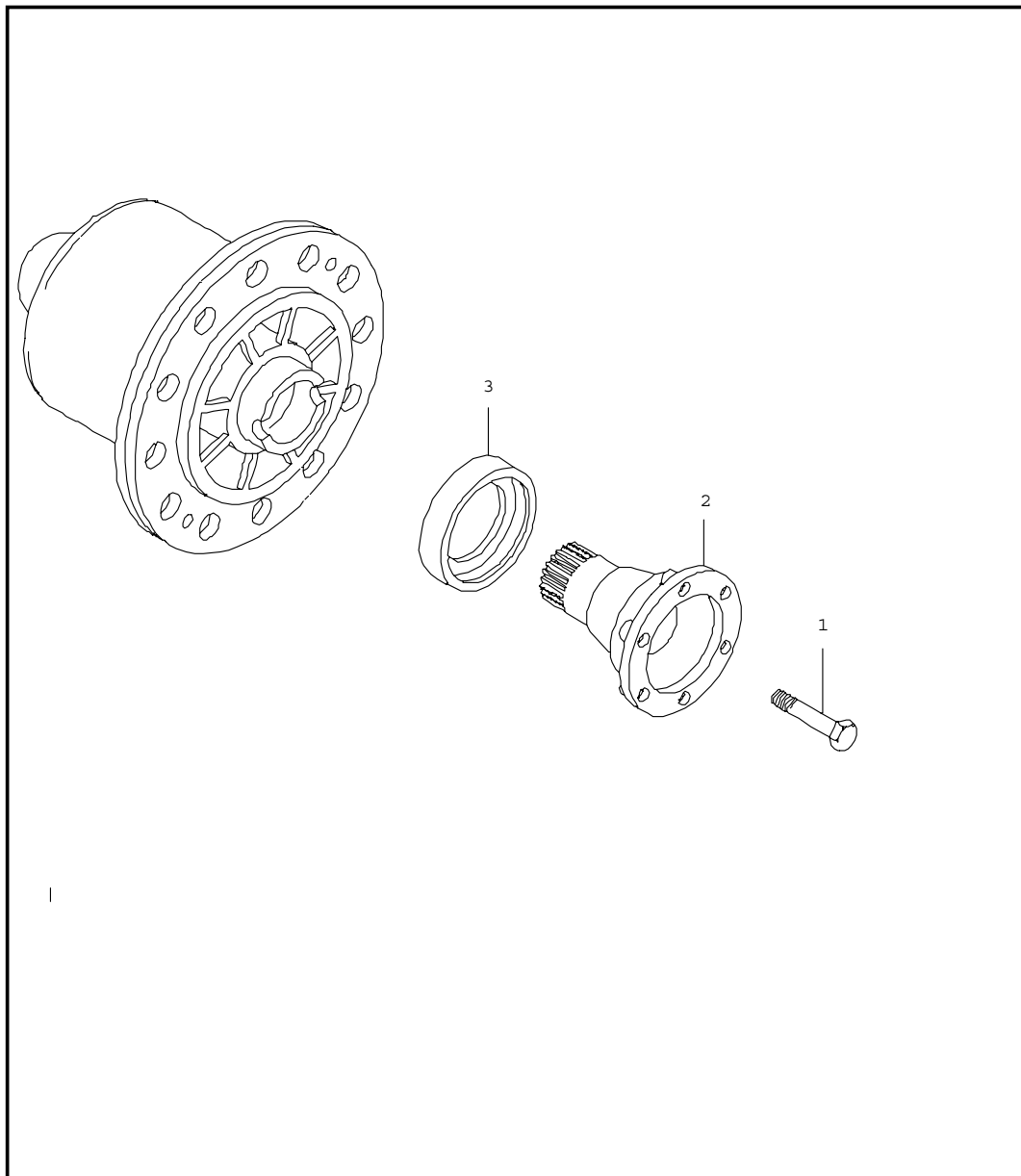
Pos	Part Number	Name	Remarks	Qty	Model
		manual transmission replacement transmission	06-		G97.01 G97.31
1	997 300 010 01	transmission		1	G97.01 I219
1	997 300 010 31	transmission	06-	1	G97.31 I219
(1)	997 300 020 01	transmission with limited-slip differential		1	G97.01 I220
(1)	997 300 020 31	transmission with limited-slip differential	06-	1	G97.31 I220
		- - - E N D - - -			

Model	Year	MG	SG	Illustration	Restrictions	Update	13:16	17.11.2005	PORSCHE	PET	PORSCHE
997	06	3	02	302-05		194					



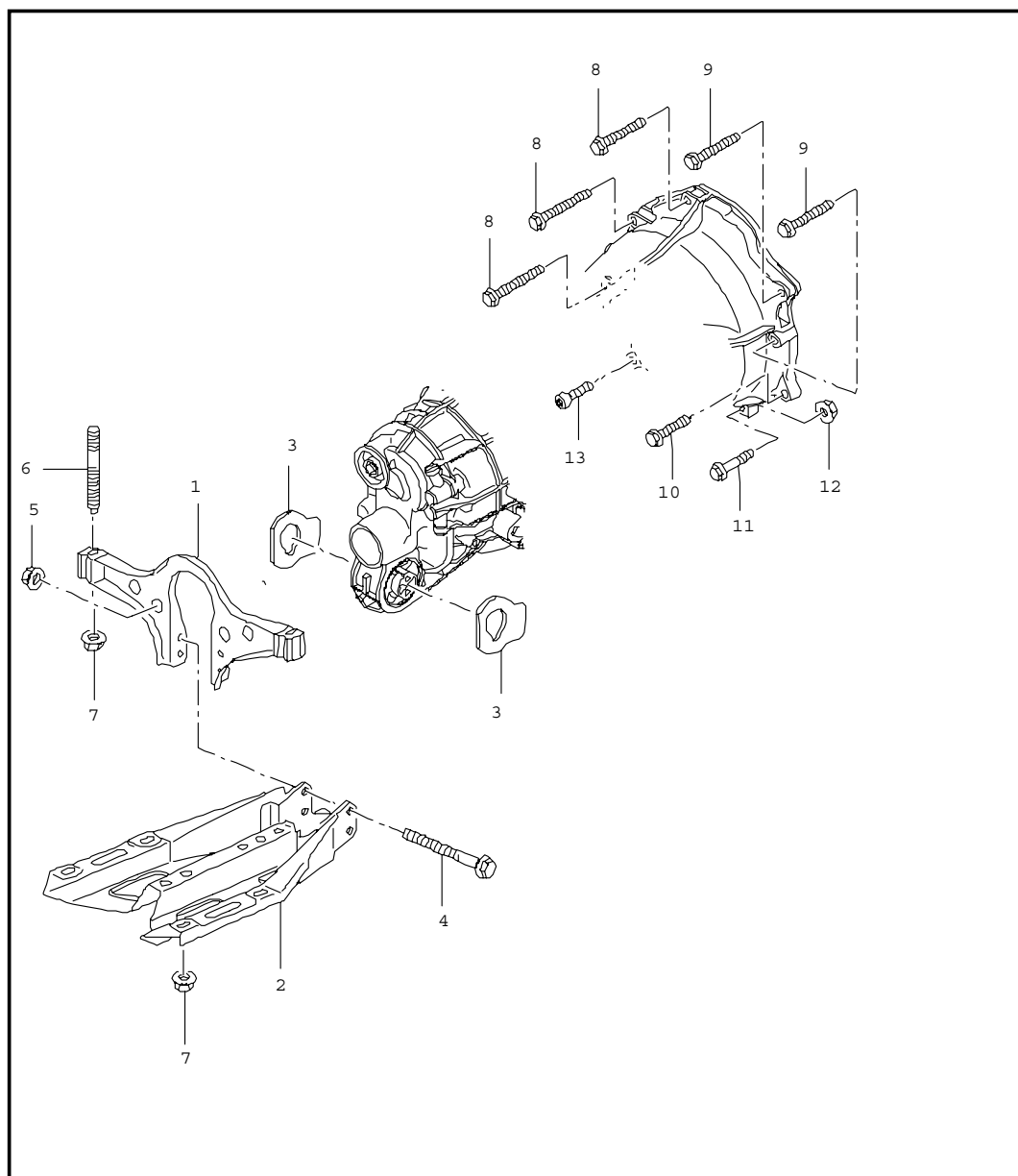
Pos	Part Number	Name	Remarks	Qty	Model
		manual transmission gearshift unit			G97.01
1	997 302 807 00	shaft seal		1	
2	997 613 180 01	back-up light switch		1	
3	997 303 030 00	gearshift unit		1	
4	997 303 808 00	hexagon-head bolt		7	
-	997 301 808 00	sealing ring		3	
-	997 301 807 00	screw plug		3	
		- - - E N D - - -			

Model	Year	MG	SG	Illustration	Restrictions	Update	13:16	17.11.2005	PORSCHE	PET	PORSCHE
997	06	3	05	305-00		194					



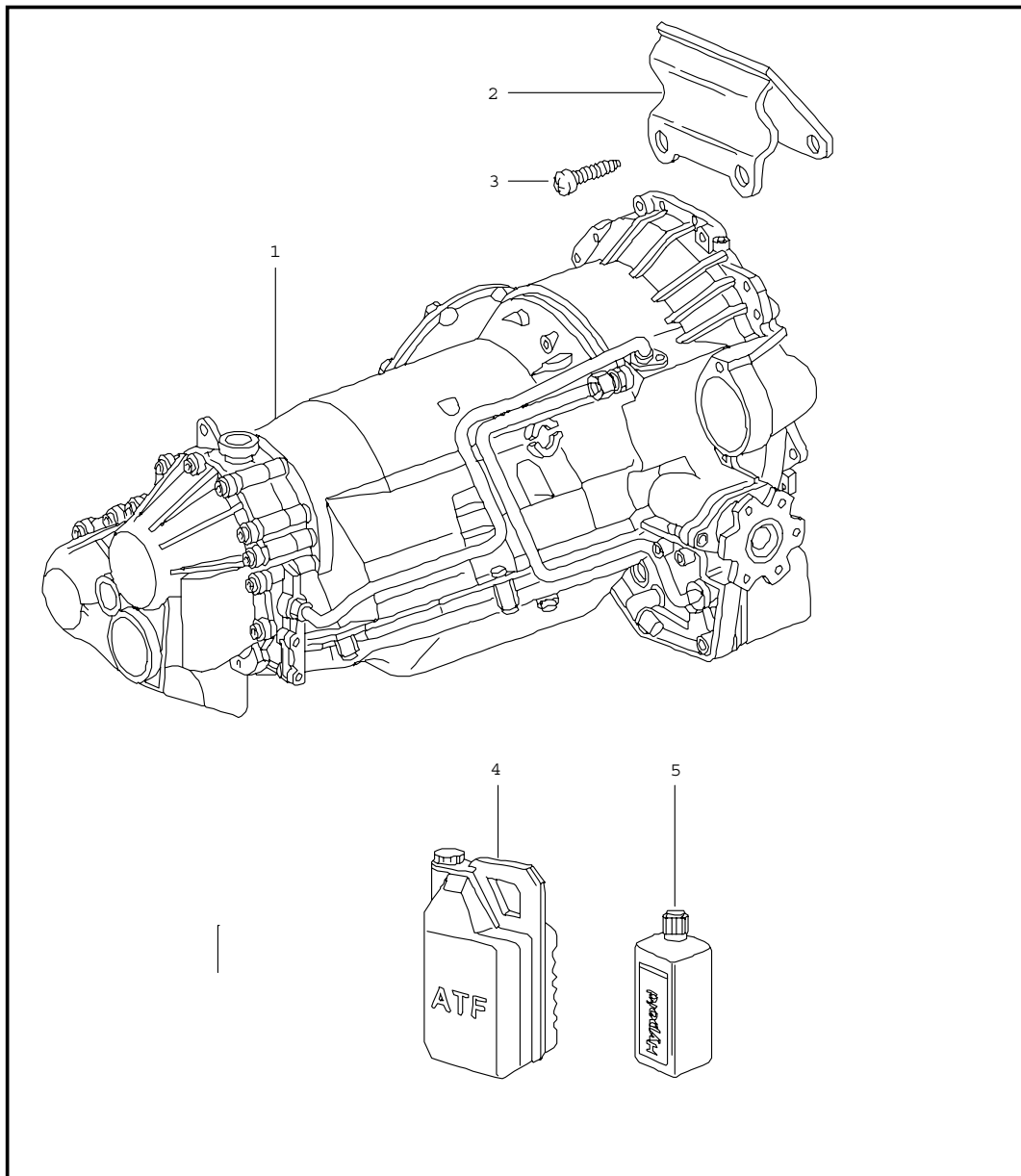
Pos	Part Number	Name	Remarks	Qty	Model
		manual transmission differential			G97.01
-	997 332 249 00	snap ring		2	
2	997 332 209 00	joint flange		2	
3	997 332 803 00	shaft seal left		1	
(3)	997 332 804 00	shaft seal right		1	
		- - - E N D - - -			

Model	Year	MG	SG	Illustration	Restrictions	Update	13:16	17.11.2005	PORSCHE	PET	PORSCHE
997	06	3	06	306-00		194					



Pos	Part Number	Name	Remarks	Qty	Model
		manual transmission transmission suspension threaded joint engine			G97.01
1	997 375 039 00	transmission carrier		1	
2	U 997 375 313 00	transmission carrier		1	
2	997 375 113 00	transmission carrier lengthways		1	
3	997 375 255 00	stop		2	
4	900 378 132 09	hexagon-head bolt M 10 X 115		2	
5	900 380 008 09	hexagon nut M 10		2	
6	999 061 106 09	stud M 10 X 84		2	
7	999 076 053 09	hexagon nut M 10		6	
8	999 072 010 09	hexagon-head bolt M 12 X 1,5 X 100		2	
9	999 072 008 09	hexagon-head bolt M 12 X 1,5 X 70		3	
10	900 378 061 09	hexagon-head bolt M 12 X 1,5 X 50		1	
11	900 378 076 09	hexagon-head bolt M 10 X 50		1	
12	900 377 011 09	hexagon nut M 10		1	
13	999 073 119 09	pan-head screw M 10 X 50		1	
		- - - E N D - - -			

Model	Year	MG	SG	Illustration	Restrictions	Update	13:16	17.11.2005	PORSCHE	PET	PORSCHE
997	06	3	20	320-00		194					



Pos	Part Number	Name	Remarks	Qty	Model
		tiptronic replacement transmission	06-		A97.01 A97.31
1	> 722 270 230 0	transmission		1	A97.01
1	722 270 240 0	transmission	06-	1	A97.31
2	996 449 101 50	hook		1	
3	999 073 190 09	oval-head screw M 8 X 60		2	
4	000 043 204 63	transmission oil ATF 20 LTR. container		X	
5	999 917 546 00	transmission oil 75 W 90 1 LTR. container		X	
- - - E N D - - -					

PORSCHE

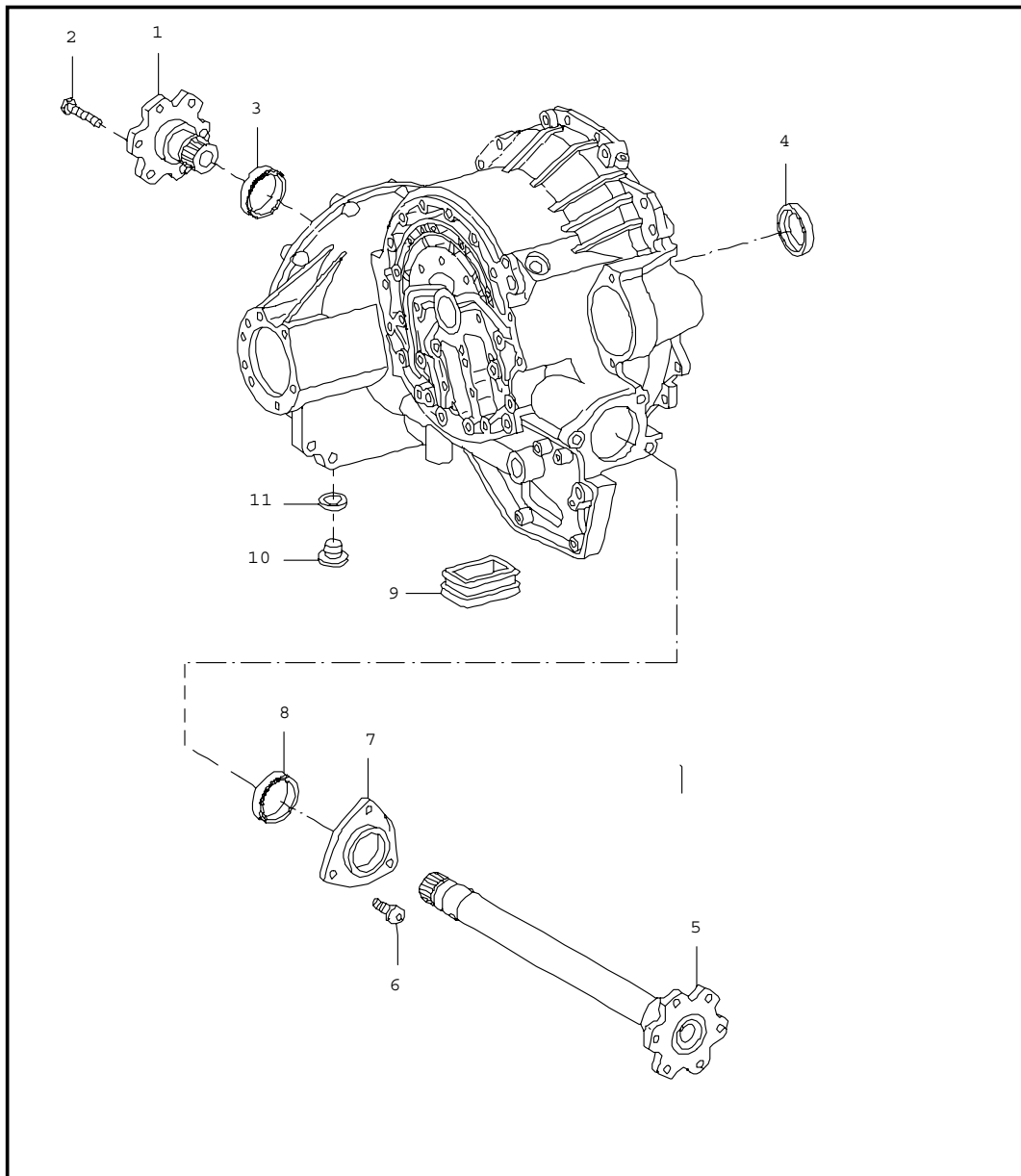
PET

PORSCHE

Model	Year	MG	SG	Illustration	Restrictions	Update	13:16	17.11.2005
997	06	3	20	320-04		194		

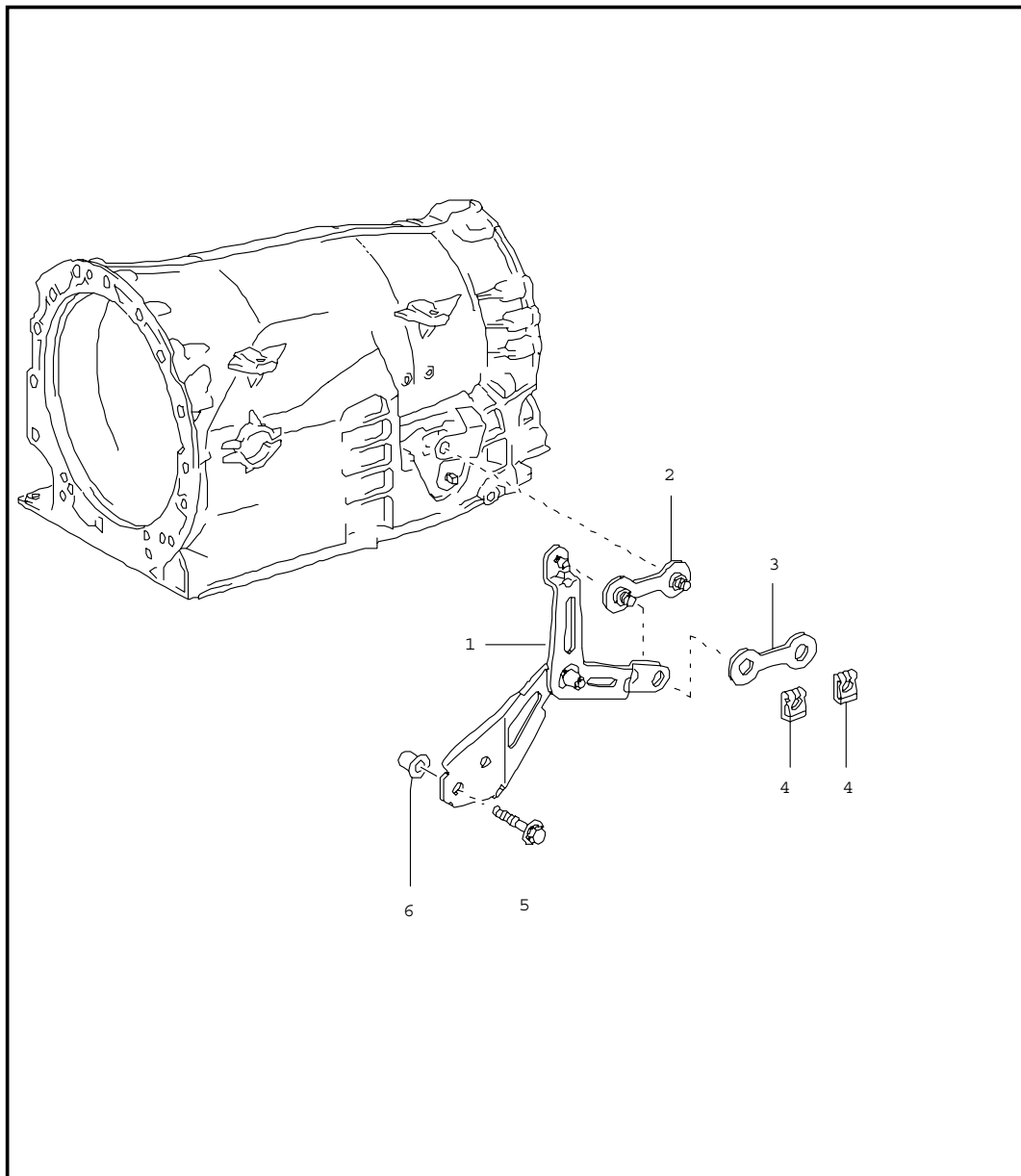
Pos	Part Number	Name	Remarks	Qty	Model
		tiptronic all-wheel driving mechanism	06-		A97.01 I 339
1	722 260 006 2	bearing		1	
2	999 073 178 09	oval-head screw M 8 X 30		4	
3	168 997 004 5	o-ring 28 X 3		1	
4	722 270 022 0	flange		1	
5	140 990 115 0	collar nut M 26 X 1,5		1	
-	P 022 997 944 7	shaft seal		1	
		- - - E N D - - -			

Model	Year	MG	SG	Illustration	Restrictions	Update	13:17	17.11.2005	PORSCHE	PET	PORSCHE
997	06	3	20	320-05		194					



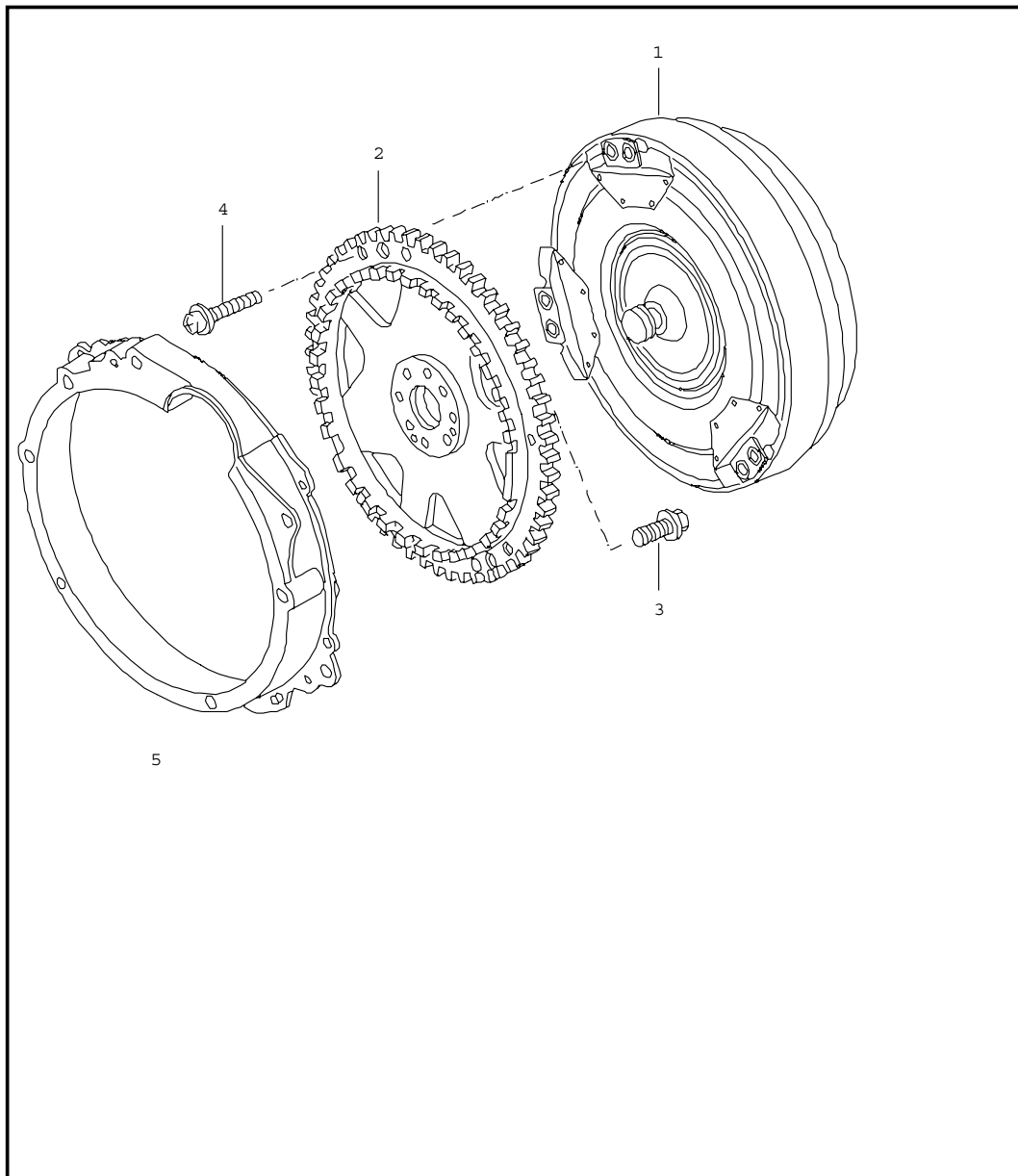
Pos	Part Number	Name	Remarks	Qty	Model
		tiptronic differential			A97.01
3	022 997 924 7	shaft seal		1	
4	018 997 044 7	sealing ring oil pump		1	
8	022 997 934 7	shaft seal		1	
9	722 271 028 7	sealing rubber		1	
10	210 997 003 2	screw plug		1	
11	900 123 060 30	sealing ring 24 x 29		1	
- - - E N D - - -					

Model	Year	MG	SG	Illustration	Restrictions	Update	13:17	17.11.2005	PORSCHE	PET	PORSCHE
997	06	3	20	320-06		194					



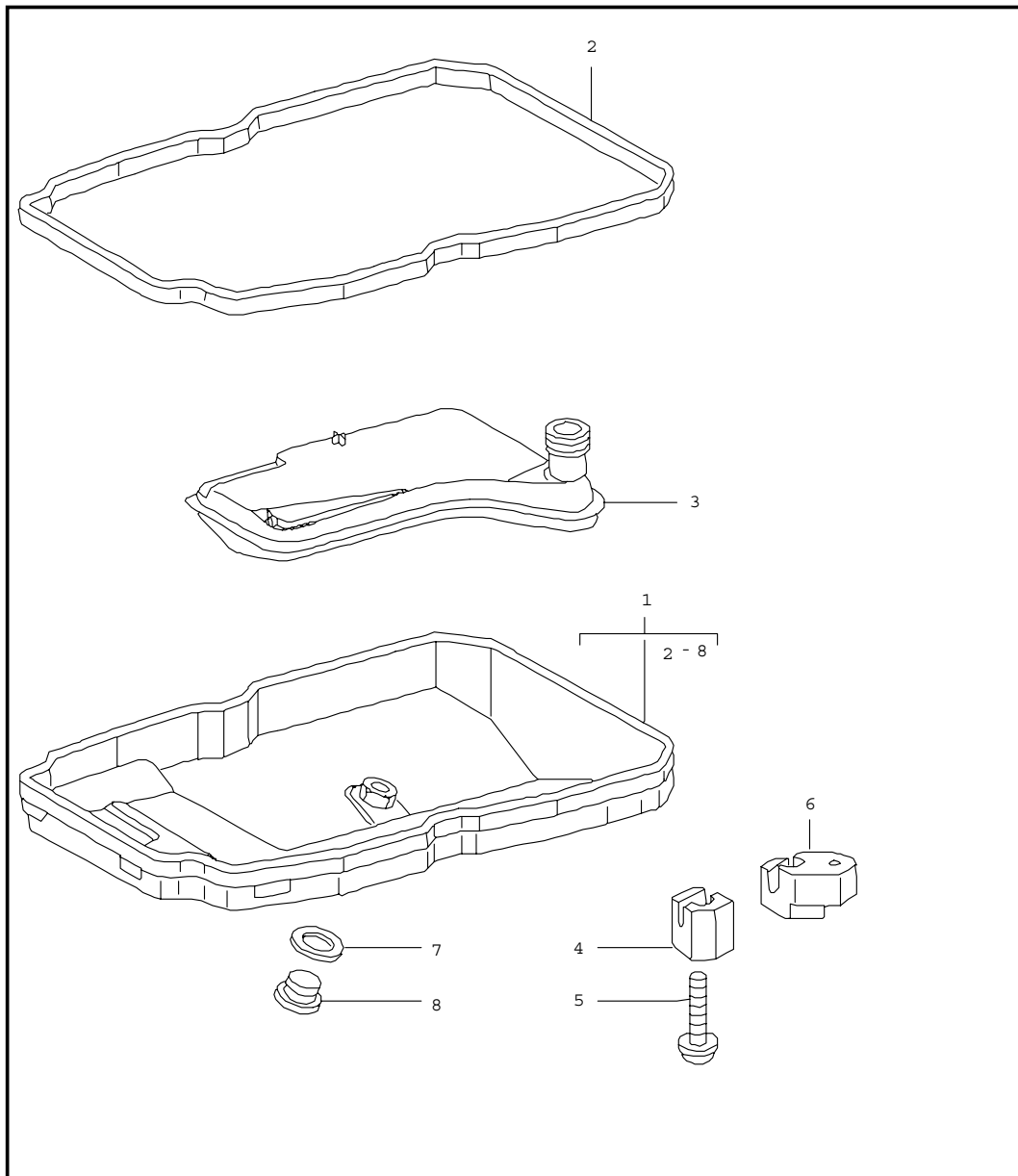
Pos	Part Number	Name	Remarks	Qty	Model
		tiptronic selector lever			A97.01
1	722 270 011 0	selector lever		1	
2	722 270 025 9	lever		2	
3	722 278 032 0	lever		1	
4	999 166 079 02	lock washer		2	
5	---	screw		2	
6	722 992 002 0	sleeve		1	
		- - - E N D - - -			

Model	Year	MG	SG	Illustration	Restrictions	Update	13:17	17.11.2005	PORSCHE	PET	PORSCHE
997	06	3	30	330-00		194					



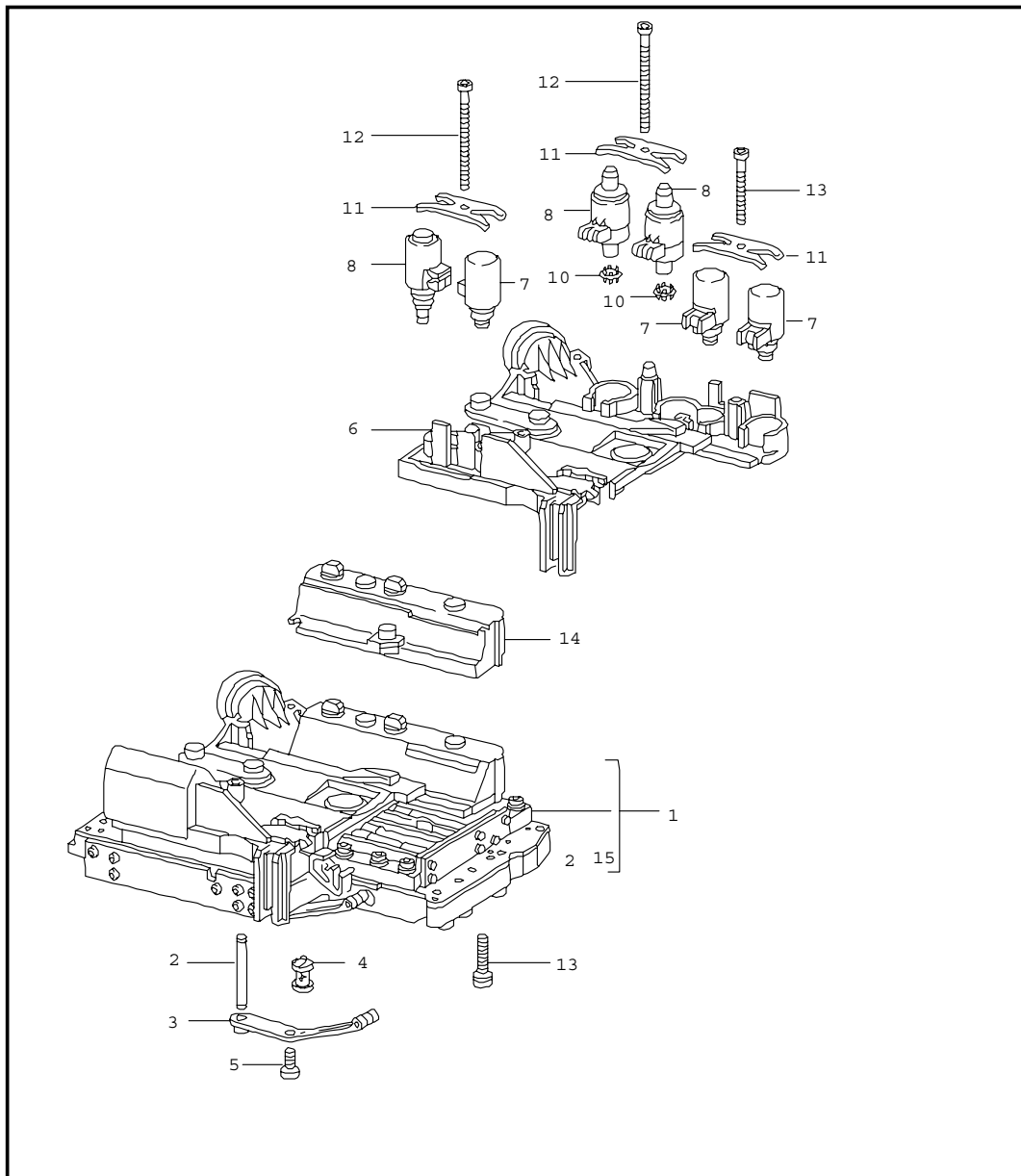
Pos	Part Number	Name	Remarks	Qty	Model
		tiptronic torque converter drive plate			A97.01
1	722 250 120 2	torque converter		1	
2	996 116 075 16	drive plate		1	
3	999 073 091 09	pan-head screw M 10 X 1 X 25		8	
4	900 067 369 09	pan-head screw M 8 X 20		6	
5	996 116 101 10	intermediate housing engine and transmission		1	
		- - - E N D - - -			

Model	Year	MG	SG	Illustration	Restrictions	Update	13:17	17.11.2005	PORSCHE	PET	PORSCHE
997	06	3	40	340-00		194					



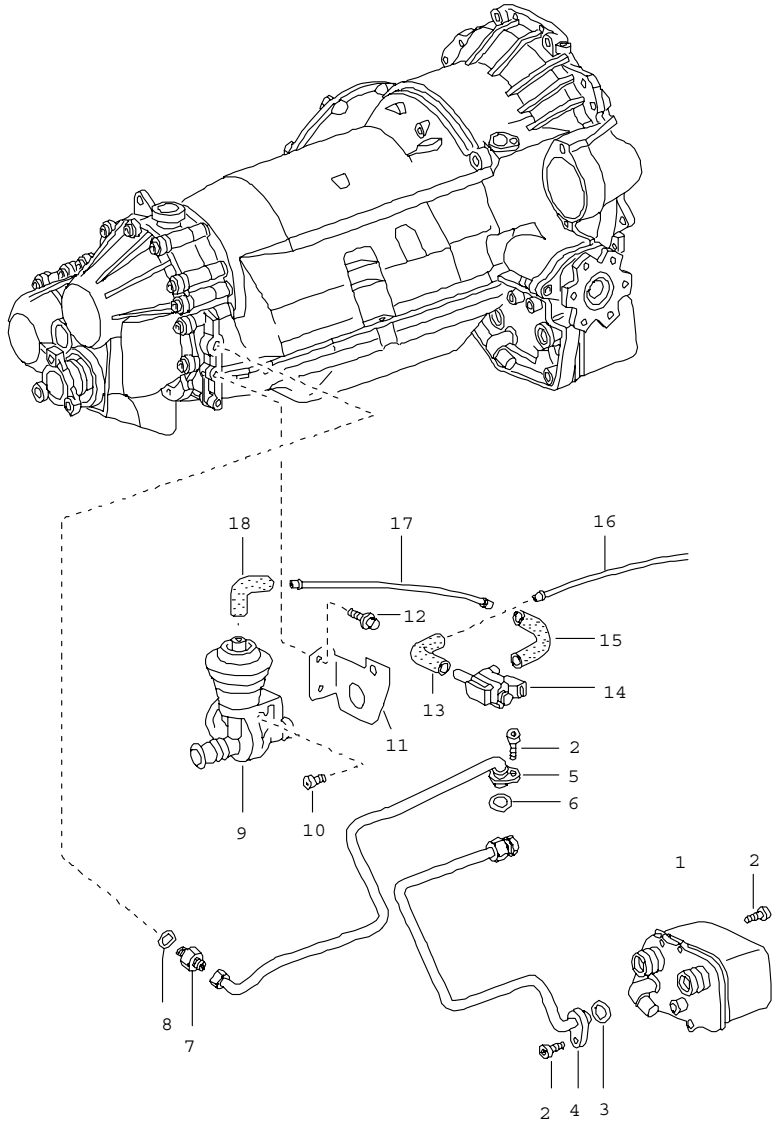
Pos	Part Number	Name	Remarks	Qty	Model
		tiptronic oil filter oil pan			A97.01
1	722 270 161 2	oil pan		1	
2	140 271 008 0	gasket		1	
3	722 277 009 5	oil filter		1	
4	140 271 006 8	clamping sleeve		6	
5	999 073 202 09	pan-head screw M 6 X 22		6	
6	---	clamping sleeve		X	
7	900 123 062 20	sealing ring		1	
8	900 219 007 02	screw plug		1	
		- - - E N D - - -			

Model	Year	MG	SG	Illustration	Restrictions	Update	13:17	17.11.2005	PORSCHE	PET	PORSCHE
997	06	3	40	340-05		194					



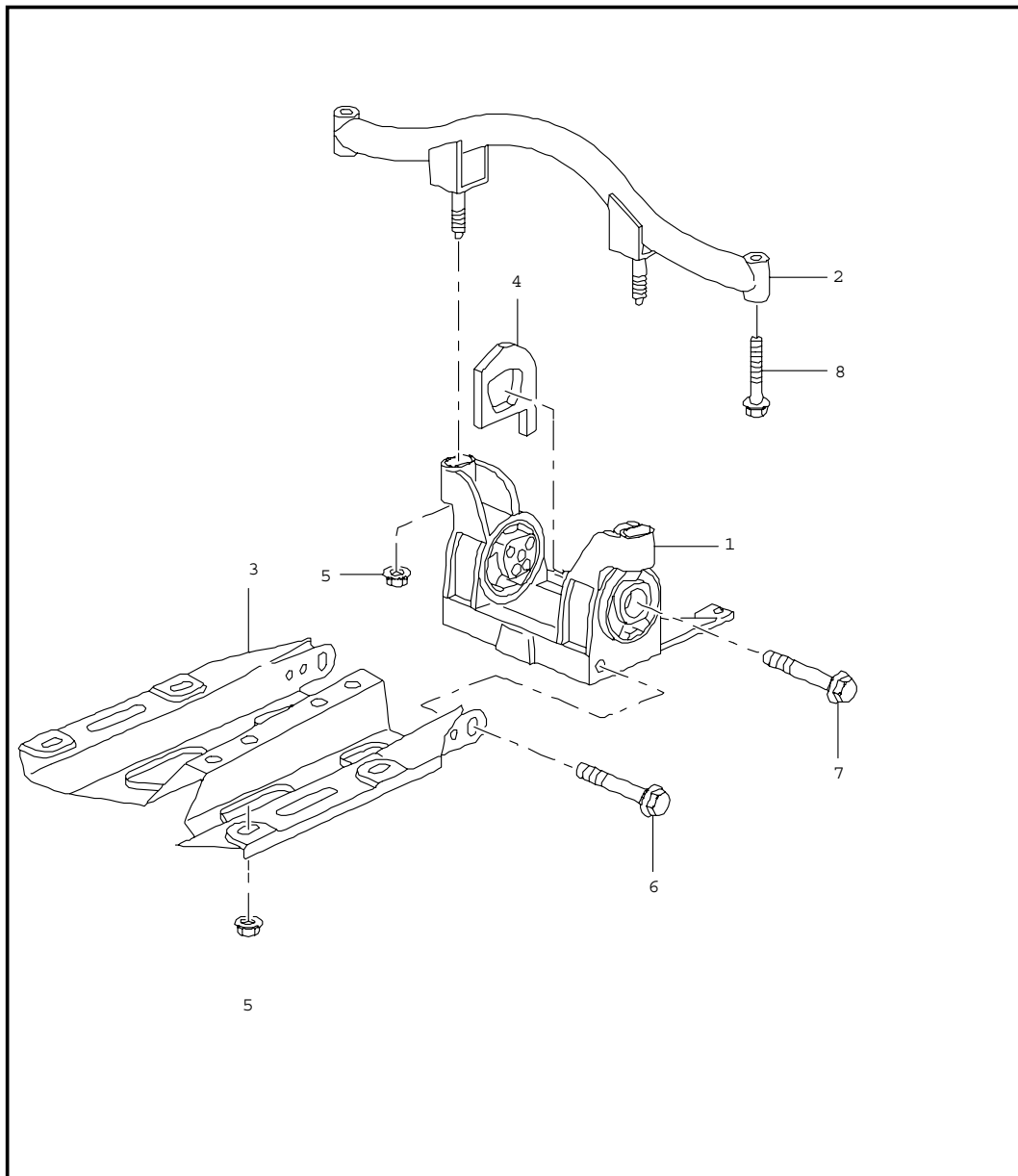
Pos	Part Number	Name	Remarks	Qty	Model
		tiptronic switch unit solenoid valve pressure regulator			A97.01
1	722 270 020 6	switch unit		1	
2	140 277 007 5	pin		1	
3	140 270 017 8	spring		1	
4	140 270 029 8	filter		1	
5	170 990 012 0	screw		1	
6	140 270 056 1	cover plate		1	
7	140 277 053 5	valve		3	
8	140 277 039 8	solenoid valve		2	
9	140 277 043 5	solenoid valve		1	
10	140 270 049 8	filter		2	
11	140 276 000 3	spring plate		3	
12	140 277 107 1	screw		2	
13	140 277 117 10	screw		1	
14	140 271 078 2	cover		1	
15	140 277 067 1	screw		10	
		- - - E N D - - -			

Model	Year	MG	SG	Illustration	Restrictions	Update	13:18	17.11.2005	PORSCHE	PET	PORSCHE
997	06	3	60	360-00		194					



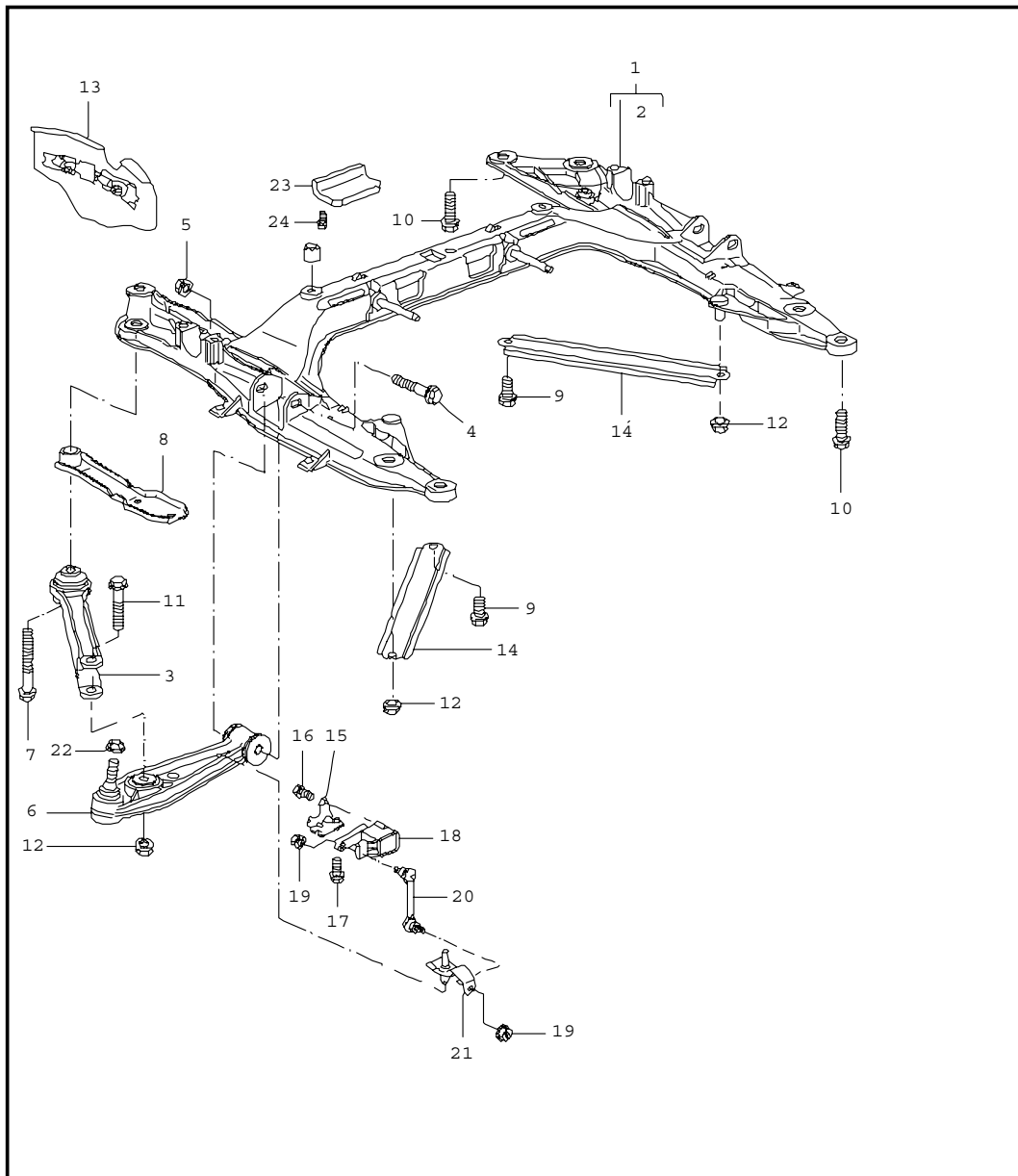
Pos	Part Number	Name	Remarks	Qty	Model
		tiptronic atf cooler atf lines			A97.01
1	722 270 009 5	atf cooler		1	
2	999 073 103 09	oval-head screw M 6 X 16		6	
3	026 997 234 8	sealing ring		1	
4	722 270 089 6	oil pipe 18,6 X 3,5		2	
5	722 270 079 6	oil pipe		1	
6	026 997 234 8	sealing ring		1	
-	996 307 711 10	water hose supply		1	
- - - E N D - - -					

Model	Year	MG	SG	Illustration	Restrictions	Update	13:18	17.11.2005	PORSCHE	PET	PORSCHE
997	06	3	70	370-00		194					



Pos	Part Number	Name	Remarks	Qty	Model
		tiptronic transmission suspension and mount intermediate flange			A97.01
1	997 375 033 02	transmission carrier		1	
2	996 375 317 06	bracket upper		1	
3	997 375 315 02	side member		1	
4	997 375 259 01	stop		2	
5	999 076 053 09	hexagon nut M 10		6	
6	900 378 200 09	hexagon-head bolt M 10 X 55		2	
7	900 378 208 09	hexagon-head bolt M 12 X 1,5 X 75		2	
8	900 378 098 09	hexagon-head bolt M 10 X 60		2	
		- - - E N D - - -			

Model	Year	MG	SG	Illustration	Restrictions	Update	13:18	17.11.2005	PORSCHE	PET	PORSCHE
997	06	4	01	401-00		194					

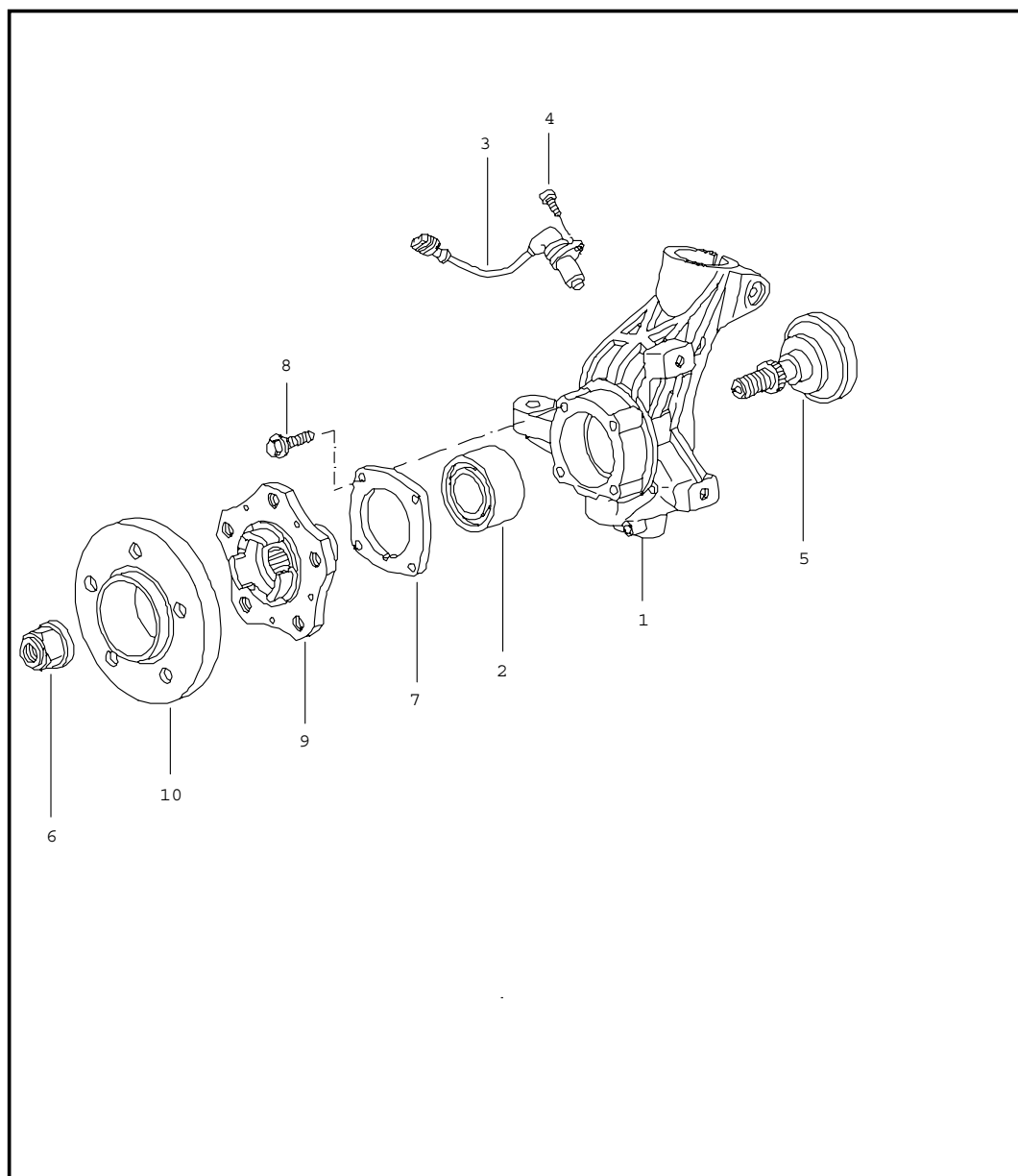


Pos	Part Number	Name	Remarks	Qty	Model
1	997 341 081 04	cross member control arm		1	CARRERA 2 CARRERA 2-S CARRERA 2-S
(1)	997 341 081 11	cross member	06- 06-	1	CARRERA 4 CARRERA 4-S
2	900 197 004 00	guide sleeve 13 X 14		1	
3	997 341 043 00	control arm		2	
4	900 378 165 09	hexagon-head bolt M 12 X 1,5 X 95		2	
5	999 084 445 09	lock nut M 12 X 1,5		2	
6	997 341 053 00	control arm	05	2	
(6)	997 341 053 03	control arm	06-	2	
7	900 378 241 09	hexagon-head bolt M 14 X 1,5 X 120		2	CARRERA 2 CARRERA 2-S
(7)	999 072 050 09	hexagon-head bolt M 14 X 1,5 X 120		2	CARRERA 4 CARRERA 4-S
8	997 341 145 01	plate		2	CARRERA 2 CARRERA 2-S
(8)	997 341 145 05	plate		2	CARRERA 4 CARRERA 4-S
9	999 072 047 09	hexagon-head bolt M 12 X 1,5 X 30		4	
10	900 378 192 09	hexagon-head bolt M 14 X 1,5 X 50		2	
11	900 378 279 09	hexagon-head bolt M 14 X 1,5 X 95		2	
12	999 084 445 09	lock nut M 12 X 1,5		2	
13	996 341 483 05	spoiler	/L	1	
(13)	996 341 484 05	spoiler	/R	1	
14	997 504 433 00	strut		2	
15	... ..	support see illustrations 1/05/10 Pos.10		1	I601

Model	Year	MG	SG	Illustration	Restrictions	Update	13:18	17.11.2005	PORSCHE	PET	PORSCHE
997	06	4	01	401-00		194					

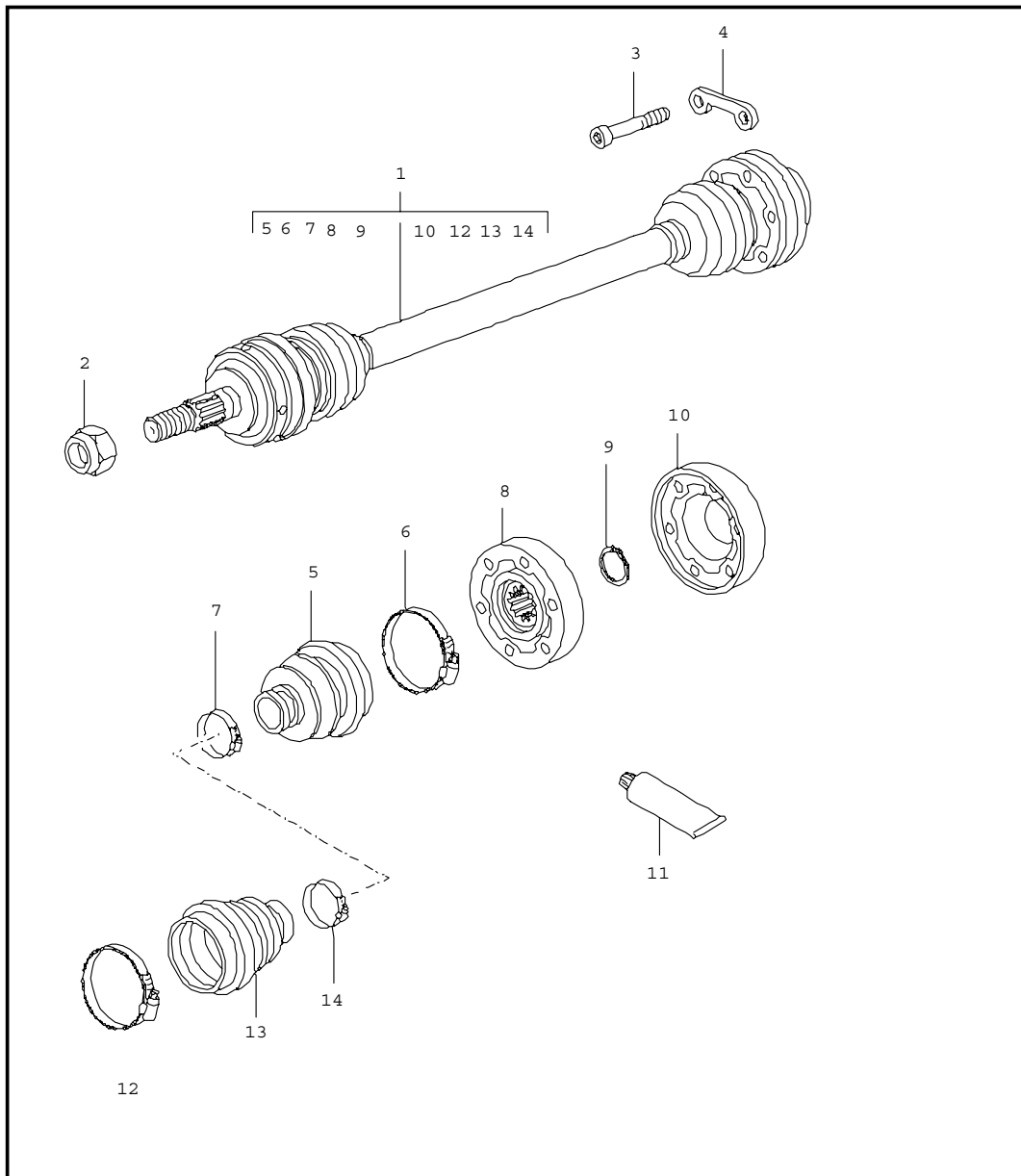
Pos	Part Number	Name	Remarks	Qty	Model	Pos	Part Number	Name	Remarks	Qty	Model
16	900 146 003 02	oval-head screw M 5 X 10		2	I601						
17	900 378 036 09	hexagon-head bolt M 6 X 12		1							
18	997 631 121 00	sensor		1	I601						
19	900 380 015 09	hexagon nut VM 6		2							
20	997 341 375 01	strut		1	I601						
21	996 341 371 03	support		1	I601						
22	999 084 449 09	hexagon nut M 12 X 1,5		2							
23	997 341 431 02	stop		1	CARRERA 4 CARRERA 4-S						
24	999 072 047 09	hexagon-head bolt M 12 X 1,5 X 30		4	CARRERA 4 CARRERA 4-S						
		- - - E N D - - -									

Model	Year	MG	SG	Illustration	Restrictions	Update	13:18	17.11.2005	PORSCHE	PET	PORSCHE
997	06	4	01	401-05		194					



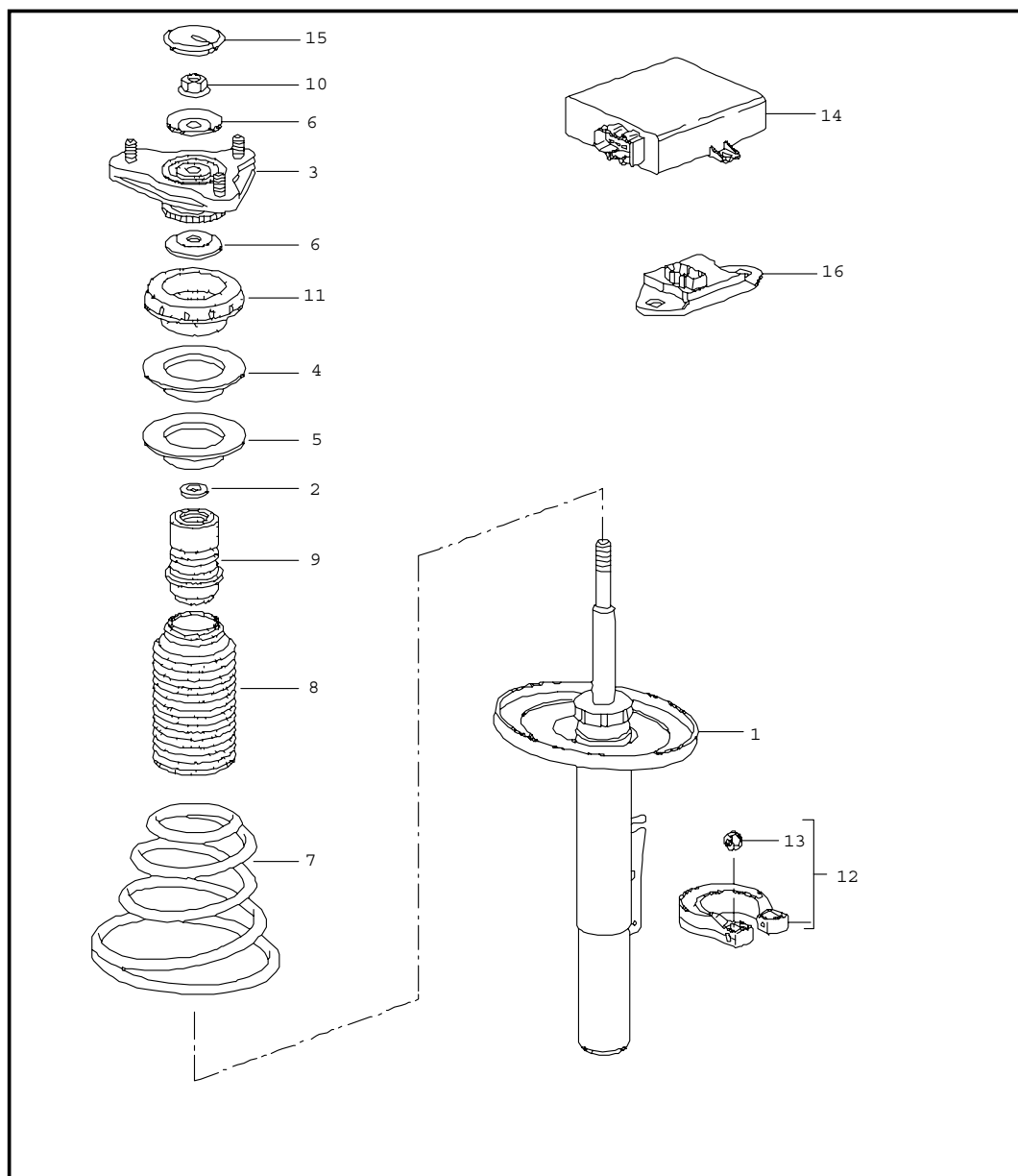
Pos	Part Number	Name	Remarks	Qty	Model
		wheel carrier wheel hub			
1	997 341 157 05	wheel carrier	/L	1	CARRERA 2
(1)	997 341 157 25	wheel carrier	/L /L	1 1	CARRERA 2-S I450
(1)	997 341 165 03	wheel carrier	/L	1	CARRERA 4
(1)	997 341 165 23	wheel carrier	/L /L	1 1	CARRERA 4 I450 CARRERA 4-S
(1)	997 341 158 05	wheel carrier	/R	1	CARRERA 2
(1)	997 341 158 25	wheel carrier	/R /R	1 1	CARRERA 2-S I450
(1)	997 341 166 03	wheel carrier	/R	1	CARRERA 4
(1)	997 341 166 23	wheel carrier	/R /R	1 1	CARRERA 4 I450 CARRERA 4-S
2	999 053 054 05	angular-contact bearing		2	
3	997 606 407 01	speed sensor		2	
4	900 067 117 09	pan-head screw M 6 X 16		2	
5	997 341 131 00	tension bolt		2	
6	999 084 641 02	lock nut M 22 X 1,5		2	
7	986 331 661 20	cover		2	
8	999 217 042 09	hexagon-head bolt M 8 X 35		8	
9	997 341 605 01	wheel hub		2	
		- - - E N D - - -			

Model	Year	MG	SG	Illustration	Restrictions	Update	13:18	17.11.2005	PORSCHE	PET	PORSCHE
997	06	4	01	401-10		194					



Pos	Part Number	Name	Remarks	Qty	Model
		drive shaft			CARRERA 4 CARRERA 4-S
1	997 349 038 00	drive shaft		2	
(2)	999 084 641 02	lock nut M 22 X 1,5		2	
3	900 067 073 09	pan-head screw M 8 X 45		12	
(4)	996 349 191 01	plate		6	
5	996 349 293 00	dust bellows		2	
6	996 349 257 02	clip		2	
7	996 349 257 03	clip		2	
8	996 349 030 00	joint		2	
9	900 041 011 01	circlip		2	
10	996 349 267 00	cover		2	
11	000 043 110 01	grease 1 tube 100 g		X	
(11)	000 043 205 36	sealing compound drive shaft 1 tube 100 g		X	
12	996 349 257 00	clip		2	
13	996 349 291 00	dust bellows		2	
14	996 349 257 01	clip		2	
- - - E N D - - -					

Model	Year	MG	SG	Illustration	Restrictions	Update	13:18	17.11.2005	PORSCHE	PET	PORSCHE
997	06	4	02	402-00		194					

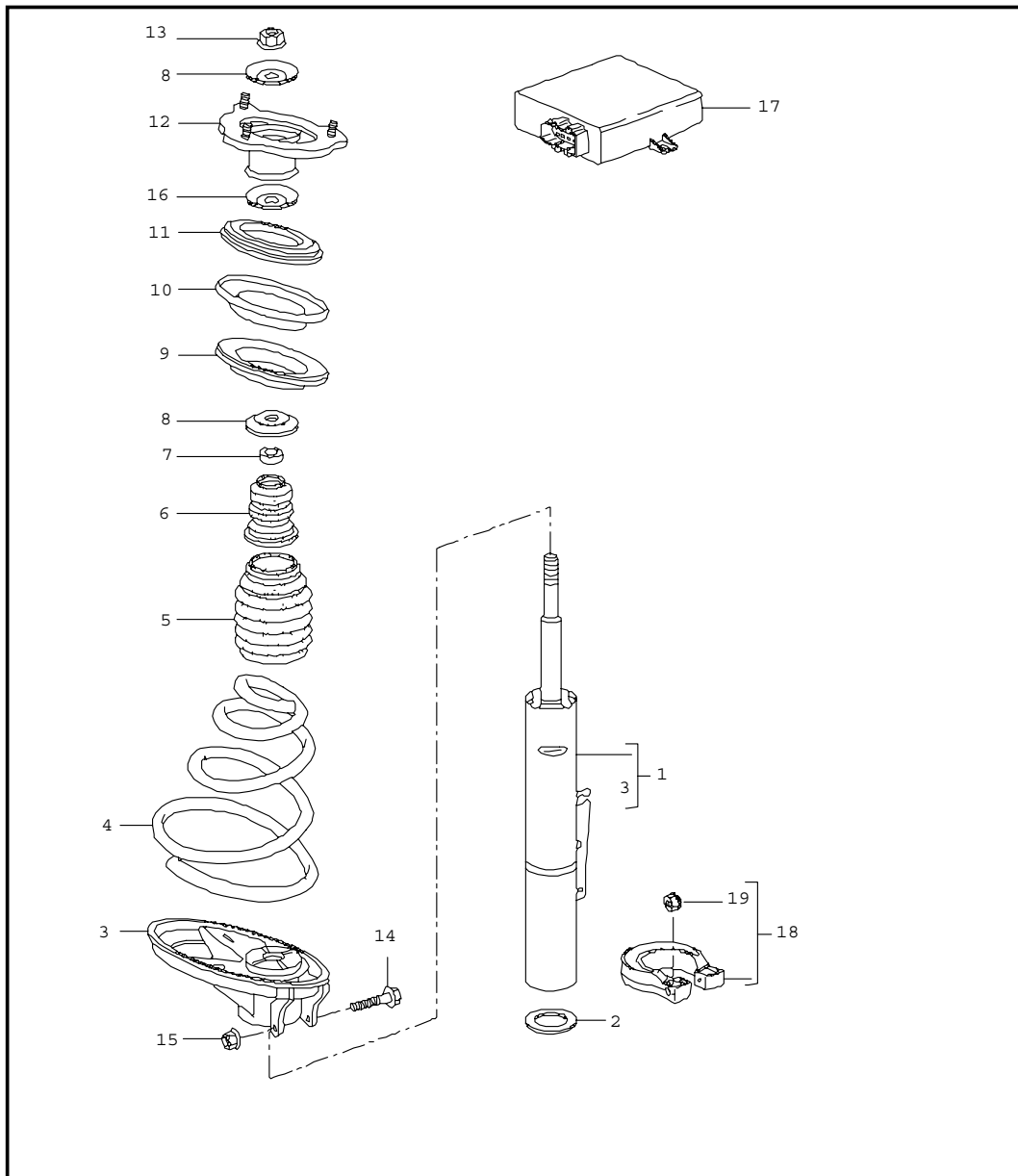


Pos	Part Number	Name	Remarks	Qty	Model
		springs shock absorber strut			CARRERA 2 CARRERA 2-S
1	A 997 343 041 09	vibration damper		2	I029
(1)	997 343 041 11	vibration damper		2	I029
(1)	A 997 343 045 13	vibration damper		2	I475
(1)	N 997 343 045 14	vibration damper		2	I475
		mount shock absorber			
2	996 343 513 00	washer		2	
3	997 343 018 00	supporting mount		2	
-	999 084 447 09	hexagon nut M 8		6	
4	996 343 517 01	support ring		2	
5	996 343 511 00	compensating plate 3,0 MM		X	
(5)	996 343 511 01	compensating plate 6,5 MM		X	
6	997 343 107 01	stop plate		2	
(6)	997 343 107 00	stop plate upper		1	I475
6	997 343 107 01	stop plate lower		1	I475
					COUPE
7	997 343 531 22	coil spring		1	I029/CABRIO
		1 set		1	I249/COUPE CARRERA 2
		504 marked violet white			
(7)	997 343 531 23	coil spring		1	I029/480 COUPE
		1 set			CARRERA 2
		504 marked violet red			
(7)	A 997 343 531 30	coil spring		1	I475/COUPE CARRERA 2
		1 set			

Model	Year	MG	SG	Illustration	Restrictions	Update	13:19	17.11.2005	PORSCHE	PET	PORSCHE
997	06	4	02	402-00		194					

Pos	Part Number	Name	Remarks	Qty	Model	Pos	Part Number	Name	Remarks	Qty	Model
	504	marked blue red			CARRERA 2-S						
(7)	997 343 531 31	coil spring 1 set		1	I475/COUPE CARRERA 2						
	504	marked blue red			CARRERA 2-S						
(7)	997 343 531 36	coil spring 1 set	05	1	I475/CABRIO CARRERA 2						
	504	marked blue blue			CARRERA 2-S						
(7)	997 343 531 35	coil spring 1 set	06-	1	I475/CABRIO CARRERA 2						
	504	marked blue blue			CARRERA 2-S						
8	996 343 505 00	bellows		2							
(9)	996 343 301 02	additional spring		2	I475						
10	900 380 012 09	hexagon nut		2							
11	996 343 515 05	deep-groove ball bearing with housing		2							
12	997 343 569 00	clip		2	CARRERA 2						
13	900 377 010 09	hexagon nut		2	CARRERA 2						
-	900 378 111 09	hexagon-head bolt M 6 X 60		2	CARRERA 2						
14 A	997 618 105 03	control unit shock absorber	05	1	CARRERA 2						
(14)	997 618 105 04	control unit shock absorber	06-	1	CARRERA 2						
15	999 703 457 40	cover		2	I475						
(15)	999 703 429 40	cover		2							
16	997 606 111 01	acceleration sensor body		2							
		- - - E N D - - -									

Model	Year	MG	SG	Illustration	Restrictions	Update	13:19	17.11.2005	PORSCHE	PET	PORSCHE
997	06	4	02	402-01		194					

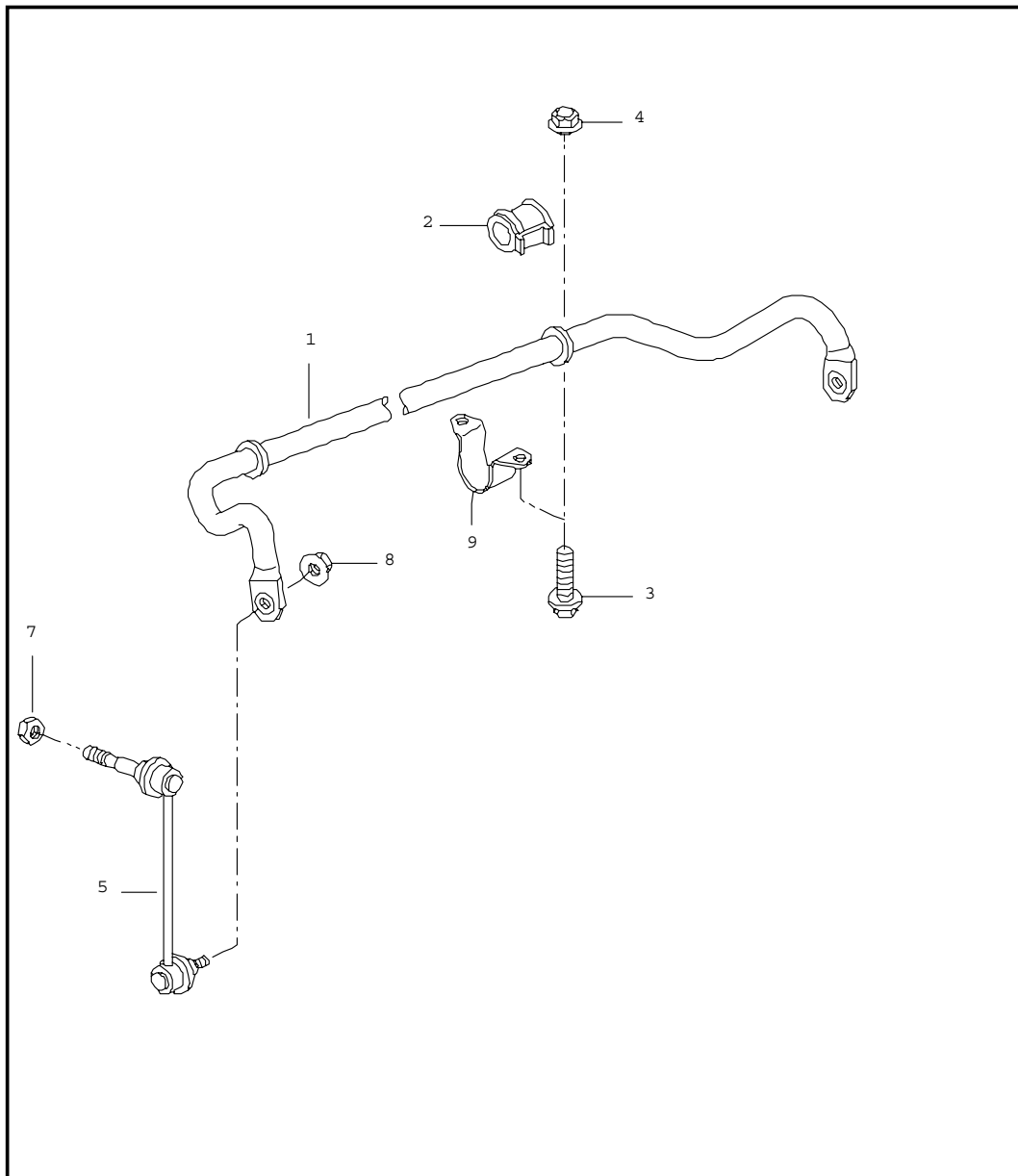


Pos	Part Number	Name	Remarks	Qty	Model
1	A 997 343 043 02	springs shock absorber strut shock absorber	/L	1	I029 CARRERA 4
(1)	N 997 343 043 04	shock absorber	/L	1	I029 CARRERA 4
(1)	A 997 343 044 02	shock absorber	/R	1	I029 CARRERA 4
(1)	N 997 343 044 04	shock absorber	/R	1	I029 CARRERA 4
(1)	P 997 343 043 05	shock absorber	/L	1	I030/I480 CARRERA 4 CARRERA 4-S
(1)	P 997 343 044 05	shock absorber	/R	1	I030/I480 CARRERA 4 CARRERA 4-S
(1)	997 343 047 08	shock absorber	/L	1	I475 CARRERA 4 CARRERA 4-S
(1)	997 343 048 08	shock absorber	/R	1	I475 CARRERA 4 CARRERA 4-S
-	900 378 138 09	mount shock absorber hexagon-head bolt M 12 X 1,5 X 70		2	
-	999 084 445 09	lock nut M 12 X 1,5		2	
2	996 343 521 01	concave washer		2	
(4)	997 343 533 00	coil spring 1 set		1	I029 I480/I249
	504	marked brown white			CABRIO CARRERA 4
(4)	997 343 533 02	coil spring 1 set		1	I029 I480/I249
	504	marked brown yellow			COUPE CARRERA 4
4	997 343 533 04	coil spring 1 set		1	I475

Model	Year	MG	SG	Illustration	Restrictions	Update	13:19	17.11.2005	PORSCHE	PET	PORSCHE
997	06	4	02	402-01		194					

Pos	Part Number	Name	Remarks	Qty	Model	Pos	Part Number	Name	Remarks	Qty	Model
	504	marked yellow white						- - - E N D - - -			
5	996 343 509 01	bellows		2							
(5)	996 343 301 02	additional spring		2	I029						
6	997 333 105 01	additional spring		2	I475						
7	996 343 513 00	washer		2							
(7)	997 343 107 01	stop plate		1							
8	997 343 107 01	stop plate		4	I475						
9	996 343 525 00	compensating plate 3,0 MM		2							
(9)	996 343 525 01	compensating plate 6,5 MM		2							
12	997 343 015 00	supporting mount	/L	1							
(12)	997 343 016 00	supporting mount	/R	1							
13	900 380 012 09	hexagon nut M 14 X 1,5		2							
14	900 378 191 09	hexagon-head bolt M 6 X 55		2							
15	900 377 010 09	hexagon nut M 6		2							
(16)	997 343 107 01	stop plate		2							
16	997 343 107 00	stop plate		2	I475						
17	997 618 115 03	control unit shock absorber		1							
-	999 703 457 40	cover		2							
-	997 606 111 00	acceleration sensor body		1							
-	900 378 111 09	hexagon-head bolt M 6 X 60		2							
18	997 343 569 00	clip		2							
19	900 377 010 09	hexagon nut M 6		2							
-	900 378 191 09	hexagon-head bolt M 6 X 55		2							

Model	Year	MG	SG	Illustration	Restrictions	Update	13:19	17.11.2005	PORSCHE	PET	PORSCHE
997	06	4	02	402-05		194					



Pos	Part Number	Name	Remarks	Qty	Model
		stabiliser			
1	997 343 701 03	stabiliser		1	CARRERA 2 COUPE CABRIO I029/480
(1)	997 343 701 04	stabiliser		1	CARRERA 2 COUPE I029/249
(1)	997 343 701 05	stabiliser		1	CARRERA 2 CABRIO I029/249
(1)	997 343 701 04	stabiliser		1	CARRERA 2 CARRERA 2-S COUPE I030
(1)	997 343 701 04	stabiliser		1	CARRERA 2 COUPE I475
(1)	997 343 701 05	stabiliser		1	CARRERA 2 CABRIO I475
(1)	997 343 701 04	stabiliser		1	CARRERA 2-S COUPE CABRIO I475
(1)	997 343 703 04	stabiliser		1	CARRERA 4 COUPE I030/480
				1	CARRERA 4-S COUPE I030/480
(1)	997 343 703 05	stabiliser		1	CARRERA 4 COUPE I029
				1	CARRERA 4 CABRIO I029
(1)	997 343 703 06	stabiliser		1	CARRERA 4 COUPE I475
				1	CARRERA 4 CABRIO I475

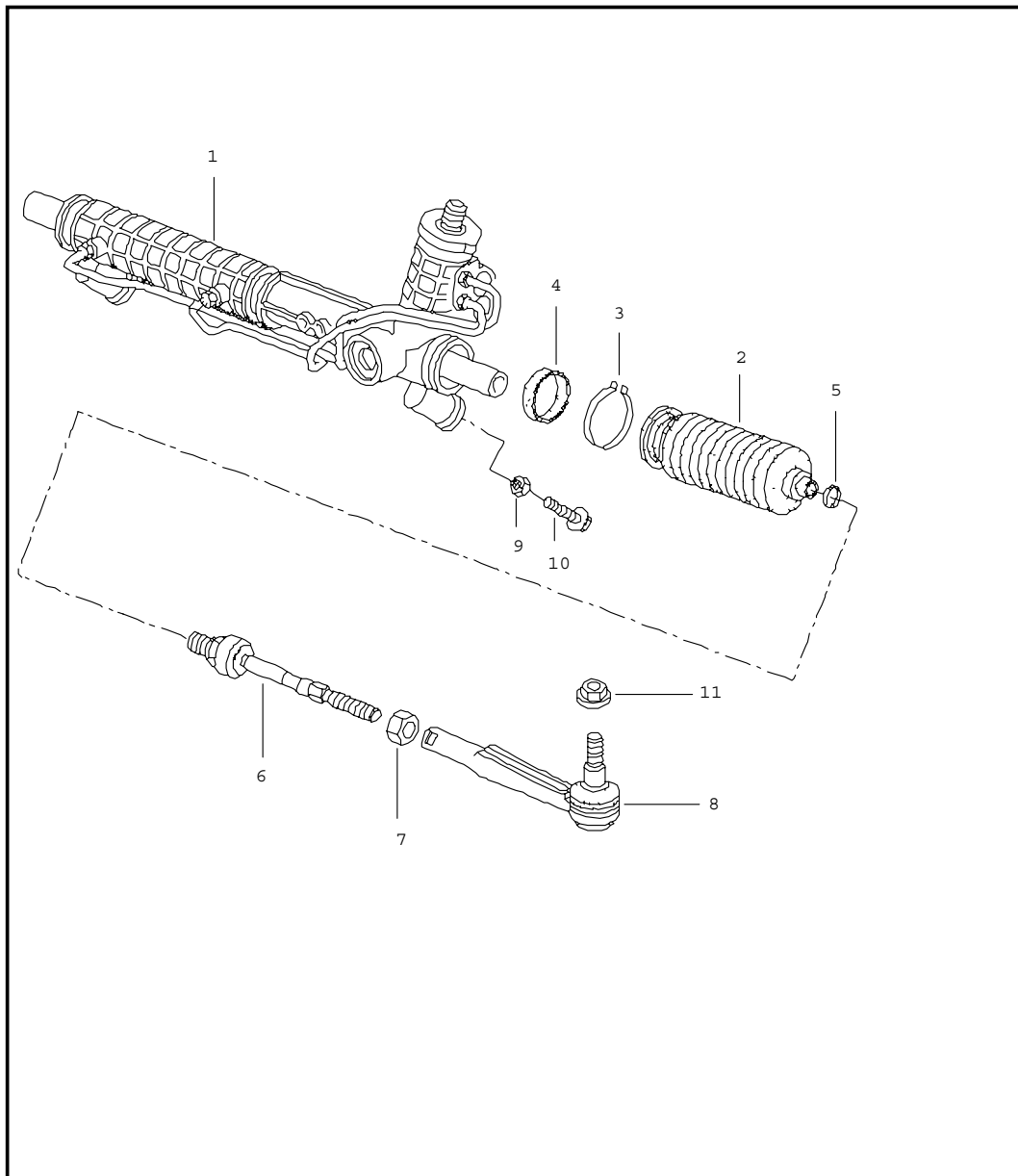
Model	Year	MG	SG	Illustration	Restrictions	Update	13:19	17.11.2005	PORSCHE	PET	PORSCHE
997	06	4	02	402-05		194					

Pos	Part Number	Name	Remarks	Qty	Model	Pos	Part Number	Name	Remarks	Qty	Model
(1)	997 343 703 06	stabiliser		1	CARRERA 4-S COUPE I475	4	900 380 008 09	hexagon nut M 10		4	CARRERA 4 CARRERA 4-S
				1	CARRERA 4-S CABRIO I475	5	997 343 069 00	stabiliser mounting  see technical manual group 4 NR.407719	/L	1	CARRERA 2 CARRERA 2-S
2	996 343 792 12	stabiliser mounting		2	CARRERA 2 I029/480	(5)	997 343 069 01	stabiliser mounting  see technical manual group 4 NR.407819	/L	1	CARRERA 2 CARRERA 2-S
(2)	996 343 792 17	stabiliser mounting		2	CARRERA 2 I029/480	(5)	997 343 073 02	stabiliser mounting	/L	1	CARRERA 4 CARRERA 4-S
				2	CARRERA 2 COUPE CABRIO	(5)	997 343 070 00	stabiliser mounting  see technical manual group 4 NR.407819	/R	1	CARRERA 2 CARRERA 2-S
				2	CARRERA 2 CARRERA 2-S COUPE I030	(5)	997 343 070 01	stabiliser mounting  see technical manual group 4 NR.407819	/R	1	CARRERA 2 CARRERA 2-S
				2	CARRERA 2 CARRERA 2-S COUPE CABRIO I475	(5)	997 343 074 02	stabiliser mounting	/R	1	CARRERA 4 CARRERA 4-S
(2)	997 343 792 00	stabiliser mounting		2	CARRERA 4 COUPE I030/480	(5)	997 343 074 02	stabiliser mounting	/R	1	CARRERA 4 CARRERA 4-S
				2	CARRERA 4-S COUPE I030/480	7	999 084 445 09	lock nut M 12 X 1,5 see technical manual group 4 NR.407819		2	CARRERA 2 CARRERA 2-S
(2)	996 343 792 11	stabiliser mounting		2	CARRERA 4 COUPE I029	(7)	999 084 123 09	hexagon nut M 10 see technical manual group 4 NR.707819		2	CARRERA 2 CARRERA 2-S
				2	CARRERA 4 CABRIO I029	(7)	999 084 445 09	hexagon nut M 12 x 1,5 see technical manual group 4 NR.407819		2	CARRERA 4 CARRERA 4-S
(2)	996 343 792 12	stabiliser mounting		2	CARRERA 4 COUPE I475	8	999 084 643 09	hexagon nut M10 see technical manual group 4 NR.407819		2	CARRERA 2 CARRERA 2-S
				2	CARRERA 4 CABRIO I475						
				2	CARRERA 4-S COUPE I475						
				2	CARRERA 4-S CABRIO I475						
3	900 378 098 09	hexagon-head bolt M 10 X 60		4							

Model	Year	MG	SG	Illustration	Restrictions	Update					
997	06	4	02	402-05		194	13:19	17.11.2005	PORSCHE	PET	PORSCHE

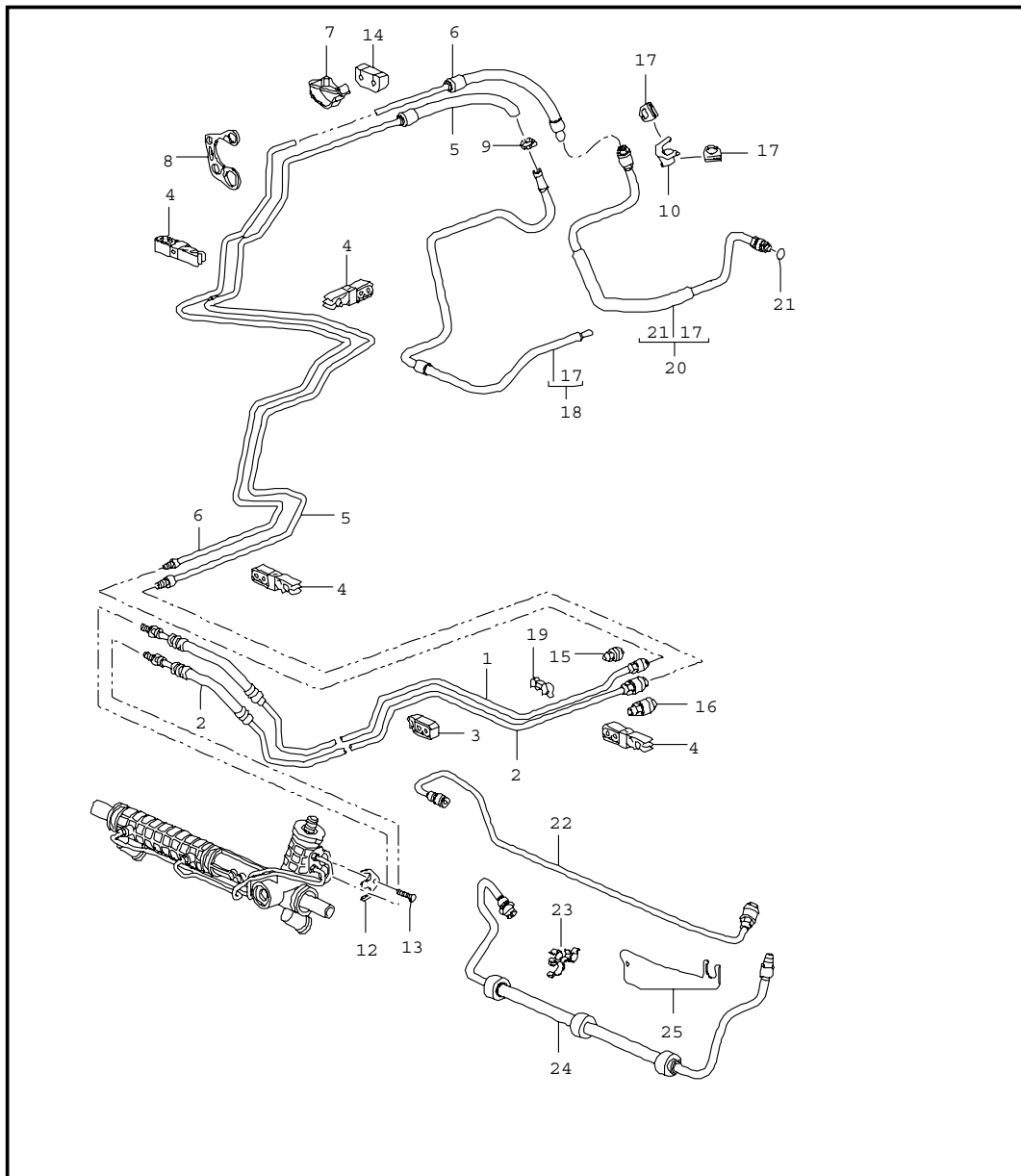
Pos	Part Number	Name	Remarks	Qty	Model	Pos	Part Number	Name	Remarks	Qty	Model
(8)	999 084 123 09	hexagon nut M 10 see technical manual group 4 NR.407819		2	CARRERA 2 CARRERA 2-S						
(8)	999 084 123 09	hexagon nut M 10		2	CARRERA 4 CARRERA 4-S						
9	997 343 777 01	clip		2	CARRERA 4 CARRERA 4-S						
		- - - E N D - - -									

Model	Year	MG	SG	Illustration	Restrictions	Update	13:19	17.11.2005	PORSCHE	PET	PORSCHE
997	06	4	03	403-00		194					



Pos	Part Number	Name	Remarks	Qty	Model
		power steering steering gear steering parts			
1	997 347 011 03	steering gear power steering		1	I098
-	996 347 110 02	clip pinion steering gear		1	
2	997 347 191 00	bellows		2	
3	996 347 293 04	clamping ring		2	
4	996 347 373 01	sealing ring		2	
5	999 512 693 09	clamping ring		2	
6	997 347 322 00	joint		2	
7	999 034 037 09	hexagon nut M 14 X 1,5		2	
8	996 347 131 04	track rod		2	
9	-	see illustrations 4/01/00 POS.2			
10	900 378 100 09	hexagon-head bolt AM 10 X 45		2	
11	999 084 449 09	hexagon nut M 12 X 1,5		2	
- - - E N D - - -					

Model	Year	MG	SG	Illustration	Restrictions	Update	13:19	17.11.2005	PORSCHE	PET	PORSCHE
997	06	4	03	403-01		194					

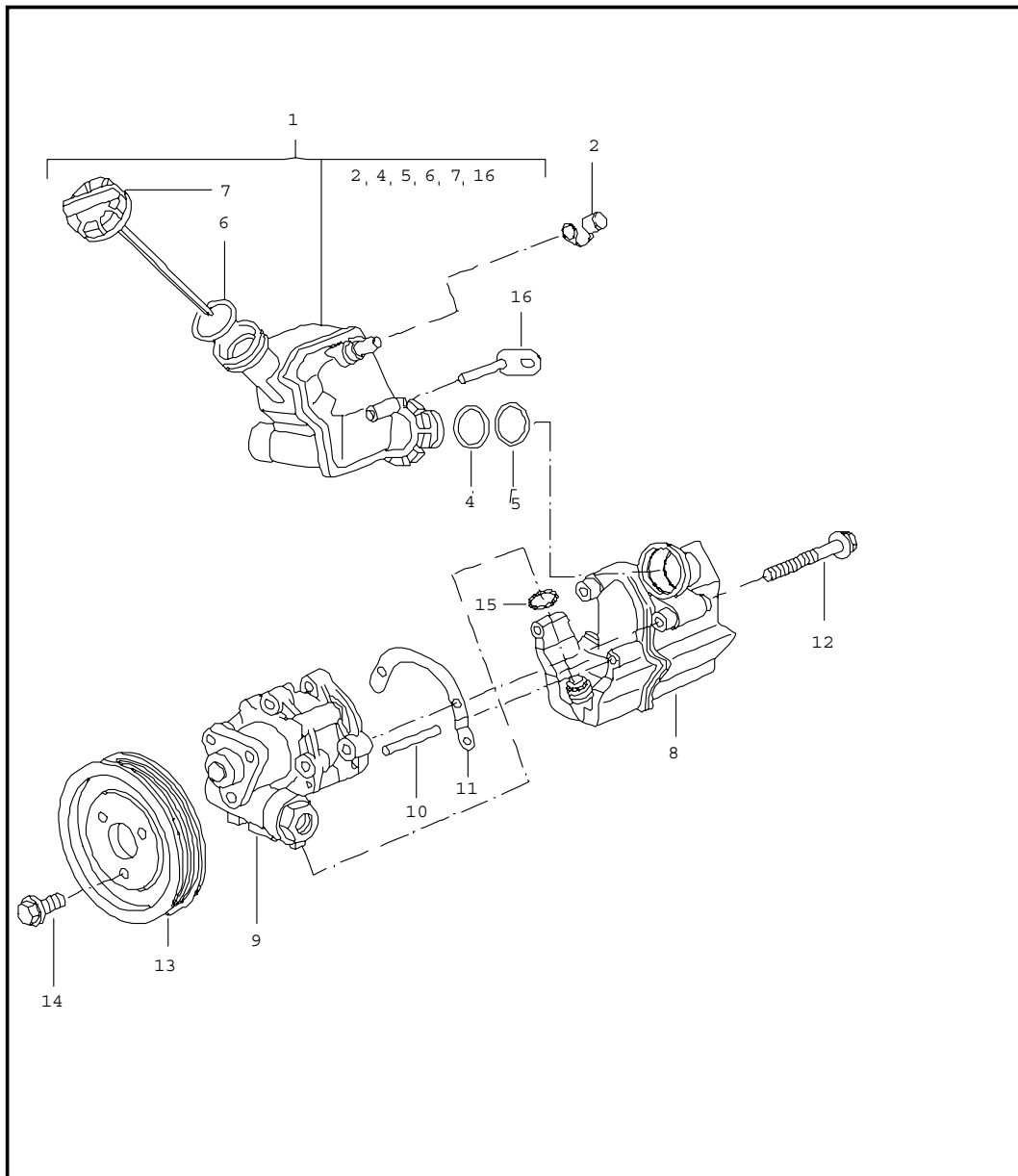


Pos	Part Number	Name	Remarks	Qty	Model
		power steering lines			
1	997 347 451 02	pressure line		1	I098
2	997 347 449 02	return line		1	CARRERA 2 CARRERA 2-S I098
(2)	987 347 449 00	return line		1	CARRERA 4 CARRERA 4-S I098
3	996 347 543 00	cable holder		X	
4	996 355 543 00	support		1	
5	997 347 439 01	return line centre		1	CARRERA 2 CARRERA 2-S
(5)	997 347 439 02	return line centre		1	CARRERA 4 CARRERA 4-S
6	997 347 445 01	pressure line centre F >>995S7 41101		1	CARRERA 2 CARRERA 2-S
(6)	997 347 445 02	pressure line centre F 995S7 41102>>		1	CARRERA 2 CARRERA 2-S
(6)	997 347 445 02	pressure line centre		1	CARRERA 4 CARRERA 4-S
7	996 347 549 01	support		2	
8	997 347 544 00	support		1	
9	999 512 639 09	spring clamp		1	
-	999 707 503 40	sealing ring pressure line		1	
-	999 230 551 10	threaded joint NW 10		1	
-	999 230 552 10	threaded joint NW 6		1	
-	999 230 683 40	safety clip for threaded joint pressure line		1	
-	999 230 584 40	circlip for threaded joint return line		1	I098

Model	Year	MG	SG	Illustration	Restrictions	Update	13:19	17.11.2005	PORSCHE	PET	PORSCHE
997	06	4	03	403-01		194					

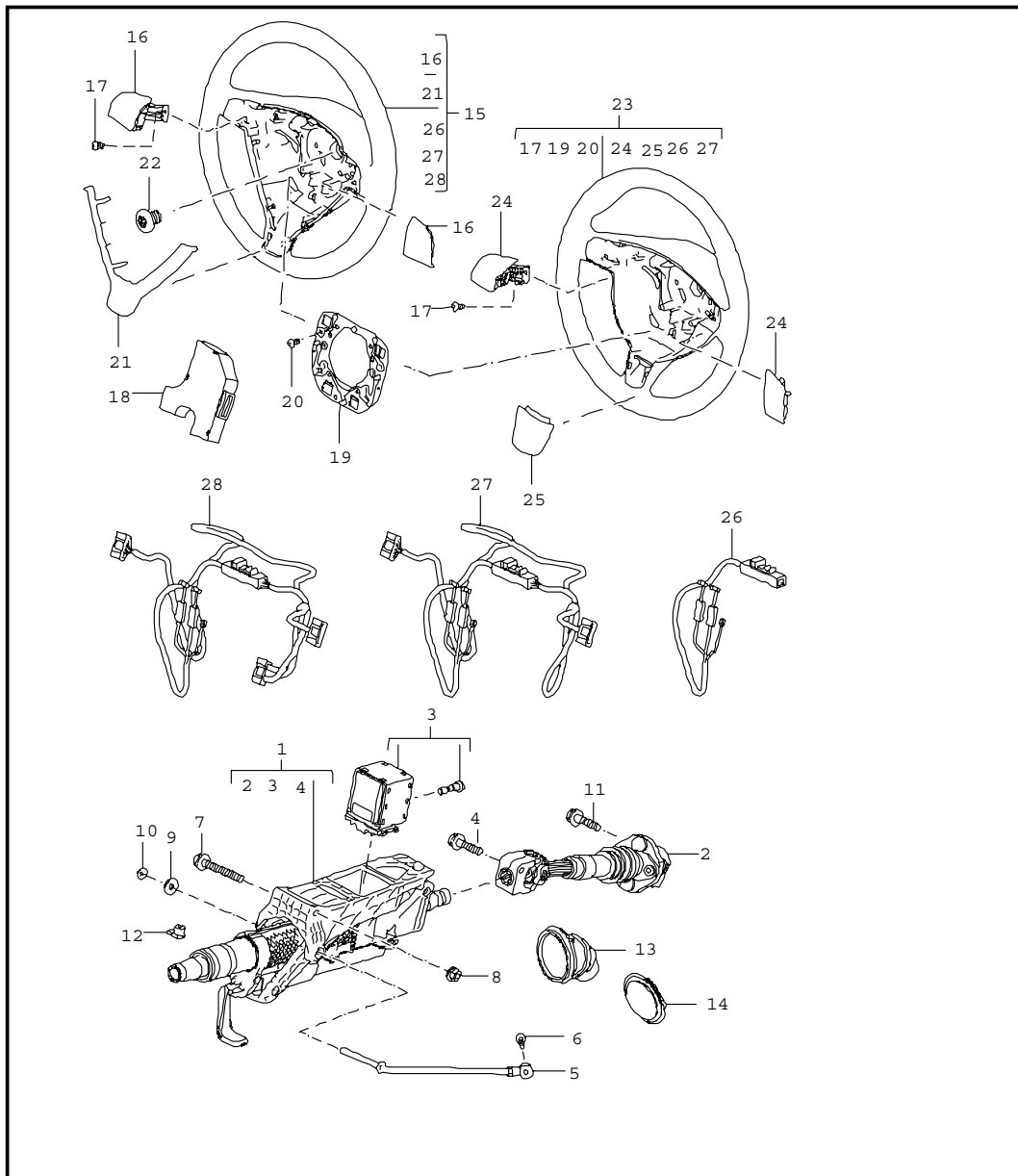
Pos	Part Number	Name	Remarks	Qty	Model	Pos	Part Number	Name	Remarks	Qty	Model
-	999 230 584 40	circlip for threaded joint return line		2	I099						
10	997 347 749 00	support		1							
12	996 347 769 01	tension shackle		1							
13	900 067 063 02	pan-head screw M 10 X 20		1							
14	996 347 551 01	retainer plate		1							
15	999 230 539 10	threaded joint		1							
16	999 230 540 10	threaded joint		1							
17	999 702 210 40	rubber sleeve		2							
18	997 347 441 02	return line		1							
19	999 507 575 40	hose holder		1							
20	997 347 443 00	pressure line		1							
21	999 707 503 40	sealing ring		1							
22	997 347 564 02	pressure line		1	I099						
23	999 507 963 40	support		1	I099						
24	997 347 462 01	return line		1	I099						
25	997 347 560 00	support		1	I099						
		- - - E N D - - -									

Model	Year	MG	SG	Illustration	Restrictions	Update	13:19	17.11.2005	PORSCHE	PET	PORSCHE
997	06	4	03	403-03		194					



Pos	Part Number	Name	Remarks	Qty	Model
		power steering power-steering pump container			
1	997 314 225 00	expansion tank		1	
2	997 314 332 00	rubber cap		1	
4	999 707 362 40	sealing ring		1	
5	999 707 363 40	sealing ring		1	
6	999 701 154 40	sealing ring		1	
7	997 314 223 00	cover		1	
(8)	997 314 220 00	oil tank		1	
9	996 314 050 02	power-steering pump		1	
10	996 314 320 03	straight pin		2	
11	996 314 431 05	bracket		1	
12	900 378 105 09	hexagon-head bolt AM 8 X 70		2	
13	996 147 223 60	pulley		1	
14	900 378 123 09	hexagon-head bolt M 8 X 12		3	
15	999 707 204 40	sealing ring 12.5 X 2N		1	
16	996 314 551 00	bracket for container		1	
-	000 043 203 33	pentosin 1000 ML		X	
		- - - E N D - - -			

Model	Year	MG	SG	Illustration	Restrictions	Update	13:20	17.11.2005	PORSCHE	PET	PORSCHE
997	06	4	03	403-05		194					



Pos	Part Number	Name	Remarks	Qty	Model
1	997 347 007 05	steering outer tube steering shaft steering wheels		1	
(1)	997 347 007 07	steering column complete with steering shaft		1	
2	997 347 023 02	intermed. steering shaft		1	
3	997 618 158 03	control unit steering column with screw		1	
4	999 217 042 09	hexagon-head bolt M 8 X 35		1	
5	997 347 243 00	support		1	
6	900 378 173 09	hexagon-head bolt AM 6 X 20		1	
7	900 378 095 09	hexagon-head bolt M 10 X 100		1	
8	900 380 008 09	hexagon nut M 10		1	
9	900 151 006 09	washer		1	
10	999 507 217 07	clamping washer		1	
11	999 217 042 09	hexagon-head bolt M 8 X 35		1	
12	999 920 019 40	special nut 3,5 X 2,5 X 9		1	
13	986 347 037 01	bellows		1	
14	996 347 339 02	rubber seal bulkhead		1	
15	997 347 804 03	steering wheel leather embossed		1	I436/I480
	FOA	black			
	FOB	stone grey			

Model	Year	MG	SG	Illustration	Restrictions	Update	13:20	17.11.2005	PORSCHE	PET	PORSCHE
997	06	4	03	403-05		194					

Pos	Part Number	Name	Remarks	Qty	Model	Pos	Part Number	Name	Remarks	Qty	Model
		FOC sand beige				(15)	997 347 804 11	steering wheel plain leather		1	I459/I249
		FOD palmgreen					FOK	black/grey			
		FOE sea blue					FOL	stone grey/stone grey			
		FOF terracotta					FOM	sand beige/sand beige			
		FOG cocoa					FON	palm-green/palm-green			
		FOH dark grey/natural					FOO	seeblue/grey			
		FOJ brown/natural					FOP	terrakotta/terrakotta			
(15)	997 347 804 04	steering wheel leather embossed		1	I436/I249		FOQ	cocoa/cocoa			
		FOA black					FOR	darkgrey natural/grey			
		FOB stone grey					FOS	brown nat./brown nat.			
		FOC sand beige				(15)	997 347 804 05	steering wheel plain leather multiple function		1	I431/I480
		FOD palmgreen					FOK	black/grey			
		FOE sea blue					FOL	stone grey/stone grey			
		FOF terracotta					FOM	sand beige/sand beige			
		FOG cocoa					FON	palm-green/palm-green			
		FOH dark grey/natural					FOO	seeblue/grey			
		FOJ brown/natural					FOP	terrakotta/terrakotta			
(15)	997 347 804 01	steering wheel plain leather		1	I459/I480		FOQ	cocoa/cocoa			
		FOK black/grey					FOR	darkgrey natural/grey			
		FOL stone grey/stone grey					FOS	brown nat./brown nat.			
		FOM sand beige/sand beige				(15)	997 347 804 06	steering wheel plain leather multiple function		1	I431/I249
		FON palm-green/palm-green					FOK	black/grey			
		FOO seeblue/grey					FOL	stone grey/stone grey			
		FOP terrakotta/terrakotta					FOM	sand beige/sand beige			
		FOQ cocoa/cocoa					FON	palm-green/palm-green			
		FOR darkgrey natural/grey					FOO	seeblue/grey			
		FOS brown nat./brown nat.					FOP	terrakotta/terrakotta			

Model	Year	MG	SG	Illustration	Restrictions	Update	13:20	17.11.2005	PORSCHE	PET	PORSCHE
997	06	4	03	403-05		194					

Pos	Part Number	Name	Remarks	Qty	Model	Pos	Part Number	Name	Remarks	Qty	Model
(15)	997 347 804 22	FOQ cocoa/cocoa		1	I451/I480	(15)	997 347 804 33	FOL stone grey/stone grey		1	I452/I249
		FOR darkgrey natural/grey						FOM sand beige/sand beige			
		FOS brown nat./brown nat.						FON palm-green/palm-green			
		steering wheel						FOO seeblue/grey			
		multiple function						FOP terrakotta/terrakotta			
		wood						FOQ cocoa/cocoa			
		makassar						FOR darkgrey natural/grey			
		FOK black/grey						FOS brown nat./brown nat.			
		FOL stone grey/stone grey						steering wheel			
		FOM sand beige/sand beige						multiple function			
FON palm-green/palm-green		wood									
FOO seeblue/grey		sycamore wood									
FOP terrakotta/terrakotta		FOK black/grey									
FOQ cocoa/cocoa		FOL stone grey/stone grey									
FOR darkgrey natural/grey		FOM sand beige/sand beige									
FOS brown nat./brown nat.		FON palm-green/palm-green									
(15)	997 347 804 32	steering wheel		1	I451/I249	(15)	997 347 804 24	FOO seeblue/grey		1	I453/I480
		multiple function						FOP terrakotta/terrakotta			
		wood						FOQ cocoa/cocoa			
		makassar						FOR darkgrey natural/grey			
		FOK black/grey						FOS brown nat./brown nat.			
		FOL stone grey/stone grey						steering wheel			
		FOM sand beige/sand beige						multiple function			
		FON palm-green/palm-green						carbon			
		FOO seeblue/grey						FOK black/grey			
		FOP terrakotta/terrakotta						FOL stone grey/stone grey			
FOQ cocoa/cocoa		FOM sand beige/sand beige									
FOR darkgrey natural/grey		FON palm-green/palm-green									
FOS brown nat./brown nat.		FOO seeblue/grey									
(15)	997 347 804 23	steering wheel		1	I452/I480	(15)	997 347 804 24	FOP terrakotta/terrakotta		1	I453/I480
		multiple function						FOQ cocoa/cocoa			
		wood						FOR darkgrey natural/grey			
		sycamore wood						steering wheel			
		FOK black/grey						multiple function			
								carbon			
								FOK black/grey			
								FOL stone grey/stone grey			
								FOM sand beige/sand beige			
								FON palm-green/palm-green			
		FOO seeblue/grey									
		FOP terrakotta/terrakotta									
		FOQ cocoa/cocoa									
		FOR darkgrey natural/grey									

Model	Year	MG	SG	Illustration	Restrictions	Update	13:20	17.11.2005	PORSCHE	PET	PORSCHE
997	06	4	03	403-05		194					

Pos	Part Number	Name	Remarks	Qty	Model	Pos	Part Number	Name	Remarks	Qty	Model
		FOS brown nat./brown nat.					V04	galvano silver			
(15)	997 347 804 34	steering wheel multiple function carbon		1	I453/I249	(16)	997 613 433 01	gearshift unit multiple function manual transmission	/L 05	1	I480
		FOK black/grey					V04	galvano silver			
		FOL stone grey/stone grey				(16)	997 613 433 02	gearshift unit multiple function manual transmission	/L 06-	1	I480
		FOM sand beige/sand beige					V04	galvano silver			
		FON palm-green/palm-green				(16)	997 613 434 01	gearshift unit multiple function manual transmission	/R 05	1	I480
		FOO seeblue/grey					V04	galvano silver			
		FOP terrakotta/terrakotta				(16)	997 613 434 02	gearshift unit multiple function manual transmission	/R 06-	1	I480
		FOQ cocoa/cocoa					V04	galvano silver			
		FOR darkgrey natural/grey					V04	galvano silver			
		FOS brown nat./brown nat.					V04	galvano silver			
16	997 347 837 00	cover	/L	1	I480		V04	galvano silver			
		V04 galvano silver				(16)	997 613 435 01	gearshift unit multiple function with tiptronic lever	/L 05	1	I249
(16)	997 347 838 00	cover	/R	1	I480		V04	galvano silver			
		V04 galvano silver				(16)	997 613 431 01	gearshift unit with tiptronic lever	/L 05	1	I249
		V04 galvano silver					V04	galvano silver			
(16)	997 613 431 02	gearshift unit with tiptronic lever	/L 06-	1	I249	(16)	997 613 435 02	gearshift unit multiple function with tiptronic lever	/L 06-	1	I249
		V04 galvano silver					V04	galvano silver			
(16)	997 613 432 01	gearshift unit with tiptronic lever	/R 05	1	I249	(16)	997 613 436 01	gearshift unit multiple function with tiptronic lever	/R 05	1	I249
		V04 galvano silver					V04	galvano silver			
(16)	997 613 432 02	gearshift unit with tiptronic lever	/R 06-	1	I249	(16)	997 613 436 02	gearshift unit multiple function with tiptronic lever	/R 06-	1	I249
		V04 galvano silver					V04	galvano silver			

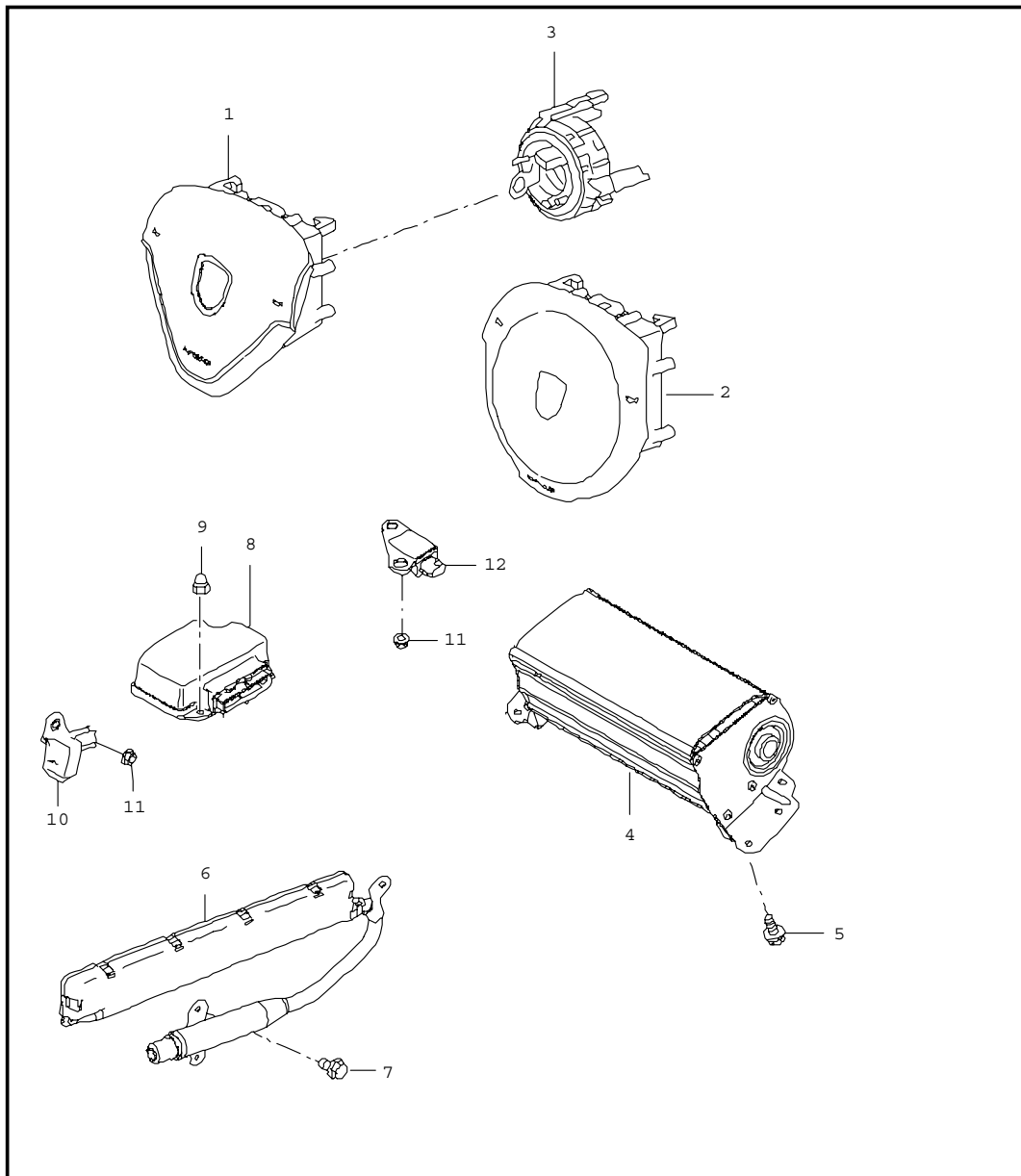
Model	Year	MG	SG	Illustration	Restrictions	Update	13:20	17.11.2005	PORSCHE	PET	PORSCHE
997	06	4	03	403-05		194					

Pos	Part Number	Name	Remarks	Qty	Model	Pos	Part Number	Name	Remarks	Qty	Model
17	999 073 318 09	half-round screw M 4 X 10		2			FOH	dark grey/natural			
18	997 613 445 01	electronic unit multiple function		1	I431/I451/ I452/I453	(23)	FOJ	brown/natural			
19	997 347 880 00	retaining frame		1			997 347 804 41	sports steering wheel plain leather		1	I460/I480
20	999 141 022 09	round head screw M 5 X 12,5		4			FOK	black/grey			
21	997 347 821 00	cover		1			FOL	stone grey/stone grey			
	D07	volcano grey					FOM	sand beige/sand beige			
22	N 910 207 01	screw M 18 X 1,5 X 26		1			FON	palm-green/palm-green			
23	997 347 804 40	sports steering wheel leather embossed		1	I435/I480		FOO	seeblue/grey			
	FOA	black					FOP	terrakotta/terrakotta			
	FOB	stone grey					FOQ	cocoa/cocoa			
	FOC	sand beige				(23)	FOR	darkgrey natural/grey			
	FOD	palmgreen					FOS	brown nat./brown nat.			
	FOE	sea blue					997 347 804 51	sports steering wheel plain leather		1	I460/I249
	FOF	terracotta					FOK	black/grey			
	FOG	cocoa					FOL	stone grey/stone grey			
	FOH	dark grey/natural					FOM	sand beige/sand beige			
	FOJ	brown/natural					FON	palm-green/palm-green			
(23)	997 347 804 50	sports steering wheel leather embossed		1	I435/I249		FOO	seeblue/grey			
	FOA	black					FOP	terrakotta/terrakotta			
	FOB	stone grey					FOQ	cocoa/cocoa			
	FOC	sand beige					FOR	darkgrey natural/grey			
	FOD	palmgreen					FOS	brown nat./brown nat.			
	FOE	sea blue				24	997 347 837 40	cover	/L	1	I480
	FOF	terracotta					V04	galvano silver			
	FOG	cocoa				(24)	997 347 838 40	cover	/R	1	I480
							V04	galvano silver			
						(24)	997 613 437 00	gearshift unit with tiptronic lever	/L 05	1	I249

Model	Year	MG	SG	Illustration	Restrictions	Update	13:20	17.11.2005	PORSCHE	PET	PORSCHE
997	06	4	03	403-05		194					

Pos	Part Number	Name	Remarks	Qty	Model	Pos	Part Number	Name	Remarks	Qty	Model
	V04	galvano silver									
(24)	997 613 437 02	gearshift unit with tiptronic lever	/R 06-	1	I249						
	V04	galvano silver									
(24)	997 613 438 00	gearshift unit with tiptronic lever	/R 05	1	I249						
	V04	galvano silver									
(24)	997 613 438 02	gearshift unit with tiptronic lever	/R 06-	1	I249						
	V04	galvano silver									
25	997 347 821 40	cover		1							
	V04	galvano silver									
26	997 612 672 00	wiring harness 3-spoke steering wheel sports steering wheel without multiple function manual transmission		1	I480						
	V04	galvano silver									
27	997 612 674 00	wiring harness 3-spoke steering wheel sports steering wheel without multiple function tiptronic		1	I249						
	V04	galvano silver									
28	997 612 673 00	wiring harness 3-spoke steering wheel with multiple function manual transmission tiptronic		1	I431/I451/ I452/I453						
		- - - E N D - - -									

Model	Year	MG	SG	Illustration	Restrictions	Update	13:20	17.11.2005	PORSCHE	PET	PORSCHE
997	06	4	03	403-06		194					

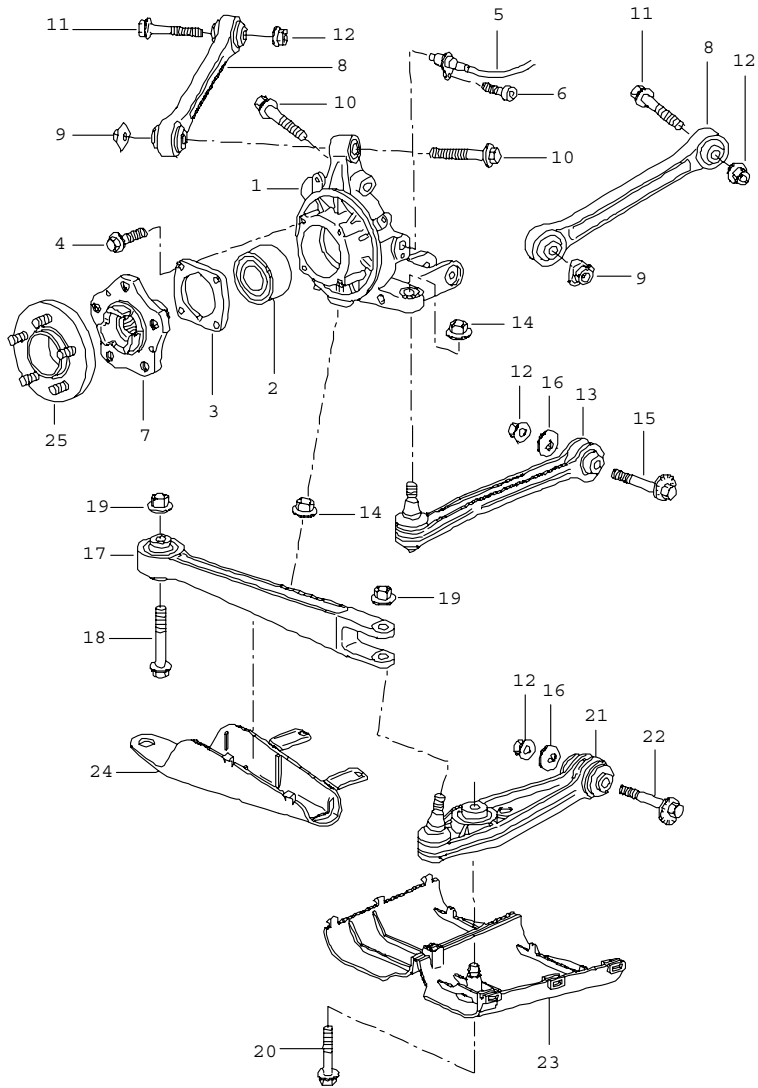


Pos	Part Number	Name	Remarks	Qty	Model
1	997 803 089 05	airbag airbag unit 3-spoke steering wheel plastic material emblem coloured		1	I436
	A32	black			
	B22	stone grey			
	T22	sand beige			
	E22	sea blue			
	J22	palmgreen			
	M22	terracotta			
	R32	cocoa			
	T32	brown/natural			
(1)	997 803 089 06	airbag unit 3-spoke steering wheel leather emblem coloured		1	I431/I451/ I452/I453/ I459/I991
	A34	black			
	B24	stone grey			
	T24	sand beige			
	E24	sea blue			
	J24	palmgreen			
	M24	terracotta			
	R24	cocoa			
	D14	dark grey/natural			
	T34	brown/natural			
2	997 803 089 07	airbag unit sports steering wheel plastic material emblem coloured		1	I435
	A32	black			
	B22	stone grey			

Model	Year	MG	SG	Illustration	Restrictions	Update	13:20	17.11.2005	PORSCHE	PET	PORSCHE
997	06	4	03	403-06		194					

Pos	Part Number	Name	Remarks	Qty	Model	Pos	Part Number	Name	Remarks	Qty	Model
	T22	sand beige				8	A 997 618 217 04	control unit		1	COUPE
	E22	sea blue				(8)	A 997 618 217 05	control unit		1	COUPE
	J22	palmgreen				(8)	997 618 217 07	control unit		1	COUPE
	M22	terracotta				(8)	A 997 618 219 03	control unit		1	CABRIO
	R32	cocoa				(8)	997 618 219 05	control unit		1	CABRIO
	T32	brown/natural						F >>995S7 55198 F >>995S7 65209			
(2)	997 803 089 08	airbag unit sports steering wheel leather emblem coloured		1	I460/I991	(8)	997 618 219 07	control unit F 995S7 55199>> F 995S7 65210>>		1	CABRIO
	A34	black				(8)	997 618 219 08	control unit	06-	1	
	B24	stone grey				9	999 070 015 02	cap nut M 6		3	
	T24	sand beige				10	997 618 221 00	sensor side airbag		2	
	E24	sea blue				11	999 084 629 09	hexagon nut M 6		8	
	J24	palmgreen				12	997 618 223 00	acceleration sensor airbag front		2	
	M24	terracotta						- - - E N D - - -			
	R24	cocoa									
	D14	dark grey/natural									
	T34	brown/natural									
3	955 652 211 11	spring		1							
4	A 997 803 071 04	airbag unit passenger's side		1							
(4)	997 803 071 05	airbag unit passenger's side		1							
5	900 378 222 09	hexagon-head bolt M 6 X 16		4							
6	997 803 091 03	side airbag for head airbag	/L	1							
(6)	997 803 092 03	side airbag for head airbag	/R	1							
7	900 378 035 09	hexagon-head bolt M 6 X 16		6							

Model	Year	MG	SG	Illustration	Restrictions	Update	13:20	17.11.2005	PORSCHE	PET	PORSCHE
997	06	5	01	501-00		194					

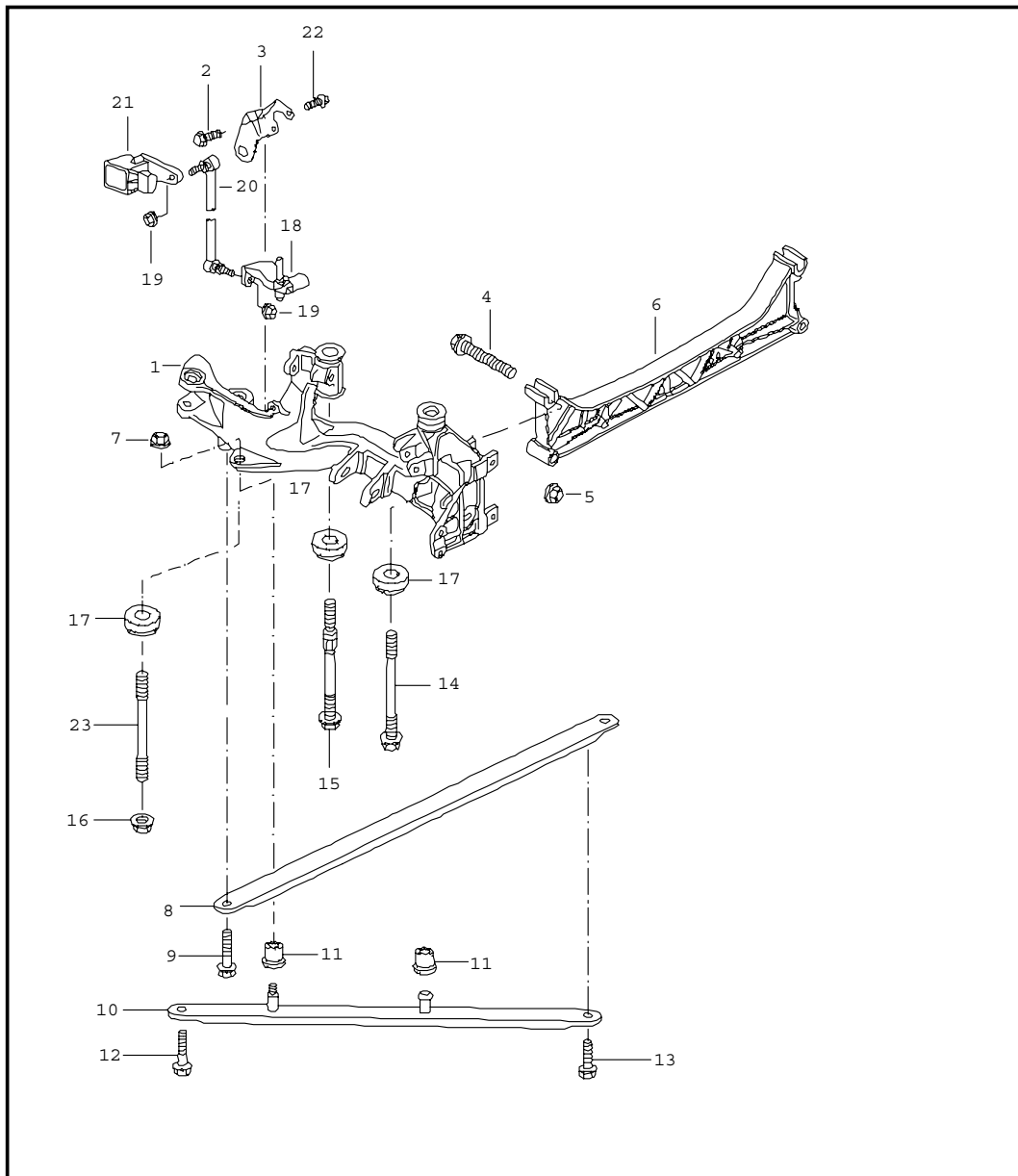


Pos	Part Number	Name	Remarks	Qty	Model
1	997 331 111 06	rear axle wheel carrier control arm wheel hub	/L	1	CARRERA 2 CARRERA 2-S
(1)	997 331 111 07	wheel carrier	/L	1	CARRERA 4 CARRERA 4-S
(1)	997 331 112 06	wheel carrier	/R	1	CARRERA 2 CARRERA 2-S
(1)	997 331 112 07	wheel carrier	/R	1	CARRERA 4 CARRERA 4-S
2	999 053 055 02	angular-contact bearing		2	
3	996 331 661 01	cover		2	
4	999 217 042 09	hexagon-head bolt M 8 X 35		8	
5	997 606 407 01	speed sensor		2	
6	900 067 117 09	pan-head screw M 6 X 16		2	
7	997 331 605 00	wheel hub		2	
(8)	996 331 047 06	control arm	05	2	CARRERA 2 CARRERA 2-S
(8)	997 331 047 00	control arm	06-	2	CARRERA 4 CARRERA 4-S
9	999 084 445 09	lock nut M 12 X 1,5		4	
10	900 378 138 09	hexagon-head bolt M 12 X 70		4	
11	900 378 165 09	hexagon-head bolt M 12 X 95		4	
12	999 084 445 09	lock nut M 12 X 1,5		10	
13	A 996 331 045 12	track rod	05	2	
(13)	997 331 045 04	track rod	06-	2	
14	999 084 449 09	hexagon nut M 12 X 1,5		4	
15	996 331 217 02	eccentric screw M 12 X 83		2	

Model	Year	MG	SG	Illustration	Restrictions	Update	13:20	17.11.2005	PORSCHE	PET	PORSCHE
997	06	5	01	501-00		194					

Pos	Part Number	Name	Remarks	Qty	Model	Pos	Part Number	Name	Remarks	Qty	Model
16	996 331 219 00	eccentric washer		2							
17	997 331 043 01	control arm		2							
18	900 378 051 09	hexagon-head bolt M 14 X 100		2							
19	900 380 012 09	hexagon nut M 14 X 1,5		4							
20	900 378 135 09	hexagon-head bolt M 14 X 75		2							
21	996 341 053 17	control arm		2							
22	996 331 217 03	eccentric screw		2							
23	U 997 331 483 01	lining control arm	05	2							
24	U 997 331 485 00	lining control arm	05	2							
(25)	996 361 605 90	spacer ring 5 mm		2	IXRP CARRERA 2 CARRERA 2-S						
25	996 361 617 00	spacer ring 17 mm with wheel bolt		2	IXRN CARRERA 4 CARRERA 4-S						
		- - - E N D - - -									

Model	Year	MG	SG	Illustration	Restrictions	Update	13:20	17.11.2005	PORSCHE	PET	PORSCHE
997	06	5	01	501-01		194					

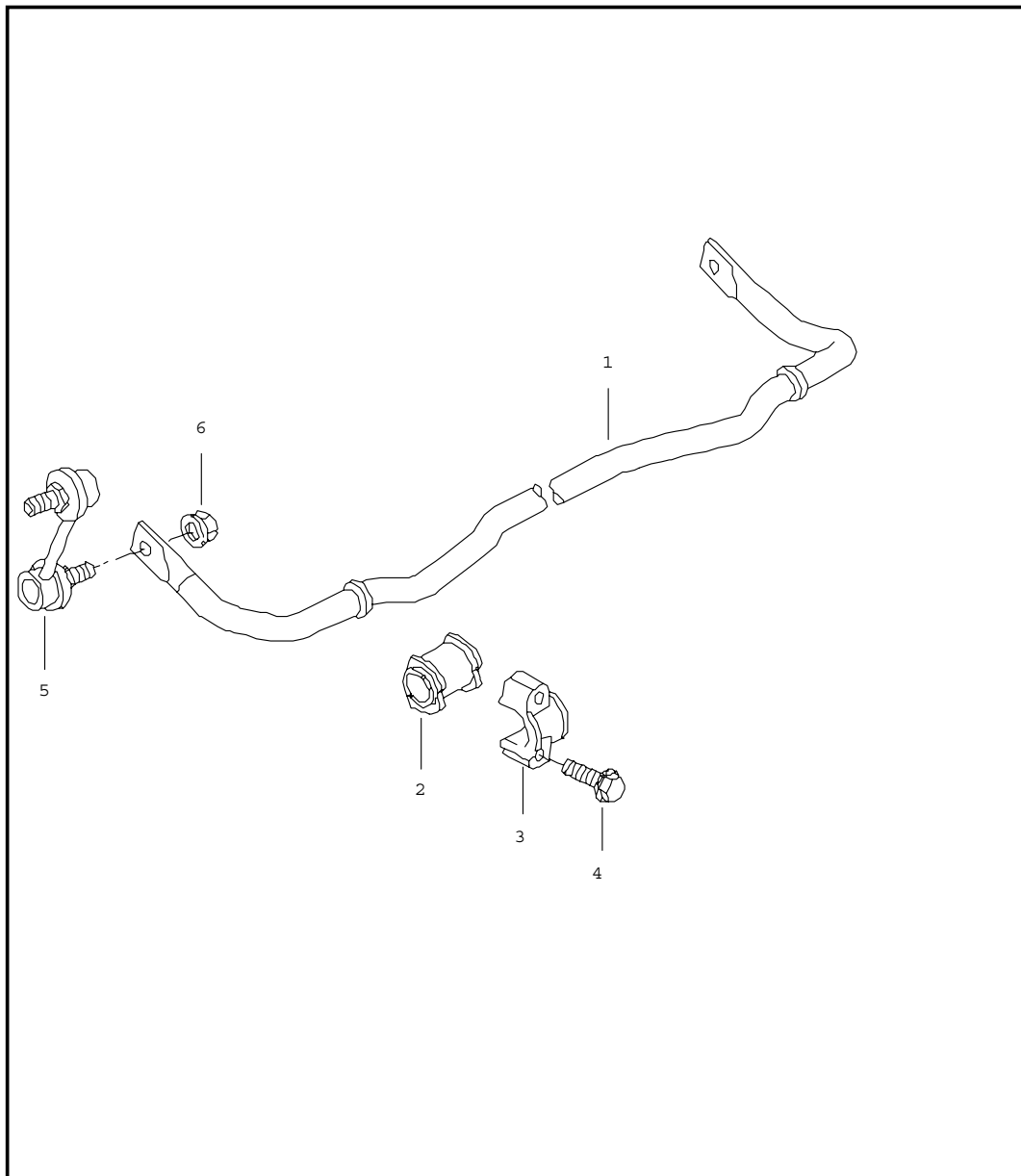


Pos	Part Number	Name	Remarks	Qty	Model
		rear axle side section bracket			
1	A 997 331 051 03	side section	/L	1	
(1)	997 331 051 04	side section	/L	1	
(1)	A 997 331 052 03	side section	/R	1	
(1)	997 331 052 04	side section	/R	1	
2	900 067 117 09	pan-head screw M 6 X 16		2	
3	997 355 505 02	support for brake hose	/L	1	
(3)	997 355 506 02	support for brake hose	/R	1	
4	900 378 139 09	hexagon-head bolt M 12 X 80		4	
5	999 084 445 09	lock nut M 12 X 1,5		4	
6	996 331 261 10	cross member		1	
7	999 076 053 09	hexagon nut M 10		2	
8	996 331 171 03	transverse strut front		1	I480
(8)	996 331 171 04	transverse strut front		1	I249
9	999 072 020 09	hexagon-head bolt M 10 X 40		2	
10	997 331 081 01	strut	-05	2	
(10)	997 331 081 02	strut	06-	2	
11	996 331 385 00	rubber mounting		6	
12	999 072 031 09	hexagon-head bolt M 12 X 1,5 X 30		2	
13	900 378 072 09	hexagon-head bolt M 12 X 30		2	
14	900 178 010 09	hexagon-head bolt M 12 X 130		2	

Model	Year	MG	SG	Illustration	Restrictions	Update	13:20	17.11.2005	PORSCHE	PET	PORSCHE
997	06	5	01	501-01		194					

Pos	Part Number	Name	Remarks	Qty	Model	Pos	Part Number	Name	Remarks	Qty	Model
15	900 178 010 09	hexagon-head bolt M 12 X 130		2							
16	999 084 445 09	lock nut M 12 X 1,5		2							
17	996 331 291 02	washer		6							
18	996 341 371 03	support		1	I601						
19	900 380 015 09	hexagon nut VM 6		2	I601						
20	997 331 375 02	strut		1	I601						
21	997 631 121 00	sensor		1	I601						
22	N 014 129 12	oval-head screw		2	I601						
23	999 061 103 09	stud M 12 X 1,5		2							
		- - - E N D - - -									

Model	Year	MG	SG	Illustration	Restrictions	Update	13:21	17.11.2005	PORSCHE	PET	PORSCHE
997	06	5	01	501-03		194					



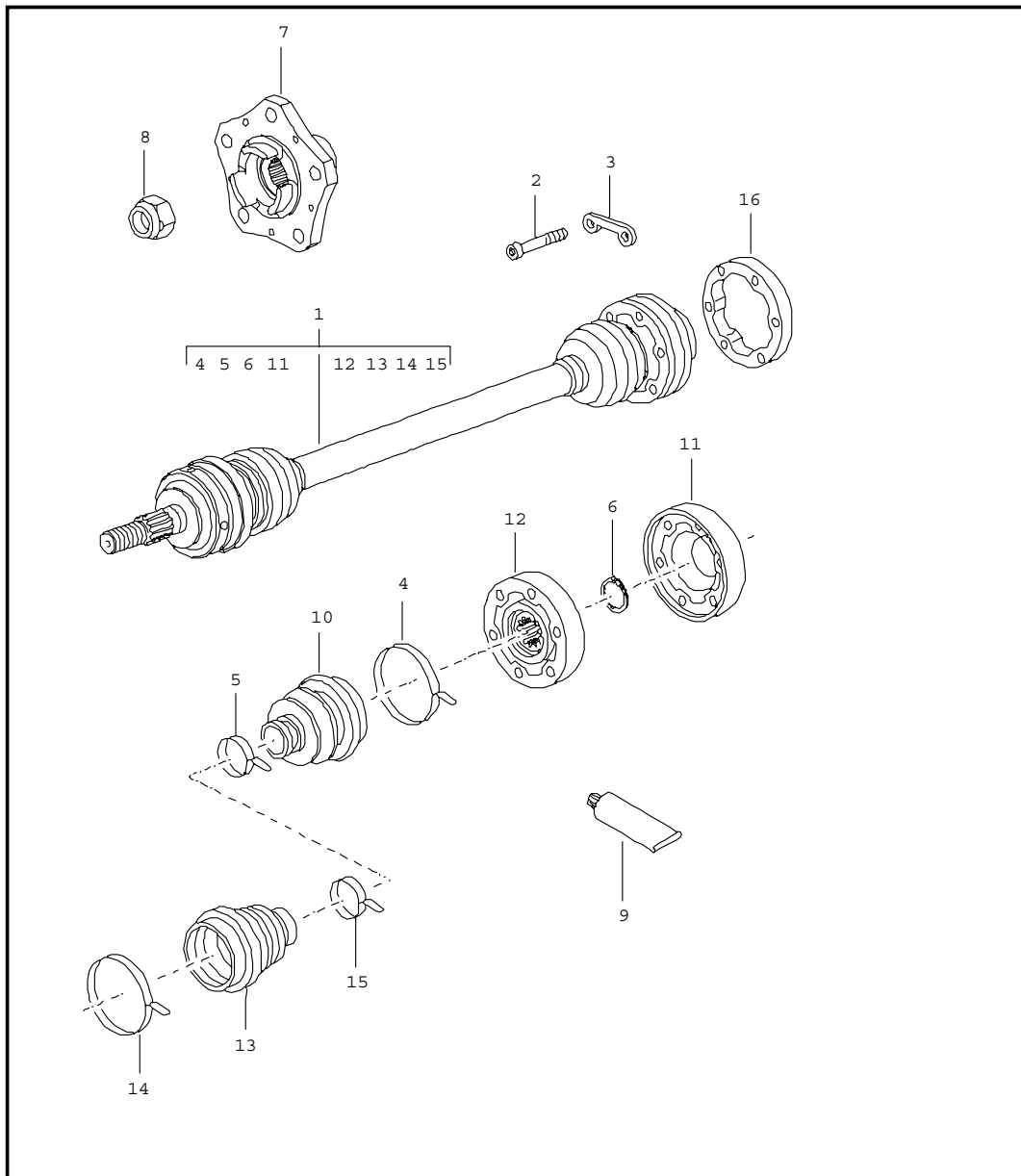
Pos	Part Number	Name	Remarks	Qty	Model
		stabiliser			
1	997 333 701 14	stabiliser		1	I029 CARRERA 2
(1)	997 333 701 14	stabiliser		1	I475 CARRERA 2
(1)	997 333 701 14	stabiliser		1	I475/CABRIO CARRERA 2-S
(1)	997 333 701 15	stabiliser		1	I030/COUPE CARRERA 2 CARRERA 2-S
(1)	997 333 701 15	stabiliser		1	I475/COUPE CARRERA 2-S
(1)	997 333 701 14	stabiliser		1	CABRIO CARRERA 4 CARRERA 4-S I249/475
(1)	997 333 701 15	stabiliser		1	COUPE CARRERA 4 CARRERA 4-S I030/480
(1)	997 333 701 16	stabiliser		1	COUPE CARRERA 4 CARRERA 4-S I475
(1)	997 333 701 15	stabiliser		1	CABRIO CARRERA 4 I480
(1)	997 333 701 16	stabiliser		1	CABRIO CARRERA 4-S I475/480
(1)	997 333 701 16	stabiliser		1	COUPE CARRERA 4 I029
2	996 333 792 24	stabiliser mounting		2	I029 CARRERA 2
(2)	996 333 792 24	stabiliser mounting		2	I475 CARRERA 2
(2)	996 333 792 24	stabiliser mounting		2	I475/CABRIO CARRERA 2-S
(2)	996 333 792 25	stabiliser mounting		2	I030/COUPE CARRERA 2 CARRERA 2-S

Model	Year	MG	SG	Illustration	Restrictions	Update	13:21	17.11.2005	PORSCHE	PET	PORSCHE
997	06	5	01	501-03		194					

Pos	Part Number	Name	Remarks	Qty	Model	Pos	Part Number	Name	Remarks	Qty	Model
(2)	996 333 792 25	stabiliser mounting		2	I475/COUPE CARRERA 2-S	6	999 084 643 09	hexagon nut M 10 see technical manual group 4 NR.429019		2	
(1)	996 333 792 24	stabiliser mounting		2	CABRIO CARRERA 4 CARRERA 4-S I249/475	(6)	999 084 123 09	hexagon nut M 10 see technical manual group 4 NR.429019		2	
(1)	996 333 792 25	stabiliser mounting		2	?730E CARRERA 4 CARRERA 4-S I030/480						
(1)	996 333 792 26	stabiliser mounting		2	COUPE CARRERA 4 CARRERA 4-S I475						
(1)	996 333 792 26	stabiliser mounting		2	CABRIO CARRERA 4 I480						
(1)	996 333 792 26	stabiliser mounting		2	CABRIO CARRERA 4-S I475/480						
(1)	996 333 792 26	stabiliser mounting		2	COUPE CARRERA 4 I029						
3	996 333 777 01	clamp		2							
4	900 378 055 09	hexagon-head bolt AM 8 X 40		4							
5	997 333 069 04	stabiliser mounting see technical manual group 4 NR.429019	/L	1							
(5)	997 333 069 05	stabiliser mounting see technical manual group 4 NR.429019	/L	1							
(5)	997 333 070 04	stabiliser mounting see technical manual group 4 NR.429019	/R	1							
(5)	997 333 070 05	stabiliser mounting see technical manual group 4 NR.429019	/R	1							

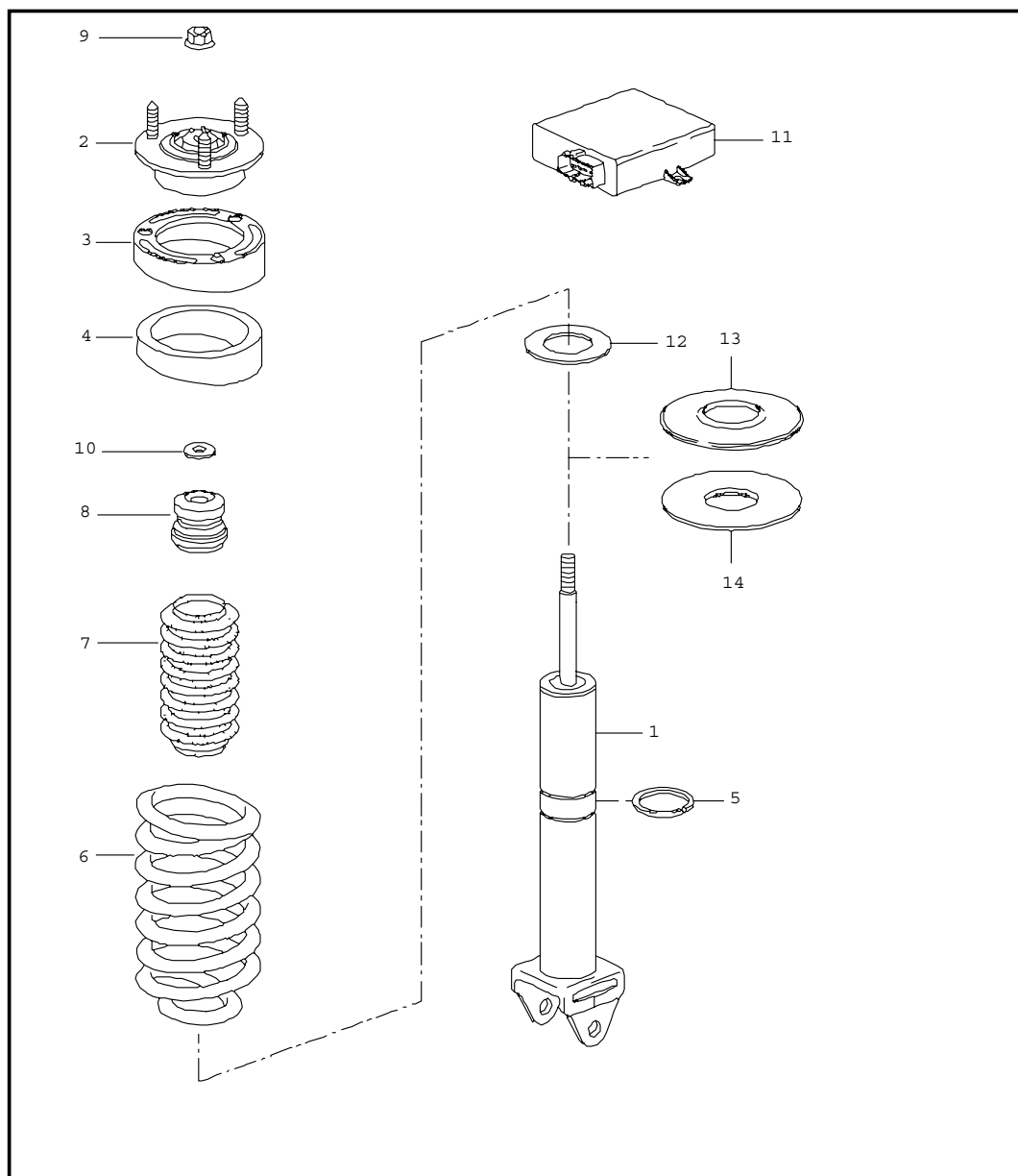
- - - E N D - - -

Model	Year	MG	SG	Illustration	Restrictions	Update	13:21	17.11.2005	PORSCHE	PET	PORSCHE
997	06	5	01	501-05		194					



Pos	Part Number	Name	Remarks	Qty	Model
		drive shaft			
		wheel hub			
1	997 332 024 02	drive shaft		2	I480
(1)	997 332 024 03	drive shaft		2	I249
2	900 067 229 09	pan-head screw M 10 X 48,4		12	I480
(2)	999 510 043 09	pan-head screw M 10 X 61		12	I249
(3)	996 332 191 00	plate		6	
4	911 332 257 00	clip 73 MM		2	
5	996 332 257 00	clip 34 MM		2	
6	900 041 014 00	circlip		2	
7	997 331 605 00	wheel hub		2	
8	999 084 641 02	lock nut M 22 X 1,5		2	
9	000 043 110 01	grease 1 tube 100 g		X	
(9)	000 043 205 36	sealing compound 1 tube 100 g		X	
10	996 332 293 00	dust bellows		2	
11	928 332 267 01	cover		2	
12	996 332 030 00	joint		2	
13	996 332 293 00	dust bellows		2	
14	911 332 257 00	clip		2	
15	996 332 257 00	clip		2	
(16)	996 332 229 01	spacer ring		2	
		- - - E N D - - -			

Model	Year	MG	SG	Illustration	Restrictions	Update	13:21	17.11.2005	PORSCHE	PET	PORSCHE
997	06	5	02	502-00		194					

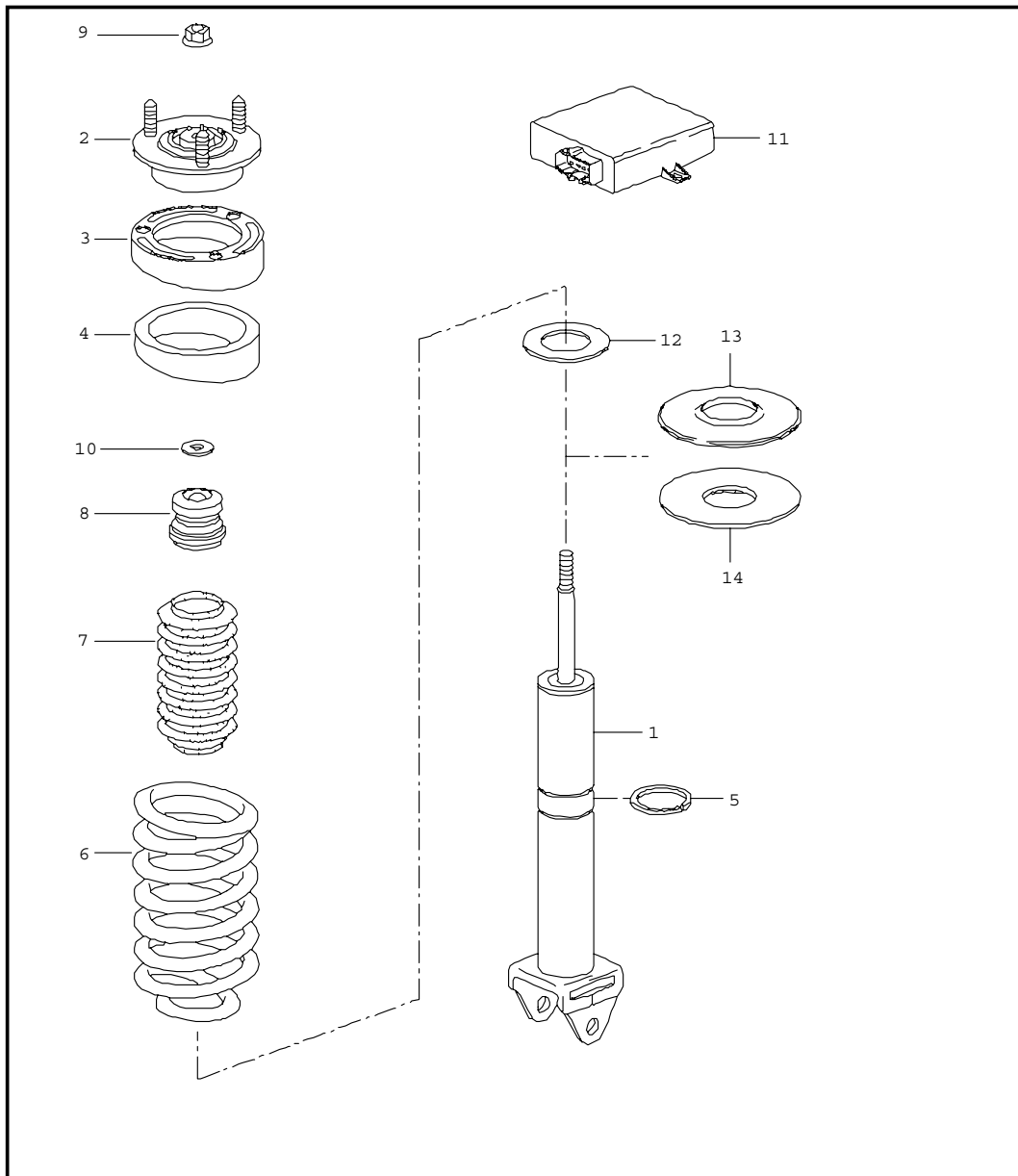


Pos	Part Number	Name	Remarks	Qty	Model
		shock absorber coil spring			CARRERA 2 CARRERA 2-S
(1)	997 333 051 11	shock absorber		2	I029 COUPE/CABRIO CARRERA 2
(1)	997 333 053 20	shock absorber		2	I475 COUPE/CABRIO CARRERA 2 CARRERA 2-S
		mount shock absorber			
-	900 378 138 09	hexagon-head bolt M 12 X 1,5 X 70		2	
-	999 084 445 09	lock nut M 12 X 1,5		2	
2	997 333 061 00	supporting mount		2	I029 COUPE
(2)	997 333 061 01	supporting mount		2	I475 COUPE CARRERA 2
(2)	997 333 061 03	supporting mount		2	I029 CABRIO CARRERA 2
(2)	997 333 061 01	supporting mount		2	I475 COUPE CARRERA 2-S
(2)	997 333 061 02	supporting mount		2	I029 CABRIO CARRERA 2
(2)	997 333 061 02	supporting mount		2	I475 CABRIO CARRERA 2 CARRERA 2-S
-	900 380 008 09	hexagon nut M 10		6	
3	996 333 511 02	compensating plate 0,5 MM		X	
(3)	996 333 511 03	compensating plate 4,0 MM		X	
4	993 333 504 00	base		2	
5	999 152 163 00	snap ring SW 52		2	

Model	Year	MG	SG	Illustration	Restrictions	Update	13:21	17.11.2005	PORSCHE	PET	PORSCHE
997	06	5	02	502-00		194					

Pos	Part Number	Name	Remarks	Qty	Model	Pos	Part Number	Name	Remarks	Qty	Model
					CARRERA 2	-	999 084 445 09	lock nut M 12 X 1,5		2	
(6)	997 333 531 37	coil spring 1 set		1	I029 COUPE	11	997 618 105 04	control unit shock absorber	05	1	CARRERA 2 CARRERA 2-S I475
	504	marked violet white			CARRERA 2	(11)	997 618 105 05	control unit shock absorber	06-	1	CARRERA 2 CARRERA 2-S I475
(6)	997 333 531 39	coil spring 1 set		1	I029/I480 CABRIO	-	997 618 205 00	support for control unit		1	CARRERA 2 CARRERA 2-S I475
	504	marked violet yellow			CARRERA 2	-	997 606 111 01	acceleration sensor body		1	I475
(6)	997 333 531 43	coil spring 1 set		1	I475 COUPE	12	997 333 513 00	concave washer		2	I029 I475
	504	marked red yellow			CARRERA 2 CARRERA 2-S	13	997 333 523 00	concave washer		2	I030
(6)	997 333 531 45	coil spring 1 set		1	I475 CABRIO	14	997 333 513 01	concave washer		2	I030
	504	marked blue yellow			CARRERA 2			- - - E N D - - -			
					I475 CABRIO CARRERA 2-S						
(6)	997 333 531 48	coil spring 1 set		1	I029/I249 CABRIO						
	504	marked violet yellow			CARRERA 2						
7	993 333 107 01	bellows		2							
8	996 333 105 02	additional spring		2	I029						
(8)	997 333 105 01	additional spring		2	I475						
9	999 084 050 02	hexagon nut M 12 X 1		2							
10	999 025 271 02	washer  mount shock absorber		2							
-	900 378 138 09	hexagon-head bolt M 12 X 1,5 X 70		2							

Model	Year	MG	SG	Illustration	Restrictions	Update	13:21	17.11.2005	PORSCHE	PET	PORSCHE
997	06	5	02	502-01		194					

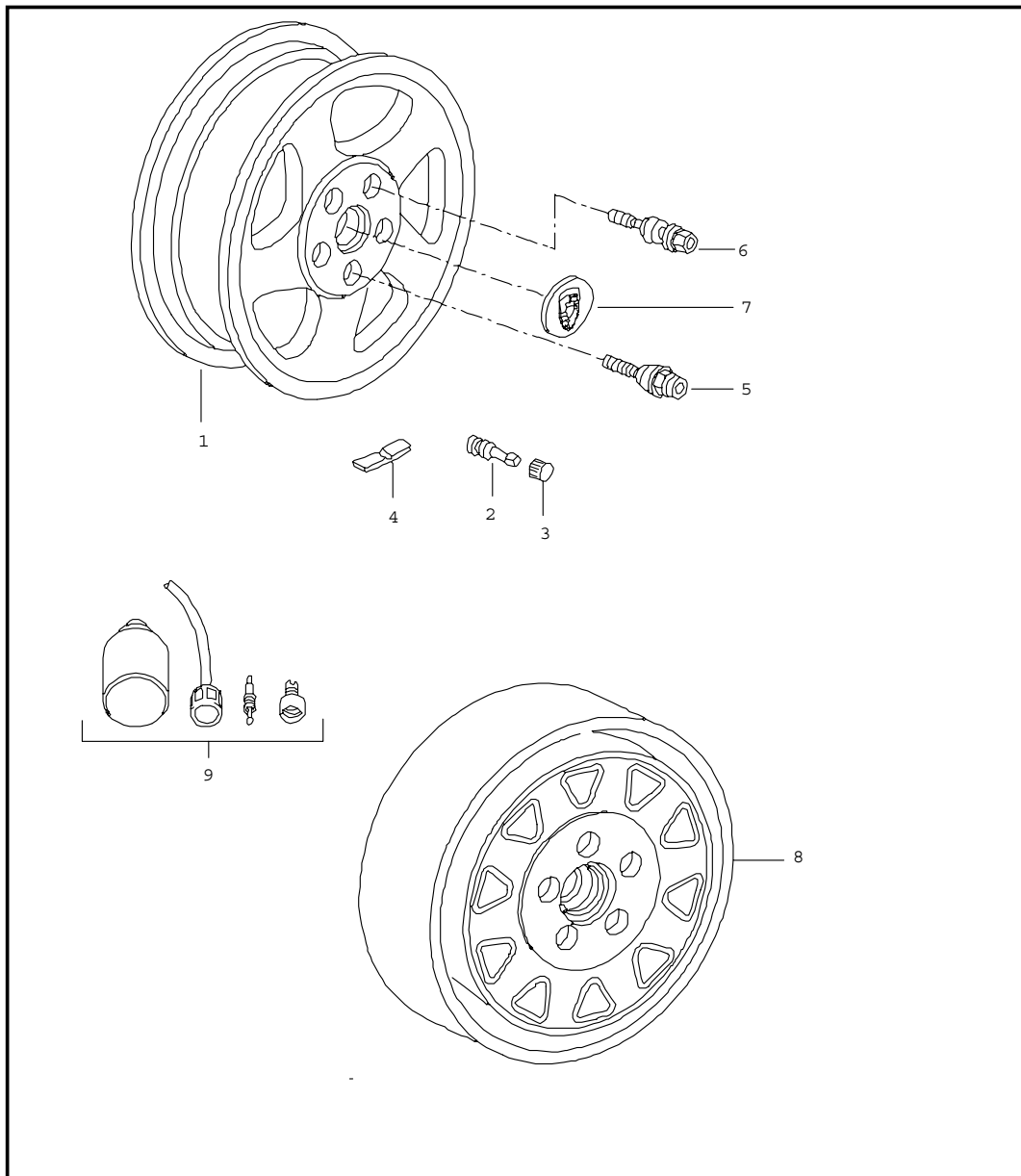


Pos	Part Number	Name	Remarks	Qty	Model
		shock absorber coil spring			CARRERA 4 CARRERA 4-S
(1)	997 333 051 11	shock absorber		2	I029 CARRERA 4
(1)	997 333 053 20	shock absorber		2	I475 CARRERA 4 CARRERA 4-S
-	900 378 138 09	mount shock absorber hexagon-head bolt M 12 X 1,5 X 70		2	
-	999 084 445 09	lock nut M 12 X 1,5		2	
(2)	997 333 061 00	supporting mount		2	CARRERA 4 COUPE I029
(2)	997 333 061 01	supporting mount		2	CARRERA 4 CARRERA 4-S COUPE I475
(2)	997 333 061 02	supporting mount		2	CARRERA 4 CARRERA 4-S CABRIO I475
(2)	997 333 061 03	supporting mount		2	CARRERA 4 CABRIO I029
-	900 380 008 09	hexagon nut M 10		6	
3	996 333 511 02	compensating plate 0,5 MM		X	
(3)	996 333 511 03	compensating plate 4,0 MM		X	
4	993 333 504 00	base		2	
5	999 152 163 00	snap ring SW 52		2	
(6)	997 333 531 37	coil spring 1 set		1	I029 COUPE

Model	Year	MG	SG	Illustration	Restrictions	Update	13:21	17.11.2005	PORSCHE	PET	PORSCHE
997	06	5	02	502-01		194					

Pos	Part Number	Name	Remarks	Qty	Model	Pos	Part Number	Name	Remarks	Qty	Model
	504	marked violet white			CARRERA 4	(11)	997 618 115 03	control unit shock absorber		1	CARRERA 4 CARRERA 4-S I475
					I029/I480 CABRIO CARRERA 4	-	997 618 205 00	support for control unit		1	CARRERA 4 CARRERA 5-S I475
(6)	997 333 531 39	coil spring 1 set		1	I029/249 CABRIO CARRERA 4	-	997 606 111 01	acceleration sensor body		1	I475
	504	marked violet yellow				12	997 333 513 00	concave washer		2	I029 I475
(6)	997 333 531 48	coil spring 1 set		1	I029/I249 CABRIO CARRERA 4	13	997 333 523 00	concave washer		2	I030
	504	marked violet yellow				14	997 333 513 01	concave washer		2	I030
(6)	997 333 531 43	coil spring 1 set		1	I475 COUPE			- - - E N D - - -			
	504	marked red yellow			CARRERA 4  I475 COUPE CARRERA 4-S						
(6)	997 333 531 45	coil spring 1 set		1	I475 CABRIO						
	504	marked blue yellow			CARRERA 4  I475 CABRIO CARRERA 4-S						
7	993 333 107 01	bellows		2							
8	996 333 105 02	additional spring		2	I029						
(8)	997 333 105 01	additional spring		2	I475						
9	999 084 050 02	hexagon nut M 12 X 1		2							
10	999 025 271 02	washer mount shock absorber		2							
-	900 378 138 09	hexagon-head bolt M 12 X 1,5 X 70		2							
-	999 084 445 09	lock nut M 12 X 1,5		2							

Model	Year	MG	SG	Illustration	Restrictions	Update	13:21	17.11.2005	PORSCHE	PET	PORSCHE
997	06	6	01	601-00		194					



Pos	Part Number	Name	Remarks	Qty	Model
		wheels			
1	997 362 136 00	disc wheel 8 J X 18 ET 57	/V	2	I402
(1)	997 362 156 00	disc wheel -BBS- 8 J X 19 ET 57	/V	2	I403
(1)	997 362 156 06	disc wheel -RONAL- 8 J X 19 ET 57	/V	2	I403
(1)	997 362 156 01	disc wheel 8 J X 19 ET 57	/V 06-	2	I403 CARRERA 4 CARRERA 4-S
(1)	997 362 156 03	disc wheel 8 J X 19 ET 57	/V	2	I405
(1)	997 362 156 04	disc wheel 8 J X 19 ET 57	/V	2	I407
(1)	997 362 156 55	disc wheel 8,5 x 19 et 55	/V	2	IXXR
(1)	997 362 140 01	disc wheel 10 J X 18 ET 58	/H	2	I402
(1)	997 362 142 00	disc wheel 11 J X 18 ET 51 -BBS-	/H	2	I402
(1)	997 362 162 01	disc wheel -BBS- 11 J X 19 ET 67	/H	2	I403
(1)	997 362 162 08	disc wheel -RONAL- 11 J X 19 ET 67	/H	2	I403
(1)	997 362 162 00	disc wheel 11 J X 19 ET 51	/H 06-	2	I403 CARRERA 4 CARRERA 4-S
(1)	997 362 162 04	disc wheel 11 J X 19 ET 67	/H	2	I405

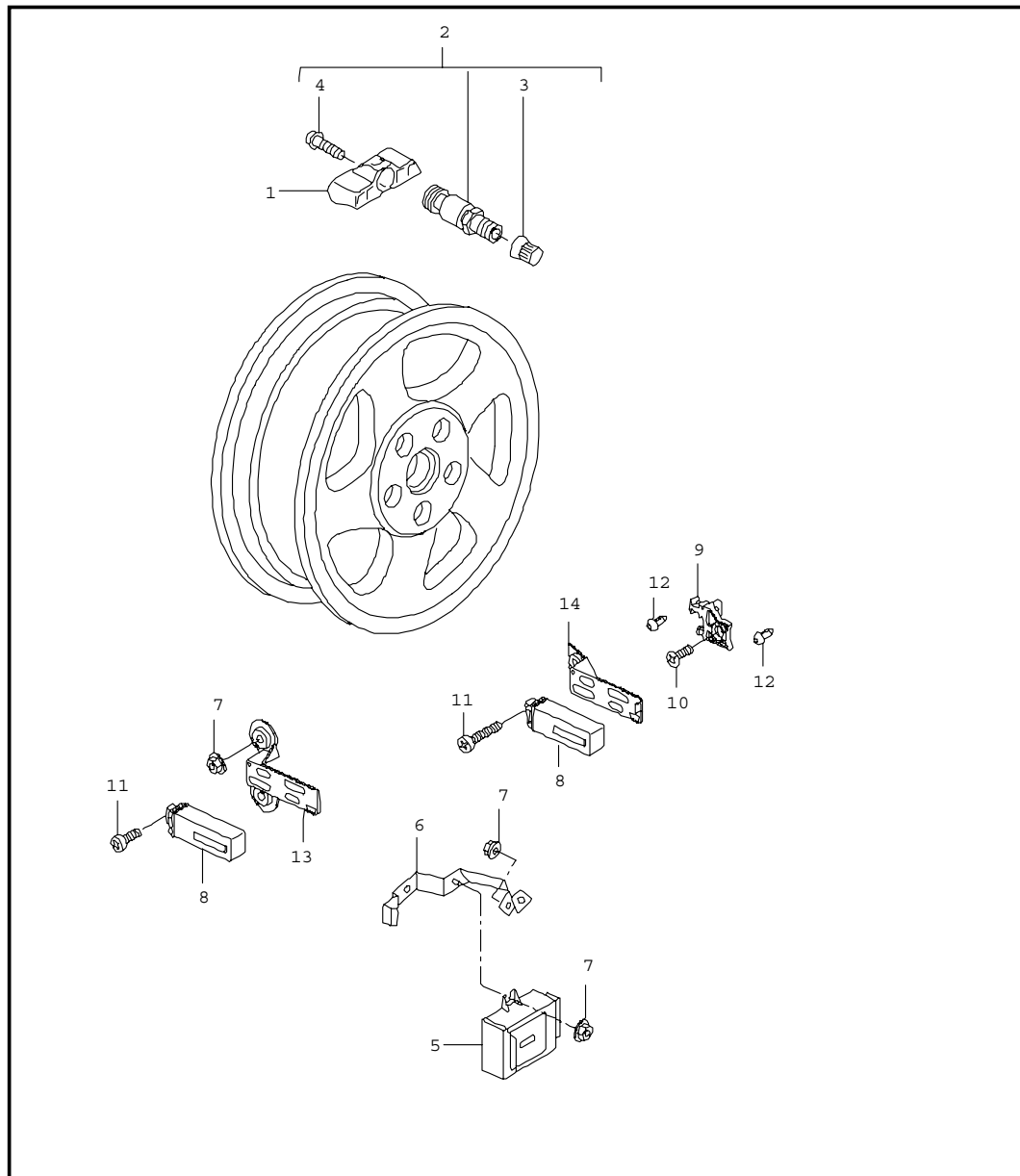
Model	Year	MG	SG	Illustration	Restrictions	Update	13:21	17.11.2005	PORSCHE	PET	PORSCHE
997	06	6	01	601-00		194					

Pos	Part Number	Name	Remarks	Qty	Model	Pos	Part Number	Name	Remarks	Qty	Model
(1)	997 362 162 03	disc wheel 11 J X 19 ET 51	/H 06-	2	I405 CARRERA 4 CARRERA 4-S	(4)	1K0 601 184 C	balance stick-on weight 30 G.	05	X	
(1)	997 362 162 07	disc wheel 11 J X 19 ET 67	/H	2	I407	(4)	997 361 430 00	balance stick-on weight 30 G.	06-	X	
(1)	997 362 162 06	disc wheel 11 J X 19 ET 51 -BBS-	/H	2	I407	(4)	1K0 601 185 C	balance stick-on weight 35 G.	05	X	
(1)	997 362 162 55	disc wheel 11,5 x 19 et 67	/H	2	IXXR	(4)	997 361 435 00	balance stick-on weight 35 G.	06-	X	
2	900 265 001 50	rubber valve rubber		4		(4)	1K0 601 186 C	balance stick-on weight 40 G.	05	X	
(2)	... ..	valve tyre pressure monit. sys. see group 6/01/05		4	I482/I483	(4)	997 361 440 00	balance stick-on weight 40 G.	06-	X	
3	955 361 163 00	cap for rubber valve		4		(4)	1K0 601 187 C	balance stick-on weight 45 G.	05	X	
4	1K0 601 178 C	balance stick-on weight 5 G.	05	X		(4)	997 361 445 00	balance stick-on weight 45 G.	06-	X	
(4)	997 361 405 00	balance stick-on weight 5.G.	06-	X		(4)	1K0 601 188 C	balance stick-on weight 50 G.	05	X	
(4)	1K0 601 179 C	balance stick-on weight 10 G.	05	X		(4)	997 361 450 00	balance stick-on weight 50 G.	06-	X	
(4)	997 361 410 00	balance stick-on weight 10 G.	06-	X		(4)	1K0 601 189 C	balance stick-on weight 55 G.	05	X	
(4)	1K0 601 181 C	balance stick-on weight 15 G.	05	X		(4)	997 361 455 00	balance stick-on weight 55 G.	06-	X	
(4)	997 361 415 00	balance stick-on weight 15 G.	06-	X		(4)	1K0 601 190 C	balance stick-on weight 60 G.	05	X	
(4)	1K0 601 182 C	balance stick-on weight 20 G.	05	X		(4)	1K0 601 190 C	balance stick-on weight 60 G.	05	X	
(4)	997 361 420 00	balance stick-on weight 20 G.	06-	X		(4)	997 361 460 00	balance stick-on weight 60 G.	06-	X	
(4)	1K0 601 183 C	balance stick-on weight 25 G.	05	X		5	996 361 057 02	set anti-theft protection 1 set		1	
(4)	997 361 425 00	balance stick-on weight 25 G.	06-	X		(5)	996 361 980 00	set anti-theft protection 1 set		1	IXRP CARRERA 2 CARRERA 2-S
						6	996 361 203 02	wheel bolt		16	
						-	999 182 003 36	wheel nut		20	IXRN CARRERA 4 CARRERA 4-S

Model	Year	MG	SG	Illustration	Restrictions	Update					
997	06	6	01	601-00		194	13:21	17.11.2005	PORSCHE	PET	PORSCHE

Pos	Part Number	Name	Remarks	Qty	Model	Pos	Part Number	Name	Remarks	Qty	Model
7	955 361 303 00	hub cap emblem black		4							
	9A1	silver									
(7)	955 361 303 05	hub cap emblem coloured		4	I446						
	9A1	silver									
(7)	997 361 303 01	hub cap emblem coloured silver		4	IXXR/I446						
8	996 362 020 03	emergency wheel		1	I447						
-	996 361 521 00	boot for emergency wheel		1	I447						
-	999 914 001 40	plastic gloves		X	I447						
9	955 722 631 00	compressed air bottle		1							
(9) A	997 652 053 00	compressor for emergency wheel		1							
(9)	997 652 053 01	compressor for emergency wheel		1							
		- - - E N D - - -									

Model	Year	MG	SG	Illustration	Restrictions	Update	13:22	17.11.2005	PORSCHE	PET	PORSCHE
997	06	6	01	601-05		194					

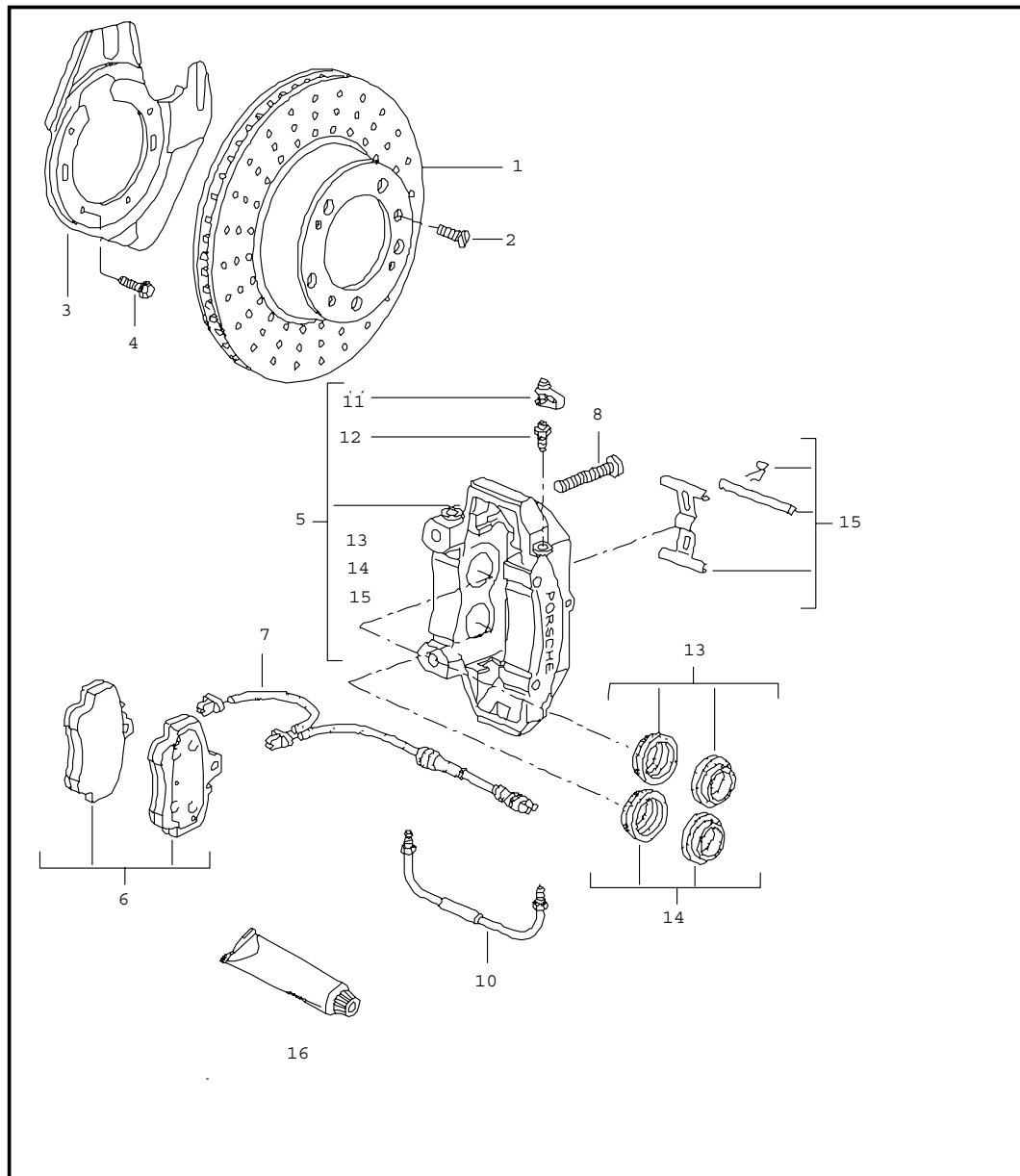


Pos	Part Number	Name	Remarks	Qty	Model
		tyre pressure monit. sys.			I482/I483
1	997 606 021 00	sensor tyre pressure gauge use also: 955.361.053.00		4	I482
2	955 361 053 00	valve aluminium		4	
3	N 908 729 01	cap		4	
4	4D0 601 365	fastening screw		4	
5	997 618 103 05	control unit F >>995S7 60077		1	CARRERA 2 CARRERA 2-S
(5)	997 618 103 06	control unit F 995S7 60078>>		1	CARRERA 2 CARRERA 2-S
(5)	997 618 103 06	control unit		1	CARRERA 4 CARRERA 4-S
6	997 618 203 00	support control unit		1	
7	999 076 081 40	plastic nut T5 16 X 11, 2		7	
8	997 606 101 00	antenna 433 MHZ use also: rear axle clip 997.606.225.00		4	I482
9	997 606 225 00	clip for antenna rear axle		2	
10	999 919 121 09	oval-head screw M 5 X 16		2	
11	999 919 023 09	oval-head screw M 5 X 35		4	
12	N 105 168 01	expander nut ST 4,8		4	
13	997 606 141 00	support antenna front		2	

Model	Year	MG	SG	Illustration	Restrictions	Update					
997	06	6	01	601-05		194	13:22	17.11.2005	PORSCHE	PET	PORSCHE

Pos	Part Number	Name	Remarks	Qty	Model	Pos	Part Number	Name	Remarks	Qty	Model
14	997 606 131 00	support antenna rear axle		2							
-	997 652 053 01	compressor guide emergency wheel		1							
		- - - E N D - - -									

Model	Year	MG	SG	Illustration	Restrictions	Update	13:22	17.11.2005	PORSCHE	PET	PORSCHE
997	06	6	02	602-00		194					

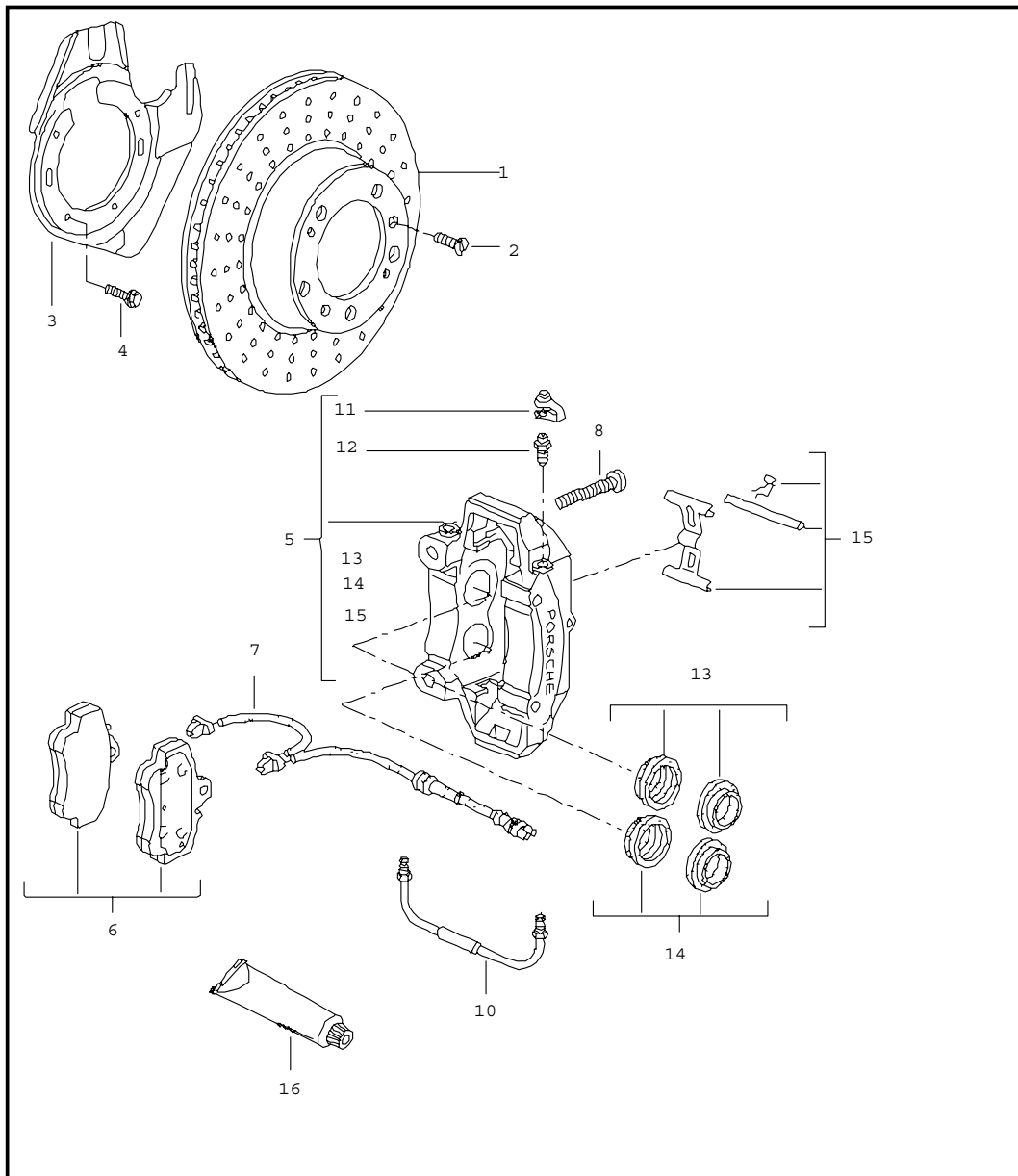


Pos	Part Number	Name	Remarks	Qty	Model
		disc brake front axle			CARRERA 2 CARRERA 2-S
1	996 351 405 01	brake disc	/L	1	CARRERA 2
(1)	996 351 409 02	brake disc	/L	1	CARRERA 2-S
(1)	996 351 031 03	brake disc	/L	1	I450
(1)	996 351 406 01	brake disc	/R	1	CARRERA 2
(1)	996 351 410 02	brake disc	/R	1	CARRERA 2-S
(1)	996 351 032 03	brake disc	/R	1	I450
2	900 269 047 09	countersunk-head screw M 6 X 12		4	
3	997 351 801 02	cover plate	/L	1	CARRERA 2 CARRERA 2-S
(3)	997 351 802 02	cover plate	/R	1	CARRERA 2 CARRERA 2-S
4	999 217 116 09	hexagon-head bolt M 6 X 16		X	
5	997 351 421 00	fixed calliper without pad	/L	1	CARRERA 2
(5)	996 351 429 10	fixed calliper without pad	/L	1	CARRERA 2-S
(5)	996 351 431 30	fixed calliper without pad	/L	1	I450
(5)	997 351 422 00	fixed calliper without pad	/R	1	CARRERA 2
(5)	996 351 430 10	fixed calliper without pad	/R	1	CARRERA 2-S
(5)	996 351 432 30	fixed calliper without pad	/R	1	I450
(6)	997 351 939 03	set of brake pads use also: mounting parts use also: 1 x 997.612.756.00 1 x 997.612.759.00		1	CARRERA 2
(6)	996 351 949 12	set of brake pads use also: mounting parts use also: 1 x 997.612.757.00 1 x 997.612.678.00		1	CARRERA 2-S

Model	Year	MG	SG	Illustration	Restrictions	Update	13:22	17.11.2005	PORSCHE	PET	PORSCHE
997	06	6	02	602-00		194					

Pos	Part Number	Name	Remarks	Qty	Model	Pos	Part Number	Name	Remarks	Qty	Model
(6)	996 351 947 01	set of brake pads use also: mounting parts use also: 1 x 997.612.675.01 1 x 997.612.679.00		1	I450	(13)	928 351 917 00	repair kit protection caps 44 mm repair kit		X	CARRERA 2-S
-	996 351 088 01	damping plate		4	CARRERA 2	(14)	951 351 917 00	repair kit protection caps 36 mm		X	CARRERA 2-S
-	996 351 089 00	damping plate		4	CARRERA 2-S	-	996 351 915 01	repair kit protection caps 38 MM		X	I450
-	996 352 086 01	damping plate		12	I450	-	996 351 915 00	repair kit protection caps 32 MM		X	I450
(7)	997 612 756 00	warning contact	/L	1	CARRERA 2	-	951 351 917 00	repair kit protection caps 28 MM		X	I450
(7)	997 612 759 00	warning contact	/R	1	CARRERA 2	(15)	955 352 960 00	repair kit mounting parts bolt expanding spring securing clip		X	CARRERA 2
(7)	997 612 757 00	warning contact	/L	1	CARRERA 2-S	(15)	996 351 959 11	repair kit mounting parts bolt expanding spring securing clip		1	CARRERA 2-S
(7)	997 612 678 00	warning contact	/R	1	CARRERA 2-S	(15)	996 351 959 30	repair kit mounting parts bolt expanding spring securing clip		1	I450
(7)	997 612 675 01	warning contact	/L	1	I450	16	000 043 117 00	brake cylinder paste 50 G		X	
(7)	997 612 679 00	warning contact	/R	1	I450	16	000 043 020 00	optimoly 100 G		X	
-	999 507 464 40	support		2				- - - E N D - - -			
-	944 612 627 00	holder for warning contact		3							
8	999 067 041 09	pan-head screw M 12 X 1,5 X 72		4	CARRERA 2						
(8)	999 067 050 09	pan-head screw M 12 X 1,5 X 77		4	CARRERA 2-S						
(8)	999 067 047 09	pan-head screw M 12 X 1,5 X 85		4	I450						
(10)	996 351 961 11	connecting line	/L	1							
(10)	996 351 962 11	connecting line	/R	1							
(10)	996 351 961 30	connecting line		2	I450						
11	930 351 927 00	dust boot		2							
12	930 351 919 00	ventilation valve		2							
13	951 351 917 01	repair kit protection caps 40 MM		X	CARRERA 2						
14	951 351 917 00	repair kit protection caps 36 MM		X	CARRERA 2						

Model	Year	MG	SG	Illustration	Restrictions	Update	13:22	17.11.2005	PORSCHE	PET	PORSCHE
997	06	6	02	602-01		194					



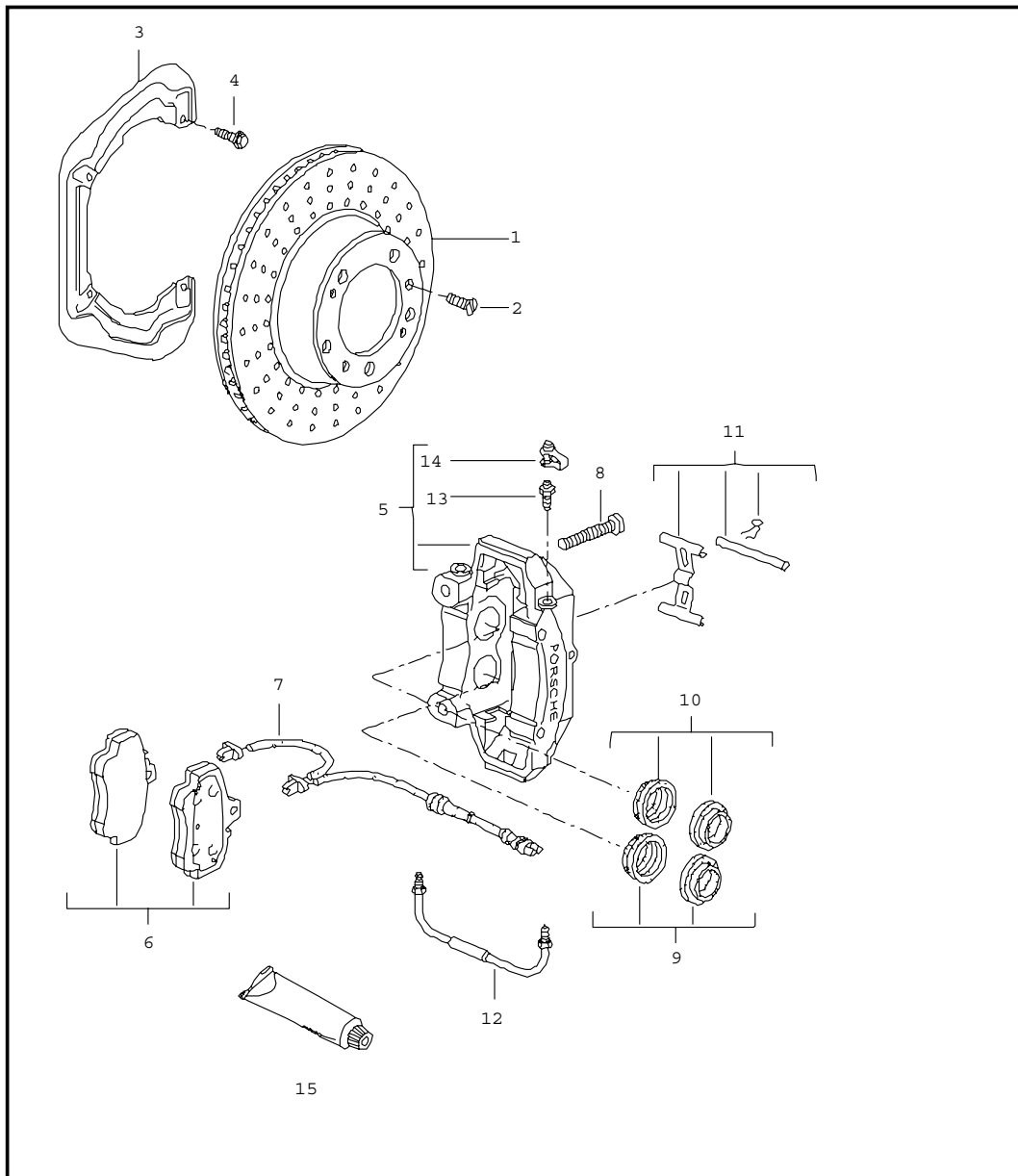
Pos	Part Number	Name	Remarks	Qty	Model
		disc brake front axle			CARRERA 4 CARRERA 4-S
1	996 351 405 01	brake disc	/L	1	CARRERA 4
(1)	996 351 409 02	brake disc	/L	1	CARRERA 4-S
(1)	996 351 031 04	brake disc	/L	1	I450
(1)	996 351 406 01	brake disc	/R	1	CARRERA 4
(1)	996 351 410 02	brake disc	/R	1	CARRERA 4-S
(1)	996 351 032 04	brake disc	/R	1	I450
2	900 269 047 09	countersunk-head screw M 6 X 12		4	
(3)	997 351 805 00	protective plate	/L	1	CARRERA 4 CARRERA 4-S
(3)	997 351 806 00	protective plate	/R	1	CARRERA 4 CARRERA 4-S
4	999 217 116 09	hexagon-head bolt M 6 X 16		X	
5	997 351 421 00	fixed calliper without pad	/L	1	CARRERA 4
(5)	996 351 429 10	fixed calliper without pad	/L	1	CARRERA 4-S
(5)	996 351 431 30	fixed calliper without pad	/L	1	I450
(5)	997 351 422 00	fixed calliper without pad	/R	1	CARRERA 4
(5)	996 351 430 10	fixed calliper without pad	/R	1	CARRERA 4-S
(5)	996 351 432 30	fixed calliper without pad	/R	1	I450
(6)	997 351 939 04	set of brake pads use also: mounting parts		1	CARRERA 4
(6)	996 351 949 12	set of brake pads use also: mounting parts		1	CARRERA 4-S
(6)	996 351 947 01	set of brake pads use also: mounting parts		1	I450
-	996 351 088 01	damping plate		4	CARRERA 4

Model	Year	MG	SG	Illustration	Restrictions	Update	13:22	17.11.2005	PORSCHE	PET	PORSCHE
997	06	6	02	602-01		194					

Pos	Part Number	Name	Remarks	Qty	Model	Pos	Part Number	Name	Remarks	Qty	Model
-	996 351 089 00	damping plate		4	CARRERA 4-S	-	951 351 917 00	repair kit protection caps 28 MM		X	I450
-	996 352 086 01	damping plate		12	I450						
7	997 612 677 00	warning contact		2	CARRERA 4	(15)	955 352 960 00	repair kit mounting parts bolt expanding spring securing clip		X	CARRERA 4
(7)	997 612 680 00	warning contact		2	CARRERA 4-S						
(7)	997 612 677 00	warning contact		2	I450						
-	999 507 464 40	support		2		(15)	996 351 959 11	repair kit mounting parts bolt expanding spring securing clip		1	CARRERA 4-S
-	944 612 627 00	holder for warning contact		3							
8	999 067 041 09	pan-head screw M 12 X 1,5 X 72		4	CARRERA 4	(15)	996 351 959 30	repair kit mounting parts bolt expanding spring securing clip		1	I450
(8)	999 067 050 09	pan-head screw M 12 X 1,5 X 77		4	CARRERA 4-S						
(8)	999 067 047 09	pan-head screw M 12 X 1,5 X 85		4	I450	16	000 043 117 00	brake cylinder paste 50 G		X	
(10)	996 351 961 11	connecting line	/L	1		16	000 043 020 00	optimoly 100 G		X	
(10)	996 351 962 11	connecting line	/R	1							
(10)	996 351 961 30	connecting line		2	I450						
11	930 351 927 00	dust boot		2							
12	930 351 919 00	ventilation valve		2							
13	951 351 917 01	repair kit protection caps 40 MM		X	CARRERA 4						
14	951 351 917 00	repair kit protection caps 36 MM		X	CARRERA 4						
(13)	928 351 917 00	repair kit protection caps 44 mm		X	CARRERA 4-S						
(14)	951 351 917 00	repair kit protection caps 36 mm		X	CARRERA 4-S						
-	996 351 915 01	repair kit protection caps 38 MM		X	I450						
-	996 351 915 00	repair kit protection caps 32 MM		X	I450						

- - - E N D - - -

Model	Year	MG	SG	Illustration	Restrictions	Update	13:22	17.11.2005	PORSCHE	PET	PORSCHE
997	06	6	03	603-00		194					

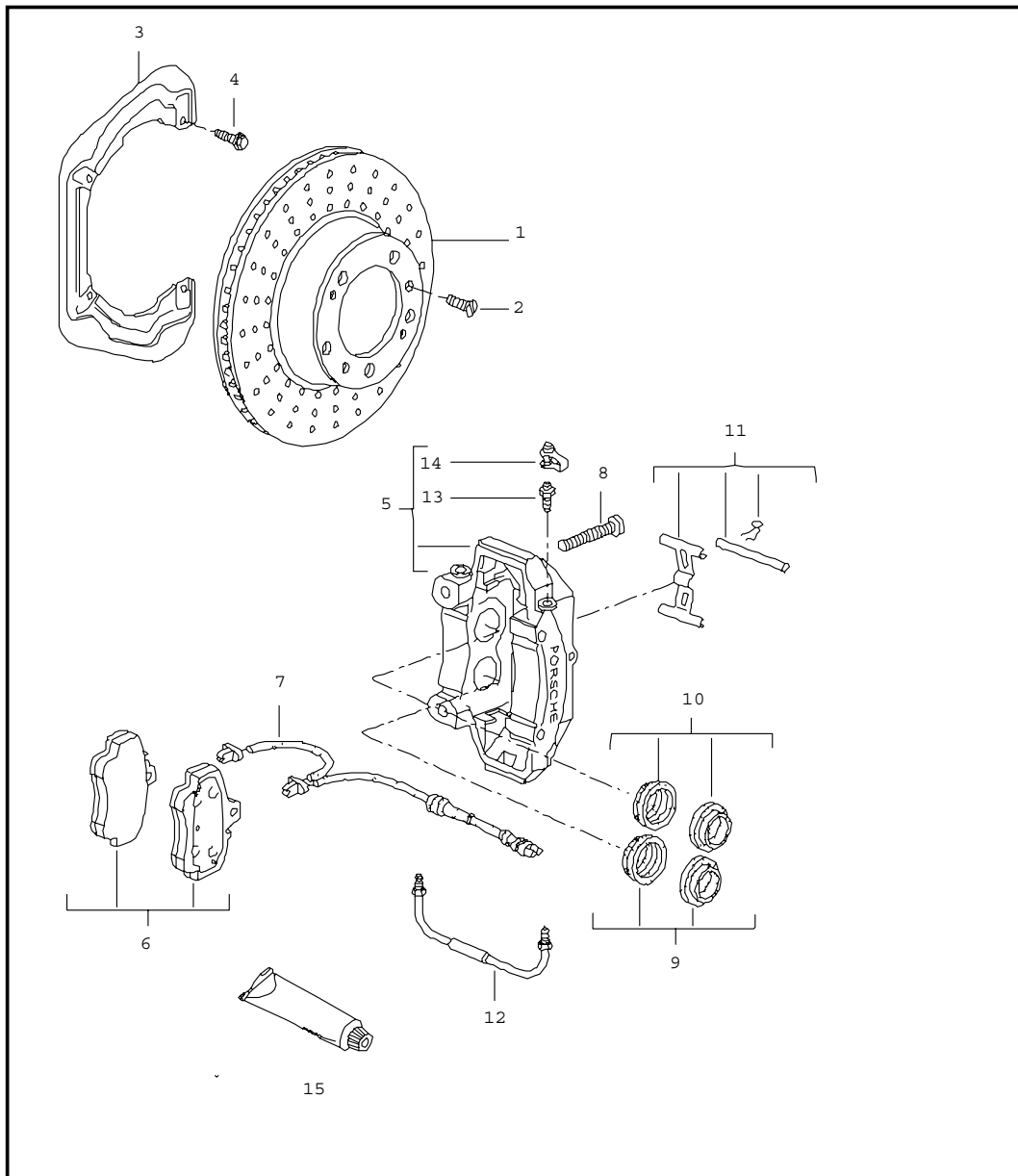


Pos	Part Number	Name	Remarks	Qty	Model
		disc brake rear axle			CARRERA 2 CARRERA 2-S
(1)	996 352 401 04	brake disc		2	CARRERA 2
(1)	996 352 405 00	brake disc	/L	1	CARRERA 2-S
(1)	996 352 031 03	brake disc	/L	1	I450
(1)	996 352 406 00	brake disc	/R	1	CARRERA 2-S
(1)	996 352 032 03	brake disc	/R	1	I450
(2)	900 269 047 09	countersunk-head screw M 6 X 12		4	
(2)	900 269 106 09	countersunk-head screw m 6 x 16		4	IXRP CARRERA 2 CARRERA 2-S
(2)	900 269 106 09	countersunk-head screw m 6 x 16		4	IXRN CARRERA 4 CARRERA 4-S
(3)	996 352 801 03	cover plate		2	
4	999 217 116 09	hexagon-head bolt M 6 X 16		X	
5	997 352 421 00	fixed calliper without pad	/L	1	CARRERA 2
(5)	996 352 425 60	fixed calliper without pad	/L	1	CARRERA 2-S
(5)	996 352 423 30	fixed calliper without pad	/L	1	I450
(5)	997 352 422 00	fixed calliper without pad	/R	1	CARRERA 2
(5)	996 352 426 60	fixed calliper without pad	/R	1	CARRERA 2-S
(5)	996 352 424 30	fixed calliper without pad	/R	1	I450
(6)	986 352 939 10	set of brake pads use also: mounting parts use also: 2 x 997.612.365.00		1	CARRERA 2
(6)	997 351 939 03	set of brake pads use also: mounting parts use also: 2 x 997.612.676.01		1	CARRERA 2-S

Model	Year	MG	SG	Illustration	Restrictions	Update	13:22	17.11.2005	PORSCHE	PET	PORSCHE
997	06	6	03	603-00		194					

Pos	Part Number	Name	Remarks	Qty	Model	Pos	Part Number	Name	Remarks	Qty	Model
(6)	996 352 947 01	set of brake pads use also: mounting parts use also: 2 x 997.612.676.01		1	I450	(11)	955 352 960 00	repair kit mounting parts bolt expanding spring securing clip		1 2 2 2	CARRERA 2-S
-	964 352 096 00	damping plate 30 MM		X	CARRERA 2	(11)	996 351 959 01	repair kit mounting parts bolt expanding spring securing clip		1 2 2 2	I450
-	996 352 086 01	damping plate 28 MM		X	CARRERA 2						
-	964 352 096 00	damping plate 30 MM		X	CARRERA 2-S	(12)	996 351 962 00	connecting line	/L	1	CARRERA 2-S
-	996 352 086 01	damping plate 28 MM		X	CARRERA 2-S	(12)	996 351 961 00	connecting line	/R	1	CARRERA 2-S
-	996 352 086 01	damping plate 28 MM		X	I450	(12)	996 352 961 30	connecting line	/L	1	I450
-	996 352 086 01	damping plate 28 MM		X	I450	(12)	996 352 961 30	connecting line	/R	1	I450
7	996 612 365 00	warning contact		2	CARRERA 2	13	930 351 919 01	ventilation valve		4	
(7)	997 612 676 01	warning contact		1	CARRERA 2-S	14	930 351 927 00	dust boot		4	
(7)	997 612 676 01	warning contact		2	I450	15	000 043 117 00	brake cylinder paste 50 G		X	
(8)	999 067 041 09	pan-head screw M 12 X 1,5 X 72		4	CARRERA 2	(15)	000 043 020 00	optimoly 100 G		X	
(8)	999 067 050 09	pan-head screw m 12 x 1,5 x 77		4	CARRERA 2-S				- - - E N D - - -		
(8)	999 067 047 09	pan-head screw m 12 x 1,5 x 85		4	I450						
9	951 352 917 01	repair kit protection caps 30 MM		2 2	CARRERA 2 CARRERA 2-S						
10	951 352 917 00	repair kit protection caps 28 MM		2 2	CARRERA 2 CARRERA 2-S						
(10)	951 352 917 00	repair kit protection caps 28 MM		X	I450						
(11)	996 352 959 01	repair kit mounting parts bolt expanding spring securing clip		1 2 2 2	CARRERA 2						

Model	Year	MG	SG	Illustration	Restrictions	Update	13:22	17.11.2005	PORSCHE	PET	PORSCHE
997	06	6	03	603-01		194					

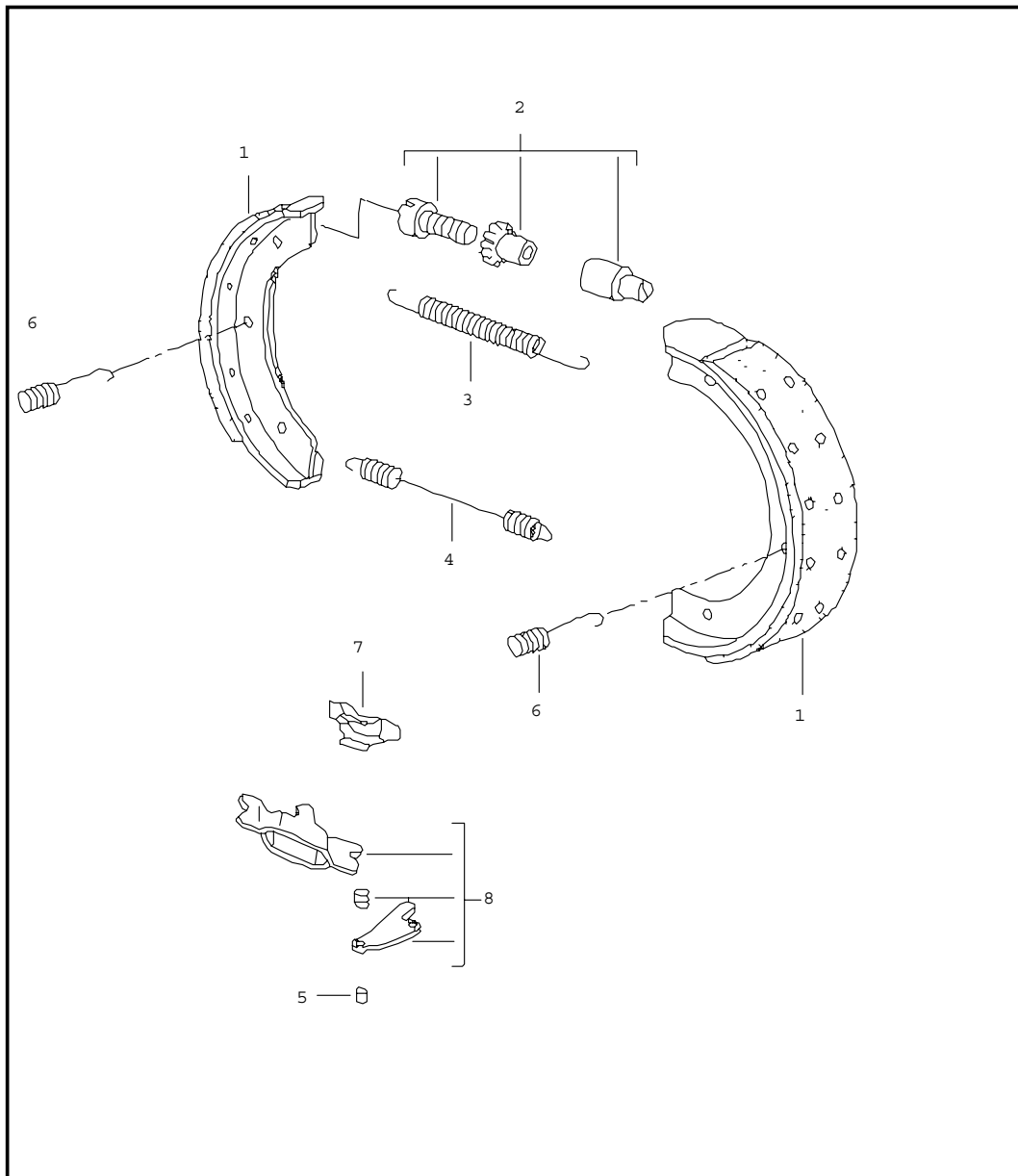


Pos	Part Number	Name	Remarks	Qty	Model
		disc brake rear axle			CARRERA 4 CARRERA 4-S
(1)	996 352 401 04	brake disc		2	CARRERA 4
(1)	996 352 405 00	brake disc	/L	1	CARRERA 4-S
(1)	996 352 031 04	brake disc	/L	1	I450
(1)	996 352 406 00	brake disc	/R	1	CARRERA 4-S
(1)	996 352 032 04	brake disc	/R	1	I450
(2)	900 269 047 09	countersunk-head screw M 6 X 12		4	
(3)	996 352 801 03	cover plate		2	
4	999 217 116 09	hexagon-head bolt M 6 X 16		X	
5	997 352 421 00	fixed calliper without pad	/L	1	CARRERA 4
(5)	996 352 425 60	fixed calliper without pad	/L	1	CARRERA 4-S
(5)	996 352 423 30	fixed calliper without pad	/L	1	I450
(5)	997 352 422 00	fixed calliper without pad	/R	1	CARRERA 4
(5)	996 352 426 60	fixed calliper without pad	/R	1	CARRERA 4-S
(5)	996 352 424 30	fixed calliper without pad	/R	1	I450
(6)	986 352 939 10	set of brake pads use also: mounting parts		1	CARRERA 4
(6)	997 351 939 03	set of brake pads use also: mounting parts		1	CARRERA 4-S
(6)	996 352 947 01	set of brake pads use also: mounting parts		1	I450
-	964 352 096 00	damping plate 30 MM		X	CARRERA 4 CARRERA 4-S
-	996 352 086 01	damping plate 28 MM		X	CARRERA 4 CARRERA 4-S

Model	Year	MG	SG	Illustration	Restrictions	Update	13:22	17.11.2005	PORSCHE	PET	PORSCHE
997	06	6	03	603-01		194					

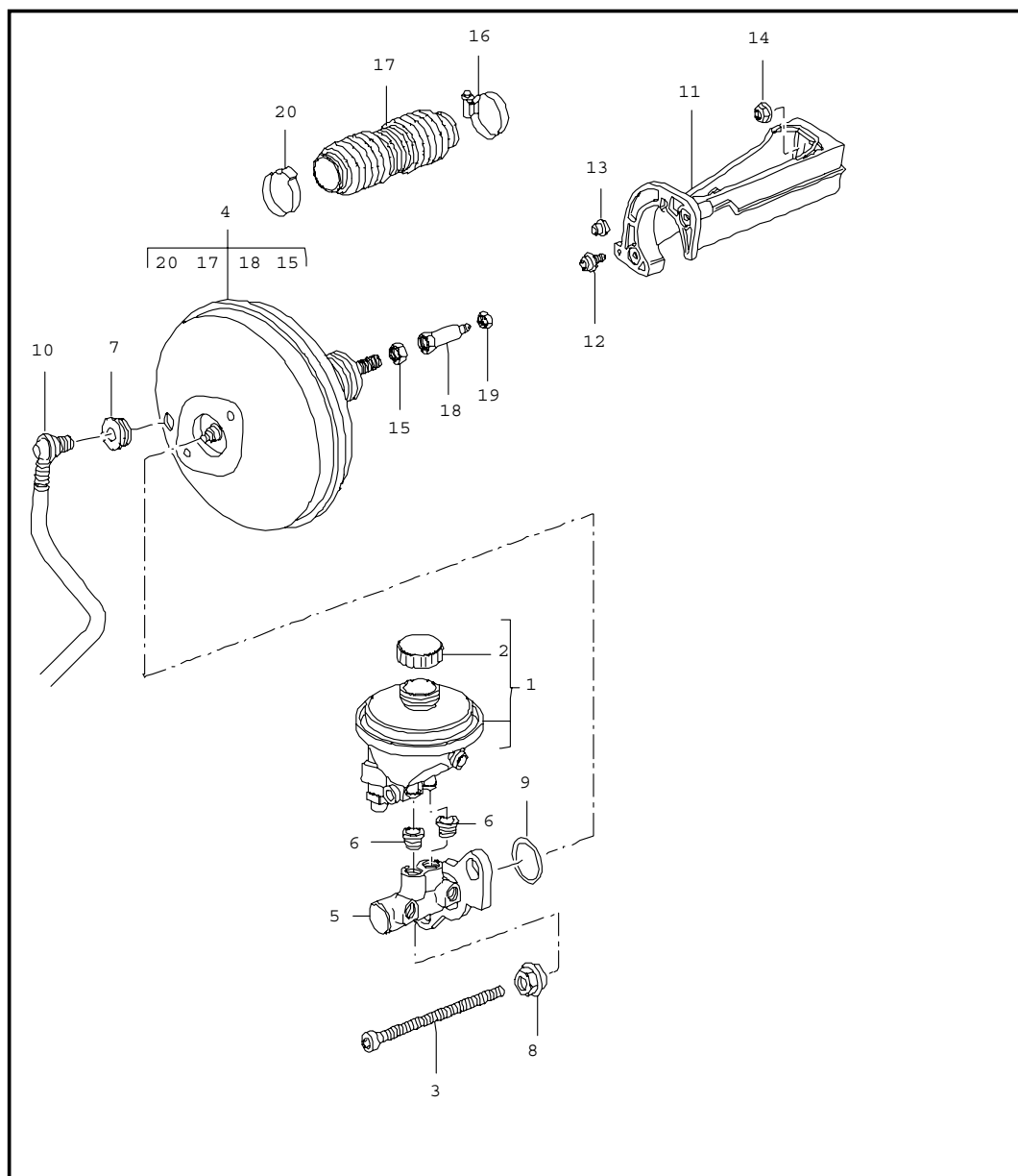
Pos	Part Number	Name	Remarks	Qty	Model	Pos	Part Number	Name	Remarks	Qty	Model
-	996 352 086 01	damping plate 28 MM		X	I450	(12)	996 352 961 30	connecting line	/R	1	I450
7	996 612 365 00	warning contact		2	CARRERA 4	13	930 351 919 01	ventilation valve		4	
(7)	997 612 676 01	warning contact		2	CARRERA 4-S	14	930 351 927 00	dust boot		4	
7	997 612 676 01	warning contact		2	I450	15	000 043 117 00	brake cylinder paste 50 G		X	
(8)	999 067 041 09	pan-head screw M 12 X 1,5 X 72		4	CARRERA 4	(15)	000 043 020 00	optimoly 100 G		X	
(8)	999 067 050 09	pan-head screw M 12 X 1,5 X 77		4	CARRERA 4-S			- - - E N D - - -			
(8)	999 067 047 09	pan-head screw M 12 X 1,5 X 85		4	I450						
9	951 352 917 01	repair kit protection caps 30 MM		2	CARRERA 4						
				2	CARRERA 4-S						
10	951 352 917 00	repair kit protection caps 28 MM		2	CARRERA 4						
				2	CARRERA 4-S						
(10)	951 352 917 00	repair kit protection caps 28 MM		X	I450						
(11)	996 352 959 01	repair kit mounting parts bolt expanding spring securing clip		1	CARRERA 4						
				2							
				2							
				2							
(11)	955 352 960 00	repair kit mounting parts bolt expanding spring securing clip		1	CARRERA 4-S						
				2							
				2							
				2							
(11)	996 351 959 01	repair kit mounting parts bolt expanding spring securing clip		1	I450						
				2							
				2							
				2							
12	996 351 962 00	connecting line	/L	2	CARRERA 4						
(12)	996 351 961 00	connecting line	/R	2	CARRERA 4						
(12)	996 351 962 00	connecting line	/L	2	CARRERA 4-S						
(12)	996 351 961 00	connecting line	/R	1	CARRERA 4-S						
(12)	996 352 961 30	connecting line	/L	1	I450						

Model	Year	MG	SG	Illustration	Restrictions	Update	13:23	17.11.2005	PORSCHE	PET	PORSCHE
997	06	6	03	603-05		194					



Pos	Part Number	Name	Remarks	Qty	Model
		handbrake			
(1)	996 352 993 02	repair kit 1 set		1	
2	993 352 071 00	adjusting screw		2	
3	997 352 721 00	tension spring short		2	
4	997 352 723 02	tension spring long		2	
5	993 352 737 00	bolt		2	
6	U 997 352 741 00	compression spring		4	
(6)	997 352 741 01	compression spring		4	
7	997 352 807 00	bracket		2	
8	993 352 073 00	push-button lock complete		2	
		- - - E N D - - -			

Model	Year	MG	SG	Illustration	Restrictions	Update	13:23	17.11.2005	PORSCHE	PET	PORSCHE
997	06	6	04	604-00		194					

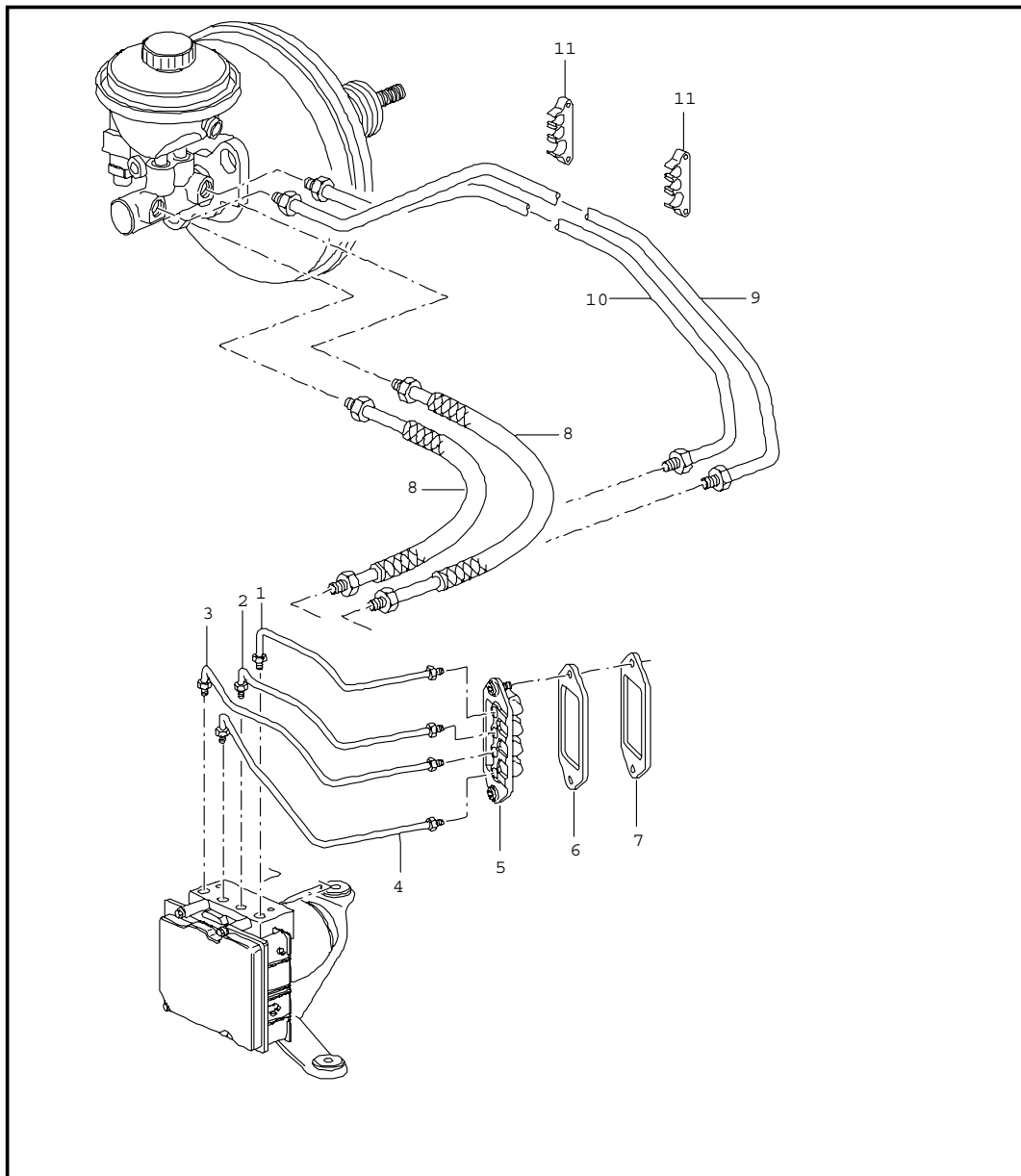


Pos	Part Number	Name	Remarks	Qty	Model
1	997 355 013 00	brake master cylinder brake booster			
(1)	997 355 013 01	expansion tank	05	1	I480
(1)	997 355 013 20	expansion tank	06-	1	I480
(1)	997 355 013 21	expansion tank	05	1	I249
(1)	997 355 013 21	expansion tank	06-	1	I249
2	996 355 119 01	catch		1	
-	997 355 125 00	support for contact for container		1	
3	999 073 124 09	pan-head screw M 8 X 154 X 80		2	CARRERA 2 CARRERA 2-S
(3)	999 073 327 09	pan-head screw M 8 X 197 X 29		2	CARRERA 4 CARRERA 4-S
4	997 355 923 00	brake booster		1	CARRERA 2 CARRERA 2-S
(4)	997 355 923 20	brake booster		1	CARRERA 4 CARRERA 4-S
-	996 355 137 01	catch threaded joint brake booster		1	
5	997 355 910 00	brake master cylinder		1	CARRERA 2
(5)	997 355 910 10	brake master cylinder		1	CARRERA 2-S I450
(5)	997 355 910 10	brake master cylinder		1	CARRERA 2-S
(5)	997 355 910 00	brake master cylinder		1	CARRERA 4
(5)	997 355 910 30	brake master cylinder		1	CARRERA 4 CARRERA 4-S I450
6	993 355 922 00	grommet		2	
7	999 702 182 40	rubber bush		1	
8	997 355 925 00	hexagon nut		2	
9	993 355 212 00	gasket		1	
10	997 355 577 00	vacuum line		1	CARRERA 2 CARRERA 2-S I098

Model	Year	MG	SG	Illustration	Restrictions	Update	13:23	17.11.2005	PORSCHE	PET	PORSCHE
997	06	6	04	604-00		194					

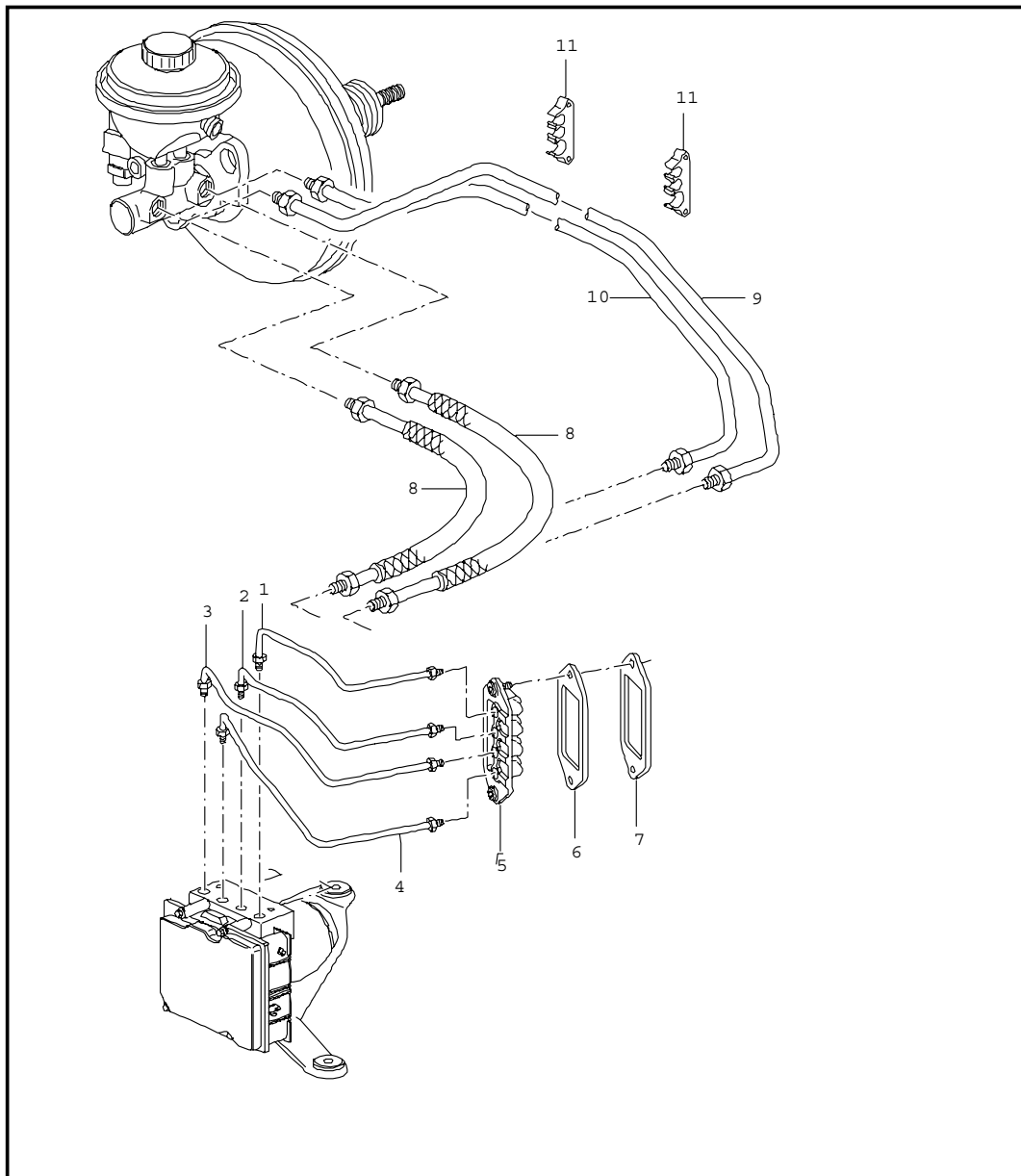
Pos	Part Number	Name	Remarks	Qty	Model	Pos	Part Number	Name	Remarks	Qty	Model
(10)	997 355 577 25	vacuum line		1	CARRERA 4 CARRERA 4-S I098						
11	997 423 251 00	intermediate piece		1							
12	900 067 240 02	screw M 6 X 12 Z1		2							
13	999 703 448 50	plug	/R	1							
14	900 380 005 09	hexagon nut M 8		2							
15	900 183 015 02	hexagon nut M 12 X 1,5		1							
-	996 355 901 01	gasket brake booster bulkhead		1							
16	999 512 478 00	hose clamp		1							
17	996 423 269 05	bellows		1	CARRERA 2 CARRERA 2-S						
(17)	997 355 969 00	bellows		1	CARRERA 4 CARRERA 4-S						
18	996 355 927 01	connecting piece		1							
19	900 380 015 09	hexagon nut M 6		1							
20	999 512 672 00	clamp		1							
		- - - E N D - - -									

Model	Year	MG	SG	Illustration	Restrictions	Update	13:23	17.11.2005	PORSCHE	PET	PORSCHE
997	06	6	04	604-05		194					



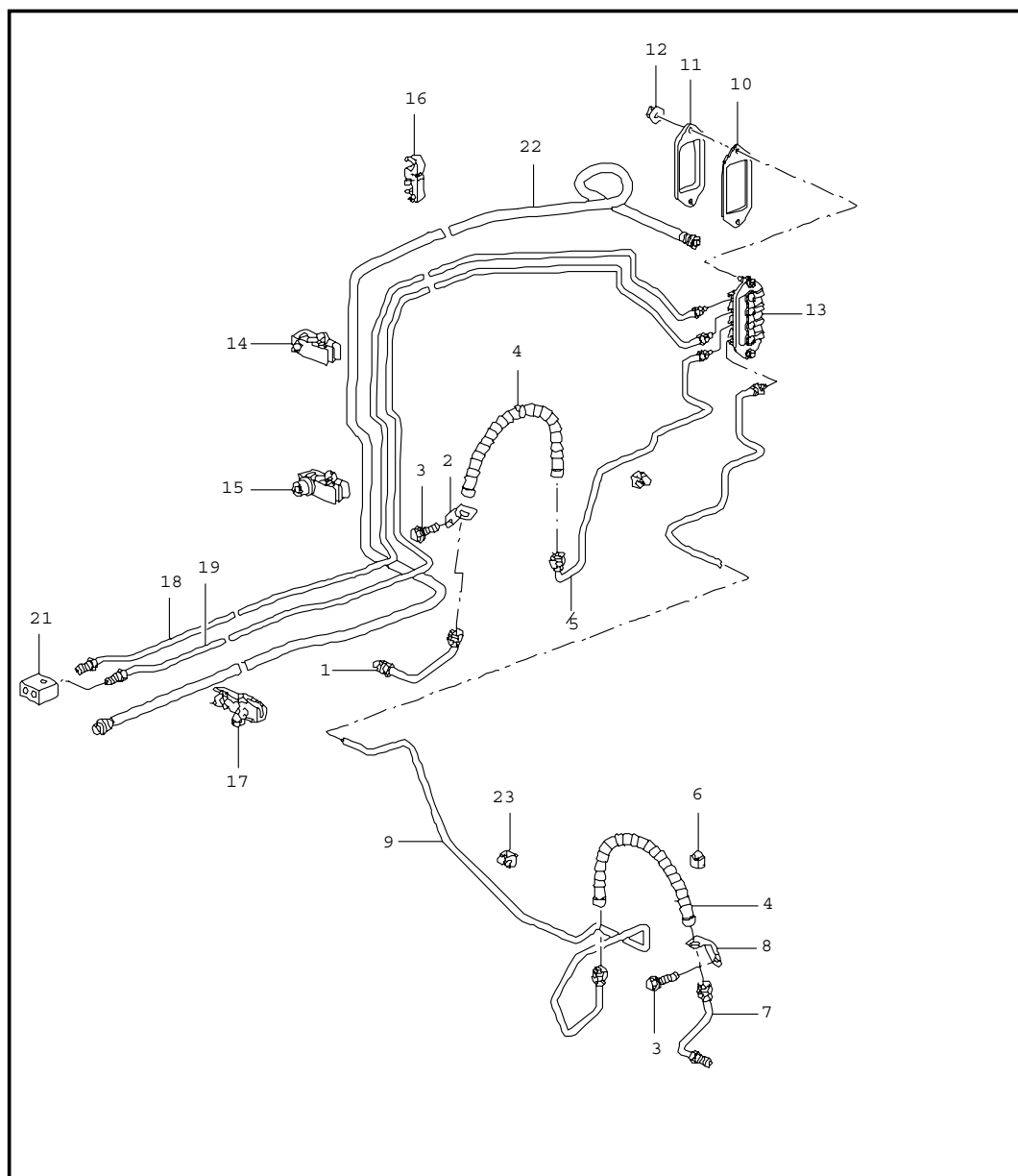
Pos	Part Number	Name	Remarks	Qty	Model
		brake lines body front section			CARRERA 2 CARRERA 2-S
1	997 355 315 00	brake line		1	
2	997 355 316 00	brake line		1	
3	997 355 327 00	brake line		1	
4	997 355 326 00	brake line		1	
5	997 355 650 00	intermediate piece		1	
6	997 355 752 00	gasket		1	
7	997 355 753 00	reinforcement		1	
8	997 355 311 00	pressure line		2	I098
9	997 355 312 00	pressure line		1	I099 CARRERA 2 CARRERA 2-S
10	997 355 314 00	pressure line		1	I099 CARRERA 2 CARRERA 2-S
11	999 507 632 40	cable holder		2	
		- - - E N D - - -			

Model	Year	MG	SG	Illustration	Restrictions	Update	13:23	17.11.2005	PORSCHE	PET	PORSCHE
997	06	6	04	604-06		194					



Pos	Part Number	Name	Remarks	Qty	Model
		brake lines body front section			CARRERA 4 CARRERA 4-S
(1)	997 355 315 26	brake line		1	I098
1	997 355 315 00	brake line		1	I099
(2)	997 355 316 26	brake line		1	I098
2	997 355 316 00	brake line		1	I099
(3)	997 355 327 27	brake line		1	I098
3	997 355 327 00	brake line		1	I099
(4)	997 355 326 27	brake line		1	I098
4	997 355 326 00	brake line		1	I099
5	997 355 650 00	intermediate piece		1	
6	997 355 752 00	gasket		1	
7	997 355 753 00	reinforcement		1	
8	997 355 311 00	pressure line		2	I098
9	997 355 312 25	pressure line		1	I099
10	997 355 314 25	pressure line		1	I099
11	999 507 632 40	cable holder		2	I099
		- - - E N D - - -			

Model	Year	MG	SG	Illustration	Restrictions	Update	13:23	17.11.2005	PORSCHE	PET	PORSCHE
997	06	6	04	604-10		194					

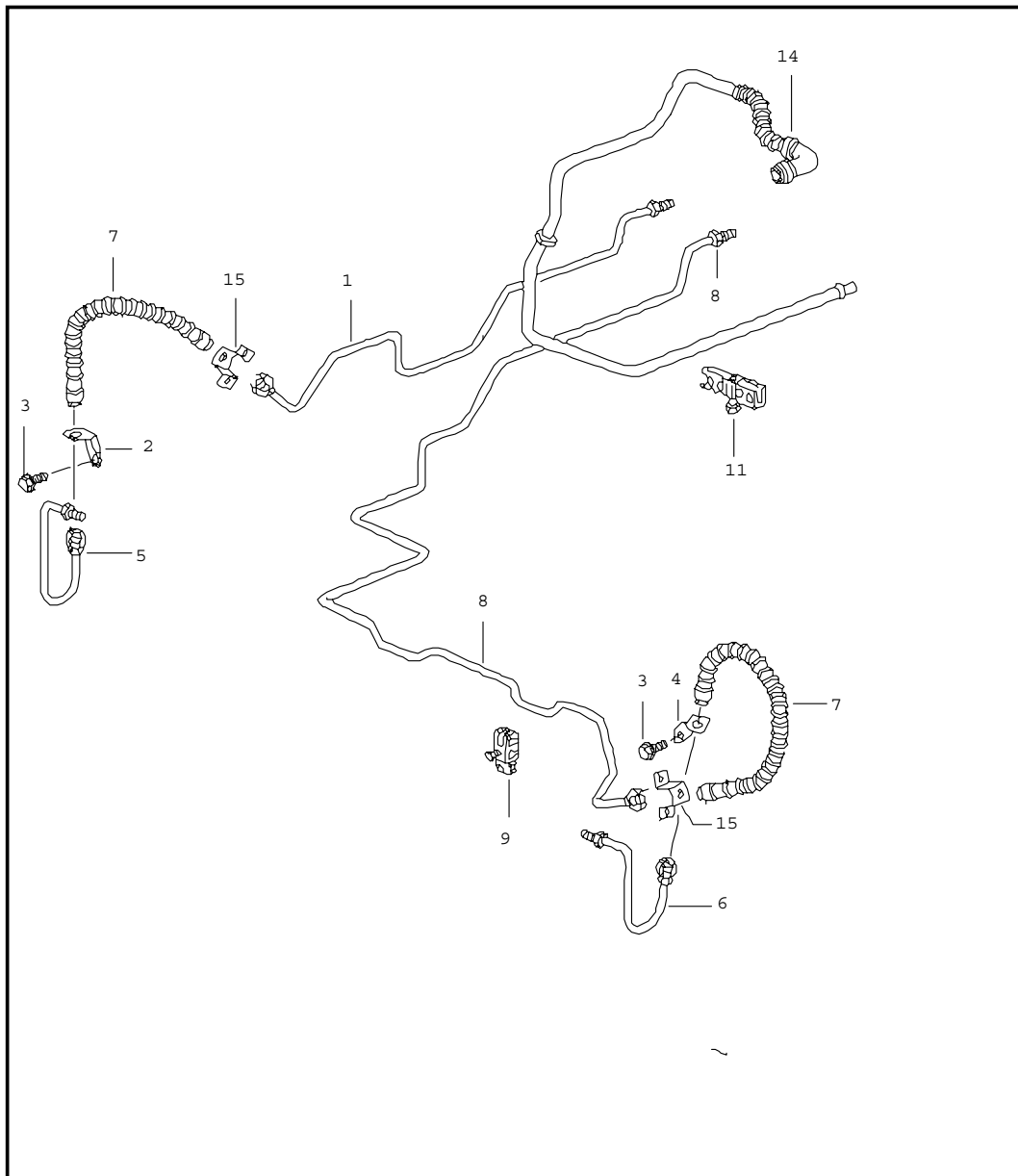


Pos	Part Number	Name	Remarks	Qty	Model
		brake lines brake lines underbody vacuum line			
1	996 355 581 06	brake line	/L	1	CARRERA 2 CARRERA 2-S
(1)	996 355 581 9B	brake line	/L	1	I450 CARRERA 2-S
(1)	997 355 587 00	brake line	/L	1	CARRERA 4 CARRERA 4-S
(1)	996 355 587 03	brake line	/L	1	I450 CARRERA 4 CARRERA 4-S
2	996 355 501 06	brake hose bracket	/L	1	CARRERA 2 CARRERA 2-S
(2)	996 355 507 05	brake hose bracket	/L	1	CARRERA 4 CARRERA 4-S
3	900 067 117 09	pan-head screw M 6 X 16		2	
4	996 355 139 01	brake hose		2	
5	997 355 175 02	brake line	/L	1	CARRERA 2 CARRERA 2-S
(5)	997 355 175 26	brake line	/L	1	CARRERA 4 CARRERA 4-S
6	999 591 930 40	support		X	
7	996 355 584 06	brake line	/R	1	CARRERA 2 CARRERA 2-S
(7)	996 355 584 9B	brake line	/R	1	I450 CARRERA 2-S
(7)	997 355 588 00	brake line	/R	1	CARRERA 4 CARRERA 4-S
(7)	996 355 588 03	brake line	/R	1	I450 CARRERA 4 CARRERA 4-S
8	996 355 502 06	brake hose bracket	/R	1	CARRERA 2 CARRERA 2-S
(8)	996 355 508 05	brake hose bracket	/R	1	CARRERA 4 CARRERA 4-S
9	997 355 176 02	brake line		1	CARRERA 2 CARRERA 2-S

Model	Year	MG	SG	Illustration	Restrictions	Update	13:23	17.11.2005	PORSCHE	PET	PORSCHE
997	06	6	04	604-10		194					

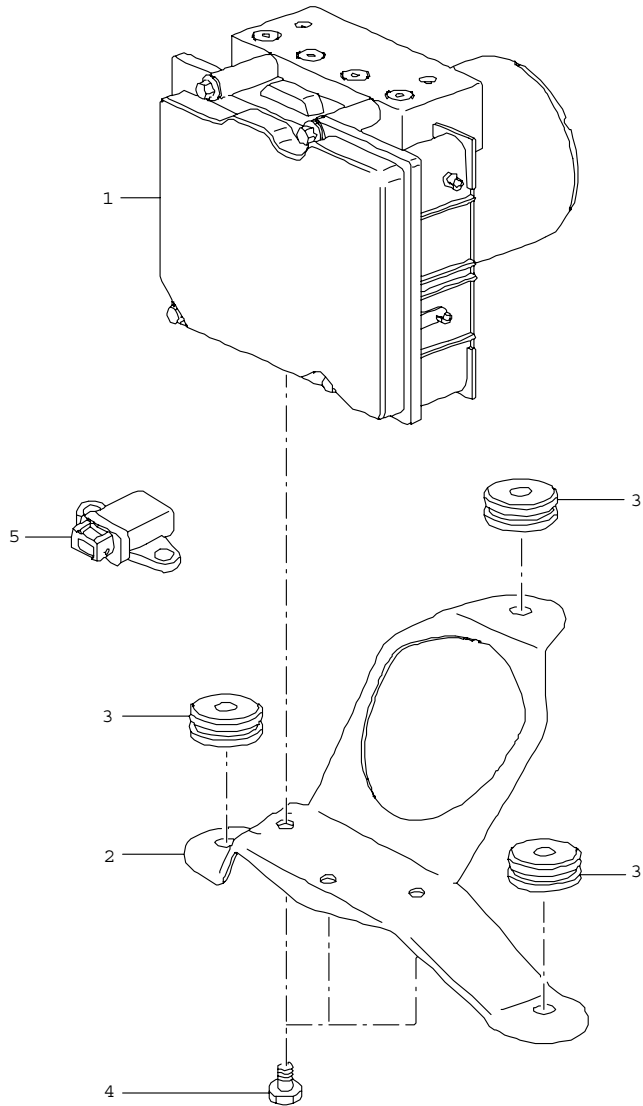
Pos	Part Number	Name	Remarks	Qty	Model	Pos	Part Number	Name	Remarks	Qty	Model
(9)	997 355 176 27	brake line		1	CARRERA 4 CARRERA 4-S						
10	997 355 753 00	reinforcement		1							
11	997 355 752 00	gasket		1							
12	900 380 015 09	hexagon nut M 6		3							
13	997 355 650 00	intermediate piece		1							
14	996 355 545 00	support		3							
15	996 355 549 00	support		1							
16	996 355 547 01	support		2							
17	996 355 543 00	support		1							
18	997 355 177 01	brake line		1							
19	997 355 179 01	brake line		1							
21	996 355 760 31	connecting piece		1							
22	997 355 571 01	vacuum line		1							
-	999 702 289 40	grommet wheel housing		1							
23	999 651 331 40	cable holder		5							
		- - - E N D - - -									

Model	Year	MG	SG	Illustration	Restrictions	Update	13:24	17.11.2005	PORSCHE	PET	PORSCHE
997	06	6	04	604-15		194					



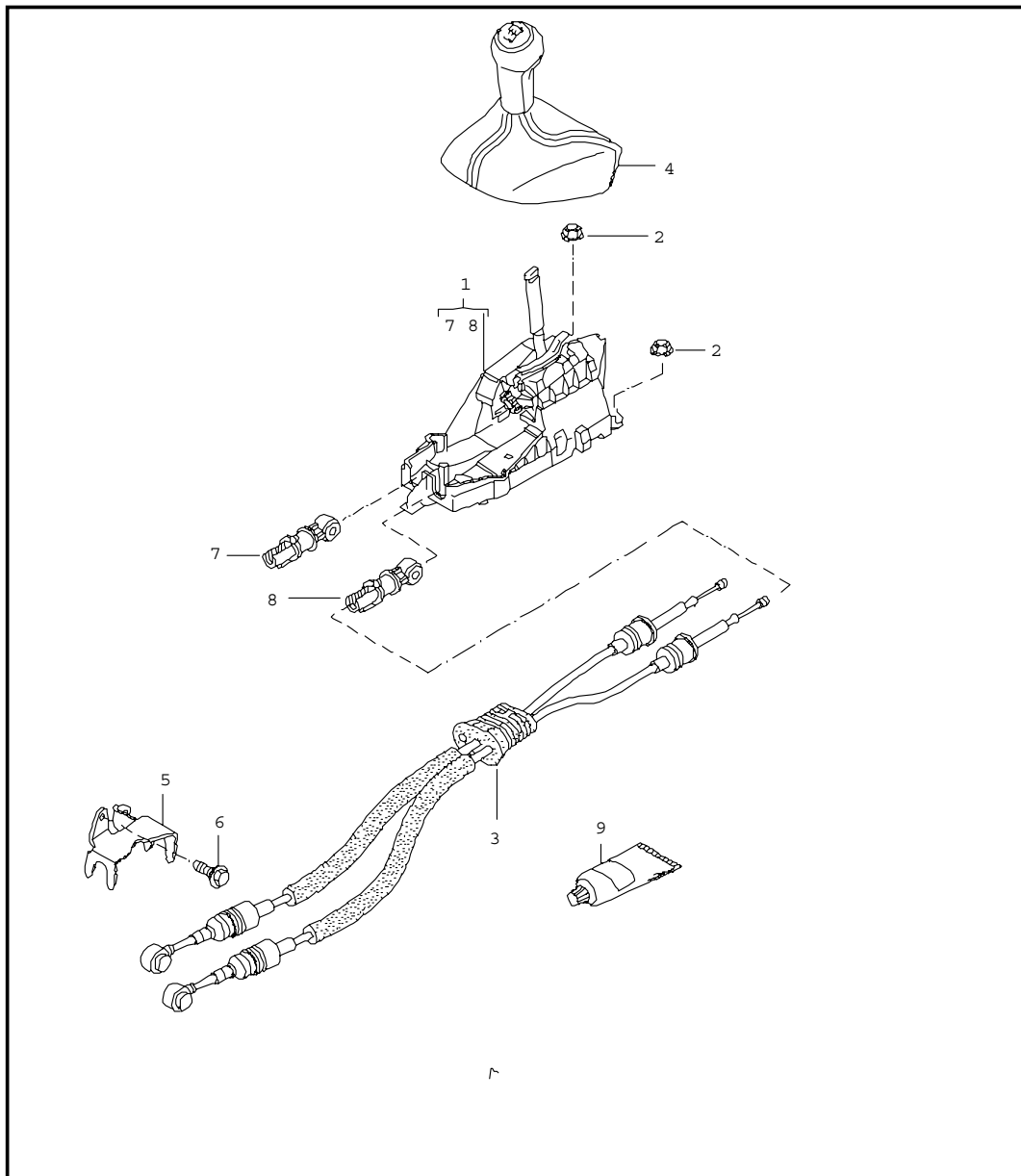
Pos	Part Number	Name	Remarks	Qty	Model
		brake line underbody rear axle vacuum line			
1	997 355 189 00	brake line	/L	1	
2	996 355 503 00	brake hose bracket	/L	1	
(2)	996 355 503 10	support	/L	1	I450
3	900 067 117 09	pan-head screw M 6 X 16		2	
4	996 355 504 00	brake hose bracket	/R	1	
(4)	996 355 504 10	support	/R	1	I450
5	996 355 585 00	brake line	/L	1	
(5)	996 355 585 10	brake line	/L	1	I450
6	996 355 586 00	brake line	/R	1	
(6)	996 355 586 10	brake line	/R	1	I450
7	996 355 139 00	brake hose		2	
8	997 355 190 02	brake line		1	
9	996 347 543 00	cable holder		3	
11	996 355 543 00	support		1	
14	A 997 355 575 00	vacuum line		1	
(14)	997 355 575 01	vacuum line		1	
-	999 507 495 40	support		1	
(15)	996 501 815 02	support		2	
		GRV prime coated			
		- - - E N D - - -			

Model	Year	MG	SG	Illustration	Restrictions	Update	13:24	17.11.2005	PORSCHE	PET	PORSCHE
997	06	6	05	605-00		194					



Pos	Part Number	Name	Remarks	Qty	Model
		hydraulic unit anti-lock brake system control			
1	A 997 355 955 05	hydraulic unit		1	CARRERA 2 CARRERA 2-S
(1)	997 355 955 06	hydraulic unit		1	CARRERA 2 CARRERA 2-S
(1)	997 355 955 28	hydraulic unit		1	CARRERA 4 CARRERA 4-S
2	997 355 033 00	support with rubber mounting		1	CARRERA 2 CARRERA 2-S
(2)	997 355 033 25	support with rubber mounting		1	CARRERA 4 CARRERA 4-S I098
(2)	997 355 033 00	support with rubber mounting		1	CARRERA 4 CARRERA 4-S I099
3	964 356 635 00	rubber mounting		3	
4	900 385 060 09	screw BM 6 X 10		3	
5	996 606 145 00	sensor		1	
- - - E N D - - -					

Model	Year	MG	SG	Illustration	Restrictions	Update	13:24	17.11.2005	PORSCHE	PET	PORSCHE
997	06	7	01	701-00		194					

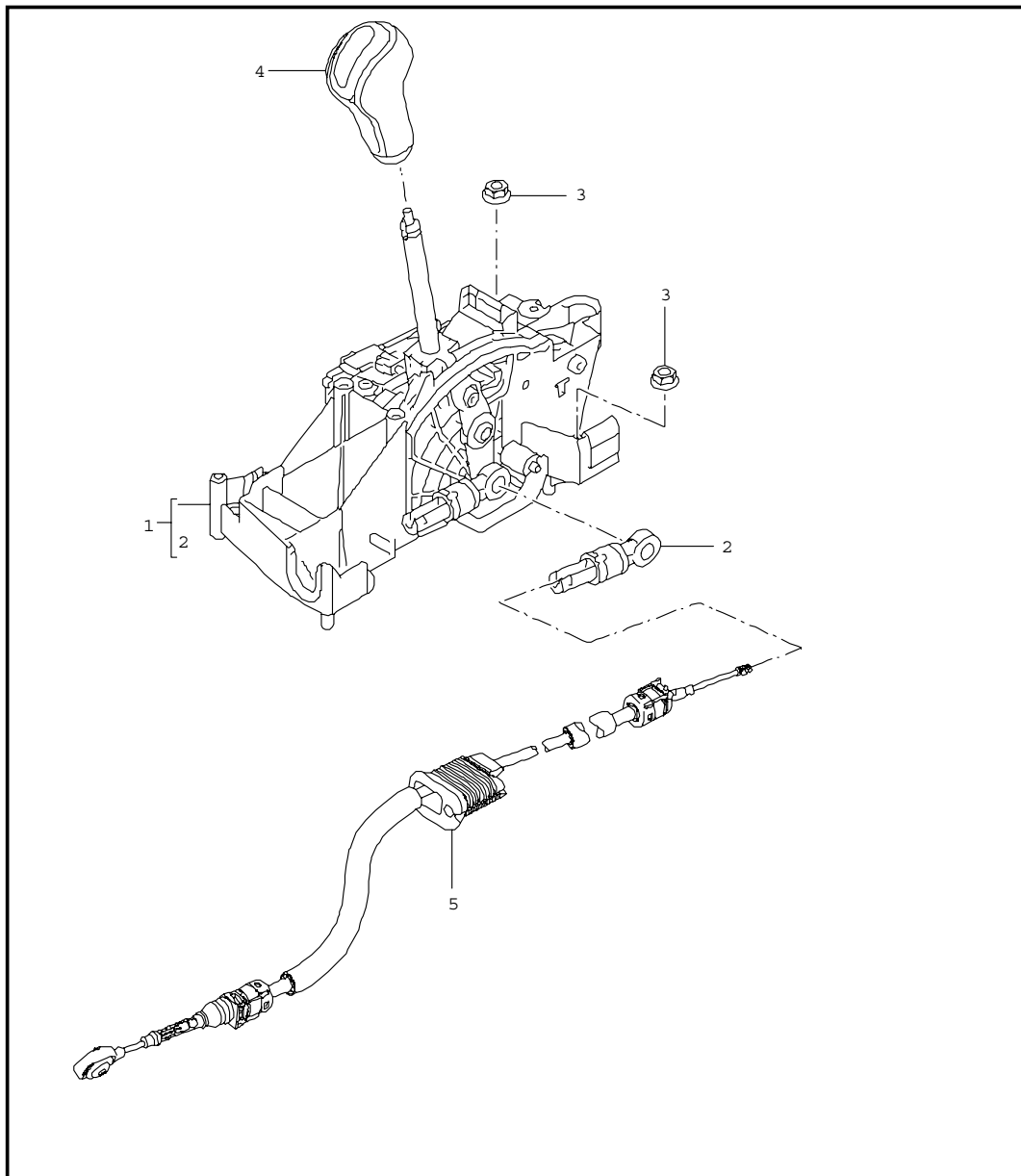


Pos	Part Number	Name	Remarks	Qty	Model
		transmission control manual transmission			I480
1	997 424 010 00	gearshift bracket		1	
(1)	997 424 983 00	gearshift bracket		1	IXCZ
2	999 084 629 09	hexagon nut M 6		4	
3	U 997 424 041 00	cable transmission control		1	
(3)	997 424 041 01	cable transmission control		1	
4	997 424 075 00	gearshift knob leather shift pattern black	05	1	CARRERA
		FOT black/black			
		FOU stone grey/stone grey			
		FOV sand beige/sand beige			
		FOW seeblue/seeblue			
		FOX palm-green/palm-green			
		FPW terrakotta/terrakotta			
		FPX cocoa/cocoa			
		FOY dark grey/dark grey			
		FOZ brown nat./brown nat.			
(4)	997 424 075 01	gearshift knob gearshift knob leather shift pattern aluminium look	06- 05-	1 1	CARRERA CARRERA-S
		FOT black/black			
		FOU stone grey/stone grey			
		FOV sand beige/sand beige			
		FOW seeblue/seeblue			
		FOX palm-green/palm-green			
		FPW terrakotta/terrakotta			
		FPX cocoa/cocoa			

Model	Year	MG	SG	Illustration	Restrictions	Update	13:24	17.11.2005	PORSCHE	PET	PORSCHE
997	06	7	01	701-00		194					

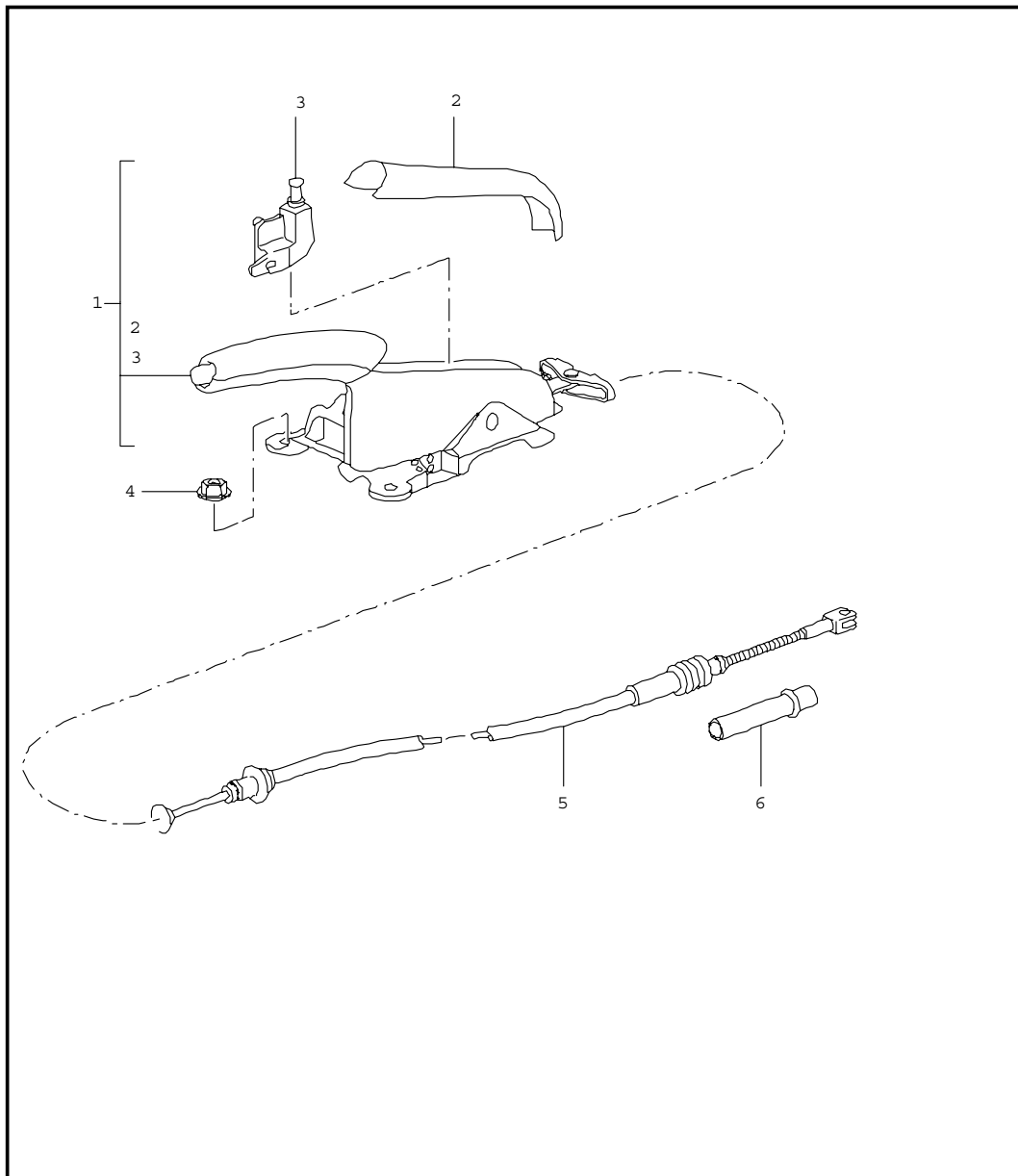
Pos	Part Number	Name	Remarks	Qty	Model	Pos	Part Number	Name	Remarks	Qty	Model
		FOY dark grey/dark grey						FPK sand beige			
		FOZ brown nat./brown nat.						FPL sea blue			
(4)	997 424 075 03	gearshift knob carbon shift pattern aluminium look		1	I803			FPM palmgreen			
		FPP black						FQA terracotta			
		FPQ stone grey						FQB cocoa			
		FPR sand beige						FPN dark grey/natural			
		FPS sea blue				-	996 424 445 00	clip for fastening part		X	
		FPT palmgreen				5	U 997 424 165 02	bearing bracket		1	
		FQC terracotta				(5)	997 424 165 04	bearing bracket		12	
		FQD cocoa				6	900 378 017 09	hexagon-head bolt M 8 X 20		2	
		FPU dark grey/natural				7	996 424 145 01	fastening part for cable adjustable		1	
(4)	997 424 075 04	gearshift knob makassar shift pattern aluminium look		1	I801						
		FPA black				8	996 424 147 00	fastening part for cable adjustable		1	
		FPB stone grey									
		FPC sand beige				9	000 043 205 93	grease 1 tube 100 g		X	
		FPD sea blue									
		FPE palmgreen									
		FPY terracotta									
		FPZ cocoa									
		FPP dark grey/natural									
		FPG brown/natural									
(4)	997 424 075 04	gearshift knob sycamore wood shift pattern aluminium look		1	I802						
		FPH black									
		FPJ stone grey									

Model	Year	MG	SG	Illustration	Restrictions	Update	13:24	17.11.2005	PORSCHE	PET	PORSCHE
997	06	7	01	701-01		194					



Pos	Part Number	Name	Remarks	Qty	Model
		selector lever tiptronic			I249
(1)	997 426 011 01	support with housing		1	
-	996 613 212 10	switch selector lever		1	
2	996 426 035 00	fastening part for cable adjustable		1	
3	999 084 629 09	hexagon nut M 6		4	
4	997 426 069 00	selector knob leather		1	
		8YR black			
		5X5 stone grey			
		8G1 sand beige			
		3S8 sea blue			
		4P1 palmgreen			
		9N2 terracotta			
		9Q3 cocoa			
		D11 dark grey/natural			
		T11 brown/natural			
(4)	997 426 069 03	selector knob		1	I803
		A35 carbon			
(4)	997 426 069 04	selector knob		1	I801
		S61 makassar			
(4)	997 426 069 04	selector knob		1	I802
		S62 sycamore wood			
5 U	997 426 033 00	cable		1	
(5)	997 426 033 01	cable		1	
		- - - E N D - - -			

Model	Year	MG	SG	Illustration	Restrictions	Update	13:24	17.11.2005	PORSCHE	PET	PORSCHE
997	06	7	01	701-05		194					

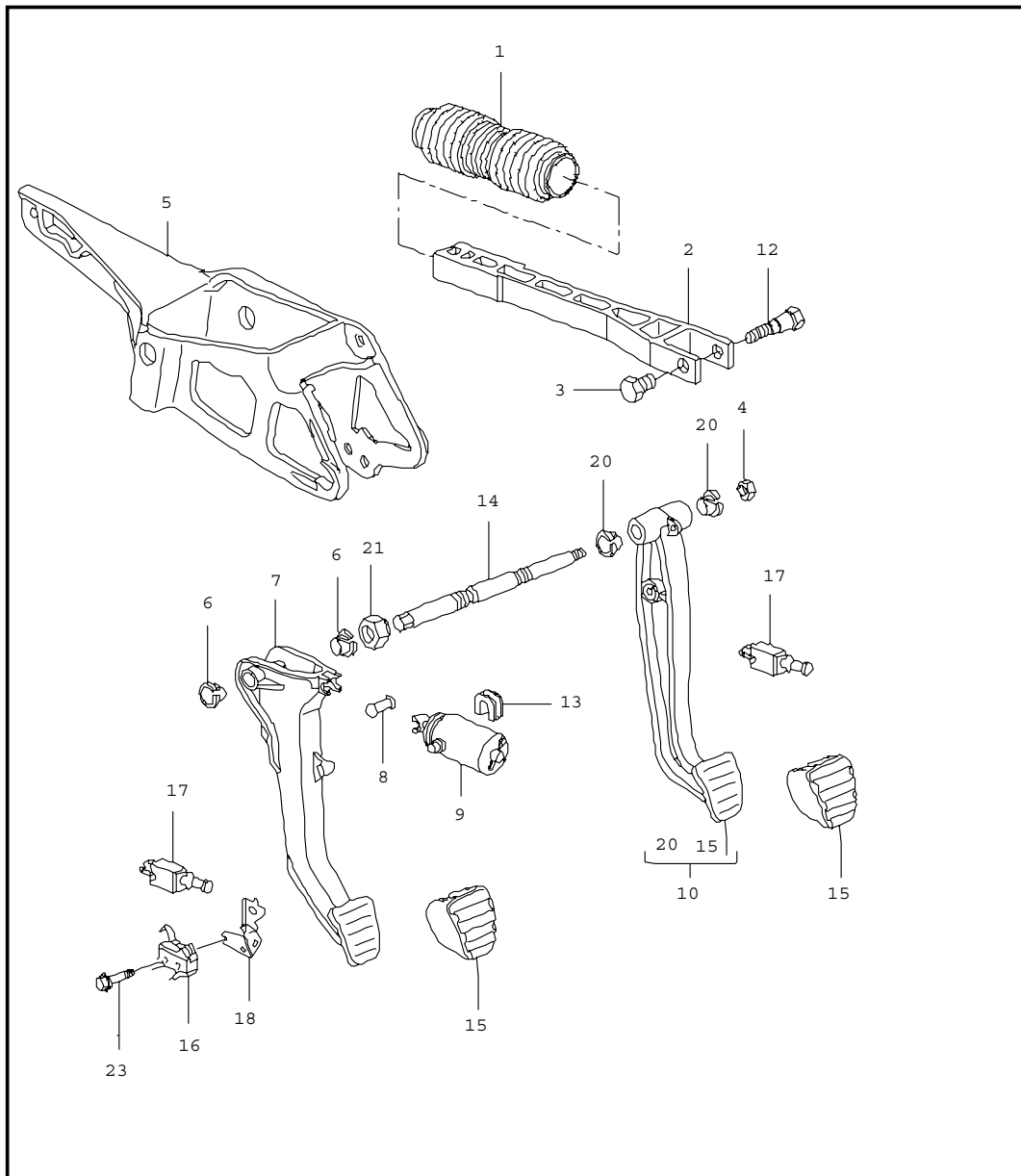


Pos	Part Number	Name	Remarks	Qty	Model
		handbrake actuator			
1	997 424 031 42	parking-brake lever complete leather		1	
	8YR	black			
	5X5	stone grey			
	8G1	sand beige			
	3S8	sea blue			
	4P1	palmgreen			
	9N2	terracotta			
	9Q3	cocoa			
	D11	dark grey/natural			
	T11	brown/natural			
(1)	997 424 031 43	parking-brake lever complete makassar		1	I801
	8YR	black			
	5X5	stone grey			
	8G1	sand beige			
	3S8	sea blue			
	4P1	palmgreen			
	9N2	terracotta			
	9Q3	cocoa			
	D11	dark grey/natural			
	T11	brown/natural			
(1)	997 424 031 44	parking-brake lever complete sycamore wood		1	I802
	8YR	black			
	5X5	stone grey			
	8G1	sand beige			
	3S8	sea blue			

Model	Year	MG	SG	Illustration	Restrictions	Update					
997	06	7	01	701-05		194	13:24	17.11.2005	PORSCHE	PET	PORSCHE

Pos	Part Number	Name	Remarks	Qty	Model	Pos	Part Number	Name	Remarks	Qty	Model
		4P1 palmgreen				5	997 424 141 05	parking-brake cable		2	
		9N2 terracotta				6	996 424 721 02	guide tube		2	
		9Q3 cocoa						- - - E N D - - -			
		D11 dark grey/natural									
		T11 brown/natural									
(1)	997 424 031 45	parking-brake lever complete carbon		1	I803						
		8YR black									
		5X5 stone grey									
		8G1 sand beige									
		3S8 sea blue									
		4P1 palmgreen									
		9N2 terracotta									
		9Q3 cocoa									
		D11 dark grey/natural									
		T11 brown/natural									
2	997 424 155 00	cover leather		1							
		8YR black									
		5X5 stone grey									
		8G1 sand beige									
		3S8 sea blue									
		4P1 palmgreen									
		9N2 terracotta									
		9Q3 cocoa									
		D11 dark grey/natural									
		T11 brown/natural									
3	996 613 112 01	switch		1							
4	999 084 630 09	hexagon nut M 8		4							

Model	Year	MG	SG	Illustration	Restrictions	Update	13:25	17.11.2005	PORSCHE	PET	PORSCHE
997	06	7	02	702-00		194					

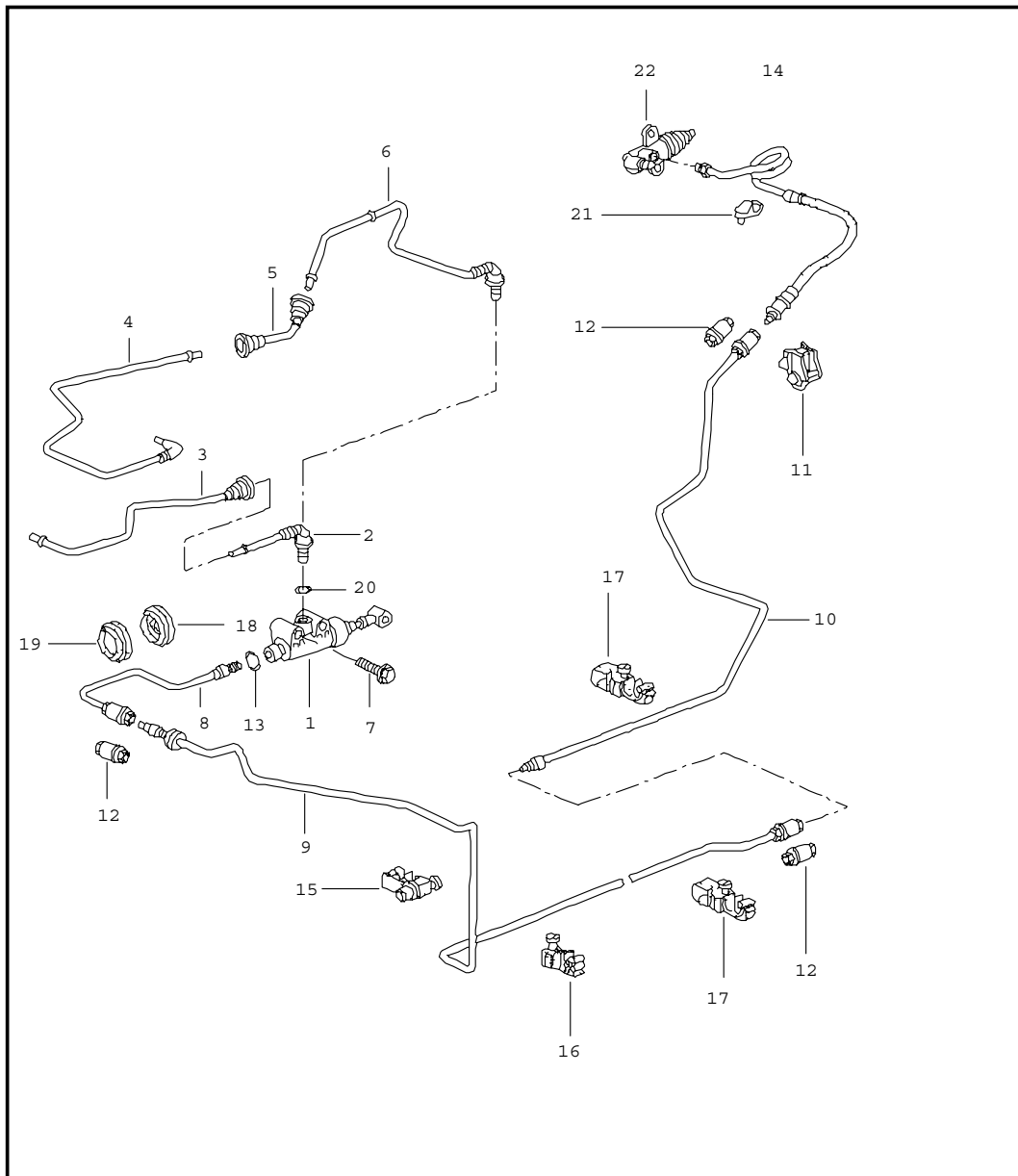


Pos	Part Number	Name	Remarks	Qty	Model
-	000 043 206 17	grease l tube		X	
1	...	bellows see illustrations 6/04/00		1	
(2)	996 423 165 05	push rod		1	
3	996 423 307 00	sleeve		1	
4	900 380 005 09	hexagon nut M 8		3 2	
5	997 423 571 02	bracket for clutch power spring		1	I480
6	997 423 399 01	bush		2	I480
7	997 423 139 01	clutch pedal		1	I480
(8)	996 423 315 06	bolt		1	I480
-	999 166 022 02	kl-lock for bolt		1	I480
9 A	997 423 081 04	clutch power spring		1	CARRERA 2
(9)	997 423 081 06	clutch power spring		1	CARRERA 2 CARRERA 4
(9)	997 423 081 05	clutch power spring		1	CARRERA 2-S CARRERA 4-S
(10)	997 423 091 03	brake pedal		1	I480/098
(10)	997 423 093 03	brake pedal		1	I249/098
12	996 423 308 00	bolt		1	
13	997 423 581 00	bearing shell		1	
14	997 423 281 00	axle		1	I480/098
(14)	996 423 283 05	axle		1	I249/098
15	997 423 910 00	cap		2	I480
(15)	997 423 912 00	cap		1	I249
16	997 613 109 00	switch		1	I480
(17)	996 613 113 01	switch brake pedal		2	

Model	Year	MG	SG	Illustration	Restrictions	Update					
997	06	7	02	702-00		194	13:25	17.11.2005	PORSCHE	PET	PORSCHE

Pos	Part Number	Name	Remarks	Qty	Model	Pos	Part Number	Name	Remarks	Qty	Model
(17)	996 613 114 01	switch clutch pedal		1							
18	997 423 541 00	support		1							
20	997 423 401 00	bush		2	I098						
21	997 423 275 01	screw plug		1							
22	900 378 273 09	hexagon-head bolt M 6 X 18		1							
23	900 146 159 02	round head screw M 3 X 20		1							
24	997 423 695 00	rubber stop		1							
25	997 423 697 00	rubber stop		1							
		- - - E N D - - -									

Model	Year	MG	SG	Illustration	Restrictions	Update	13:25	17.11.2005	PORSCHE	PET	PORSCHE
997	06	7	02	702-08		194					

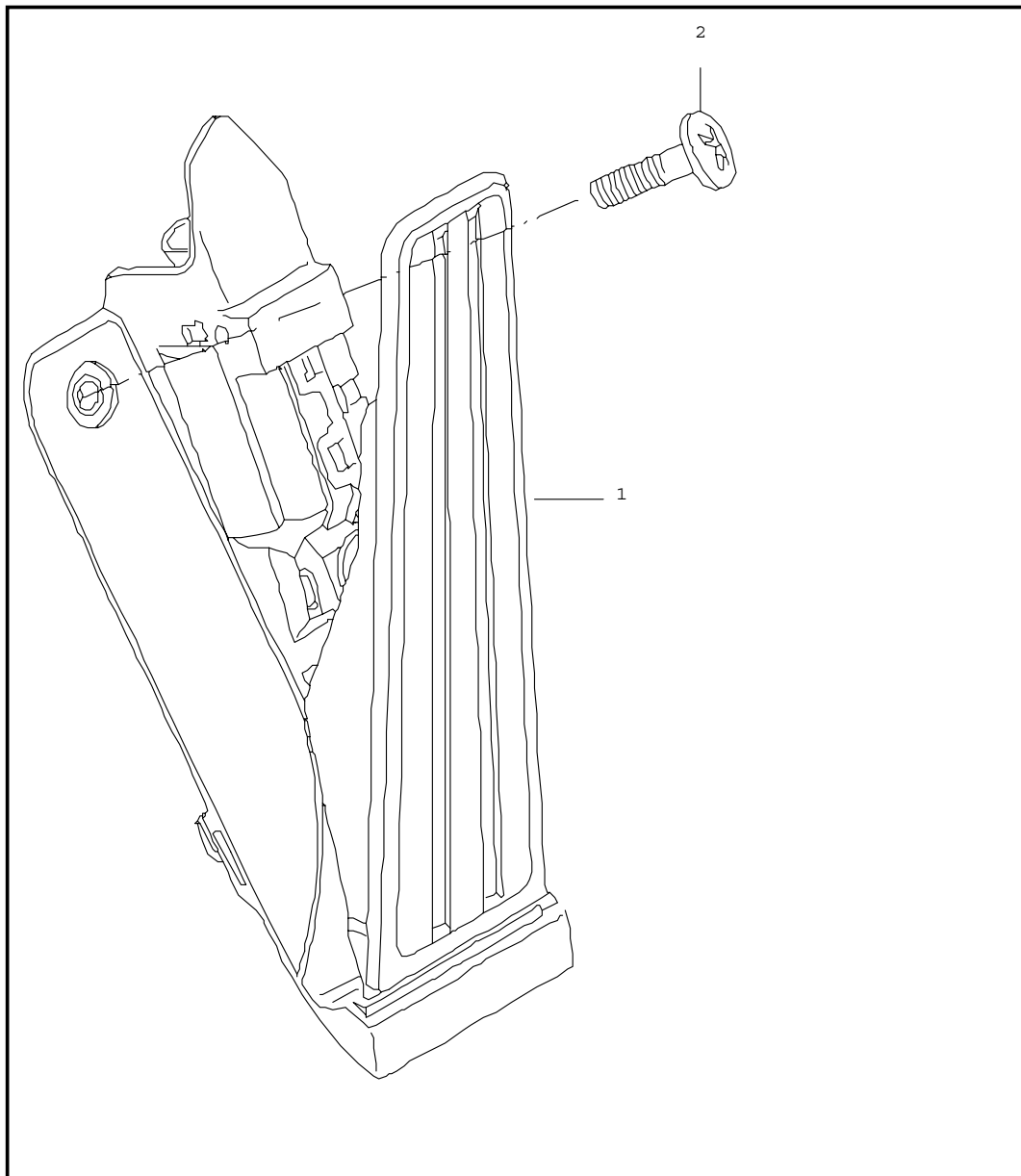


Pos	Part Number	Name	Remarks	Qty	Model
		clutch control clutch master cylinder clutch pipeline			I480
1	997 423 171 01	clutch master cylinder		1	
-	996 423 614 00	circlip pressure line		1	
-	996 423 315 06	bolt		1	
-	999 166 022 02	kl-lock for bolt		1	
2	997 423 147 00	feed line		1	I098
3	997 423 137 00	feed line		1	I098 CARRERA 2 CARRERA 2-S
(3)	997 423 137 25	feed line		1	I098 CARRERA 4 CARRERA 4-S
-	999 703 421 40	grommet side section		1	I249
7	900 378 217 09	hexagon-head bolt M 6 X 40		2	
8	996 423 107 10	clutch pipeline		1	I098
-	999 702 174 50	grommet		1	I098
9	997 423 109 00	clutch pipeline		1	
10	997 423 113 00	clutch pipeline		1	
11	999 507 495 40	support		1	
12	999 230 541 10	threaded joint		3	
13	999 707 333 40	sealing ring		1	
14	997 423 377 00	clutch hose		1	
15	996 355 549 00	support		1	
16	996 355 545 00	support		2	
17	996 355 543 00	support		4	
18	999 702 216 42	grommet		1	
19	999 702 217 41	grommet		1	I249
-	999 507 586 40	cable holder		1	

Model	Year	MG	SG	Illustration	Restrictions	Update						
997	06	7	02	702-08		194	13:25	17.11.2005	PORSCHE	PET	PORSCHE	

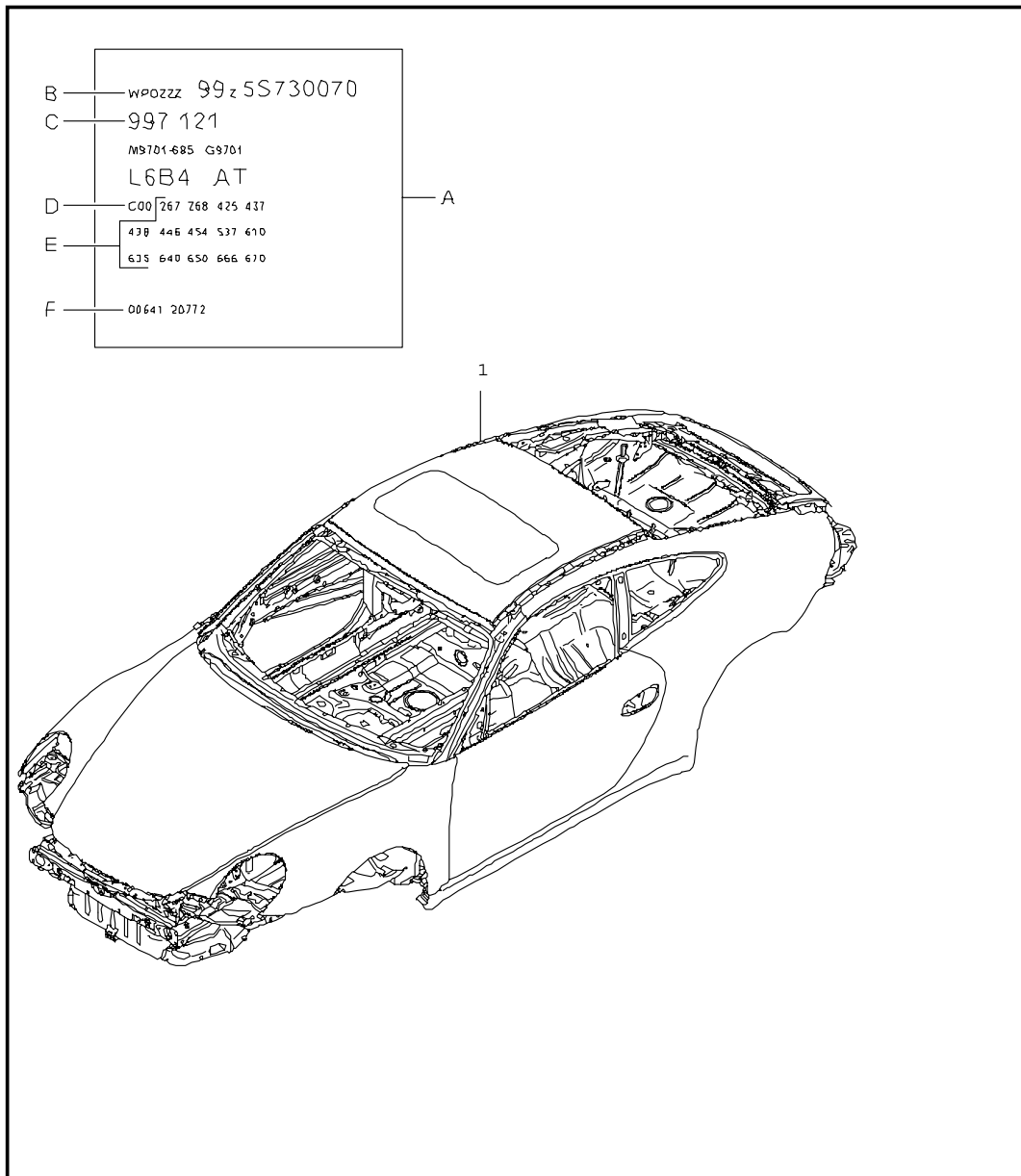
Pos	Part Number	Name	Remarks	Qty	Model	Pos	Part Number	Name	Remarks	Qty	Model
20	999 707 333 40	sealing ring 6,07 X 1,78N		1							
21	999 507 586 40	cable holder		1							
22	997 116 237 01	clutch operating cylinder		1							
-	900 075 222 09	hexagon-head bolt M 8 X 30		2							
		- - - E N D - - -									

Model	Year	MG	SG	Illustration	Restrictions	Update	13:25	17.11.2005	PORSCHE	PET	PORSCHE
997	06	7	02	702-10		194					



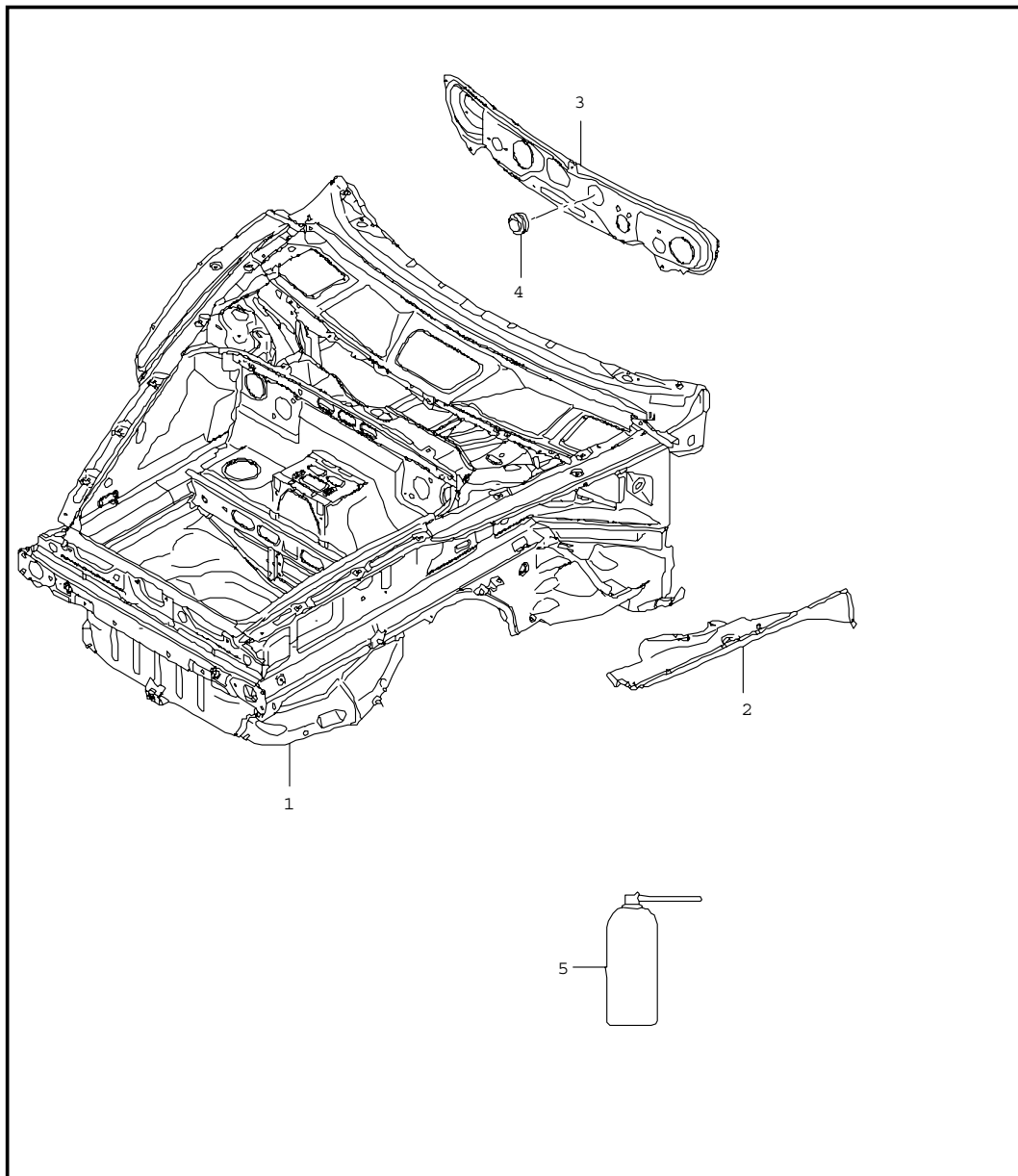
Pos	Part Number	Name	Remarks	Qty	Model
		pedals accelerator control			
1	997 423 019 02	accelerator control		1	I480
(1)	997 423 021 02	accelerator control		1	I249
2	900 146 161 09	round head screw M 6 X 20		1	
- - - E N D - - -					

Model	Year	MG	SG	Illustration	Restrictions	Update	13:25	17.11.2005	PORSCHE	PET	PORSCHE
997	06	8	01	801-00		194					



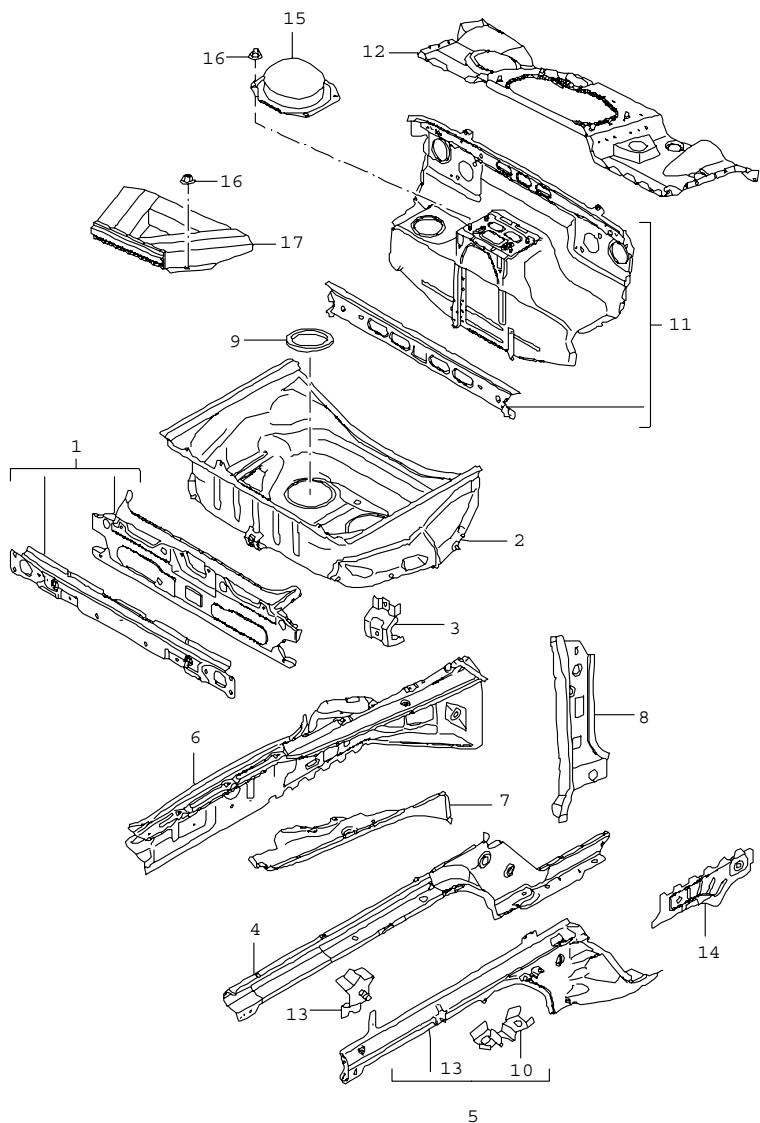
Pos	Part Number	Name	Remarks	Qty	Model
		body in white			
		prime coated sealed with underbody protection with doors/lids/wings			
		bodyshells can only be delivered of the current model year			
		the data (b-f) that you need for your order please find in the data vehicle data bank in on-board folder please indicate this data in your order			
A	-	data bank of the car			
B	-	vehicle identification no.			
C	-	order type			
D	-	country equipment			
E	-	optional extras			
F	-	additional applications			
1	997 500 900 00	body in white		1	
	GRV	prime coated			
		- - - E N D - - -			

Model	Year	MG	SG	Illustration	Restrictions	Update	13:25	17.11.2005	PORSCHE	PET	PORSCHE
997	06	8	01	801-05		194					



Pos	Part Number	Name	Remarks	Qty	Model
1	997 501 911 00	body front section		1	I338
	GRV	prime coated use also: sealing compound Pos. 5 processing instructions see technical manual			
1	997 501 911 01	body front section	/LL	1	I339
	GRV	prime coated use also: sealing compound Pos. 5 processing instructions see technical manual			
2	997 501 945 00	bottom half	/L	1	
	GRV	prime coated			
(2)	997 501 946 00	bottom half	/R	1	
	GRV	prime coated			
3 A	997 504 121 00	cover	/LL	1	
(3)	997 504 121 01	cover	/RL	1	
		use also:			
--	000 043 300 94	adhesive set		1	
4	999 702 255 40	cover 61,5 X 72,6		1	
5	999 915 337 40	sealing compound		1	
		- - - E N D - - -			

Model	Year	MG	SG	Illustration	Restrictions	Update	13:26	17.11.2005	PORSCHE	PET	PORSCHE
997	06	8	01	801-10		194					

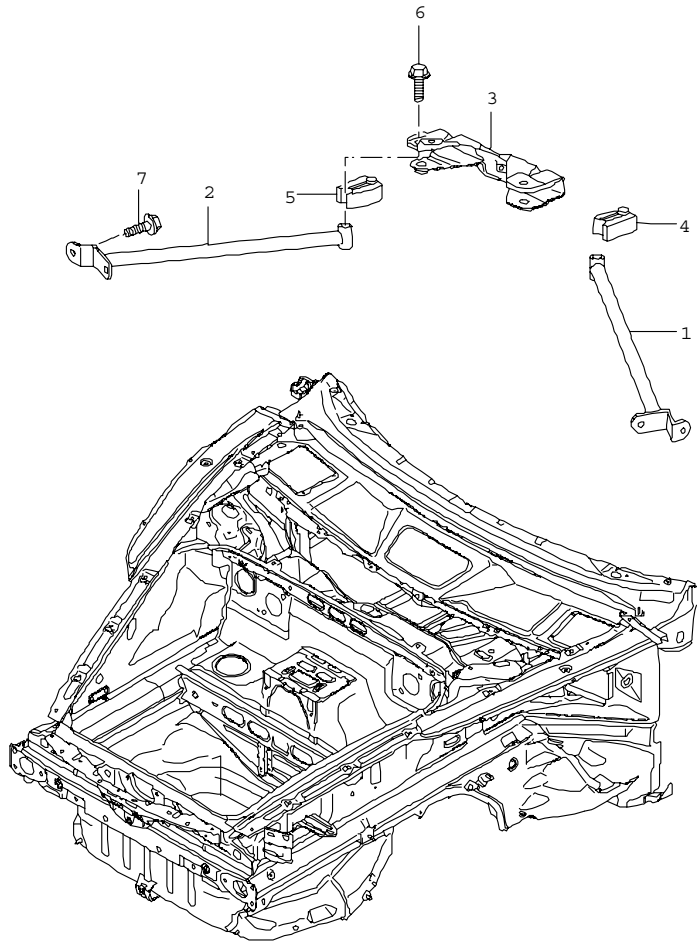


Pos	Part Number	Name	Remarks	Qty	Model
		body front section single parts			
1	997 501 931 00	terminal piece		1	
	GRV	prime coated			
2	997 501 979 00	spare-wheel well		1	I338
	GRV	prime coated			
3	996 501 621 00	support		3	
	GRV	prime coated			
4	997 501 305 01	side member	/L	1	
	GRV	prime coated			
(4)	997 501 306 01	side member	/R	1	
	GRV	prime coated			
5	997 501 915 00	side member	/L	1	
	GRV	prime coated			
(5)	997 501 916 00	side member	/R	1	
	GRV	prime coated			
6	997 501 935 00	wheel housing	/L	1	
	GRV	prime coated			
(6)	997 501 936 01	wheel housing	/R	1	
	GRV	prime coated			
7	997 501 945 00	bottom half	/L	1	
	GRV	prime coated			
(7)	997 501 946 00	bottom half	/R	1	
	GRV	prime coated			
8	997 501 937 00	hinge pillar	/L	1	
	GRV	prime coated			
(8)	997 501 938 00	hinge pillar	/R	1	
	GRV	prime coated			
9	996 504 201 01	cover § 145 MM		2	

Model	Year	MG	SG	Illustration	Restrictions	Update	13:26	17.11.2005	PORSCHE	PET	PORSCHE
997	06	8	01	801-10		194					

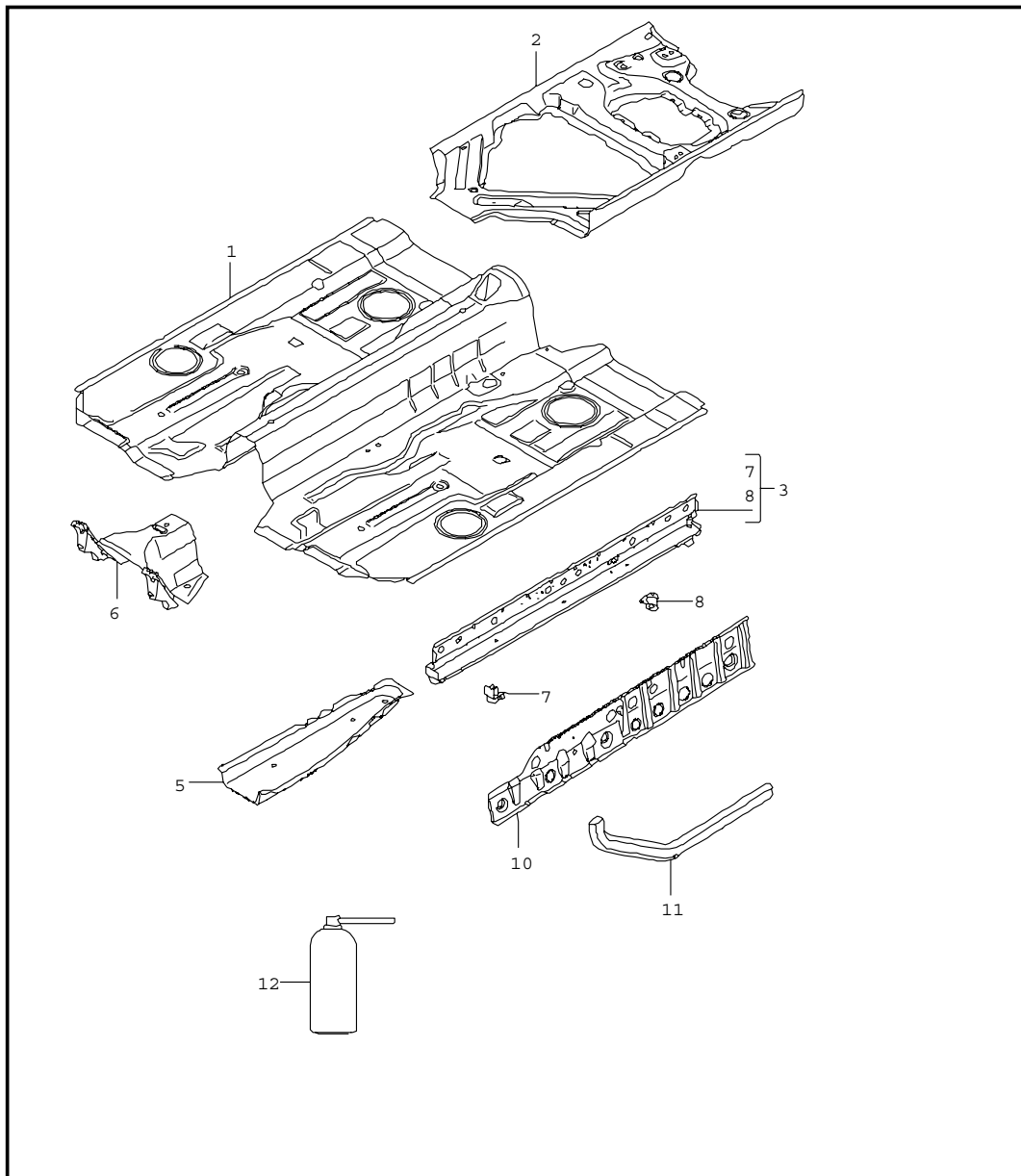
Pos	Part Number	Name	Remarks	Qty	Model	Pos	Part Number	Name	Remarks	Qty	Model
10	996 501 815 02	support		2							
	GRV	prime coated									
11	997 502 921 00	bulkhead		1	C2						
	GRV	prime coated									
12	997 502 017 01	cross panel		1							
	GRV	prime coated									
13	996 501 341 00	support		2							
	GRV	prime coated									
14	997 501 665 01	separator	/L	1							
	GRV	prime coated									
(14)	997 501 666 01	separator	/R	1							
	GRV	prime coated									
15	997 504 471 00	cover bulkhead		1							
16	900 380 015 09	hexagon nut M6		7							
17	997 504 403 00	insert spare-wheel well		1							
		- - - E N D - - -									

Model	Year	MG	SG	Illustration	Restrictions	Update	13:26	17.11.2005	PORSCHE	PET	PORSCHE
997	06	8	01	801-15		194					



Pos	Part Number	Name	Remarks	Qty	Model
		dome strut			
1	996 504 233 01	dome strut	/L	1	
2	996 504 234 01	dome strut	/R	1	
3	997 504 359 00	bracket		1	
4	996 504 633 00	filler piece	/L	1	
5	996 504 634 00	filler piece	/R	1	
6	900 378 100 09	hexagon-head bolt AM 10 X 45		2	
7	900 075 010 09	screw M 6 X 12		4	
		- - - E N D - - -			

Model	Year	MG	SG	Illustration	Restrictions	Update	13:26	17.11.2005	PORSCHE	PET	PORSCHE
997	06	8	01	801-20		194					

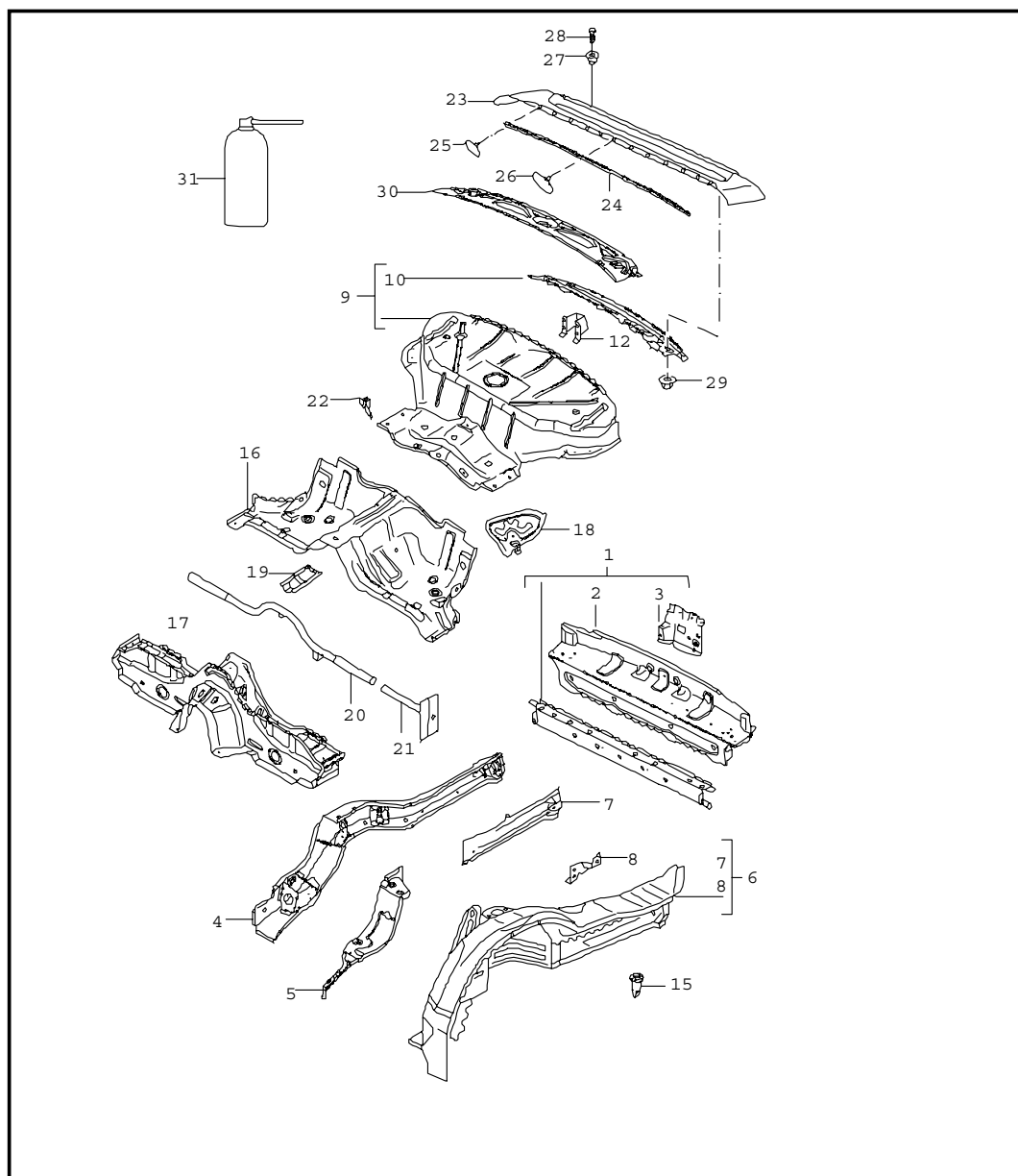


Pos	Part Number	Name	Remarks	Qty	Model
-	000 043 206 29	floor centre		X	
-	000 043 206 30	adhesive set body comprising:		1	
-	000 043 206 31	adhesive		1	
-	000 043 206 31	tool		1	
-	000 043 206 32	mixing tube		1	
-	000 043 206 33	activator		1	
1	997 501 551 00	floor		1	
	GRV	prime coated			
2	997 501 953 00	seat support	/L	1	
	GRV	prime coated			
(2)	997 501 954 00	seat support	/R	1	
	GRV	prime coated			
3	997 501 157 00	side member	/L	1	
	GRV	prime coated			
(3)	997 501 158 00	side member	/R	1	
	GRV	prime coated			
5	997 501 525 00	extension	/L	1	
	GRV	prime coated			
(5)	997 501 526 00	extension	/R	1	
	GRV	prime coated			
6	996 501 751 00	extension		1	
	GRV	prime coated			
7	996 501 785 00	jacking point	/L/V	1	
	GRV	prime coated			
(7)	996 501 786 00	jacking point	/R/V	1	
	GRV	prime coated			
8	996 501 481 01	jacking point	/L/H	1	
	GRV	prime coated			

Model	Year	MG	SG	Illustration	Restrictions	Update	13:26	17.11.2005	PORSCHE	PET	PORSCHE
997	06	8	01	801-20		194					

Pos	Part Number	Name	Remarks	Qty	Model	Pos	Part Number	Name	Remarks	Qty	Model
(8)	996 501 482 01	jacking point	/R/H	1							
	GRV	prime coated									
10	997 501 329 00	retaining bracket	/L	1							
	GRV	prime coated									
(10)	997 501 330 00	retaining bracket	/R	1							
	GRV	prime coated									
11	997 501 439 00	support tube		2							
	GRV	prime coated									
		use also:									
		sealing compound									
		Pos. 12									
		processing instructions									
		see technical manual									
		51 49 55									
12	999 915 337 40	sealing compound		1							
		- - - E N D - - -									

Model	Year	MG	SG	Illustration	Restrictions	Update	13:26	17.11.2005	PORSCHE	PET	PORSCHE
997	06	8	01	801-35		194					

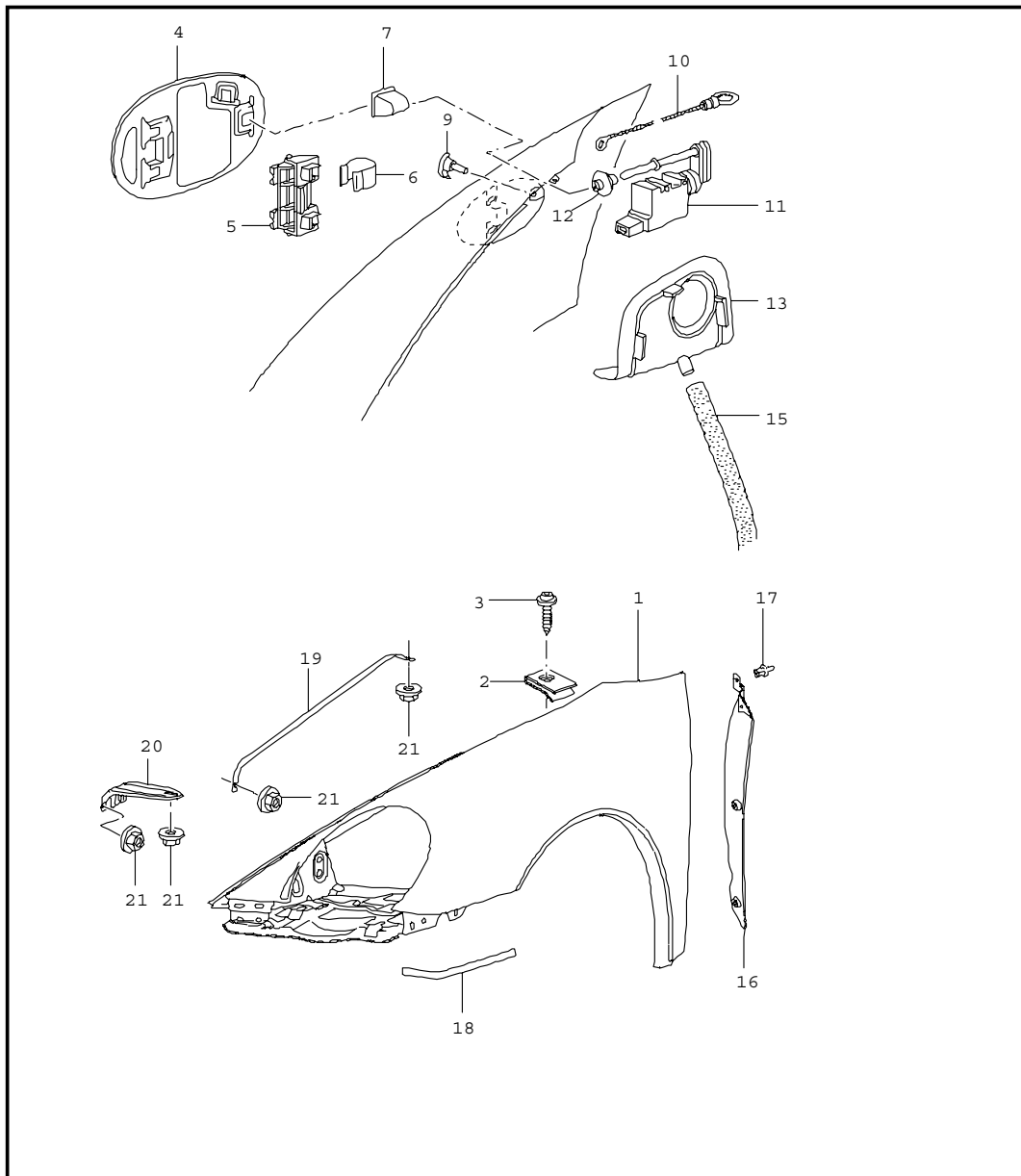


Pos	Part Number	Name	Remarks	Qty	Model
		rear end			
1	997 501 973 00	terminal piece		1	
	GRV	prime coated			
2	997 501 273 00	end plate		1	
	GRV	prime coated			
3	997 501 247 00	lock carrier		1	
	GRV	prime coated			
4	997 501 977 00	side member	/L	1	
	GRV	prime coated use also: sealing compound Pos. 31 processing instructions see technical manual 53 48 55			
(4)	997 501 978 00	side member	/R	1	
	GRV	prime coated use also: sealing compound Pos. 31 processing instructions see technical manual 53 48 55			
5	996 501 933 00	side member	/L	1	
	GRV	prime coated outer			
(5)	996 501 934 00	side member	/R	1	
	GRV	prime coated outer			
6	997 501 943 00	wheel housing	/L	1	
	GRV	prime coated it is necessary to rework see workshop manual			CABRIO
(6)	997 501 944 00	wheel housing	/R	1	
	GRV	prime coated it is necessary to rework see workshop manual			CABRIO
7	996 501 595 01	side member	/L	1	

Model	Year	MG	SG	Illustration	Restrictions	Update	13:26	17.11.2005	PORSCHE	PET	PORSCHE
997	06	8	01	801-35		194					

Pos	Part Number	Name	Remarks	Qty	Model	Pos	Part Number	Name	Remarks	Qty	Model
		GRV prime coated				19	996 501 659 01	bracket		1	
(7)	996 501 596 01	side member	/R	1			GRV prime coated				
		GRV prime coated				20	996 501 411 00	pipe		1	
8	996 501 571 00	bracket	/L	1	CABRIO		GRV prime coated				
		GRV prime coated				21	996 501 415 00	sleeve		2	
(8)	996 501 572 00	bracket	/R	1	CABRIO		GRV prime coated				
		GRV prime coated				22	997 501 611 00	mounting	/L	1	CABRIO
9	997 502 911 00	rear wall		1			GRV prime coated roll-over bar				
		GRV prime coated order also: POS. 12 see workshop manual			CABRIO	(22)	997 501 612 00	mounting	/R	1	CABRIO
10	997 502 673 00	cross member		1	COUPE		GRV prime coated roll-over bar				
		GRV prime coated				23	997 504 345 00	rear centre panel outer		1	COUPE
(10)	997 502 673 01	cross member		1	CABRIO		GRV prime coated				
		GRV prime coated				24	997 504 612 00	gasket rear centre panel prime coated		1	COUPE
(10)	997 502 561 00	cross member		1	CABRIO						
		GRV prime coated upper part				25	999 507 973 40	insert part 2,8 X 6 X 30		2	COUPE
12	997 502 525 00	bracket		1	CABRIO						
		GRV prime coated				26	999 507 974 40	insert part 2,8 X 6 X 50		10	COUPE
15	996 561 825 00	water drain valve wheel housing rear		2							
						27	999 500 109 02	blind rivet nut M 6/0,8 - 3		3	COUPE
16	997 501 549 00	seat well		1							
		GRV prime coated				28	999 073 263 09	screw M 6 X 12		3	COUPE
17	997 501 955 00	cross member		1							
		GRV prime coated				29	999 076 029 02	hexagon nut M 6		2	
18	996 501 461 02	reinforcement	/L	1							
		GRV prime coated				30	997 502 409 01	filler plate		1	COUPE
(18)	996 501 462 02	reinforcement	/R	1			GRV prime coated rear centre panel				
		GRV prime coated				31	999 915 337 40	sealing compound		1	
								- - - E N D - - -			

Model	Year	MG	SG	Illustration	Restrictions	Update	13:27	17.11.2005	PORSCHE	PET	PORSCHE
997	06	8	01	801-40		194					

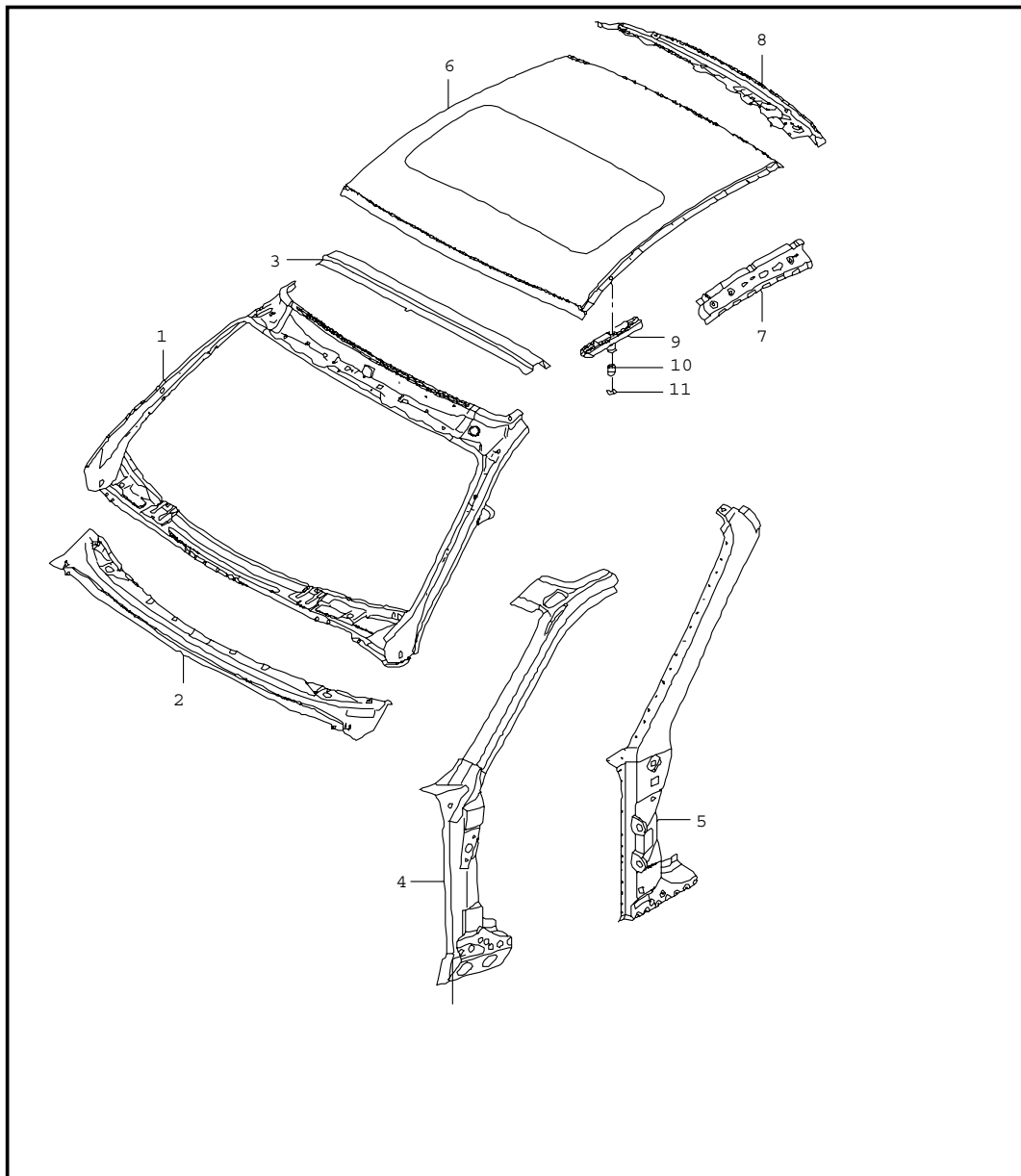


Pos	Part Number	Name	Remarks	Qty	Model
1	997 503 031 00	wing	/L	1	
	GRV	prime coated			
(1)	997 503 032 00	wing	/R	1	
	GRV	prime coated			
2	999 507 003 02	speed nut ST 6,3		22	
3	999 073 128 02	tapping screw ST 6,3 X 14		22	
4	997 504 134 00	fuel filler flap		1	
	GRV	prime coated			
5	996 201 063 00	hinge		1	
6	996 201 413 01	spring		1	
7	996 201 423 00	cap		1	
9	997 504 888 01	rubber stop		1	
10	996 201 493 00	emergency operation		1	
11	997 624 113 00	actuator		1	
12	996 624 505 02	guide rose		1	
13	996 201 667 01	sleeve		1	
15	996 201 153 00	hose		1	
16	997 504 641 01	cover	/L	1	
	01C	black			
(16)	997 504 642 01	cover	/R	1	
	01C	black			
17	999 591 712 40	expansion rivet A 6,0 X 12,0		6	
18	997 504 531 00	protective film	/L	1	
(18)	997 504 532 00	protective film	/R	1	
19	997 504 441 00	strut		2	
	GRV	prime coated			
20	997 504 555 00	bracket		2	

Model	Year	MG	SG	Illustration	Restrictions	Update					
997	06	8	01	801-40		194	13:27	17.11.2005	PORSCHE	PET	PORSCHE

Pos	Part Number	Name	Remarks	Qty	Model	Pos	Part Number	Name	Remarks	Qty	Model
21	900 377 010 09	GRV prime coated nut M 6  - - - E N D - - -		X							

Model	Year	MG	SG	Illustration	Restrictions	Update	13:27	17.11.2005	PORSCHE	PET	PORSCHE
997	06	8	01	801-45		194					

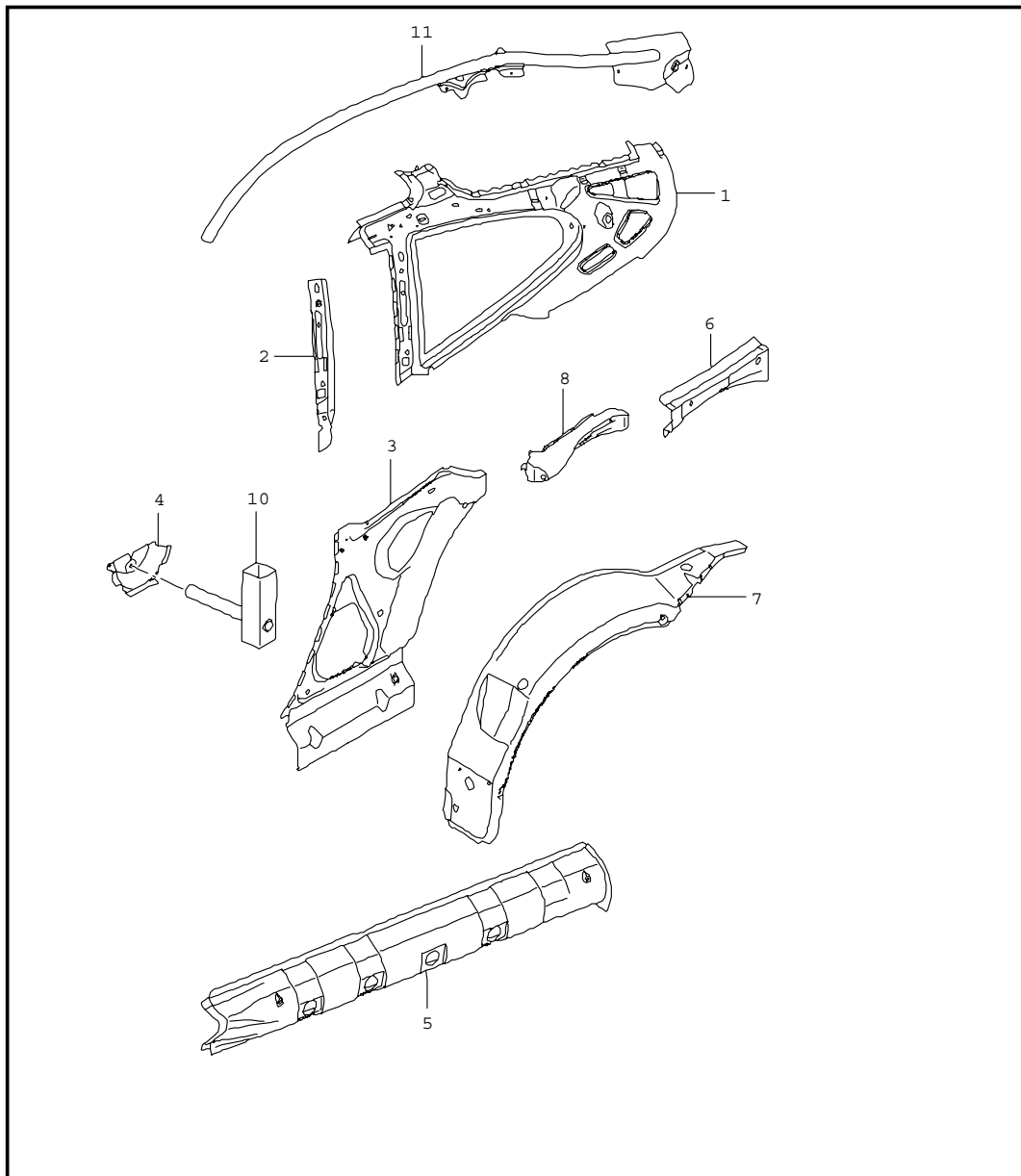


Pos	Part Number	Name	Remarks	Qty	Model
-	000 043 206 29	cowl adhesive set body comprising:		X	
-	000 043 206 30	adhesive		1	
-	000 043 206 31	tool		1	
-	000 043 206 32	mixing tube		1	
-	000 043 206 33	activator		1	
1	997 502 137 00	cowl		1	COUPE
		GRV prime coated inner			
(1)	997 502 137 01	cowl		1	CABRIO
		GRV prime coated inner			
2	997 502 437 00	cowl		1	
		GRV prime coated outer			
3	996 502 529 00	cowl		1	CABRIO
		GRV prime coated outer			
4	997 502 135 00	reinforcement	/L	1	COUPE
		GRV prime coated inner			
(4)	997 502 136 00	reinforcement	/R	1	COUPE
		GRV prime coated inner			
(4)	997 502 135 01	reinforcement	/L	1	CABRIO
		GRV prime coated inner			
(4)	997 502 136 01	reinforcement	/R	1	CABRIO
		GRV prime coated inner			
5	997 502 335 00	hinge pillar	/L	1	CABRIO
		GRV prime coated			

Model	Year	MG	SG	Illustration	Restrictions	Update					
997	06	8	01	801-45		194	13:27	17.11.2005	PORSCHE	PET	PORSCHE

Pos	Part Number	Name	Remarks	Qty	Model	Pos	Part Number	Name	Remarks	Qty	Model
(5)	997 502 336 00	hinge pillar	/R	1	CABRIO						
	GRV	prime coated									
(6)	996 503 501 00	outer roof panel		1							
	GRV	prime coated									
(6)	997 503 501 00	outer roof panel		1	I461						
	GRV	prime coated									
6	996 503 087 03	outer roof panel		1	I650						
	GRV	prime coated									
6	997 503 087 00	outer roof panel		1	I650/461						
	GRV	prime coated									
		use also:									
-	000 043 204 38	sealing material		X							
		70 ML									
		see technical manual									
7	996 502 305 03	roof frame	/L	1	COUPE						
	GRV	prime coated									
(7)	996 502 306 03	roof frame	/R	1	COUPE						
	GRV	prime coated									
8	997 502 505 00	roof frame		1							
	GRV	prime coated									
9	996 504 911 00	plate with threaded pin		X							
10	996 504 505 00	threaded bush		X							
11	900 025 008 09	washer A 10,5		X							
		- - - E N D - - -									

Model	Year	MG	SG	Illustration	Restrictions	Update	13:27	17.11.2005	PORSCHE	PET	PORSCHE
997	06	8	01	801-50		194					

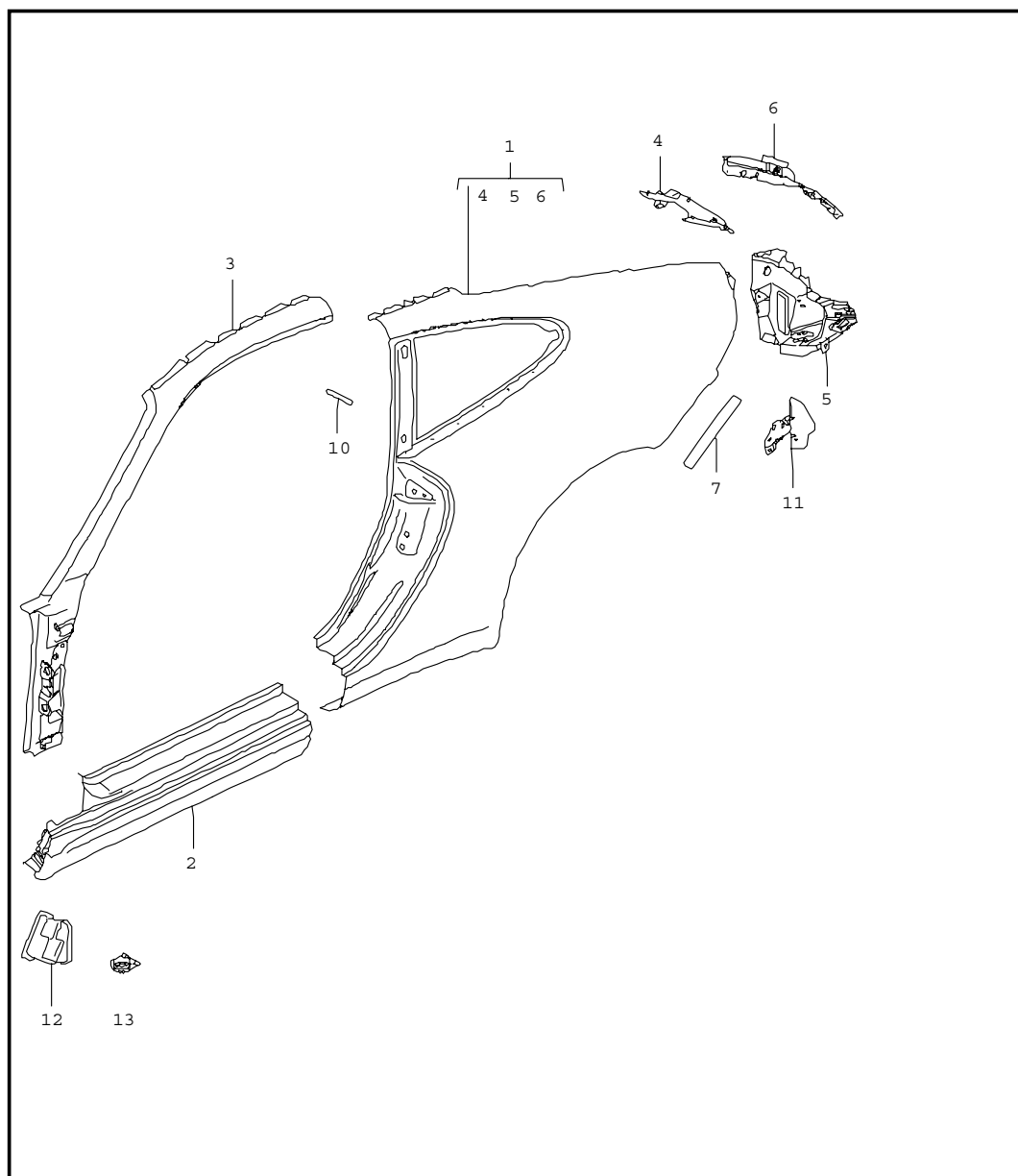


Pos	Part Number	Name	Remarks	Qty	Model
		side section inner			COUPE
-	000 043 206 29	adhesive set body comprising:		X	
-	000 043 206 30	adhesive		1	
-	000 043 206 31	tool		1	
-	000 043 206 32	mixing tube		1	
-	000 043 206 33	activator		1	
1	997 502 153 00	side section GRV prime coated	/L	1	
(1)	997 502 154 00	side section GRV prime coated	/R	1	
2	997 502 423 00	reinforcement GRV prime coated	/L	1	
(2)	997 502 424 00	reinforcement GRV prime coated	/R	1	
3	996 502 083 02	side section GRV prime coated	/L	1	
(3)	996 502 084 02	side section GRV prime coated	/R	1	
4	996 502 383 01	bracket GRV prime coated		2	
5	996 502 733 01	reinforcement GRV prime coated	/L	1	
(5)	996 502 734 01	reinforcement GRV prime coated	/R	1	
6	997 502 115 00	side section GRV prime coated	/L	1	
(6)	997 502 116 00	side section GRV prime coated	/R	1	

Model	Year	MG	SG	Illustration	Restrictions	Update	13:27	17.11.2005	PORSCHE	PET	PORSCHE
997	06	8	01	801-50		194					

Pos	Part Number	Name	Remarks	Qty	Model	Pos	Part Number	Name	Remarks	Qty	Model
7	997 502 215 00	wheel housing	/L	1							
	GRV	prime coated									
(7)	997 502 216 00	wheel housing	/R	1							
	GRV	prime coated									
(7)	997 502 215 01	wheel housing	/L 06-	1	C4						
	GRV	prime coated									
(7)	997 502 216 01	wheel housing	/R 06-	1	C4						
	GRV	prime coated									
8	997 502 161 00	side section	/L	1							
	GRV	prime coated									
(8)	997 502 162 00	side section	/R	1							
	GRV	prime coated									
10	N 997 502 711 00	pipe		2							
	GRV	prime coated									
11	997 502 619 00	pipe	/L	1							
	GRV	prime coated									
(11)	997 502 620 00	pipe	/R	1							
	GRV	prime coated									
		- - - E N D - - -									

Model	Year	MG	SG	Illustration	Restrictions	Update	13:27	17.11.2005	PORSCHE	PET	PORSCHE
997	06	8	01	801-55		194					

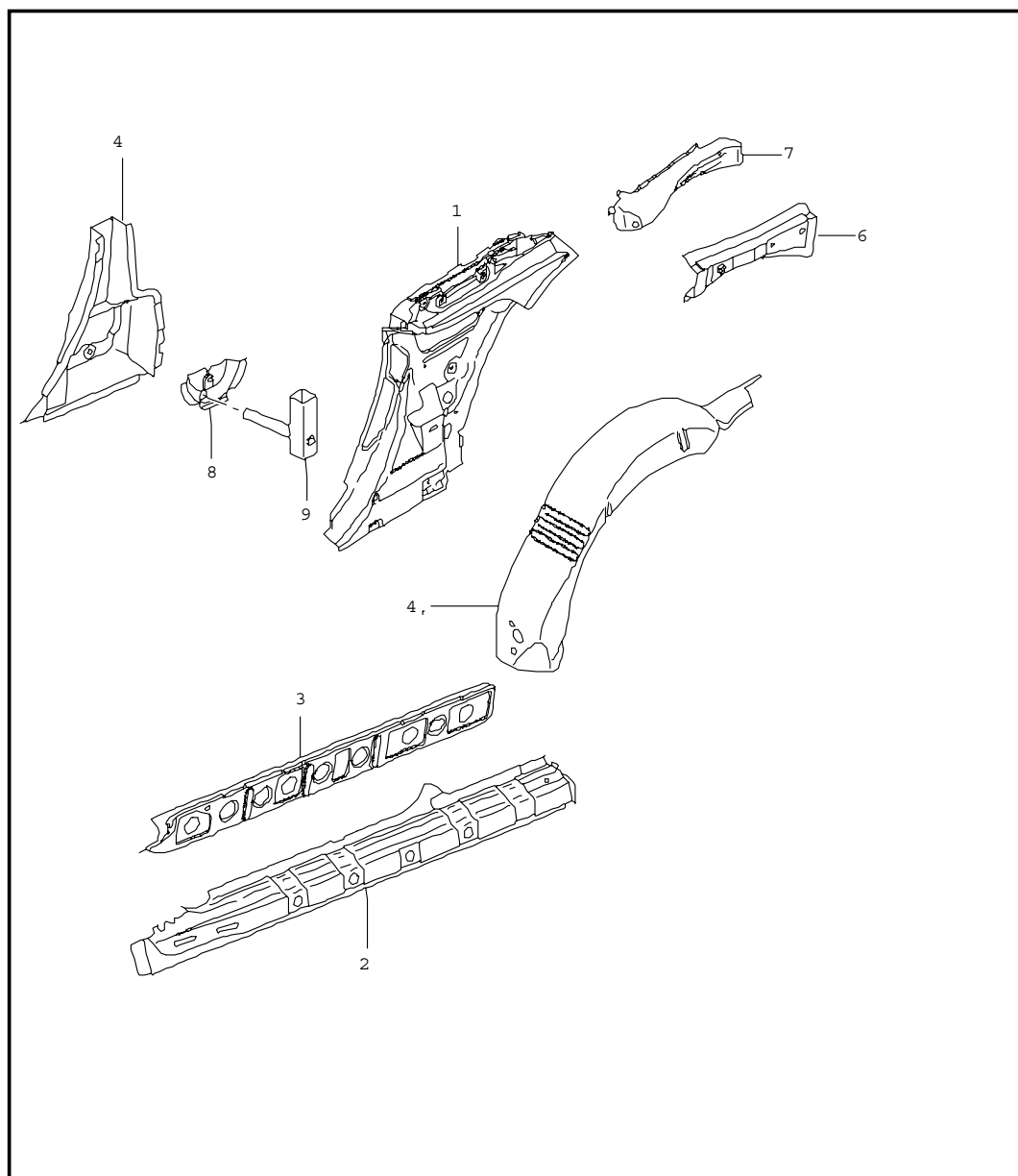


Pos	Part Number	Name	Remarks	Qty	Model
		side section outer			COUPE
1	997 503 961 00	side section	/L	1	
	GRV	prime coated			
(1)	997 503 962 00	side section	/R	1	
	GRV	prime coated			
(1)	997 503 961 02	side section	/L 06-	1	C4
	GRV	prime coated			
(1)	997 503 962 02	side section	/R 06-	1	C4
	GRV	prime coated			
		use also:			
-	999 915 650 40	adhesive TEROMIX 6700		X	
-	000 043 300 48	tool see technical manual group 5 53 55 55		X	
2	997 503 963 00	door sill	/L	1	
	GRV	prime coated			
(2)	997 503 964 00	door sill	/R	1	
	GRV	prime coated			
(2)	997 503 963 02	door sill	/L 06-	1	C4
	GRV	prime coated			
(2)	997 503 964 02	door sill	/R 06-	1	C4
	GRV	prime coated			
3	997 503 965 00	roof frame	/L	1	
	GRV	prime coated			
(3)	997 503 966 00	roof frame	/R	1	
	GRV	prime coated			
4	997 502 365 00	sealing channel	/L	1	
	GRV	prime coated			
(4)	997 502 366 00	sealing channel	/R	1	

Model	Year	MG	SG	Illustration	Restrictions	Update	13:27	17.11.2005	PORSCHE	PET	PORSCHE
997	06	8	01	801-55		194					

Pos	Part Number	Name	Remarks	Qty	Model	Pos	Part Number	Name	Remarks	Qty	Model
		GRV prime coated									
5	997 502 461 00	frame for light	/L	1							
		GRV prime coated									
(5)	997 502 462 00	frame for light	/R	1							
		GRV prime coated									
6	997 502 213 00	bracket	/L	1							
		GRV prime coated									
(6)	997 502 214 00	bracket	/R	1							
		GRV prime coated									
7	997 504 631 00	protective film		2							
8	997 504 907 00	gasket see workshop manual		2							
9	997 501 487 00	reinforcement	/L	1							
		GRV prime coated									
(9)	997 501 488 00	reinforcement	/R	1							
		GRV prime coated									
10	996 537 237 00	protective film		2							
11	997 501 487 00	angular plate	/L	1							
		GRV prime coated									
(11)	997 501 488 00	angular plate	/R	1							
		GRV prime coated									
12	997 572 311 00	water protection	/L	1							
(12)	997 572 312 00	water protection	/R	1							
13	999 703 475 40	drain tube door sill		2							
		- - - E N D - - -									

Model	Year	MG	SG	Illustration	Restrictions	Update	13:28	17.11.2005	PORSCHE	PET	PORSCHE
997	06	8	01	801-60		194					

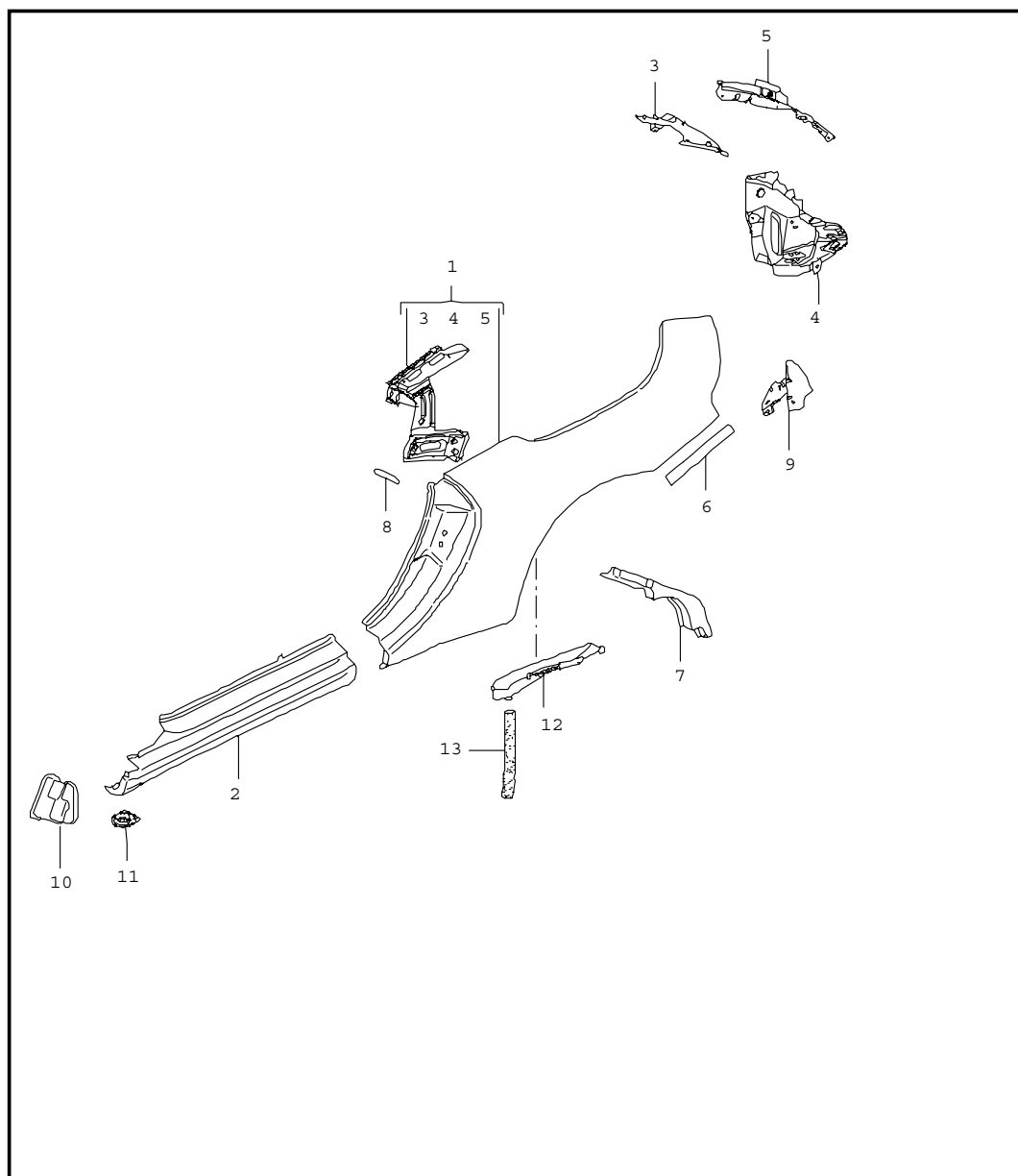


Pos	Part Number	Name	Remarks	Qty	Model
		side section inner			CABRIO
1	997 502 073 01	side section	/L	1	
	GRV	prime coated			
(1)	997 502 074 01	side section	/R	1	
	GRV	prime coated			
2	997 502 663 00	reinforcement	/L	1	
	GRV	prime coated			
(2)	997 502 664 00	reinforcement	/R	1	
	GRV	prime coated			
3	996 502 683 01	separator	/L	1	
	GRV	prime coated			
(3)	996 502 684 01	separator	/R	1	
	GRV	prime coated			
4	996 502 415 01	b-pillar	/L	1	
	GRV	prime coated			
(4)	996 502 416 01	b-pillar	/R	1	
	GRV	prime coated			
5	997 502 215 00	wheel housing	/L	1	
	GRV	prime coated			
(5)	997 502 216 00	wheel housing	/R	1	
	GRV	prime coated			
(5)	997 502 215 01	wheel housing	/L 06-	1	C4
	GRV	prime coated			
(5)	997 502 216 01	wheel housing	/R 06-	1	C4
	GRV	prime coated			
6	997 502 087 00	side section	/L	1	
	GRV	prime coated			
(6)	997 502 088 00	side section	/R	1	
	GRV	prime coated			

Model	Year	MG	SG	Illustration	Restrictions	Update	13:28	17.11.2005	PORSCHE	PET	PORSCHE
997	06	8	01	801-60		194					

Pos	Part Number	Name	Remarks	Qty	Model	Pos	Part Number	Name	Remarks	Qty	Model
7	997 502 161 01	side section	/L	1							
	GRV	prime coated									
(7)	997 502 162 01	side section	/R	1							
	GRV	prime coated									
8	996 502 669 00	pipe		2							
	GRV	prime coated									
9	996 502 383 01	bracket		2							
	GRV	prime coated									
		- - - E N D - - -									

Model	Year	MG	SG	Illustration	Restrictions	Update	13:28	17.11.2005	PORSCHE	PET	PORSCHE
997	06	8	01	801-65		194					

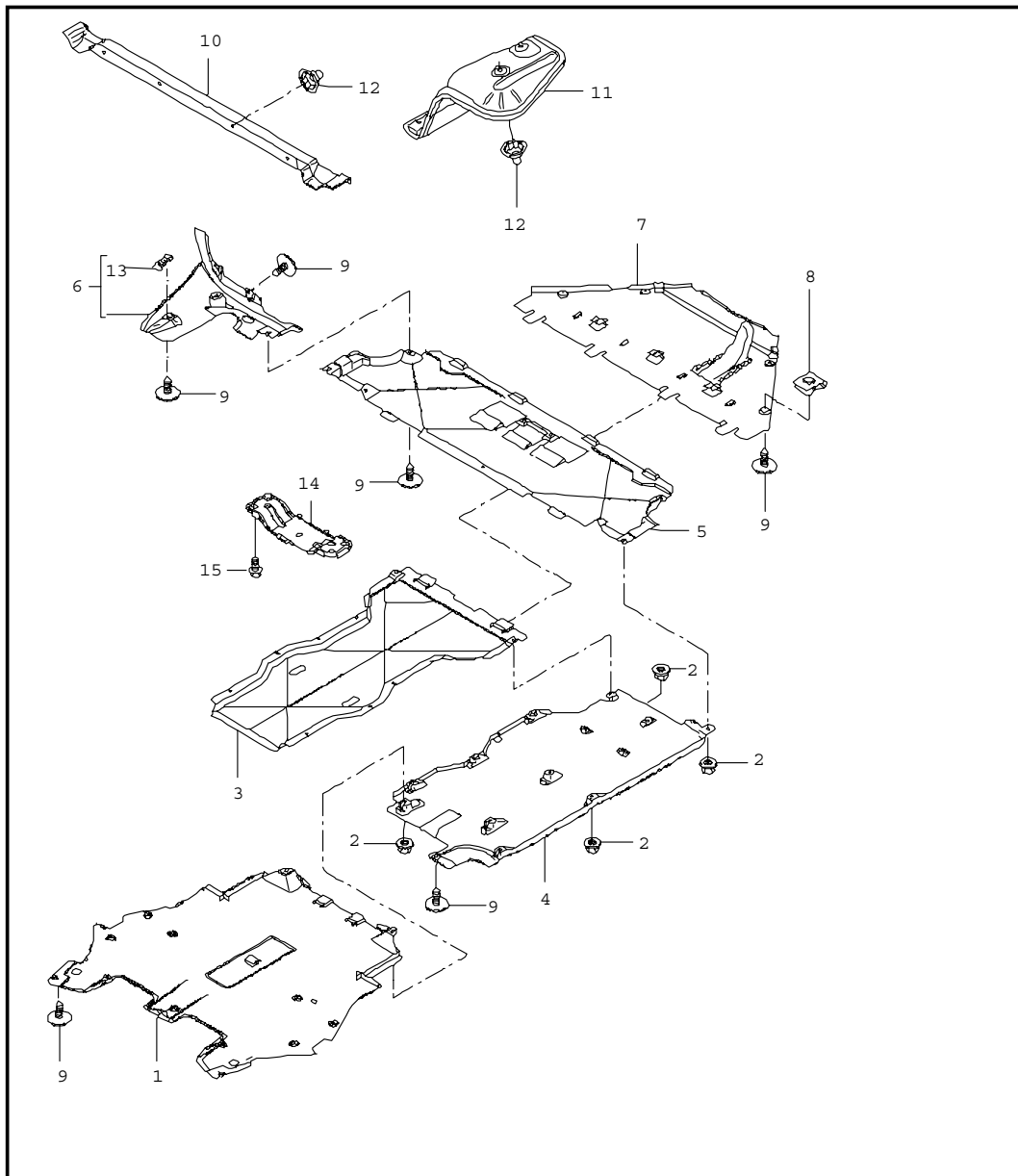


Pos	Part Number	Name	Remarks	Qty	Model
		side section outer			CABRIO
1	997 503 961 01	side section	/L	1	
	GRV	prime coated			
(1)	997 503 962 01	side section	/R	1	
	GRV	prime coated			
(1)	997 503 961 03	side section	/L 06-	1	C4
	GRV	prime coated			
(1)	997 503 962 03	side section	/R 06-	1	C4
	GRV	prime coated			
		use also:			
-	999 915 650 40	adhesive TEROMIX 6700		X	
-	000 043 300 48	tool see technical manual group 5 53 55 55		X	
2	997 503 963 01	door sill	/L	1	
	GRV	prime coated			
(2)	997 503 964 01	door sill	/R	1	
	GRV	prime coated			
(2)	997 503 963 03	door sill	/L 06-	1	C4
	GRV	prime coated			
(2)	997 503 964 03	door sill	/R 06-	1	C4
	GRV	prime coated			
3	997 502 365 01	sealing channel	/L	1	
	GRV	prime coated			
(3)	997 502 366 01	sealing channel	/R	1	
	GRV	prime coated			
4	997 502 461 00	frame for light	/L	1	
	GRV	prime coated			
(4)	997 502 462 00	frame for light	/R	1	

Model	Year	MG	SG	Illustration	Restrictions	Update	13:28	17.11.2005	PORSCHE	PET	PORSCHE
997	06	8	01	801-65		194					

Pos	Part Number	Name	Remarks	Qty	Model	Pos	Part Number	Name	Remarks	Qty	Model
		GRV prime coated									
5	997 502 213 00	bracket	/L	1							
		GRV prime coated									
(5)	997 502 214 00	bracket	/R	1							
		GRV prime coated									
6	997 504 631 00	protective film		2							
7	997 504 907 00	seal	/L	1							
(7)	997 504 908 00	seal	/R	1							
		it is necessary to rework see workshop manual									
8	996 537 237 00	protective film		2							
9	997 501 487 00	reinforcement	/L	1							
		GRV prime coated									
(9)	997 501 488 00	reinforcement	/R	1							
		GRV prime coated									
10	997 572 311 00	water protection	/L	1							
(10)	997 572 312 00	water protection	/R	1							
11	999 703 475 40	drain tube door sill		2							
12	997 504 967 00	water drip pan	/L	1							
(12)	997 504 968 00	water drip pan	/R	1							
		use also:									
13	986 514 241 00	water drain hose		2							
		see technical manual 53 55									
		- - - E N D - - -									

Model	Year	MG	SG	Illustration	Restrictions	Update	13:28	17.11.2005	PORSCHE	PET	PORSCHE
997	06	8	01	801-70		194					

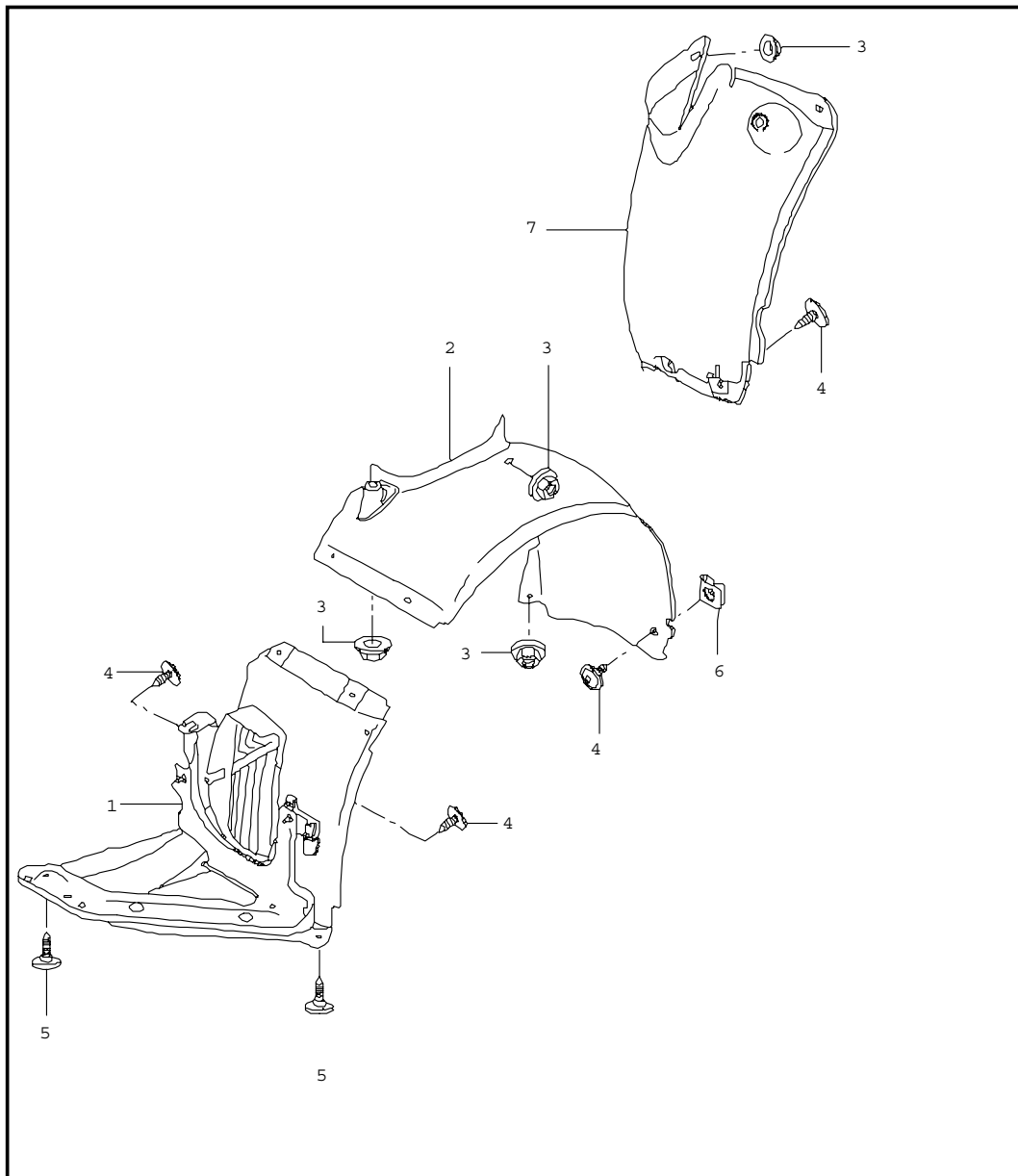


Pos	Part Number	Name	Remarks	Qty	Model
		linings underbody			
1	997 504 527 02	cover		1	C2
(1)	997 504 527 01	cover front		1	C4
2	999 049 028 40	plastic nut T 5		26	
3	997 504 043 00	cover centre		1	
4	997 504 343 00	cover centre	/L	1	
(4)	997 504 344 00	cover centre	/R	1	
5	997 504 629 00	cover rear		1	I480
(5)	997 504 629 01	cover rear		1	I249
6	997 504 393 00	cover	/L	1	
	01C	satin black			
(6)	997 504 394 00	cover	/R	1	
	01C	satin black			
7	997 504 429 00	cover transmission		1	I480
8	999 507 795 09	speed nut ST 4,8		4	
9	999 073 231 09	tapping screw ST 4,8 X 16		X	
10	996 505 471 00	heat protection centre		1	
11	997 505 477 00	heat protection	/L	1	
(11)	997 505 478 00	heat protection	/R	1	
12	999 049 025 09	collar nut T 5		12	
13	997 504 635 00	clamp		2	
14	997 504 823 01	strut tunnel		1	

Model	Year	MG	SG	Illustration	Restrictions	Update					
997	06	8	01	801-70		194	13:28	17.11.2005	PORSCHE	PET	PORSCHE

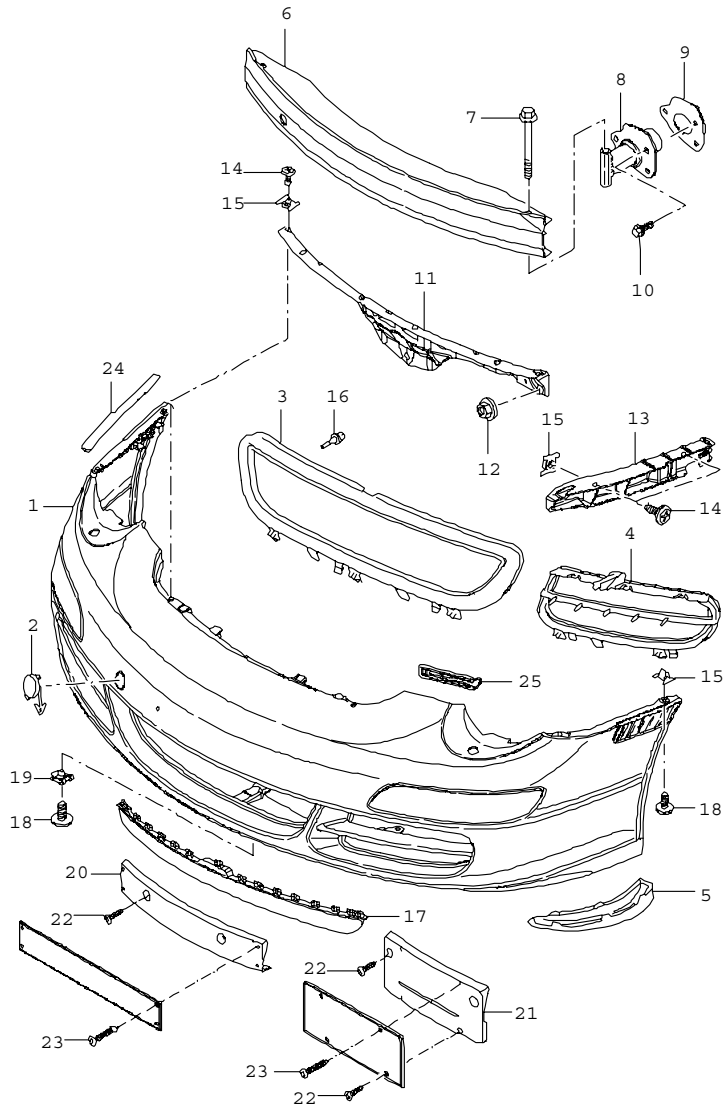
Pos	Part Number	Name	Remarks	Qty	Model	Pos	Part Number	Name	Remarks	Qty	Model
15	900 075 475 09	screw M 10 x 25  - - - E N D - - -		4							

Model	Year	MG	SG	Illustration	Restrictions	Update	13:28	17.11.2005	PORSCHE	PET	PORSCHE
997	06	8	01	801-75		194					



Pos	Part Number	Name	Remarks	Qty	Model
		linings wheel housing			
1	997 504 123 00	wheel-housing liner front	/L/V	1	
(1)	997 504 124 00	wheel-housing liner front	/R/V	1	
2	997 504 203 00	wheel-housing liner front	/L/H	1	C2
(2)	997 504 204 00	wheel-housing liner front	/R/H	1	C2
3	999 049 028 40	plastic nut T5		12	
4	999 073 231 09	tapping screw ST 4,8 X 16		18	
5	999 073 227 09	tapping screw ST 4,8 X 19		4	
6	999 507 795 09	speed nut ST 4,8		2	
7	997 504 573 00	wheel-housing liner	/H/L	1	
(7)	997 504 574 00	wheel-housing liner	/H/R	1	
		- - - E N D - - -			

Model	Year	MG	SG	Illustration	Restrictions	Update	13:28	17.11.2005	PORSCHE	PET	PORSCHE
997	06	8	02	802-00		194					

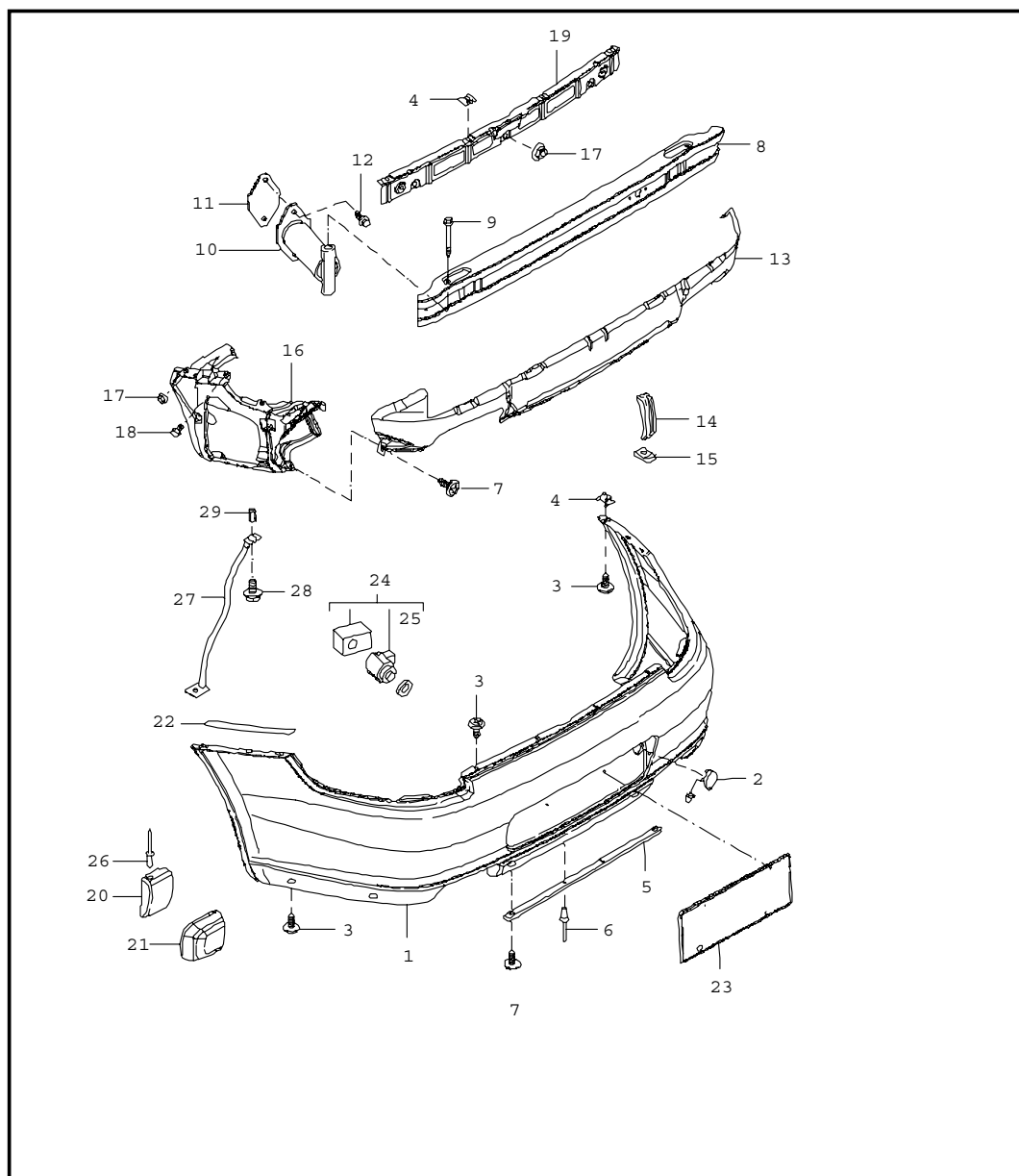


Pos	Part Number	Name	Remarks	Qty	Model
1	997 505 901 00	bumper front		1	I480
	G2X	prime coated			
(1)	997 505 901 01	lining		1	I288/480
	G2X	prime coated			
(1)	997 505 901 02	lining		1	I249
	G2X	prime coated			
(1)	997 505 901 03	lining		1	I249/288
	G2X	prime coated			
(1)	997 505 961 00	lining		1	IXAA
(1)	997 505 961 01	lining		1	IXAA/288
2	997 505 703 00	cap		1	
	G2X	prime coated			
3	997 505 541 00	retaining frame		1	I480
	01C	satin black centre			
(3)	997 505 541 01	retaining frame		1	I249
	01C	satin black centre			
4	997 505 563 00	retaining frame	/L	1	
	01C	satin black			
(4)	997 505 564 00	retaining frame	/R	1	
	01C	satin black			
5	997 505 525 00	cover	/L	1	
	01C	satin black			
(5)	997 505 526 00	cover	/R	1	
	01C	satin black			
6	997 505 141 00	bumper reinforcement		1	
7	900 378 088 09	hexagon-head bolt M 12 X 100		2	

Model	Year	MG	SG	Illustration	Restrictions	Update	13:28	17.11.2005	PORSCHE	PET	PORSCHE
997	06	8	02	802-00		194					

Pos	Part Number	Name	Remarks	Qty	Model	Pos	Part Number	Name	Remarks	Qty	Model
8	997 505 319 00	impact absorber		2							
9	997 505 751 02	seal impact absorber		2							
10	900 378 267 09	hexagon-head bolt M 8 X 30		6							
11	997 505 531 00	retaining strip centre		1							
12	999 076 078 09	hexagon nut M 6		3							
13	997 505 535 00	retaining strip	/L	1							
(13)	997 505 536 00	retaining strip	/R	1							
14	999 073 314 09	tapping screw ST 4,8 X 16		4							
15	999 507 590 02	speed nut ST 4,8		9							
16	996 641 142 00	temperature sensor		1							
17	997 505 557 00	spoiler		1							
	01C	satin black									
18	999 073 227 09	tapping screw ST 4,8 X 19		10							
19	999 591 699 02	speed nut ST 4,8		1							
21	997 701 107 00	support number plate		1	I218						
	01C	black									
22	999 919 227 A2	screw 5,0 X 13		4	I 218						
23	999 919 228 A2	screw 5,0 x 28		2							
(24)	997 504 531 00	protective film	/V/L	1							
24	997 504 532 00	protective film	/V/R	1							
25	997 505 719 00	fixing device		2							
		- - - E N D - - -									

Model	Year	MG	SG	Illustration	Restrictions	Update	13:29	17.11.2005	PORSCHE	PET	PORSCHE
997	06	8	02	802-05		194					

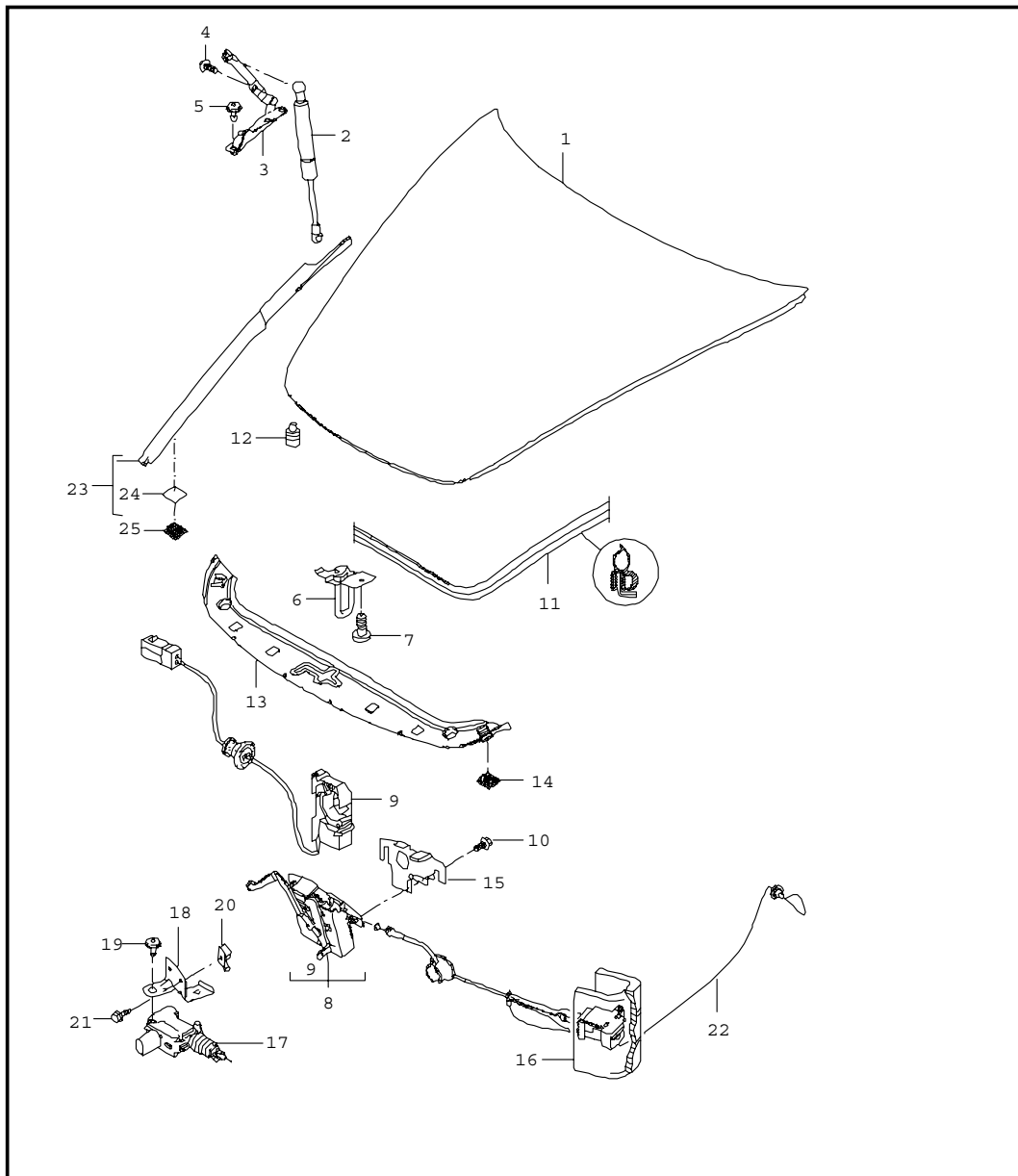


Pos	Part Number	Name	Remarks	Qty	Model
(1)	997 505 411 01	bumper rear		1	
		lining			
		G2X prime coated			
(1)	997 505 911 01	lining		1	I635
		G2X prime coated			
(1)	997 505 911 03	lining		1	C4/C4S
		G2X prime coated			
2	997 505 803 00	cap		1	
		G2X prime coated			
3	999 073 227 09	tapping screw 4,8 X 16		10	
4	999 507 590 02	speed nut ST 4,8		6	
5	997 505 837 00	retaining strip		1	
6	999 190 104 30	blind rivet 3,2 X 7,9		2	
7	999 073 314 09	tapping screw ST 4,8 X 16		4	
(8)	997 505 121 01	bumper reinforcement		1	I553
9	900 378 088 09	hexagon-head bolt M 12 X 100		2	
(10)	996 505 015 00	impact absorber		2	I113
(11)	996 505 775 01	seal impact absorber		2	I113
12	900 378 267 09	hexagon-head bolt M 8 X 30		4	
13	997 505 475 00	heat protection centre		1	
14	997 505 639 00	rear support		2	
15	999 507 795 09	speed nut		4	
16	997 505 631 00	retaining frame	/L	1	
(16)	997 505 632 00	retaining frame	/R	1	

Model	Year	MG	SG	Illustration	Restrictions	Update	13:29	17.11.2005	PORSCHE	PET	PORSCHE
997	06	8	02	802-05		194					

Pos	Part Number	Name	Remarks	Qty	Model	Pos	Part Number	Name	Remarks	Qty	Model
17	999 076 078 09	hexagon nut M 6		X				- - - E N D - - -			
18	900 075 459 09	hexagon-head bolt M 6 X 12		2							
19	997 505 641 00	retaining strip centre		1							
20	997 505 845 00	buffer	/L	1	I553						
(20)	997 505 846 00	buffer	/R	1	I553						
21	997 505 625 00	lining buffer	/L	1	I553						
	G2X	prime coated									
(21)	997 505 626 00	lining buffer	/R	1	I553						
	G2X	prime coated									
22	997 504 631 00	protective film		2							
23	997 701 113 00	support number plate		1	I218						
	01C	black									
-	999 919 228 A2	tapping screw support number plate 5 X 28		X							
-	999 919 227 A2	tapping screw support number plate 5 X 13		X							
24	955 606 275 01	sensor park distance control		4	I635						
25	7L6 919 659	sealing ring		4	I635						
26	999 591 712 40	expansion rivet buffer		6							
27	997 505 681 00	strut	/L	1							
(27)	997 505 682 00	strut	/R	1							
28	900 378 035 09	hexagon-head bolt M6 X 16		2							
29	999 500 084 02	blind rivet nut M6 / 0,5 - 3		2							

Model	Year	MG	SG	Illustration	Restrictions	Update	13:29	17.11.2005	PORSCHE	PET	PORSCHE
997	06	8	03	803-00		194					

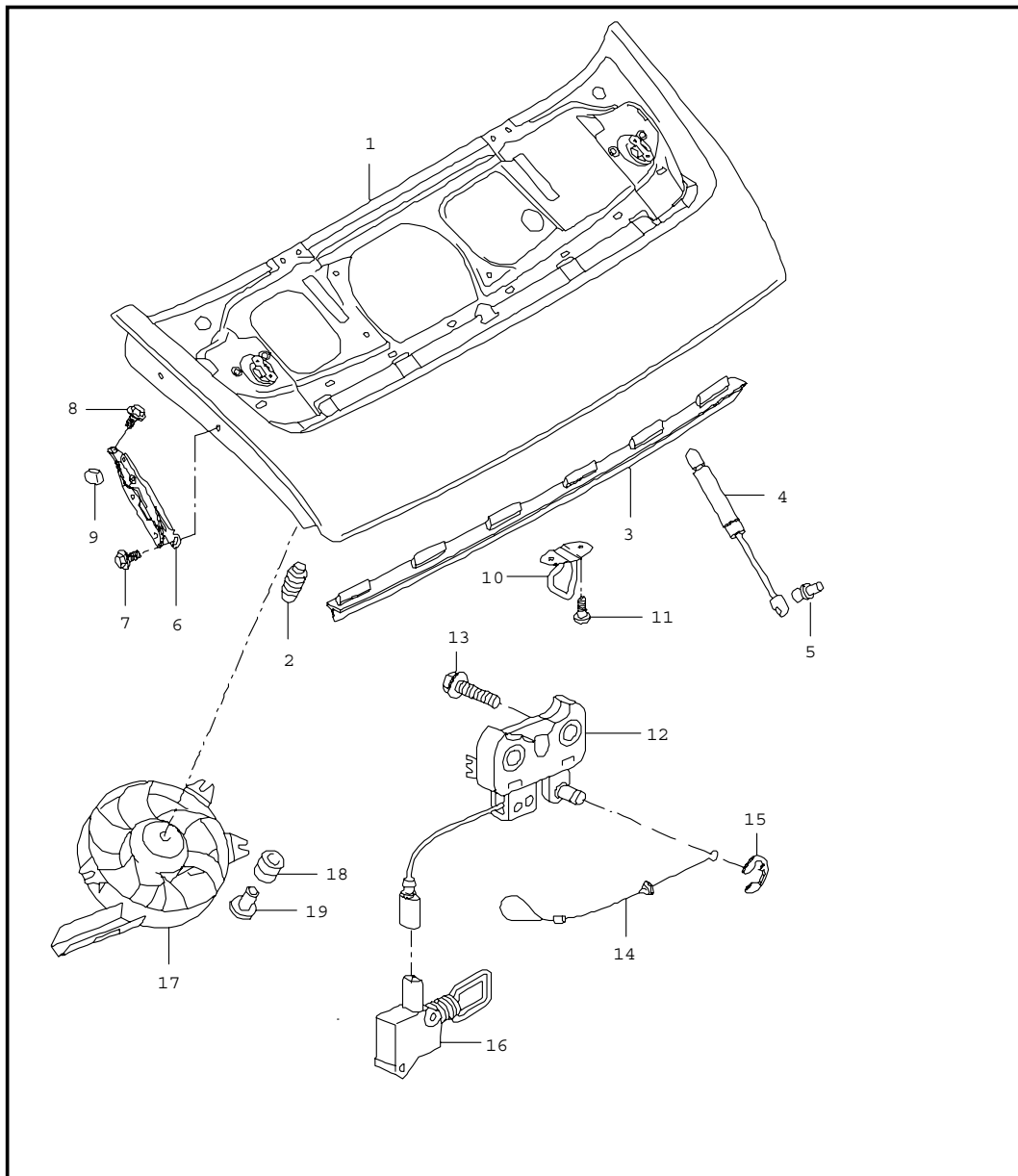


Pos	Part Number	Name	Remarks	Qty	Model
		cover front			
1	997 511 011 00	cover		1	
		GRV prime coated			
2	997 511 551 01	gas-filled strut		2	
3	997 511 151 00	hinge	/L	1	
(3)	997 511 152 00	hinge	/R	1	
4	999 073 357 09	oval-head screw M 6 X 12		4	
5	999 073 348 09	oval-head screw M 6 X 20		4	
6	997 511 051 00	lock upper part		1	
7	999 073 350 04	round head screw M 6 X 16		2	
8	997 511 053 00	lock lower part		1	
9	997 613 206 00	microswitch		1	
10	900 075 466 09	screw M 6 X 16		2	
11	997 511 611 00	gasket		1	
12	999 703 140 40	buffer		2	
13	997 504 811 02	trim		1	
		FMT satin black			
14	999 902 052 40	velcro fastener		4	
15	996 511 653 00	cover		1	
16	997 511 117 00	actuator		1	
17	996 624 119 01	actuator emergency operation		1	I553
18	A 997 511 489 00	bracket actuator		1	I553
18	997 511 489 01	bracket actuator		1	I553
19	999 919 188 09	oval-head screw 5,0 X 30		2	I553

Model	Year	MG	SG	Illustration	Restrictions	Update	13:29	17.11.2005	PORSCHE	PET	PORSCHE
997	06	8	03	803-00		194					

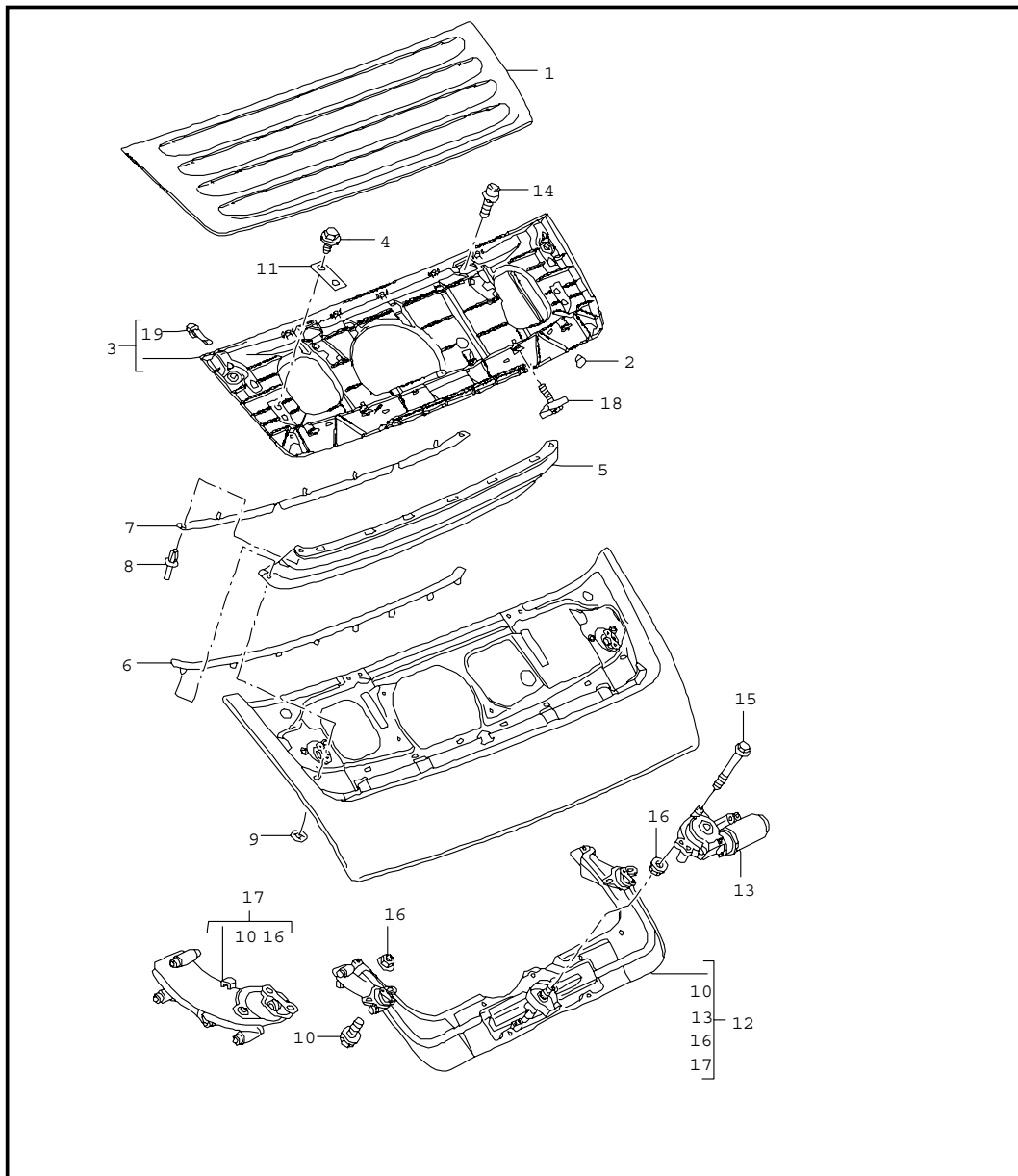
Pos	Part Number	Name	Remarks	Qty	Model	Pos	Part Number	Name	Remarks	Qty	Model
20	999 591 882 02	speed nut M 6		2	I553						
21	900 378 271 09	hexagon-head bolt M 6 X 16		2	I553						
22	997 511 085 00	cable luggage compartment		1							
(23)	997 572 465 02	cover	/L	1							
	02A	black									
23	997 572 466 02	cover wing	/R	1							
	02A	black									
24	999 902 052 40	velcro fastener cover 20 X 20		4							
25	999 902 051 40	velcro fastener wing 20 X 20		4							
		- - - E N D - - -									

Model	Year	MG	SG	Illustration	Restrictions	Update	13:29	17.11.2005	PORSCHE	PET	PORSCHE
997	06	8	03	803-05		194					



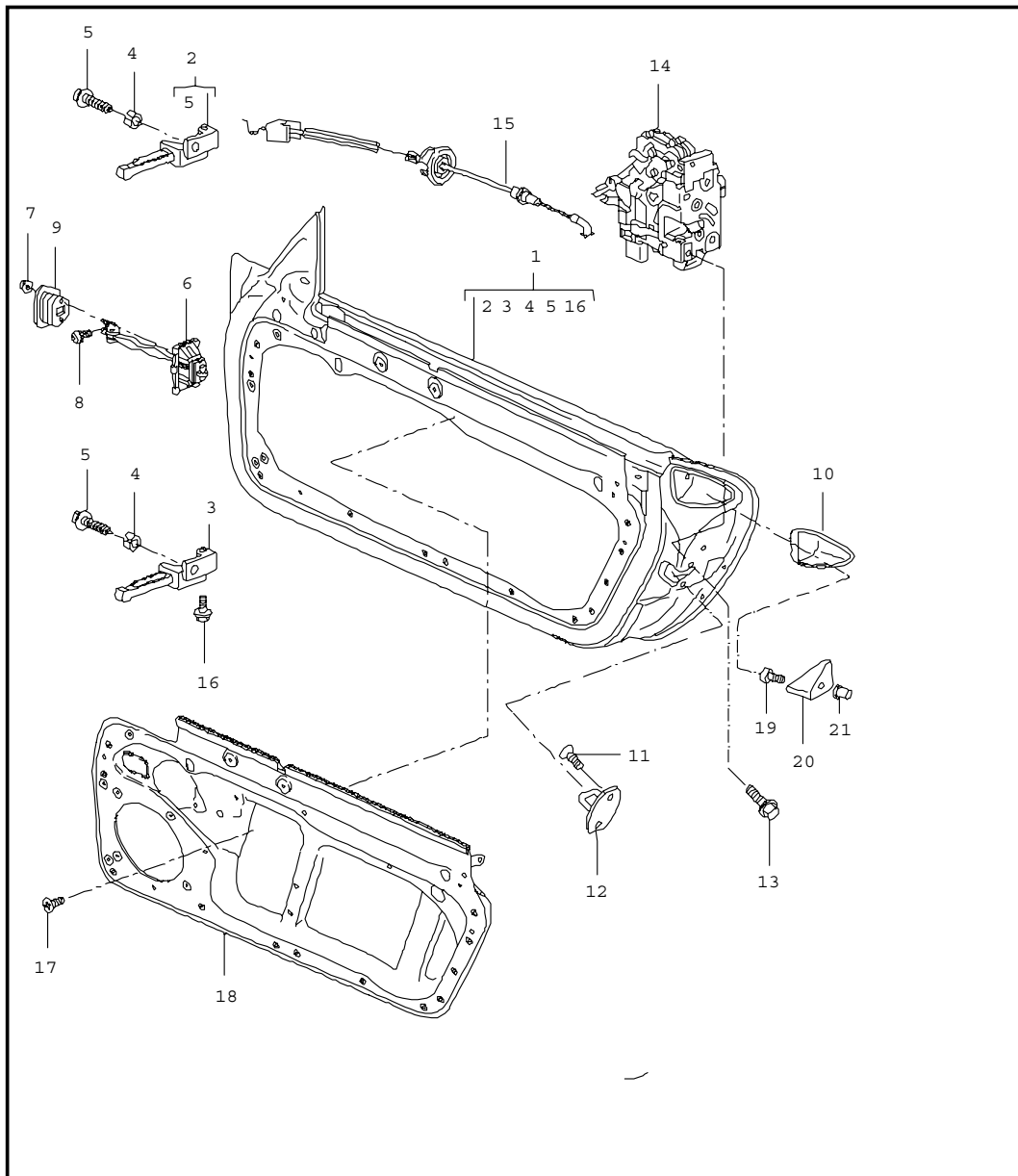
Pos	Part Number	Name	Remarks	Qty	Model
1	997 512 011 00	cover rear		1	
	GRV	prime coated			
		use also:			
-	000 043 204 38	sealing material		1	
2	999 703 140 40	buffer		2	
3	997 512 611 00	gasket		1	
4	997 512 551 00	gas-filled strut	/R	1	
5	999 167 051 02	ball pin		2	
6	997 512 151 00	hinge	/L	1	
(6)	997 512 152 00	hinge	/R	1	
7	900 378 155 09	hexagon-head bolt M 6 X 16		4	
8	900 075 466 09	screw M 6 X 16		6	
9	996 512 153 00	stop hinge		2	
10	997 512 213 01	lock upper part		1	
11	999 073 248 09	screw M 6 X 16		2	
12	997 512 053 00	lock lower part		1	
13	900 075 458 02	screw M 6 X 40		2	
14	997 512 521 00	cable emergency operation		1	
15	900 116 002 02	lock washer		1	
16	997 624 118 00	actuator		1	
17	997 624 046 00	fan		1	
18	999 703 451 40	rubber sleeve		3	
19	999 209 049 02	spacer sleeve		3	
		- - - E N D - - -			

Model	Year	MG	SG	Illustration	Restrictions	Update	13:29	17.11.2005	PORSCHE	PET	PORSCHE
997	06	8	03	803-07		194					



Pos	Part Number	Name	Remarks	Qty	Model
1	997 512 241 00	rear spoiler		1	
	G2X	spoiler			
		prime coated upper part			
2	996 512 212 00	plug		4	
3	997 512 205 00	spoiler		1	
(3)	997 512 205 01	spoiler lower part		1	
-	999 703 488 40	buffer		2	
		5,9 X 11,5 X 16			
4	900 075 490 09	hexagon-head bolt		4	
		M 6 X 8			
5	996 512 250 00	rear wall		1	
6	996 512 163 00	rail lower		1	
7	996 512 164 00	rail upper		1	
8	999 591 712 40	expansion rivet		2	
		6,0 X 12,0			
9	999 591 974 07	clamping washer		8	
		5,0			
10	900 067 378 09	pan-head screw		10	
		M 6 X 20			
11	996 512 757 00	desk pad		2	
(12)	997 512 109 01	driving mechanism		1	COUPE
(12)	997 512 109 03	driving mechanism		1	CABRIO
13	996 624 151 00	electric motor		1	
14	900 067 273 09	pan-head screw		4	
		M 6 X 16			
15	900 074 364 02	screw		3	
		M 5 X 55			
16	900 377 009 02	hexagon nut		32	
17	997 512 911 00	hinge		1	
18	997 512 255 00	support		4	
- - - E N D - - -					

Model	Year	MG	SG	Illustration	Restrictions	Update	13:30	17.11.2005	PORSCHE	PET	PORSCHE
997	06	8	04	804-00		194					

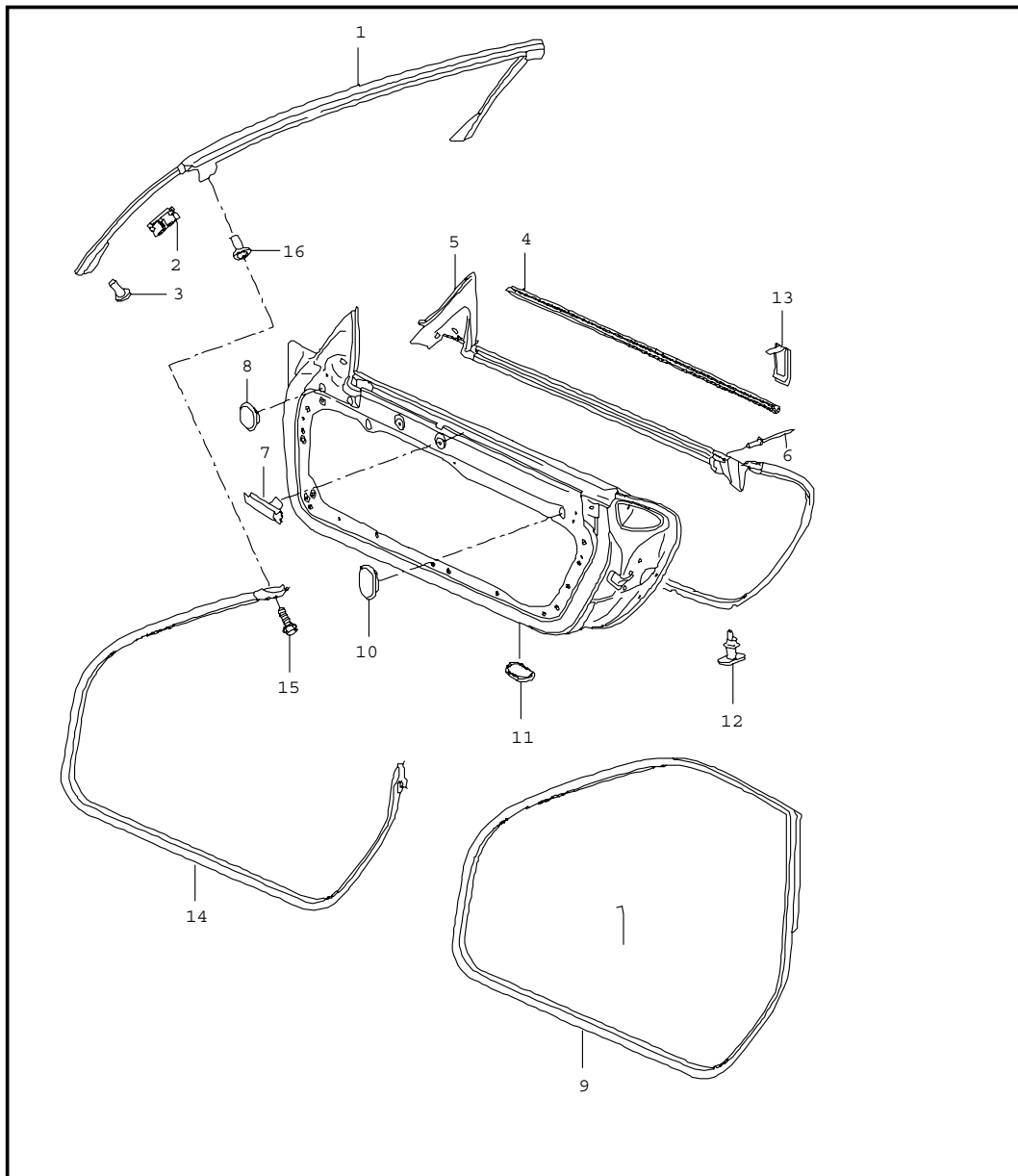


Pos	Part Number	Name	Remarks	Qty	Model
		door in white installation parts door lock			
(1)	997 531 011 02	door in white	/L	1	
		GRV prime coated			
1	997 531 012 02	door in white	/R	1	
		GRV prime coated			
		use also:			
-	000 043 204 38	sealing material		1	
(2)	997 531 321 00	hinge	/L	1	
2	997 531 322 00	hinge upper	/R	1	
(3)	997 531 319 00	hinge	/L	1	
3	997 531 320 00	hinge lower	/R	1	
4	996 531 831 00	sleeve		4	
5	999 067 022 02	screw M 8 X 20		2	
6	997 537 151 01	door arrester		2	
7	999 084 212 02	nut M 6		4	
8	999 073 138 09	screw M 8 X 25		2	
9	996 537 751 00	seal		2	
(10)	997 537 331 00	support	/L	1	
		01C satin black			
10	997 537 332 00	support	/R	1	
		01C satin black			
11	N 910 174 01	countersunk-head screw M 8 X 22		4	
12	3B0 837 033 P	end plate		2	
13	WHT 000 439	screw M 8 X 20		2	
(14)	3D1 837 015	door lock	/LL/L	1	I098

Model	Year	MG	SG	Illustration	Restrictions	Update	13:30	17.11.2005	PORSCHE	PET	PORSCHE
997	06	8	04	804-00		194					

Pos	Part Number	Name	Remarks	Qty	Model	Pos	Part Number	Name	Remarks	Qty	Model
14	3D1 837 016	door lock	/LL/R	1	I098						
(14)	3D1 837 015 C	door lock	/L	1	I072						
(14)	3D1 837 016 C	door lock	/R	1	I072						
(14)	3D1 837 015 C	door lock	/L	1	I553						
(14)	3D1 837 016 C	door lock	/R	1	I553						
15	997 537 319 01	bowden cable		2							
16	999 072 043 09	hexagon-head bolt M 6 X 12 micro-self-locking		2							
17	999 073 333 09	oval-head screw M 6 X 16		8							
(18)	997 537 201 00	door panel	/L	1							
18	997 537 202 00	door panel inner	/R	1							
19	900 119 072 00	pan-head screw M8 X 16		2							
(20)	997 537 333 00	support	/L	1							
	G2X	prime coated									
20	997 537 334 00	support side section	/R	1							
	G2X	prime coated									
21	999 500 121 02	blind rivet nut M8 / 0,8 - 3		2							
		- - - E N D - - -									

Model	Year	MG	SG	Illustration	Restrictions	Update	13:30	17.11.2005	PORSCHE	PET	PORSCHE
997	06	8	04	804-10		194					

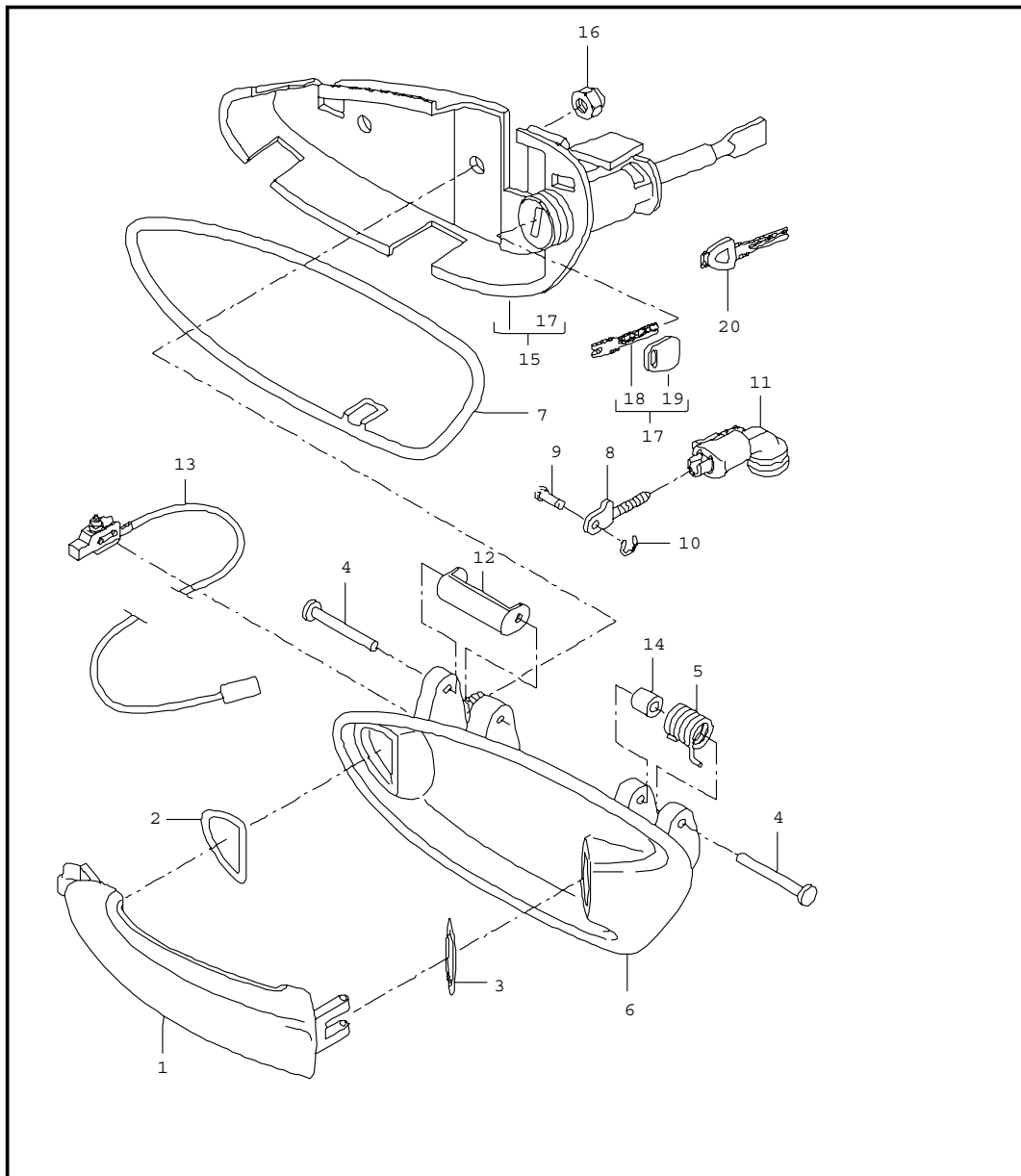


Pos	Part Number	Name	Remarks	Qty	Model
		door seal gasket windscreen			
1	997 537 077 01	gasket windscreen		1	CABRIO
2	999 507 678 01	u-clamp 4,0-4,5		1	CABRIO
3	999 190 445 37	rivet A 4,0 X 7,9		36	CABRIO
4	997 537 085 00	gasket outer	/L	1	
(4)	997 537 086 00	gasket outer	/R	1	
5	997 537 531 02	gasket inner	/L	1	
(5)	997 537 532 02	gasket inner	/R	1	
6	999 190 450 37	blind rivet		1	
7	997 537 495 00	rubber buffer		1	
8	803 803 583 A	cover 20,0 X 30,0		2	
(9)	997 537 075 00	gasket	/L	1	COUPE
9	997 537 076 00	gasket	/R	1	COUPE
10	999 703 541 40	cover 20 X 28 X 1		4	
11	999 703 542 40	cover 23,8 X 38,7		8	
12	999 507 578 40	clip gasket outer 5,0 X 3,7		36	
13	999 507 571 02	clamp		1	
14	997 537 075 01	gasket	/L	1	CABRIO
(14)	997 537 076 01	gasket	/R	1	CABRIO
15	900 075 362 02	screw M 5 X 16		2	CABRIO
16	999 500 093 02	blind rivet nut M 5/0 - 3		2	CABRIO

Model	Year	MG	SG	Illustration	Restrictions	Update					
997	06	8	04	804-10		194	13:30	17.11.2005	PORSCHE	PET	PORSCHE

Pos	Part Number	Name	Remarks	Qty	Model	Pos	Part Number	Name	Remarks	Qty	Model
		- - - E N D - - -									

Model	Year	MG	SG	Illustration	Restrictions	Update	13:30	17.11.2005	PORSCHE	PET	PORSCHE
997	06	8	04	804-20		194					

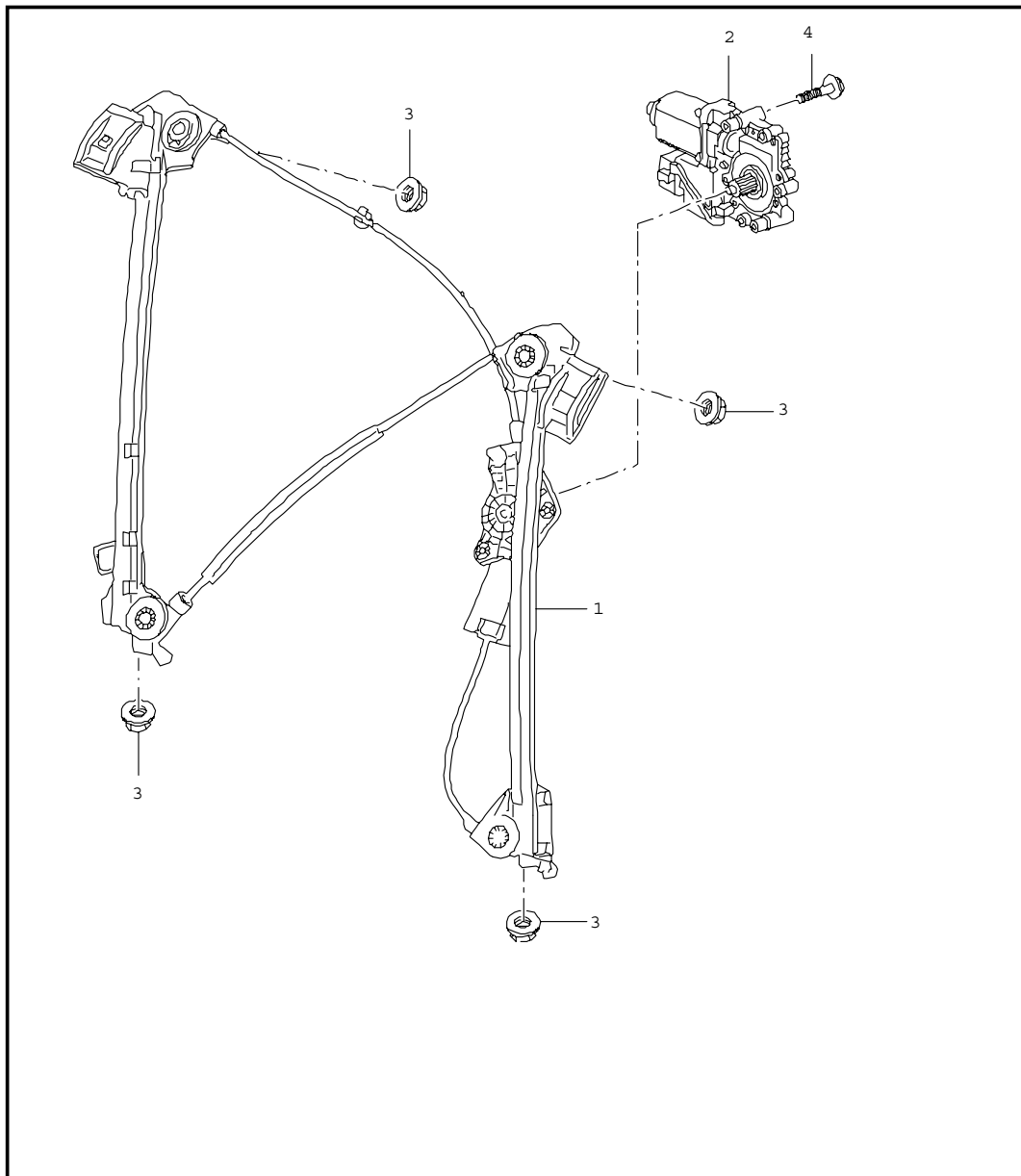


Pos	Part Number	Name	Remarks	Qty	Model
1	997 537 613 00	door handle		1	
	G2X	prime coated	/L		
(1)	997 537 614 00	handle	/R	1	
	G2X	prime coated			
2	997 537 623 00	buffer		2	
3	997 537 625 00	buffer		2	
4	997 537 621 00	axle		2	
5	997 537 611 00	return spring	/L	1	
(5)	997 537 612 00	return spring	/R	1	
6	997 537 645 00	handle liner	/LL/L	1	
	G2X	prime coated			
(6)	997 537 646 01	handle liner	/LL/R	1	
	G2X	prime coated			
7	997 537 637 00	desk pad	/L	1	
(7)	997 537 638 00	desk pad	/R	1	
8	997 537 627 00	control shaft		2	
9	997 537 629 00	bolt		2	
10	996 537 641 00	lock washer		2	
11	997 537 445 02	connecting piece		2	
12	997 537 653 00	eccentric	/L	1	
(12)	997 537 654 00	eccentric	/R	1	
13	997 613 125 00	microswitch power windows		2	
14	997 537 633 00	bush		2	
15	997 538 963 00	support with lock cylinder with stipulated lock-no.	/LL/L	1	
(15)	997 538 963 01	support with lock cylinder w/o stipulated lock number	/LL/L	1	

Model	Year	MG	SG	Illustration	Restrictions	Update					
997	06	8	04	804-20		194	13:30	17.11.2005	PORSCHE	PET	PORSCHE

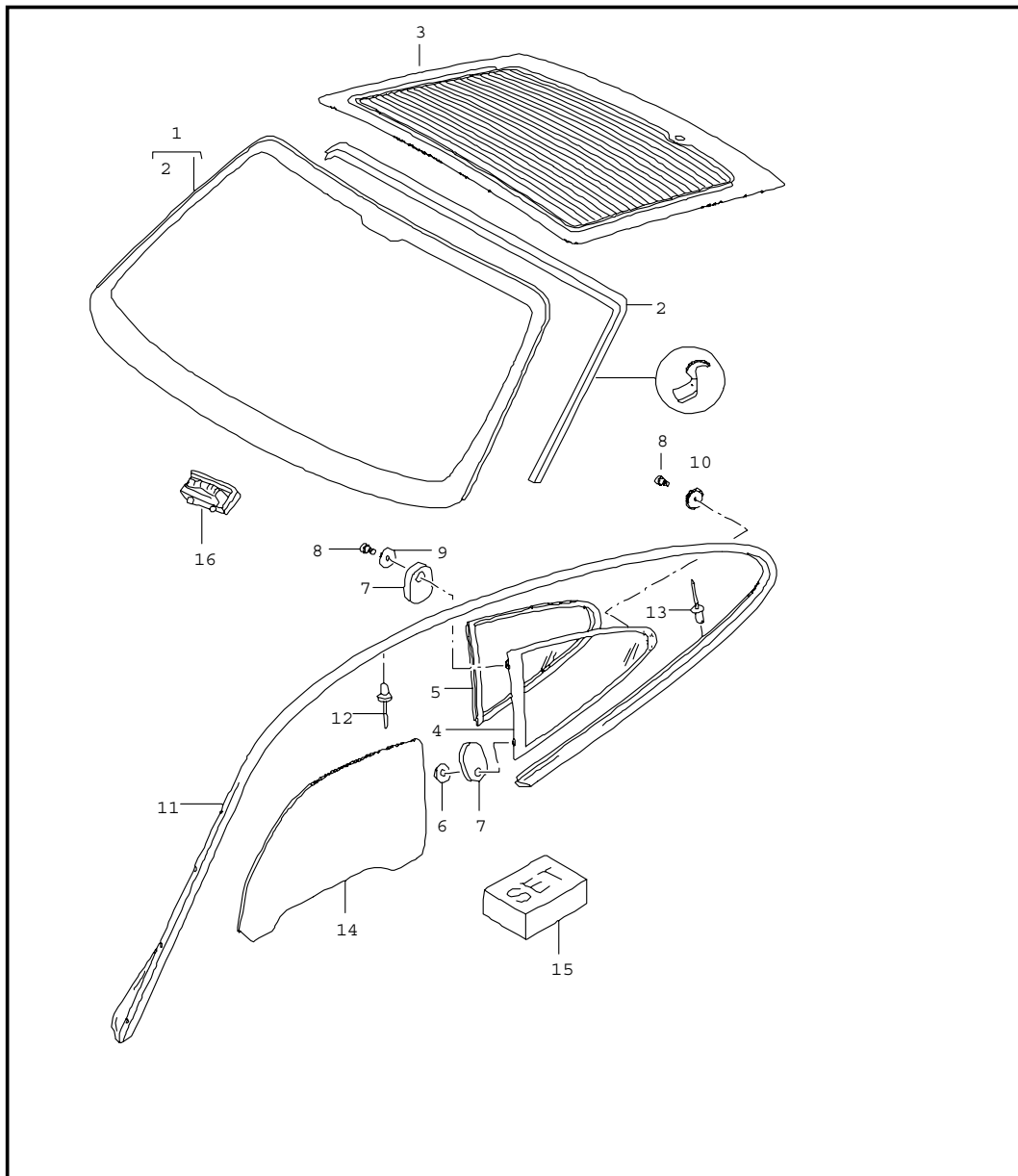
Pos	Part Number	Name	Remarks	Qty	Model	Pos	Part Number	Name	Remarks	Qty	Model
(15)	997 537 464 01	support without lock cylinder	/LL/R	1							
16	900 380 015 09	hexagon nut M 6		2							
17	997 538 931 00	replacement key with stipulated lock-no. state lock number		X							
18	997 538 531 00	blank key		X							
19	944 538 431 00	key cap		X							
20	955 538 916 00	emergency key with stipulated lock-no. state lock number		X							
20	955 538 216 00	emergency key w/o stipulated lock number		X							
		- - - E N D - - -									

Model	Year	MG	SG	Illustration	Restrictions	Update	13:30	17.11.2005	PORSCHE	PET	PORSCHE
997	06	8	04	804-30		194					



Pos	Part Number	Name	Remarks	Qty	Model
		power windows			
1	997 542 075 00	power windows	/L	1	
(1)	997 542 076 00	power windows	/R	1	
		FA. BROSE			
2	997 624 101 05	electric motor	/LL/L-05	1	COUPE
(2)	997 624 104 05	electric motor	/LL/R-05	1	COUPE
(2)	997 624 105 07	electric motor	/LL/L-05	1	CABRIO
(2)	997 624 108 07	electric motor	/LL/R-05	1	CABRIO
3	900 380 015 09	nut M 6		4	
		FA.KUESTER			
(2)	997 624 181 02	electric motor	/LL/L06-	1	
(2)	997 624 182 02	electric motor	/LL/R06-	1	
4	999 919 209 09	oval-head screw M 5 X 22		3	
- - - E N D - - -					

Model	Year	MG	SG	Illustration	Restrictions	Update	13:31	17.11.2005	PORSCHE	PET	PORSCHE
997	06	8	05	805-00		194					

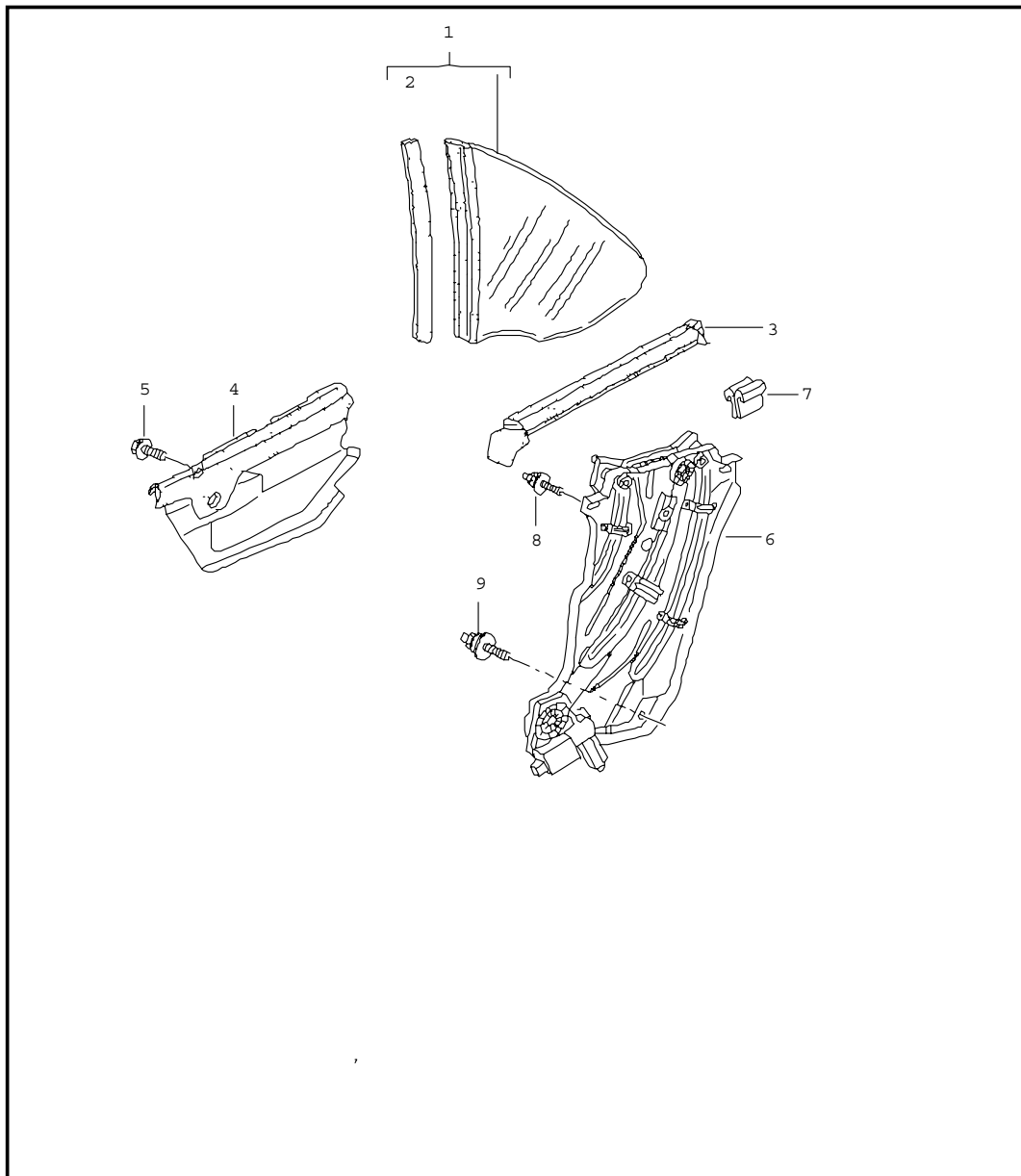


Pos	Part Number	Name	Remarks	Qty	Model
1	997 541 111 00	windows windscreen tinted		1	I440/568 COUPE
(1)	997 541 111 02	windscreen tinted		1	I440/568 CABRIO
(1)	997 541 111 01	windscreen tinted upper part: dark green		1	I440/567 COUPE
(1)	997 541 111 03	windscreen tinted upper part: dark green		1	I440/567 CABRIO
2	997 541 901 00	gasket windscreen rear window		1	COUPE
(2)	997 541 901 01	gasket windscreen		1	CABRIO
3	997 545 111 00	rear window		1	I426/COUPE
(3)	997 545 111 01	rear window		1	I425/COUPE
4	997 543 111 00	rear glass	/L	1	
(4)	997 543 112 00	rear glass	/R	1	
5	996 543 325 00	sealing frame	/L	1	
(5)	996 543 326 00	sealing frame rear glass	/R	1	
6	999 084 210 02	hexagon nut M 8		1	
7	996 543 611 02	gasket		2	
8	999 218 011 02	pan-head screw M 6 X 12		2	
9	999 025 270 02	washer 6,4 X 30 X 1,5		1	
10	996 543 625 00	sealing washer		1	
11	997 537 481 00	roof frame seal	/L	1	
(11)	997 537 482 00	roof frame seal	/R	1	
12	999 190 445 37	blind rivet 4,0 X 7,9		13	
13	999 190 450 37	blind rivet 4,0 X 6,3		7	

Model	Year	MG	SG	Illustration	Restrictions	Update	13:31	17.11.2005	PORSCHE	PET	PORSCHE
997	06	8	05	805-00		194					

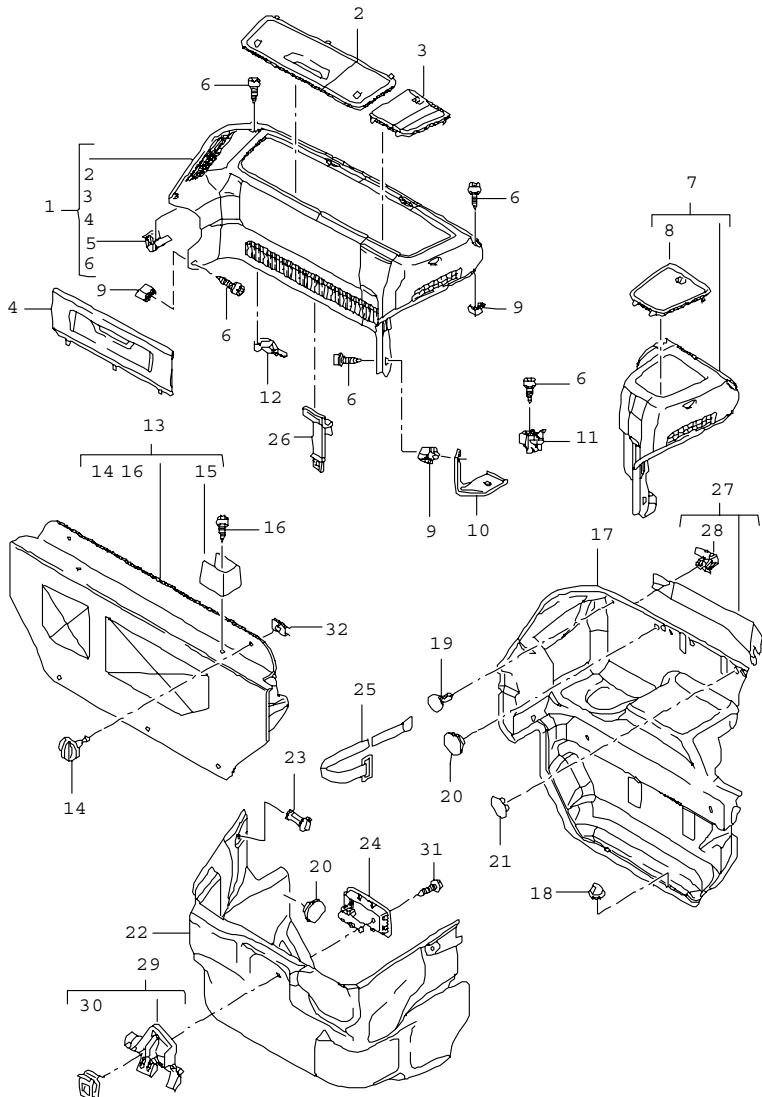
Pos	Part Number	Name	Remarks	Qty	Model	Pos	Part Number	Name	Remarks	Qty	Model
14	997 542 511 00	door glass	/L	1	COUPE						
(14)	997 542 512 00	door glass	/R	1	COUPE						
(14)	997 542 511 01	door glass	/L	1	CABRIO						
(14)	997 542 512 01	door glass	/R	1	CABRIO						
15	000 043 300 94	adhesive set TEROSTAT 8593		1							
16	999 507 576 41	support		2							
-	000 043 206 47	care set side window see technical manual		X							
		- - - E N D - - -									

Model	Year	MG	SG	Illustration	Restrictions	Update	13:31	17.11.2005	PORSCHE	PET	PORSCHE
997	06	8	05	805-05		194					



Pos	Part Number	Name	Remarks	Qty	Model
		rear glass			CABRIO
1	996 543 111 09	rear glass	/L	1	
(1)	996 543 112 09	rear glass	/R	1	
2	996 543 615 03	gasket	/L	1	
(2)	996 543 616 03	gasket	/R	1	
3	997 543 475 00	gasket outer	/L	1	
(3)	997 543 476 00	gasket outer	/R	1	
4	996 543 177 01	gasket inner	/L	1	
(4)	996 543 178 01	gasket inner	/R	1	
5	900 378 036 09	hexagon-head bolt M 6 X 12		4	
6	997 543 015 00	power windows Fa.Brose	/L -05	1	
6	997 543 015 01	power windows Fa.Kuester	/L 06-	1	
(6)	997 543 016 00	power windows Fa.Brose	/R -05	1	
(6)	997 543 016 01	power windows Fa.Kuester	/R 06-	1	
- - - E N D - - -					

Model	Year	MG	SG	Illustration	Restrictions	Update	13:31	17.11.2005	PORSCHE	PET	PORSCHE
997	06	8	07	807-00		194					



Pos	Part Number	Name	Remarks	Qty	Model
		luggage compartment			CARRERA 2
(1)	997 551 133 00	lining luggage compartment complete	/LL	1	I098/670
		02A black			
(1)	997 551 133 00	lining luggage compartment complete	/LL	1	I098/672
		02A black			
(1)	997 551 133 00	lining luggage compartment complete	/LL	1	I098/692
		02A black			
(1)	997 551 133 00	lining luggage compartment complete		1	I664
		02A black			
2	997 551 306 00	cover upper	/LL	1	I098/670
		02A black			
2	997 551 306 00	cover upper	/LL	1	I098/672
		02A black			
2	997 551 306 00	cover upper	/LL	1	I098/692
		02A black			
2	997 551 306 00	cover upper		1	I664
		02A black			
3	997 551 301 00	cover brake booster	/LL	1	I098/670
		02A black			
3	997 551 301 00	cover brake booster	/LL	1	I098/672
		02A black			
3	997 551 301 00	cover brake booster	/LL	1	I098/692

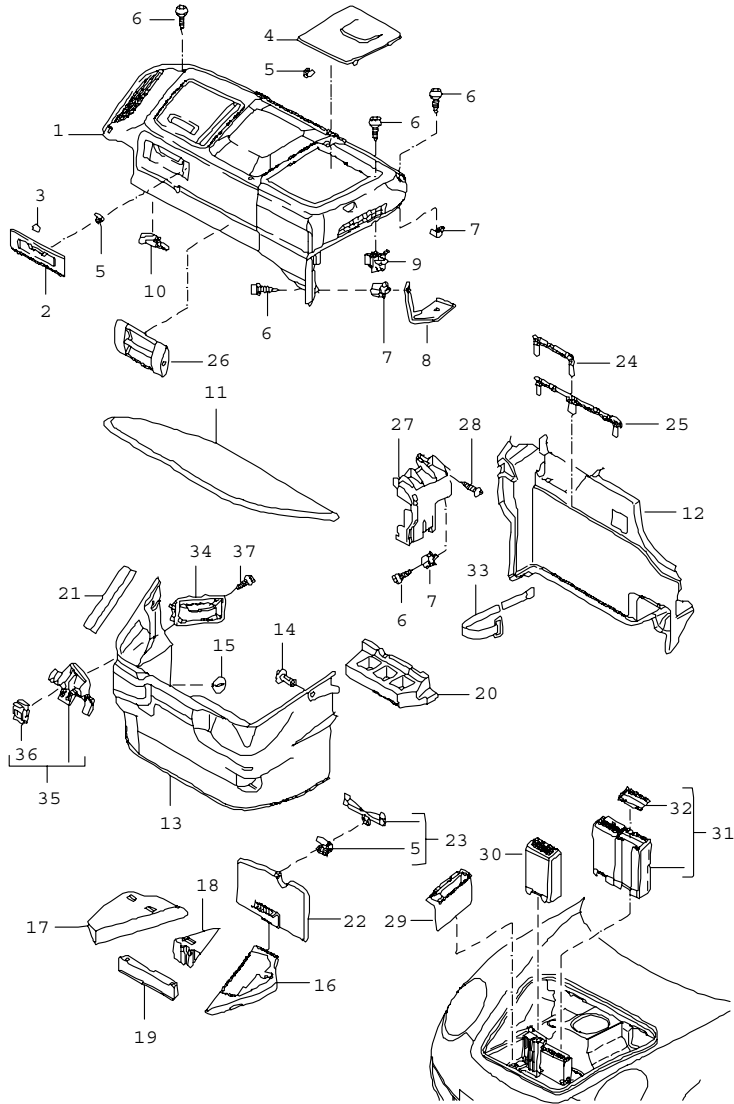
Model	Year	MG	SG	Illustration	Restrictions	Update	13:31	17.11.2005	PORSCHE	PET	PORSCHE
997	06	8	07	807-00		194					

Pos	Part Number	Name	Remarks	Qty	Model	Pos	Part Number	Name	Remarks	Qty	Model
3	997 551 301 00	02A black cover brake booster		1	I664	(13)	997 551 123 03	lining tool carpet		1	I553
4	997 551 308 00	02A black cover lower	/LL	1	I098/670	14	A31 997 551 803 00	black catch lining tool		2	
4	997 551 308 00	02A black cover lower	/LL	1	I098/672	17	997 551 051 06	lining F >>997S7 17066 F >>997S7 35240 bulkhead carpet	/LL	1	I098/476
4	997 551 308 00	02A black cover lower	/LL	1	I098/692	(17)	A31 997 551 051 08	black lining F >>997S7 17066 F >>997S7 35240 bulkhead carpet	/LL	1	I098/476/670
4	997 551 308 00	02A black cover lower		1	I664	(17)	A31 997 551 051 08	black lining F >>997S7 17066 F >>997S7 35240 bulkhead carpet	/LL	1	I098/476/692
5	999 507 735 02	02A black clamp 9 X 22/2,5		4							
6	999 073 049 02	tapping screw ST 3,5 X 16		X							
7	997 551 231 00	lining brake booster	/LL	1	I098	(17)	A31 997 551 051 10	black lining F >>997S7 17066 F >>997S7 35240 bulkhead carpet		1	I476/664
8	997 551 311 00	02A black cover brake booster	/LL	1	I098	(17)	A31 997 551 051 17	black lining valid from: F 997S7 17067>> F 997S7 35241>> luggage compartment bulkhead carpet		1	I476/664
9	999 507 734 40	02A black support ST 3,5		X							
10	997 551 771 01	support lining luggage compartment		1							
11	999 507 512 40	support ST 3,5		X							
12	997 551 772 01	support lining	-05	1		18	999 049 004 40	plastic nut T5 / 32 X 20		2	
(12)	997 551 772 02	support lining	06-	1		19	999 703 432 40	plug 8,2 X 18		2	

Model	Year	MG	SG	Illustration	Restrictions	Update	13:31	17.11.2005	PORSCHE	PET	PORSCHE
997	06	8	07	807-00		194					

Pos	Part Number	Name	Remarks	Qty	Model	Pos	Part Number	Name	Remarks	Qty	Model
20	999 703 455 41	cover 12,2 X 25		X		33	N 997 551 634 00	lining luggage compartment	/LL	1	I098/692
21	999 703 456 40	cap 49 X 26		1			FMU	black/black			
(22)	997 551 045 01	lining luggage compartment pan carpet valid up to: F >>995S7 17066 F >>995S7 35240  A31 black		1	I553	33	N 997 551 634 00	lining luggage compartment		1	I664
							FMU	black/black			
22	997 551 045 13	lining luggage compartment pan carpet valid from: F 995S7 17067>> F 995S7 35241>>  A31 black		1	I553	34	N 997 551 633 00	lining brake booster	/LL	1	I098/670
							FMU	black/black			
23	999 049 006 40	plastic nut T5 /30 X 7,5		2		34	N 997 551 633 00	lining brake booster	/LL	1	I098/672
							FMU	black/black			
24	996 504 087 00	emergency operation luggage compartment		1	I553	34	N 997 551 633 00	lining brake booster		1	I664
							FMU	black/black			
26	997 551 805 00	fastening clip bag wind deflector  01C satin black		1	CABRIO	35	P 999 507 795 09	speed nut 4,8		3	
						36	P 999 073 231 09	tapping screw 4,8 X 16		3	
29	997 551 706 00	support emergency operation		1	I553			- - - E N D - - -			
30	999 591 489 09	speed nut ST 4,8		1	I553						
31	999 073 061 02	tapping screw 4,8 X 16		1	I553						
32	999 590 055 09	clamp 10,7 X 11,5		2							
33	N 997 551 634 00	lining luggage compartment	/LL	1	I098/670						
	FMU	black/black									
33	N 997 551 634 00	lining luggage compartment	/LL	1	I098/672						
	FMU	black/black									

Model	Year	MG	SG	Illustration	Restrictions	Update	13:31	17.11.2005	PORSCHE	PET	PORSCHE
997	06	8	07	807-01		194					



Pos	Part Number	Name	Remarks	Qty	Model
		luggage compartment	06-		CARRERA 4
1	997 551 630 00	lining luggage compartment	/LL	1	I098
		FMU black/black			
2	997 551 304 00	cover lining lower	/LL	1	I098
		02A black			
3	997 551 817 00	support hinge	/LL	2	I098
4	997 551 309 00	cover brake booster	/LL	1	I098
		02A black			
5	999 507 552 01	spring clamp 9 X 13/3,0		X	
6	999 073 048 02	tapping screw ST 3,5 X 13		X	
7	999 507 734 40	support ST 3,5		X	
8	997 551 771 02	support lining luggage compartment		1	
9	999 507 512 40	support ST 3,5		X	
10	997 551 772 02	support lining		1	
(11)	997 551 351 01	cover tool carpet		1	I664/692
		A31 black			
(11)	997 551 351 02	cover tool carpet		1	I664
		A31 black			
(11)	997 551 351 03	cover tool carpet		1	I664/670/692
		A31 black			

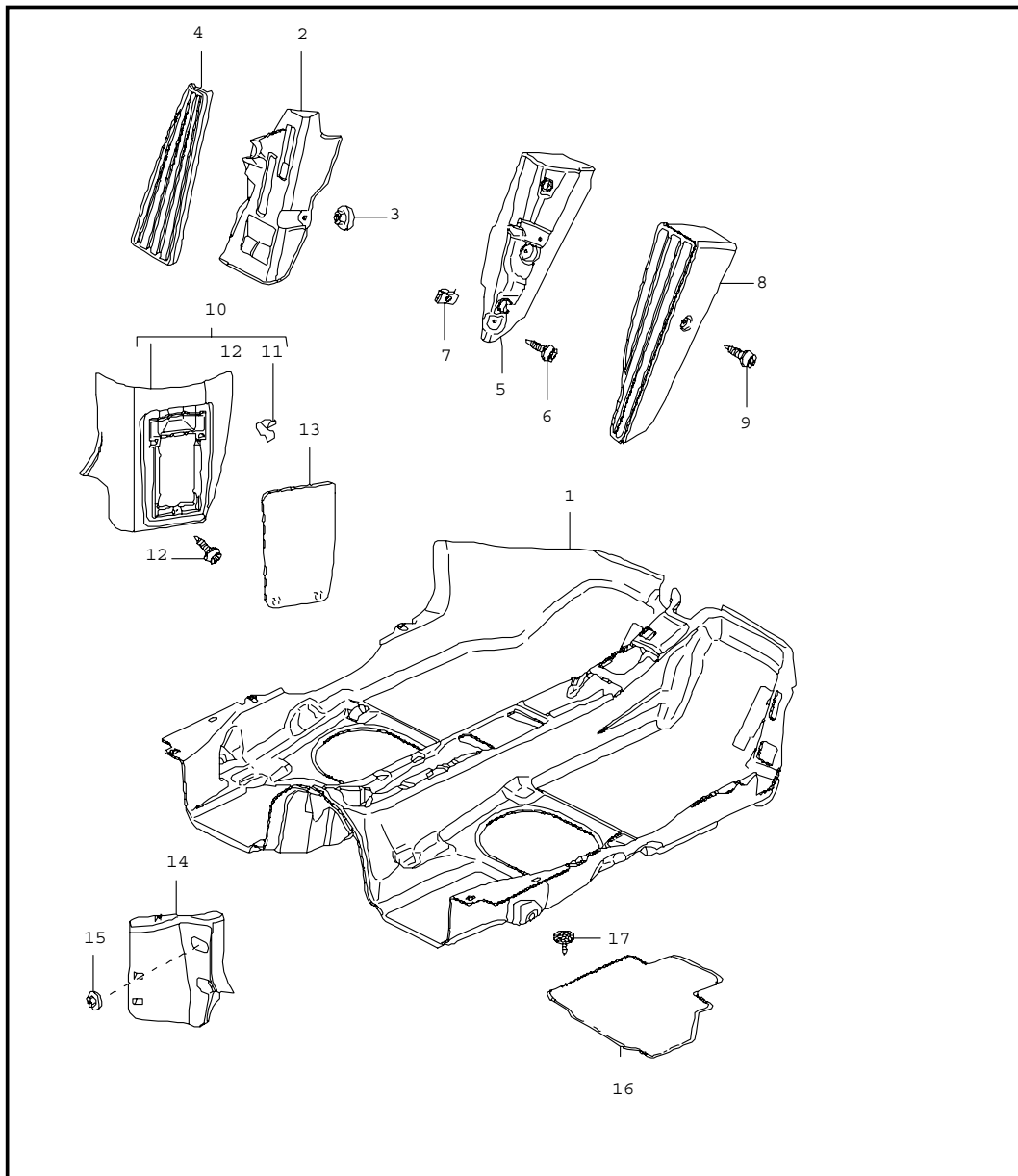
Model	Year	MG	SG	Illustration	Restrictions	Update	13:31	17.11.2005	PORSCHE	PET	PORSCHE
997	06	8	07	807-01		194					

Pos	Part Number	Name	Remarks	Qty	Model	Pos	Part Number	Name	Remarks	Qty	Model
(11)	997 551 351 05	cover tool carpet		1	I664/670	22	997 551 501 00	cover compressed air bottle	/LL	1	I098
	A31	black					A31	black			
(12)	997 551 051 20	lining bulkhead carpet		1	I476/664	23	997 551 415 00	adapter compressed air bottle		1	
	A31	black				24	997 551 702 00	adapter navigation system		1	I553/670
(12)	997 551 051 21	lining bulkhead carpet		1	I476/664/670	25	997 551 704 00	adapter booster		1	I553/680
	A31	black				26	997 551 805 01	eye luggage compartment front		1	
13	997 551 045 14	lining luggage compartment pan carpet	/LL	1	I098		02A	black			
	A31	black				27	997 551 736 01	cover control unit		1	
(13)	997 551 045 15	lining luggage compartment pan carpet		1	I553	28	999 073 061 02	tapping screw ST 4,8 X 16		X	
	A31	black				29	997 551 104 00	lining cd changer	/LL	1	I098/692
14	999 049 004 40	plastic nut T5 / 32 X 20		2			02A	black			
15	997 551 807 00	cap nut		1		30	997 551 108 00	lining booster		1	I664
(15)	999 703 455 41	cover		1	I490/680		02A	black			
16	997 551 401 00	foam part tool	/LL/L	1	I098	31	997 551 106 00	lining dvd		1	I664/670
17	997 551 408 00	foam part luggage compartment pan	/LL/R	1	I098		02A	black			
18	997 551 405 00	foam part compressor rear		1		32	997 551 811 00	cover lining dvd		1	I664/670
							02A	black			
19	997 551 403 00	foam part compressor front		1		34	997 504 087 00	emergency operation luggage compartment		1	I553
20	997 551 412 00	foam part bulkhead		1		35	997 551 706 00	support emergency operation luggage compartment		1	I553
21	997 551 414 00	foam part cd changer	/LL	1	I098/692	36	999 591 489 09	speed nut ST 4,8		1	I553

Model	Year	MG	SG	Illustration	Restrictions	Update					
997	06	8	07	807-01		194	13:31	17.11.2005	PORSCHE	PET	PORSCHE

Pos	Part Number	Name	Remarks	Qty	Model	Pos	Part Number	Name	Remarks	Qty	Model
37	999 073 061 02	tapping screw 4,8 X 16		1	I553						
		- - - E N D - - -									

Model	Year	MG	SG	Illustration	Restrictions	Update	13:31	17.11.2005	PORSCHE	PET	PORSCHE
997	06	8	07	807-02		194					



Pos	Part Number	Name	Remarks	Qty	Model
1	997 551 011 00	carpet linings carpet carpet	/LL -05	1	COUPE
	FLW	black			
	FLX	stone grey			
	FLY	sand beige			
	FLZ	sea blue			
	FMA	palmgreen			
	FMB	terracotta			
	FMC	cocoa			
	FMD	dark grey/natural			
	FME	brown/natural			
1	997 551 011 08	carpet carpet	/LL 06-	1	COUPE
	FLW	black			
	FLX	stone grey			
	FLY	sand beige			
	FLZ	sea blue			
	FMA	palmgreen			
	FMB	terracotta			
	FMC	cocoa			
	FMD	dark grey/natural			
	FME	brown/natural			
(1)	997 551 011 02	carpet carpet	/LL -05	1	CABRIO/ I098/490
	FLW	black			
	FLX	stone grey			
	FLY	sand beige			
	FLZ	sea blue			
	FMA	palmgreen			

Model	Year	MG	SG	Illustration	Restrictions	Update	13:31	17.11.2005	PORSCHE	PET	PORSCHE
997	06	8	07	807-02		194					

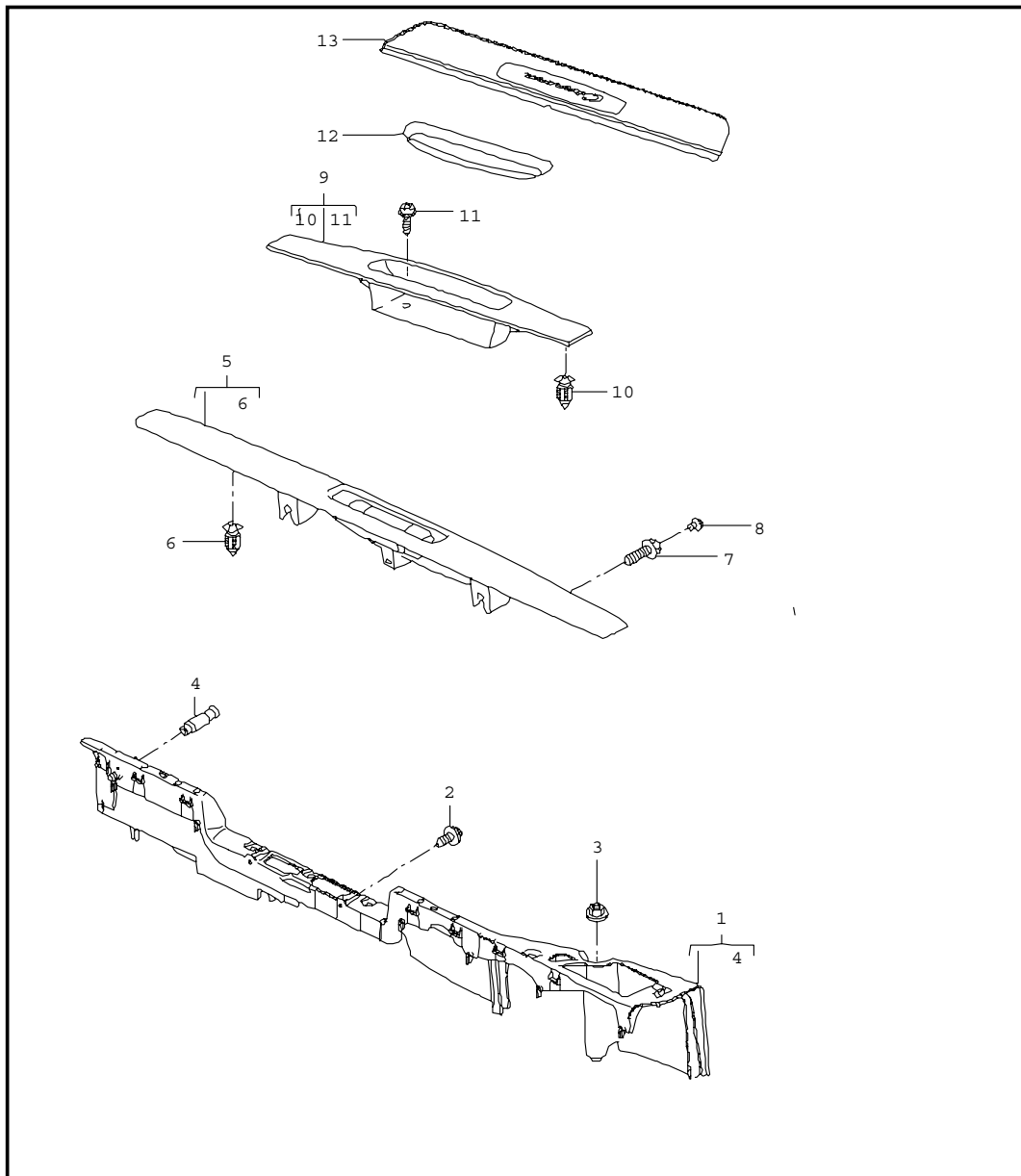
Pos	Part Number	Name	Remarks	Qty	Model	Pos	Part Number	Name	Remarks	Qty	Model
	FMB	terracotta					FLX	stone grey			
	FMC	cocoa					FLY	sand beige			
	FMD	dark grey/natural					FLZ	sea blue			
	FME	brown/natural					FMA	palmgreen			
(1)	997 551 011 10	carpet	/LL 06-	1	CABRIO/ I098/490		FMB	terracotta			
		carpet					FMC	cocoa			
	FLW	black					FMD	dark grey/natural			
	FLX	stone grey					FME	brown/natural			
	FLY	sand beige				--	997 551 813 00	protective film carpet	/LL	1	
	FLZ	sea blue				2	997 551 211 00	foot support	/LL	1	
	FMA	palmgreen				3	999 076 081 40	plastic nut T5/16 X 11,2 FUER mount foot support	/LL	2	
	FMB	terracotta				4	997 551 611 00	cover foot support	/LL	1	
	FMC	cocoa					01C	satin black			
	FMD	dark grey/natural				(4)	997 551 986 00	cover foot support	/LL	1	IXXZ/098
	FME	brown/natural				10	997 551 101 00	lining fusebox carpet	/LL	1	I098
(1)	997 551 011 04	carpet	/LL -05	1	CABRIO/ I098/680		A10	black			
		carpet					B10	stone grey			
	FLW	black					T10	sand beige			
	FLX	stone grey					E10	sea blue			
	FLY	sand beige					J10	palmgreen			
	FLZ	sea blue					M10	terracotta			
	FMA	palmgreen					R10	cocoa			
	FMB	terracotta					D11	dark grey/natural			
	FMC	cocoa					T11	brown/natural			
	FMD	dark grey/natural									
	FME	brown/natural									
(1)	997 551 011 12	carpet	/LL 06-	1	CABRIO/ I098/680						
		carpet									
	FLW	black									

Model	Year	MG	SG	Illustration	Restrictions	Update	13:31	17.11.2005	PORSCHE	PET	PORSCHE
997	06	8	07	807-02		194					

Pos	Part Number	Name	Remarks	Qty	Model	Pos	Part Number	Name	Remarks	Qty	Model
11	999 507 552 02	spring clamp 9,0 X 13/4,0		2			J41	palmgreen			
12	999 919 161 09	oval-head screw 5,0 X 18 for mount lining fusebox		3			M21	terracotta			
							R41	cocoa			
							T21	brown/natural			
13	997 551 621 00	cover lining fusebox	/LL	1		(16)	997 551 984 02	floor mats set perlon velour	/LL 06-	1	CABRIO IXX1/098/680
	01C	satin black					A41	black			
14	997 551 712 01	support carpet	/LL -05	1	I098		B21	stone grey			
15	999 076 081 40	plastic nut T5/16 X 11,2 mount support carpet		2			T41	sand beige			
							E21	sea blue			
16	997 551 984 00	floor mats set perlon velour	/LL	1	COUPE IXX1/098		J41	palmgreen			
	A41	black					M21	terracotta			
	B21	stone grey					R41	cocoa			
	T41	sand beige					T21	brown/natural			
	E21	sea blue									
	J41	palmgreen				17	999 902 054 40	fastening plate for floor mats		4	
	M21	terracotta									
	R41	cocoa									
	T21	brown/natural									
16	997 551 984 00	floor mats set perlon velour	/LL 06-	1	CABRIO IXX1/098/490						
	A41	black									
	B21	stone grey									
	T41	sand beige									
	E21	sea blue									

- - - E N D - - -

Model	Year	MG	SG	Illustration	Restrictions	Update	13:32	17.11.2005	PORSCHE	PET	PORSCHE
997	06	8	07	807-03		194					

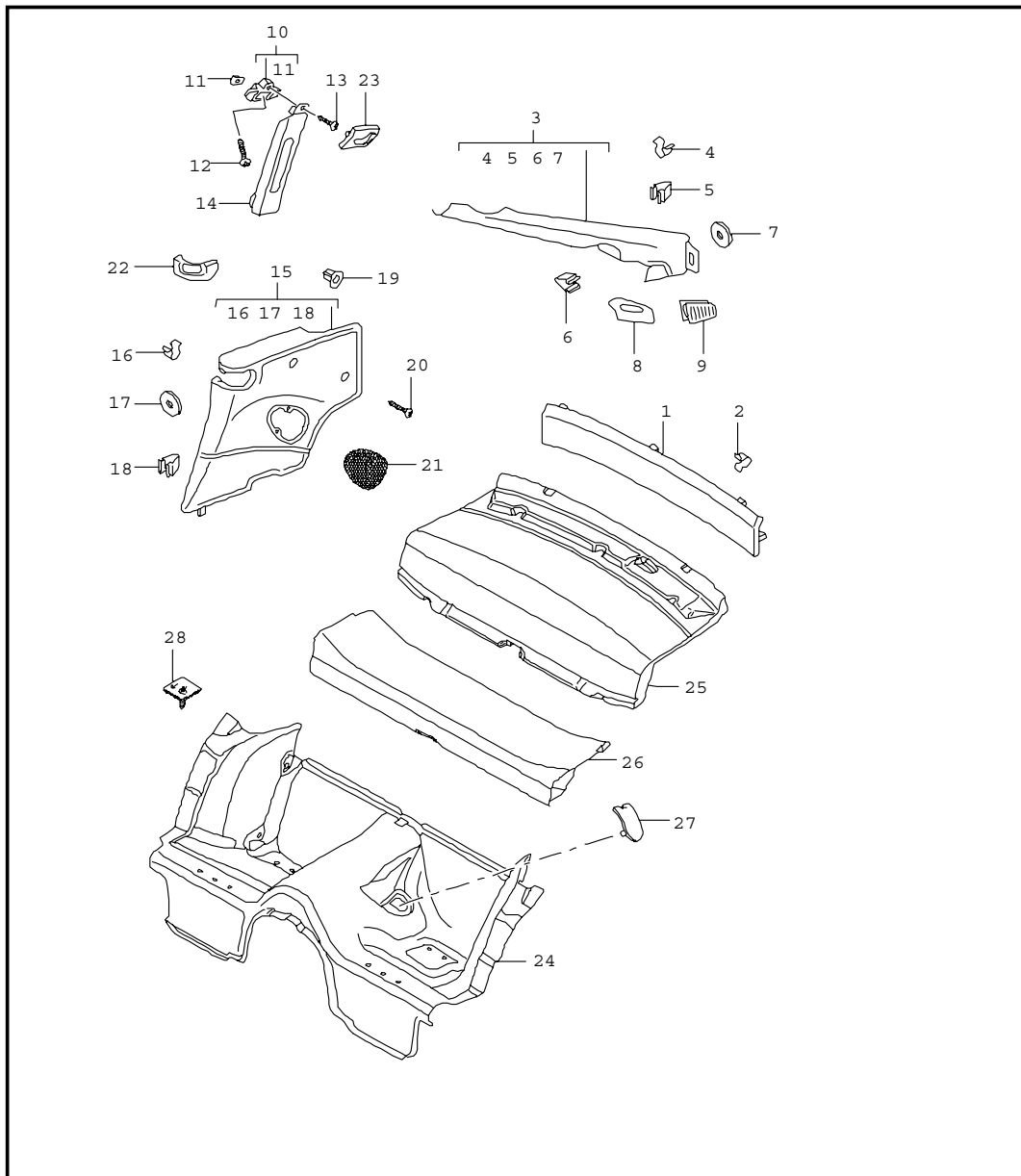


Pos	Part Number	Name	Remarks	Qty	Model
1	997 551 619 01	lining door sill		1	
		support door sill	/L		
(1)	997 551 620 01	support door sill	/R	1	
2	900 143 082 02	tapping screw ST 6,3 X 13 for mount support door sill		4	
3	999 076 081 40	plastic nut T5 16 X 11,2 for mount support door sill		2	
4	996 551 873 00	locating peg for mount support door sill		2	
5	997 551 019 00	lining door sill driver's side	/LL	1	
	A03	black			
5	997 551 982 00	lining door sill driver's side leather	/LL	1	IXTG
	A11	black			
	5X6	stone grey			
	8G2	sand beige			
	3S9	sea blue			
	4P2	palmgreen			
	9S5	terracotta			
	9V6	cocoa			
	D12	dark grey/natural			
	T12	brown/natural			

Model	Year	MG	SG	Illustration	Restrictions	Update	13:32	17.11.2005	PORSCHE	PET	PORSCHE
997	06	8	07	807-03		194					

Pos	Part Number	Name	Remarks	Qty	Model	Pos	Part Number	Name	Remarks	Qty	Model
6	999 507 484 40	expander nut 9 X 22		6		(13)	997 551 303 02	scuff plate lacquered	06-	2	CARRERA 4
7	999 067 046 09	screw M 6 X 20		2			A03	black			
8	999 703 443 40	plug 8,0 X 11		2		(13)	997 551 303 03	scuff plate lacquered	06-	2	CARRERA 4S
	01C	satin black					A03	black			
9	997 551 120 00	lining door sill passenger's side		1		13	997 551 980 00	scuff plate carbon		1	CARRERA/IX69 IX69
	A03	black				(13)	997 551 980 01	scuff plate carbon		1	CARRERA S/ IX69
(9)	997 551 983 00	lining door sill passenger's side leather		1	IXTG	13	997 551 981 00	scuff plate stainless steel		2	CARRERA/IX70 IX70
	A11	black				(13)	997 551 981 01	scuff plate stainless steel		2	CARRERA S/ IX70
	5X6	stone grey						- - - E N D - - -			
	8G2	sand beige									
	3S9	sea blue									
	4P2	palmgreen									
	9S5	terracotta									
	9V6	cocoa									
	D12	dark grey/natural									
	T12	brown/natural									
10	999 507 484 40	expander nut 9 X 22		6							
11	999 919 164 09	oval-head screw 5,0 X 12		1							
12	996 551 513 00	mat		1							
13	997 551 303 00	scuff plate lacquered		2	CARRERA						
	A03	black									
(13)	997 551 303 01	scuff plate lacquered		2	CARRERA S						
	A03	black									

Model	Year	MG	SG	Illustration	Restrictions	Update	13:32	17.11.2005	PORSCHE	PET	PORSCHE
997	06	8	07	807-05		194					



Pos	Part Number	Name	Remarks	Qty	Model
1	997 555 081 00	linings rear lining rear wall carpet		1	COUPE I426
	A10	black			
	B10	stone grey			
	T10	sand beige			
	E10	sea blue			
	J10	palmgreen			
	M10	terracotta			
	R10	cocoa			
	D11	dark grey/natural			
	T11	brown/natural			
(1)	997 555 081 01	lining rear wall carpet		1	I425
	A10	black			
	B10	stone grey			
	T10	sand beige			
	E10	sea blue			
	J10	palmgreen			
	M10	terracotta			
	R10	cocoa			
	D11	dark grey/natural			
	T11	brown/natural			
2	999 507 687 05	fixing clip 11,3		5	
3	997 555 187 00	lining c-pillar leatherette	/L	1	
	1MZ	black			
	1YP	stone grey			

Model	Year	MG	SG	Illustration	Restrictions	Update	13:32	17.11.2005	PORSCHE	PET	PORSCHE
997	06	8	07	807-05		194					

Pos	Part Number	Name	Remarks	Qty	Model	Pos	Part Number	Name	Remarks	Qty	Model	
(3)	997 555 188 00	1TK sand beige	/R	1		4	9V6 cocoa					
		1VM sea blue					D12 dark grey/natural					
		1UL palmgreen					T12 brown/natural					
		lining c-pillar leatherette					4 999 507 533 02 clamp 8,0 X10,0/2,5					4
		1MZ black					5 999 507 479 09 clamp 2,5/09					6
		1YP stone grey					(5) 999 507 676 09 clamp 2,5/2,2					1
		1TK sand beige					6 999 651 307 02 cable clamp 18,0					2
		1VM sea blue					7 999 551 609 40 plastic washer 8,0 X 23 X 3,0					7
		1UL palmgreen					8 996 555 545 01 rose seat belt rear lacquered					1
		3					997 555 187 01					lining c-pillar leather
A11 black	5V7 stone grey											
5X6 stone grey	5Z1 sand beige											
8G2 sand beige	8W7 sea blue											
3S9 sea blue	5Y2 palmgreen											
4P2 palmgreen	8X8 terracotta											
9S5 terracotta	8P9 cocoa											
9V6 cocoa	T13 brown/natural											
D12 dark grey/natural	(8) 996 555 546 01 rose seat belt rear lacquered		1									
T12 brown/natural	A03 black											
(3)	997 555 188 01	lining c-pillar leather	/R	1	I981	8	5V7 stone grey					
		A11 black	5Z1 sand beige									
		5X6 stone grey	8W7 sea blue									
		8G2 sand beige	5Y2 palmgreen									
		3S9 sea blue	8X8 terracotta									
		4P2 palmgreen										
		9S5 terracotta										

Model	Year	MG	SG	Illustration	Restrictions	Update	13:32	17.11.2005	PORSCHE	PET	PORSCHE
997	06	8	07	807-05		194					

Pos	Part Number	Name	Remarks	Qty	Model	Pos	Part Number	Name	Remarks	Qty	Model
	8P9	cocoa				14	997 555 183 00	lining b-pillar leatherette	/L	1	
	T13	brown/natural									
9	996 555 645 00	grille bleeding lacquered	/L	1			1MZ	black			
	A03	black					1YP	stone grey			
	5V7	stone grey					1TK	sand beige			
	5Z1	sand beige					1VM	sea blue			
	8W7	sea blue					1UL	palmgreen			
	5Y2	palmgreen				(14)	997 555 184 00	lining b-pillar leatherette	/R	1	
	8X8	terracotta					1MZ	black			
	8P9	cocoa					1YP	stone grey			
	T13	brown/natural					1TK	sand beige			
(9)	996 555 646 00	grille bleeding lacquered	/L	1			1VM	sea blue			
	A03	black					1UL	palmgreen			
	5V7	stone grey				14	997 555 183 01	lining b-pillar leather	/L	1	I981
	5Z1	sand beige					A11	black			
	8W7	sea blue					5X6	stone grey			
	5Y2	palmgreen					8G2	sand beige			
	8X8	terracotta					3S9	sea blue			
	8P9	cocoa					4P2	palmgreen			
	T13	brown/natural					9S5	terracotta			
10	996 555 821 02	bracket coat hook	/L	1			9V6	cocoa			
(10)	996 555 822 02	bracket coat hook	/R	1			D12	dark grey/natural			
							T12	brown/natural			
11	999 507 695 02	speed nut ST 4,8		2		(14)	997 555 184 01	lining b-pillar leather	/R	1	I981
12	999 073 130 02	oval-head screw M 6 X 16		2			A11	black			
13	999 073 060 02	tapping screw 4,8 X 13		2			5X6	stone grey			

Model	Year	MG	SG	Illustration	Restrictions	Update	13:32	17.11.2005	PORSCHE	PET	PORSCHE
997	06	8	07	807-05		194					

Pos	Part Number	Name	Remarks	Qty	Model	Pos	Part Number	Name	Remarks	Qty	Model
	8G2	sand beige					FSG	cocoa/cocoa			
	3S9	sea blue					FSH	darkgrey natural/grey			
	4P2	palmgreen					FSJ	brown nat./brown nat.			
	9S5	terracotta				(15)	997 555 072 01	side trim panel leather	/R	1	I981
	9V6	cocoa					FSA	black/grey			
	D12	dark grey/natural					FSB	stone grey/stone grey			
	T12	brown/natural					FSC	sand beige/sand beige			
--	996 555 859 00	grommet b-pillar		2			FSD	seeblue/grey			
15	997 555 071 00	side trim panel leatherette	/L	1			FSE	palm-green/palm-green			
	1MZ	black					FSF	terrakotta/terrakotta			
	1YP	stone grey					FSG	cocoa/cocoa			
	1TK	sand beige					FSH	darkgrey natural/grey			
	1VM	sea blue					FSJ	brown nat./brown nat.			
	1UL	palmgreen				15	997 555 071 06	side trim panel bicolor	/L 06-	1	I970
(15)	997 555 072 00	side trim panel leatherette	/R	1			BCG	black/stone grey			
	1MZ	black					BCH	black/sand beige			
	1YP	stone grey					BCJ	black/terracotta			
	1TK	sand beige				(15)	997 555 072 06	side trim panel bicolor	/R 06-	1	I970
	1VM	sea blue					BCG	black/stone grey			
	1UL	palmgreen					BCH	black/sand beige			
15	997 555 071 01	side trim panel leather	/L	1	I981		BCJ	black/terracotta			
	FSA	black/grey				16	999 507 676 09	clamp 2,5/2,2		2	
	FSB	stone grey/stone grey				17	999 551 609 40	plastic washer 8,0 X 23 X 3,0		2	
	FSC	sand beige/sand beige				18	999 507 533 02	clamp 8.0 X 10 /2,5		1	
	FSD	seeblue/grey				19	999 507 050 40	expander nut ST 4,2		2	
	FSE	palm-green/palm-green									
	FSF	terrakotta/terrakotta									

Model	Year	MG	SG	Illustration	Restrictions	Update	13:32	17.11.2005	PORSCHE	PET	PORSCHE
997	06	8	07	807-05		194					

Pos	Part Number	Name	Remarks	Qty	Model	Pos	Part Number	Name	Remarks	Qty	Model
20	999 073 142 09	tapping screw ST 4,2 X 19		2			8P9	cocoa			
21	997 555 049 00	loudspeaker grille side trim panel lacquered	/L	1		(22)	T13	brown/natural			
	A03	black					997 555 062 00	rose seat belt lacquered	/R	1	
	5V7	stone grey					A03	black			
	5Z1	sand beige					5V7	stone grey			
	8W7	sea blue					5Z1	sand beige			
	5Y2	palmgreen					8W7	sea blue			
	8X8	terracotta					5Y2	palmgreen			
	8P9	cocoa					8X8	terracotta			
	T13	brown/natural					8P9	cocoa			
(21)	997 555 050 00	loudspeaker grille side trim panel lacquered	/R	1		23	T13	brown/natural			
	A03	black					997 555 573 00	coat hook lacquered	/L	1	
	5V7	stone grey					A03	black			
	5Z1	sand beige					5V7	stone grey			
	8W7	sea blue					5Z1	sand beige			
	5Y2	palmgreen					8W7	sea blue			
	8X8	terracotta					5Y2	palmgreen			
	8P9	cocoa					8X8	terracotta			
	T13	brown/natural					8P9	cocoa			
							T13	brown/natural			
22	997 555 061 00	rose seat belt lacquered	/L	1		(23)	997 555 574 00	coat hook lacquered	/R	1	
	A03	black					A03	black			
	5V7	stone grey					5V7	stone grey			
	5Z1	sand beige					5Z1	sand beige			
	8W7	sea blue					8W7	sea blue			
	5Y2	palmgreen					5Y2	palmgreen			
	8X8	terracotta					8X8	terracotta			

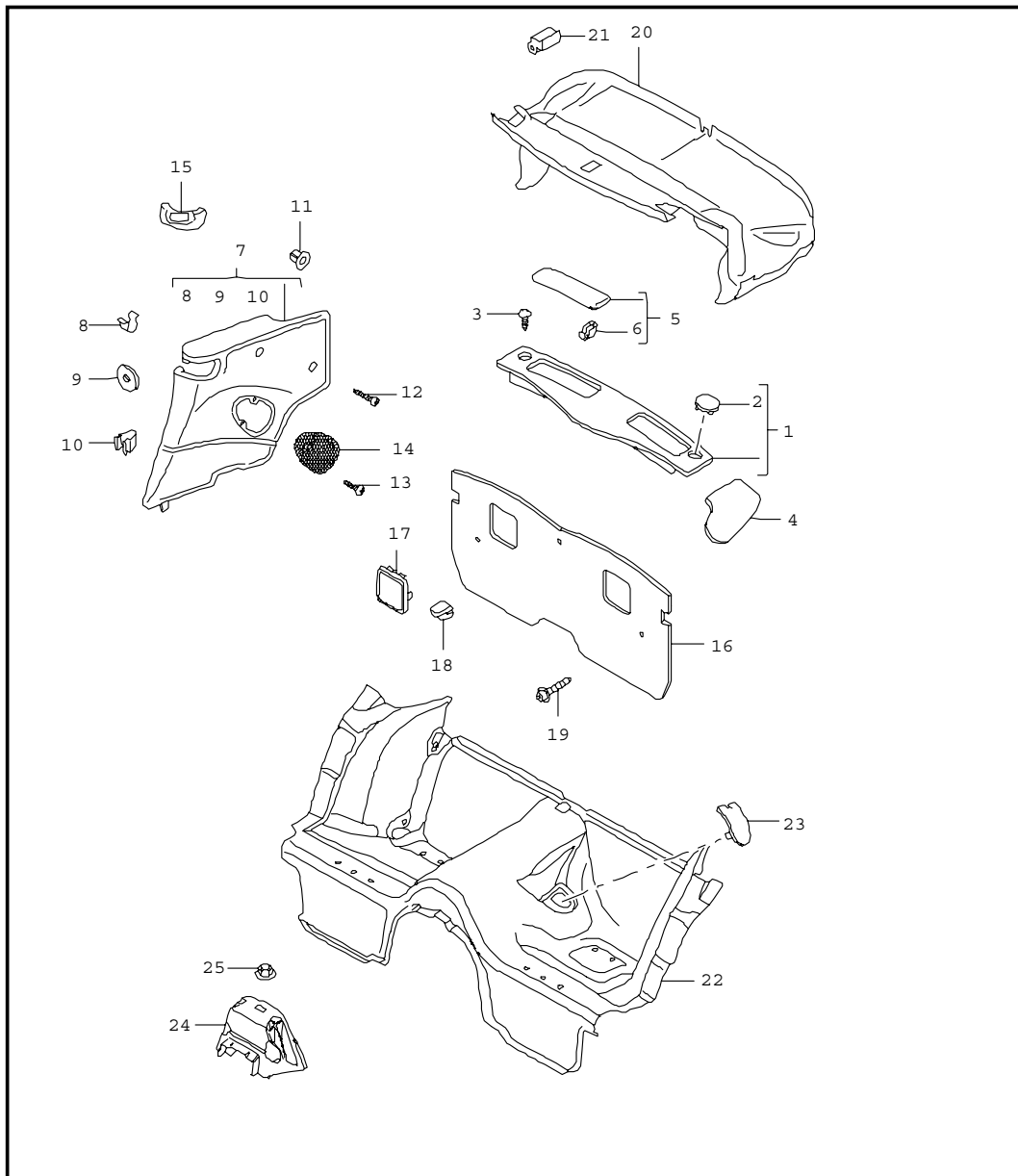
Model	Year	MG	SG	Illustration	Restrictions	Update	13:32	17.11.2005	PORSCHE	PET	PORSCHE
997	06	8	07	807-05		194					

Pos	Part Number	Name	Remarks	Qty	Model	Pos	Part Number	Name	Remarks	Qty	Model
	8P9	cocoa					E10	sea blue			
	T13	brown/natural					J10	palmgreen			
24	997 551 017 00	adhesive carpet seat well carpet		1			M10	terracotta			
	A10	black					R10	cocoa			
	B10	stone grey					D11	dark grey/natural			
	T10	sand beige				(25)	997 551 031 07	adhesive carpet rear wall carpet		1	I484/680
	E10	sea blue					A10	black			
	J10	palmgreen					B10	stone grey			
	M10	terracotta					T10	sand beige			
	R10	cocoa					E10	sea blue			
	D11	dark grey/natural					J10	palmgreen			
(25)	997 551 031 01	adhesive carpet rear wall carpet		1	I484/490		M10	terracotta			
	A10	black					R10	cocoa			
	B10	stone grey					D11	dark grey/natural			
	T10	sand beige				(25)	997 551 031 08	adhesive carpet rear wall carpet		1	I113/680
	E10	sea blue					A10	black			
	J10	palmgreen					B10	stone grey			
	M10	terracotta					T10	sand beige			
	R10	cocoa					E10	sea blue			
	D11	dark grey/natural					J10	palmgreen			
(25)	997 551 031 02	adhesive carpet rear wall carpet		1	I113/490		M10	terracotta			
	A10	black					R10	cocoa			
	B10	stone grey					D11	dark grey/natural			
	T10	sand beige					T11	brown/natural			

Model	Year	MG	SG	Illustration	Restrictions	Update	13:32	17.11.2005	PORSCHE	PET	PORSCHE
997	06	8	07	807-05		194					

Pos	Part Number	Name	Remarks	Qty	Model	Pos	Part Number	Name	Remarks	Qty	Model
26	997 551 033 00	lining control units carpet		1		(27)	997 551 526 00	cover seat-belt buckle	/R 06-	1	
	A10	black					01C	black			
	B10	stone grey				28	996 551 551 00	cover mount child car seat		2	I113
	T10	sand beige						- - - E N D - - -			
	E10	sea blue									
	J10	palmgreen									
	M10	terracotta									
	R10	cocoa									
	D11	dark grey/natural									
	T11	brown/natural									
(26)	997 551 033 01	lining control units carpet		1	I680						
	A10	black									
	B10	stone grey									
	T10	sand beige									
	E10	sea blue									
	J10	palmgreen									
	M10	terracotta									
	R10	cocoa									
	D11	dark grey/natural									
	T11	brown/natural									
27	996 551 525 00	cover seat-belt buckle	/L 05	1							
	01C	black									
27	997 551 525 00	cover seat-belt buckle	/L 06-	1							
	01C	black									
(27)	996 551 526 00	cover seat-belt buckle	/R 05	1							
	01C	black									

Model	Year	MG	SG	Illustration	Restrictions	Update	13:32	17.11.2005	PORSCHE	PET	PORSCHE
997	06	8	07	807-07		194					



Pos	Part Number	Name	Remarks	Qty	Model
1	996 555 083 04	linings rear cover convertible top cloth		1	CABRIO
	EDK	black			
	FNX	stone grey			
	ERN	metropole blue			
	FNZ	brown			
2	996 555 457 00	cover hardtop mounting lacquered		2	
	A10	black			
	5V7	stone grey			
	G10	metropole blue			
	8P9	cocoa			
3	999 073 060 02	tapping screw 4,8 X 13 for mount cover convertible top		3	
4	996 555 263 03	flap convertible top cloth	/L	1	
	A07	black			
	C19	stone grey			
	G03	metropole blue			
	R18	brown			
(4)	996 555 264 03	flap convertible top cloth	/R	1	
	A07	black			
	C19	stone grey			
	G03	metropole blue			
	R18	brown			

Model	Year	MG	SG	Illustration	Restrictions	Update	13:32	17.11.2005	PORSCHE	PET	PORSCHE
997	06	8	07	807-07		194					

Pos	Part Number	Name	Remarks	Qty	Model	Pos	Part Number	Name	Remarks	Qty	Model
5	996 555 341 01	flap cover	/L	1			1VM	sea blue			
	A07	black					1UL	palmgreen			
	C19	stone grey				7	997 555 071 03	side trim panel leather	/L	1	I981
	G03	metropole blue					FSA	black/grey			
	R18	brown					FSB	stone grey/stone grey			
(5)	996 555 342 01	flap cover	/R	1			FSC	sand beige/sand beige			
	A07	black					FSD	seeblue/grey			
	C19	stone grey					FSE	palm-green/palm-green			
	G03	metropole blue					FSF	terrakotta/terrakotta			
	R18	brown					FSG	cocoa/cocoa			
6	996 555 355 00	hinge outer		2			FSH	darkgrey natural/grey			
(6)	996 555 356 00	hinge inner		2		(7)	997 555 072 03	side trim panel leather	/R	1	I981
--	996 580 667 00	support		2			FSA	black/grey			
--	999 591 489 02	speed nut 4,8		2			FSB	stone grey/stone grey			
--	999 073 060 02	tapping screw 4,8 X 13		3			FSC	sand beige/sand beige			
							FSD	seeblue/grey			
7	997 555 071 02	side trim panel leatherette	/L	1			FSE	palm-green/palm-green			
	1MZ	black					FSF	terrakotta/terrakotta			
	1YP	stone grey					FSG	cocoa/cocoa			
	1TK	sand beige					FSH	darkgrey natural/grey			
	1VM	sea blue					FSJ	brown nat./brown nat.			
	1UL	palmgreen				7	997 555 071 07	side trim panel bicolor	/L 06-	1	I970
(7)	997 555 072 02	side trim panel leatherette	/R	1			BCK	black/stone grey			
	1MZ	black					BCL	black/sand beige			
	1YP	stone grey					BCM	black/terracotta			
	1TK	sand beige				(7)	997 555 072 07	side trim panel bicolor	/R 06-	1	I970

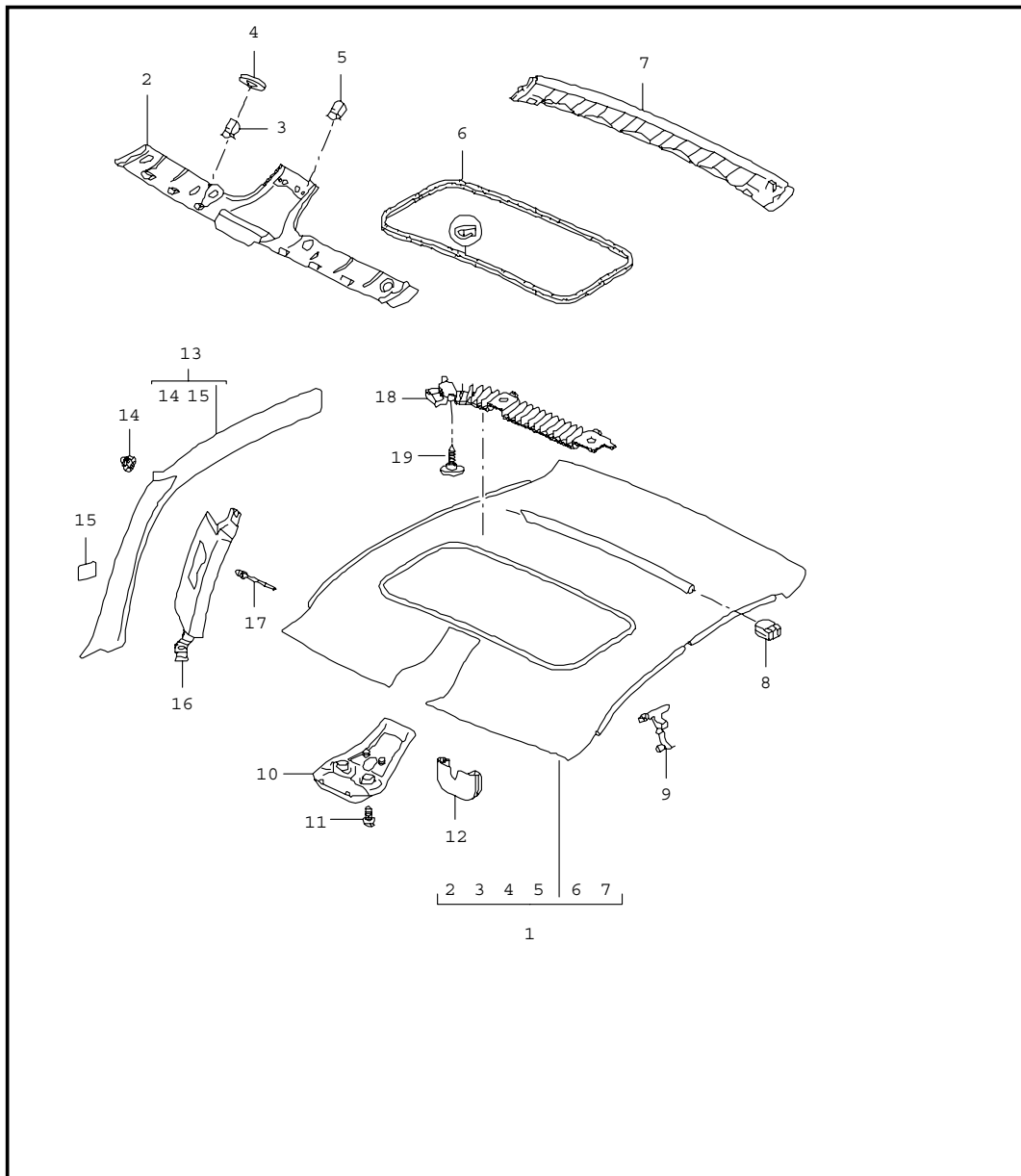
Model	Year	MG	SG	Illustration	Restrictions	Update	13:32	17.11.2005	PORSCHE	PET	PORSCHE
997	06	8	07	807-07		194					

Pos	Part Number	Name	Remarks	Qty	Model	Pos	Part Number	Name	Remarks	Qty	Model
	BCK	black/stone grey					8X8	terracotta			
	BCL	black/sand beige					8P9	cocoa			
	BCM	black/terracotta					T13	brown/natural			
8	999 507 676 09	clamp 2,5/2,2		1		(15)	997 555 671 01	rose seat belt	/L	1	
9	999 551 609 40	plastic washer 8,0 X 23 X3,0		1			A03	black			
10	999 507 533 02	clamp 8,0 X 10 /2,5		2			5V7	stone grey			
11	999 507 050 40	expander nut ST 4,2		2			5Z1	sand beige			
12	999 073 142 09	tapping screw ST 4,2 X 19		2			8W7	sea blue			
13	999 073 048 02	tapping screw ST 3,5 X 13		2			5Y2	palmgreen			
14	997 555 049 00	loudspeaker grille side trim panel lacquered	/L	1		(15)	997 555 672 01	rose seat belt	/R	1	
	A03	black					A03	black			
	5V7	stone grey					5V7	stone grey			
	5Z1	sand beige					5Z1	sand beige			
	8W7	sea blue					8W7	sea blue			
	5Y2	palmgreen					5Y2	palmgreen			
	8X8	terracotta					8X8	terracotta			
	8P9	cocoa					8P9	cocoa			
	T13	brown/natural					T13	brown/natural			
(14)	997 555 050 00	loudspeaker grille side trim panel lacquered	/R	1		(16)	996 555 281 06	back wall lining carpet		1	
	A03	black					A10	black			
	5V7	stone grey					B10	stone grey			
	5Z1	sand beige					E10	sea blue			
	8W7	sea blue					J10	palmgreen			
	5Y2	palmgreen					M10	terracotta			
							R10	cocoa			

Model	Year	MG	SG	Illustration	Restrictions	Update	13:32	17.11.2005	PORSCHE	PET	PORSCHE
997	06	8	07	807-07		194					

Pos	Part Number	Name	Remarks	Qty	Model	Pos	Part Number	Name	Remarks	Qty	Model
		D11 dark grey/natural						01C satin black			
		T11 brown/natural				23	997 551 526 00	cover seat-belt buckle	/R 06-	1	
18	996 555 789 00	base wind deflector		1				01C satin black			
		01C satin black				24	997 551 221 00	support seat well		1	
19	999 073 062 02	tapping screw 4,8 X 12		2		25	999 076 081 40	plastic nut T5 16 X 11,2		2	
20	996 551 035 04	lining convertible top frame carpet		1				- - - E N D - - -			
		B04 dark grey									
21	999 703 432 40	plug for mount lining convertible top frame		6							
22	997 551 017 01	adhesive carpet seat well carpet		1							
		A10 black									
		B10 stone grey									
		T10 sand beige									
		E10 sea blue									
		J10 palmgreen									
		M10 terracotta									
		R10 cocoa									
		D11 dark grey/natural									
		T11 brown/natural									
(23)	996 551 525 00	cover seat-belt buckle	/L 05	1							
		01C satin black									
(23)	997 551 525 00	cover seat-belt buckle	/L 06-	1							
		01C satin black									
23	996 551 526 00	cover seat-belt buckle	/R 05	1							

Model	Year	MG	SG	Illustration	Restrictions	Update	13:32	17.11.2005	PORSCHE	PET	PORSCHE
997	06	8	07	807-08		194					



Pos	Part Number	Name	Remarks	Qty	Model
1	996 555 091 06	rooflining a-pillar alcantara F >>995S7 15752 F >>99XS7 40850 A14 black B14 stone grey T44 stone grey G14 metropole blue J44 palmgreen		1	COUPE COUPE COUPE/I652
1	996 555 091 07	rooflining alcantara F >>995S7 15752 F >>99XS7 40850 A14 black B14 stone grey T44 stone grey G14 metropole blue J44 palmgreen		1	COUPE/I650
1	997 555 091 00	rooflining alcantara F 995S7 15753>> F 995S7 40851>> A14 black B14 stone grey T44 sand beige G14 metropole blue J44 palmgreen		1	COUPE:I652
(1)	997 555 091 01	rooflining alcantara F 995S7 15753>> F 995S7 40851>> A14 black B14 stone grey T44 sand beige		1	COUPE:I650

Model	Year	MG	SG	Illustration	Restrictions	Update	13:32	17.11.2005	PORSCHE	PET	PORSCHE
997	06	8	07	807-08		194					

Pos	Part Number	Name	Remarks	Qty	Model	Pos	Part Number	Name	Remarks	Qty	Model
	G14	metropole blue					8G2	sand beige			
	J44	palmgreen					3S9	sea blue			
(1)	996 555 982 02	rooflining valid up to: F >>99X57 15752 F >>99X57 40850		1	XMA/I652		4P2	palmgreen			
	A11	black					9S5	terracotta			
	5X6	stone grey					9V6	cocoa			
	8G2	sand beige					D12	dark grey/natural			
	3S9	sea blue				(1)	997 555 980 01	rooflining valid from: F 995S7 15753>> F 995S7 40851>>		1	XMA/I650
	4P2	palmgreen					A11	black			
	9S5	terracotta					5X6	stone grey			
	9V6	cocoa					8G2	sand beige			
	D12	dark grey/natural					3S9	sea blue			
	T12	brown/natural					4P2	palmgreen			
(1)	996 555 982 03	rooflining valid up to: F >>99X57 15752 F >>99X57 40850		1	XMA/I650		9S5	terracotta			
	A11	black					9V6	cocoa			
	5X6	stone grey					D12	dark grey/natural			
	8G2	sand beige					T12	brown/natural			
	3S9	sea blue				(2) U	996 555 553 08	cover rooflining front valid up to: F >>995S7 15752 F >>995S7 40850		1	COUPE/I652
	4P2	palmgreen									
	9S5	terracotta				2 U	996 555 553 09	cover rooflining front valid up to: F >>995S7 15752 F >>995S7 40850		1	COUPE/I650
	9V6	cocoa									
	D12	dark grey/natural				(2) U	997 555 591 00	cover front valid from: F 995S7 15753>> F 995S7 40851>>		1	COUPE/I652
	T12	brown/natural									
(1)	997 555 980 00	rooflining valid from: F 995S7 15753>> F 995S7 40851>>		1	XMA/I652						
	A11	black									
	5X6	stone grey									

Model	Year	MG	SG	Illustration	Restrictions	Update	13:32	17.11.2005	PORSCHE	PET	PORSCHE
997	06	8	07	807-08		194					

Pos	Part Number	Name	Remarks	Qty	Model	Pos	Part Number	Name	Remarks	Qty	Model
2	U 997 555 591 01	cover front valid from: F 995S7 15753>> F 995S7 40851>>		1	COUPE/I650		5Y2	palmgreen			
						(10)	996 555 993 02	cover interior light leather	06-	1	IXZD/650
3	999 507 479 09	clamp 2,5/0,9		6	COUPE		A11	black			
4	999 551 609 40	plastic washer 8,0 X 23 X 3,0		6	COUPE		5X6	stone grey			
							8G2	sand beige			
5	999 507 533 02	clamp 8 X 10/2,5		2	COUPE:I 650		3S9	sea blue			
6	996 564 231 02	piping		1	COUPE:I 650		4P2	palmgreen			
(7) U	996 555 155 06	cover rooflining rear		1	COUPE/I652		9S5	terracotta			
							9V6	cocoa			
7	U 996 555 155 07	cover rooflining rear		1	COUPE/I650		D12	dark grey/natural			
							T12	brown/natural			
8	996 555 823 00	support transverse strut	-05	2	COUPE: I650	(10)	996 555 993 03	cover interior light leather	06-	1	IXZD/652
8	997 555 823 00	support transverse strut	06-	2	COUPE: I650		A11	black			
9	996 555 691 02	clip mount rooflining		8	COUPE		5X6	stone grey			
							8G2	sand beige			
(10)	996 555 557 09	cover interior light		1	COUPE/I650		3S9	sea blue			
		A03	black				4P2	palmgreen			
		5V7	stone grey				9S5	terracotta			
		5Z1	sand beige				9V6	cocoa			
		8W7	sea blue				D12	dark grey/natural			
		5Y2	palmgreen				T12	brown/natural			
10	996 555 557 11	cover interior light		1	COUPE/I652	11	999 073 061 02	tapping screw 4,8 X 16 for mount cover interior light		X	
		A03	black								
		5V7	stone grey								
		5Z1	sand beige								
		8W7	sea blue								

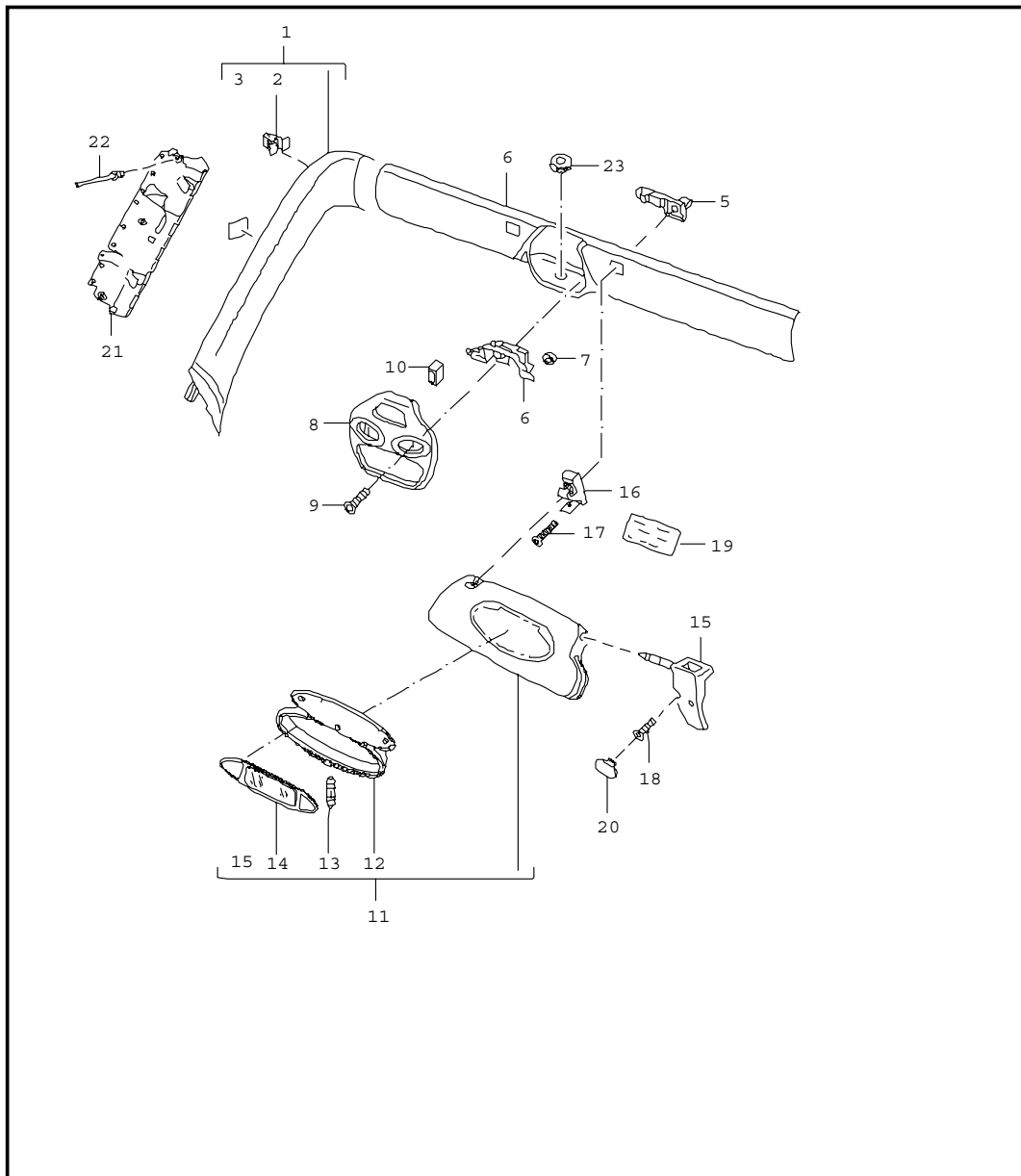
Model	Year	MG	SG	Illustration	Restrictions	Update	13:32	17.11.2005	PORSCHE	PET	PORSCHE
997	06	8	07	807-08		194					

Pos	Part Number	Name	Remarks	Qty	Model	Pos	Part Number	Name	Remarks	Qty	Model
--	P 999 591 348 02	speed nut St 4,8 for mount cover interior light		X			1YP	stone grey			
							1TK	sand beige			
							1VM	sea blue			
							1UL	palmgreen			
12	996 555 619 00	grommet wiring harness rain sensor		1		(13)	997 555 181 01	lining a-pillar leather	/L 05	1	COUPE: I981
(13)	997 555 181 00	lining a-pillar leatherette	/L 05	1	COUPE		A11	black			
	1MZ	black					5X6	stone grey			
	1YP	stone grey					8G2	sand beige			
	1TK	sand beige					3S9	sea blue			
	1VM	sea blue					4P2	palmgreen			
	1UL	palmgreen					9S5	terracotta			
13	997 555 182 00	lining a-pillar leatherette	/R 05	1	COUPE		9V6	cocoa			
	1MZ	black					D12	dark grey/natural			
	1YP	stone grey				(13)	997 555 182 01	lining a-pillar leather	/R 05	1	COUPE: I981
	1TK	sand beige					A11	black			
	1VM	sea blue					5X6	stone grey			
	1UL	palmgreen					8G2	sand beige			
(13)	997 555 181 04	lining a-pillar leatherette	/L 06-	1	COUPE		3S9	sea blue			
	1MZ	black					4P2	palmgreen			
	1YP	stone grey					9S5	terracotta			
	1TK	sand beige					9V6	cocoa			
	1VM	sea blue					D12	dark grey/natural			
	1UL	palmgreen					T12	brown/natural			
(13)	997 555 182 04	lining a-pillar leatherette	/R 06-	1	COUPE	(13)	997 555 181 05	lining a-pillar leather	/L 06-	1	COUPE: I981
	1MZ	black					A11	black			

Model	Year	MG	SG	Illustration	Restrictions	Update	13:32	17.11.2005	PORSCHE	PET	PORSCHE
997	06	8	07	807-08		194					

Pos	Part Number	Name	Remarks	Qty	Model	Pos	Part Number	Name	Remarks	Qty	Model
	5X6	stone grey				(16)	997 555 292 00	deformation element a-pillar	/R 06-	1	I553/072
	8G2	sand beige				17	999 190 167 30	blind rivet 4,0 X 6,3		8	
	3S9	sea blue				(18)	997 555 689 01	deformation element roof	/L 06-	1	I553/072/650
	4P2	palmgreen				18	997 555 690 01	deformation element roof	/R 06-	1	I553/072/650
	9S5	terracotta				19	999 073 366 02	oval-head screw M 6 X30 for mount deformation element roof	06-	4	
	9V6	cocoa									
	D12	dark grey/natural									
	T12	brown/natural									
(13)	997 555 182 05	lining a-pillar leather	/L 06-	1	COUPE:I981						
	A11	black									
	5X6	stone grey									
	8G2	sand beige									
	3S9	sea blue									
	4P2	palmgreen									
	9S5	terracotta									
	9V6	cocoa									
	D12	dark grey/natural									
	T12	brown/natural									
14	999 507 681 09	clamp 2,5/3,0	05	5	COUPE						
(14)	999 507 839 01	clamp 3,5	06-	2	COUPE						
(14)	999 507 047 09	clamp 3,6	06-	3	COUPE						
15	999 551 134 40	adhesive tape 20 X 65		5	COUPE						
(16)	996 555 291 00	deformation element a-pillar	/L 05	1							
16	996 555 292 00	deformation element a-pillar	/R 05	1							
(16)	997 555 291 00	deformation element a-pillar	/L 06-	1	I553/072						
								- - - E N D - - -			

Model	Year	MG	SG	Illustration	Restrictions	Update	13:33	17.11.2005	PORSCHE	PET	PORSCHE
997	06	8	07	807-09		194					



Pos	Part Number	Name	Remarks	Qty	Model
		a-pillar windscreen frame sun visors			CABRIO CABRIO COUPE/CABRIO
1	997 555 181 06	lining a-pillar leatherette  1MZ black 1YP stone grey 1TK sand beige 1VM sea blue 1UL palmgreen	/L	1	CABRIO
(1)	997 555 182 06	lining a-pillar leatherette  1MZ black 1YP stone grey 1TK sand beige 1VM sea blue 1UL palmgreen	/R	1	CABRIO
1	997 555 181 07	lining a-pillar leather  A11 black 5X6 stone grey 8G2 sand beige 3S9 sea blue 4P2 palmgreen 9S5 terracotta 9V6 cocoa D12 dark grey/natural T12 brown/natural	/L	1	CABRIO/I981
(1)	997 555 182 07	lining a-pillar leather	/R	1	CABRIO/I981

Model	Year	MG	SG	Illustration	Restrictions	Update	13:33	17.11.2005	PORSCHE	PET	PORSCHE
997	06	8	07	807-09		194					

Pos	Part Number	Name	Remarks	Qty	Model	Pos	Part Number	Name	Remarks	Qty	Model
	A11	black					9V6	cocoa			
	5X6	stone grey					D12	dark grey/natural			
	8G2	sand beige					T12	brown/natural			
	3S9	sea blue				6	996 613 795 01	microswitch		1	CABRIO
	4P2	palmgreen				7	999 507 534 02	clamping washer 2,5		2	CABRIO
	9S5	terracotta				8	996 561 635 00	cover interior light lacquered		1	CABRIO
	9V6	cocoa					A09	rally black			
	D12	dark grey/natural				-	996 561 613 00	cover		1	CABRIO
	T12	brown/natural					01C	satin black			
2	999 507 047 09	clamp 3,6		2		9	999 073 166 09	countersunk-head screw M 6 X 25		2	CABRIO
3	999 551 134 40	adhesive tape 20 X 65		2		10	996 561 609 00	cap		1	CABRIO
4	986 731 541 01	plate for sun visors		2		(11)	996 731 031 16	sun visor valid up to: F >>995S7 15752 F >>995S7 40850 leatherette	/L	1	COUPE/I484
5	997 555 059 00	lining windscreen frame part leatherette		1	CABRIO						
	1MZ	black					A12	black			
	1YP	stone grey					8W4	stone grey			
	1TK	sand beige					7E3	sand beige			
	1VM	sea blue					8Z5	sea blue			
	1UL	palmgreen					7W3	palmgreen			
5	997 555 059 01	lining windscreen frame part leather		1	CABRIO/I981	(11)	996 731 032 16	sun visor valid up to: F >>995S7 15752 F >>995S7 40850 leatherette	/R	1	COUPE/I484
	A11	black					A12	black			
	5X6	stone grey					8W4	stone grey			
	8G2	sand beige					7E3	sand beige			
	3S9	sea blue					8Z5	sea blue			
	4P2	palmgreen					7W3	palmgreen			
	9S5	terracotta									

Model	Year	MG	SG	Illustration	Restrictions	Update	13:33	17.11.2005	PORSCHE	PET	PORSCHE
997	06	8	07	807-09		194					

Pos	Part Number	Name	Remarks	Qty	Model	Pos	Part Number	Name	Remarks	Qty	Model
(11)	996 731 031 17	sun visor valid up to: F >>995S7 15752 F >>995S7 40850 leatherette	/L	1	COUPE/I113		7E3	sand beige			
	A12	black					8Z5	sea blue			
	8W4	stone grey					7W3	palmgreen			
	7E3	sand beige				(11)	997 731 031 02	sun visor leatherette valid from: F 995S9 15753>> F 995S9 40851>>	/L 05	1	COUPE/I113
	8Z5	sea blue					A12	black			
	7W3	palmgreen					8W4	stone grey			
(11)	996 731 032 17	sun visor valid up to: F >>995S7 15752 F >>995S7 40850 leatherette	/R	1	COUPE/I113		7E3	sand beige			
	A12	black					8Z5	sea blue			
	8W4	stone grey					7W3	palmgreen			
	7E3	sand beige				(11)	997 731 032 02	sun visor leatherette valid from: F 995S9 15753>> F 995S9 40851>>	/R 05	1	COUPE/I113
	8Z5	sea blue					A12	black			
	7W3	palmgreen					8W4	stone grey			
(11)	997 731 031 01	sun visor leatherette valid from: F 995S9 15753>> F 995S9 40851>>	/L 05	1	COUPE/I484		7E3	sand beige			
	A12	black					8Z5	sea blue			
	8W4	stone grey					7W3	palmgreen			
	7E3	sand beige				(11)	997 731 031 03	sun visor leatherette	/L 06-	1	COUPE/I484
	8Z5	sea blue					A12	black			
	7W3	palmgreen					8W4	stone grey			
							7E3	sand beige			
(11)	997 731 032 01	sun visor leatherette valid from: F 995S9 15753>> F 995S9 40851>>	/R 05	1	COUPE/I484		8Z5	sea blue			
	A12	black					7W3	palmgreen			
	8W4	stone grey				(11)	997 731 032 03	sun visor leatherette	/R 06-	1	COUPE/I484
							A12	black			
							8W4	stone grey			

Model	Year	MG	SG	Illustration	Restrictions	Update	13:33	17.11.2005	PORSCHE	PET	PORSCHE
997	06	8	07	807-09		194					

Pos	Part Number	Name	Remarks	Qty	Model	Pos	Part Number	Name	Remarks	Qty	Model
(11)	997 731 031 04	7E3 sand beige 8Z5 sea blue 7W3 palmgreen sun visor leatherette	/L 06-	1	COUPE/I113	(11)	997 731 982 04	sun visor leather valid up to: F >>995S7 15752 F >>995S7 40850	/R	1	COUPE/ IXMP/484
(11)	997 731 032 04	A12 black 8W4 stone grey 7E3 sand beige 8Z5 sea blue 7W3 palmgreen sun visor leatherette	/R 06-	1	COUPE/I113	(11)	997 731 981 05	sun visor leather valid up to: F >>995S7 15752 F >>995S7 40850	/L	1	COUPE/ IXMP/113
(11)	997 731 981 04	A11 black 5X6 stone grey 8G2 sand beige 3S9 sea blue 4P2 palmgreen 9S5 terracotta 9V6 cocoa D12 dark grey/natural T12 brown/natural sun visor leather valid up to: F >>995S7 15752 F >>995S7 40850	/L	1	COUPE/ IXMP/484	(11)	997 731 982 05	sun visor leather valid up to: F >>995S7 15752 F >>995S7 40850	/R	1	COUPE/ IXMP/113

Model	Year	MG	SG	Illustration	Restrictions	Update	13:33	17.11.2005	PORSCHE	PET	PORSCHE
997	06	8	07	807-09		194					

Pos	Part Number	Name	Remarks	Qty	Model	Pos	Part Number	Name	Remarks	Qty	Model
	5X6	stone grey					9S5	terracotta			
	8G2	sand beige					9V6	cocoa			
	3S9	sea blue					D12	dark grey/natural			
	4P2	palmgreen					T12	brown/natural			
	9S5	terracotta				(11)	997 731 981 02	sun visor	/L	1	COUPE/ IXMP/113
	9V6	cocoa						leather valid from: F 995S7 15753>> F 995S7 40851>>			
	D12	dark grey/natural					A11	black			
	T12	brown/natural					5X6	stone grey			
(11)	997 731 981 01	sun visor	/L 05	1	COUPE/ IXMP/484		8G2	sand beige			
		leather valid from: F 995S7 15753>> F 995S7 40851>>					3S9	sea blue			
	A11	black					4P2	palmgreen			
	5X6	stone grey					9S5	terracotta			
	8G2	sand beige					9V6	cocoa			
	3S9	sea blue					D12	dark grey/natural			
	4P2	palmgreen					T12	brown/natural			
	9S5	terracotta				(11)	997 731 982 02	sun visor	/R	1	COUPE/ IXMP/113
	9V6	cocoa						leather valid from: F 995S7 15753>> F 995S7 40851>>			
	D12	dark grey/natural					A11	black			
	T12	brown/natural					5X6	stone grey			
(11)	997 731 982 01	sun visor	/R	1	COUPE/ IXMP/484		8G2	sand beige			
		leather valid from: F 995S7 15753>> F 995S7 40851>>					3S9	sea blue			
	A11	black					4P2	palmgreen			
	5X6	stone grey					9S5	terracotta			
	8G2	sand beige					9V6	cocoa			
	3S9	sea blue					D12	dark grey/natural			
	4P2	palmgreen					T12	brown/natural			

Model	Year	MG	SG	Illustration	Restrictions	Update	13:33	17.11.2005	PORSCHE	PET	PORSCHE
997	06	8	07	807-09		194					

Pos	Part Number	Name	Remarks	Qty	Model	Pos	Part Number	Name	Remarks	Qty	Model
(11)	997 731 981 09	sun visor leather A11 black 5X6 stone grey 8G2 sand beige 3S9 sea blue 4P2 palmgreen 9S5 terracotta 9V6 cocoa D12 dark grey/natural T12 brown/natural	/L 06-	1	COUPE/ IXMP/484		9S5 terracotta 9V6 cocoa D12 dark grey/natural T12 brown/natural				
(11)	997 731 982 09	sun visor leather A11 black 5X6 stone grey 8G2 sand beige 3S9 sea blue 4P2 palmgreen 9S5 terracotta 9V6 cocoa D12 dark grey/natural T12 brown/natural	/R 06-	1	COUPE/ IXMP/484	(11)	997 731 982 10	sun visor leather A11 black 5X6 stone grey 8G2 sand beige 3S9 sea blue 4P2 palmgreen 9S5 terracotta 9V6 cocoa D12 dark grey/natural T12 brown/natural	/R 06-	1	COUPE/ IXMP/113
(11)	997 731 981 10	sun visor leather A11 black 5X6 stone grey 8G2 sand beige 3S9 sea blue 4P2 palmgreen	/L 06-	1	COUPE/ IXMP/113	(11)	996 731 031 19	sun visor leatherette A12 black 8W4 stone grey 7E3 sand beige 8Z5 sea blue 7W3 nephrite green	/L 05	1	CABRIO/I484
						(11)	996 731 032 19	sun visor leatherette A12 black 8W4 stone grey 7E3 sand beige 8Z5 sea blue 7W3 nephrite green	/R 05	1	CABRIO/I484
						(11)	996 731 031 20	sun visor leatherette	/L 05	1	CABRIO/I113

Model	Year	MG	SG	Illustration	Restrictions	Update	13:33	17.11.2005	PORSCHE	PET	PORSCHE
997	06	8	07	807-09		194					

Pos	Part Number	Name	Remarks	Qty	Model	Pos	Part Number	Name	Remarks	Qty	Model
	A12	black					8Z5	sea blue			
	8W4	stone grey					7W3	palmgreen			
	7E3	sand beige				(11)	997 731 032 06	sun visor leatherette	/R 06-	1	CABRIO/I113
	8Z5	sea blue					A12	black			
	7W3	nephrite green					8W4	stone grey			
(11)	996 731 032 20	sun visor leatherette	/R 05	1	CABRIO/I113		7E3	sand beige			
	A12	black					8Z5	sea blue			
	8W4	stone grey					7W3	palmgreen			
	7E3	sand beige				(11)	997 731 981 07	sun visor leather	/L 05	1	CABRIO/XMP/I484
	8Z5	sea blue					A11	black			
	7W3	nephrite green					5X6	stone grey			
(11)	997 731 031 05	sun visor leatherette	/L 06-	1	CABRIO/I484		8G2	sand beige			
	A12	black					3S9	sea blue			
	8W4	stone grey					4P2	palmgreen			
	7E3	sand beige					9S5	terracotta			
	8Z5	sea blue					9V6	cocoa			
	7W3	palmgreen					D12	dark grey/natural			
(11)	997 731 032 05	sun visor leatherette	/R 06-	1	CABRIO/I484		T12	brown/natural			
	A12	black				(11)	997 731 982 07	sun visor leather	/R 05	1	CABRIO/XMP/I484
	8W4	stone grey					A11	black			
	7E3	sand beige					5X6	stone grey			
	8Z5	sea blue					8G2	sand beige			
	7W3	palmgreen					3S9	sea blue			
(11)	997 731 031 06	sun visor leatherette	/L 06-	1	CABRIO/I113		4P2	palmgreen			
	A12	black					9S5	terracotta			
	8W4	stone grey					9V6	cocoa			
	7E3	sand beige					D12	dark grey/natural			

Model	Year	MG	SG	Illustration	Restrictions	Update	13:33	17.11.2005	PORSCHE	PET	PORSCHE
997	06	8	07	807-09		194					

Pos	Part Number	Name	Remarks	Qty	Model	Pos	Part Number	Name	Remarks	Qty	Model
(11)	997 731 981 08	T12 brown/natural sun visor leather A11 black 5X6 stone grey 8G2 sand beige 3S9 sea blue 4P2 palmgreen 9S5 terracotta 9V6 cocoa D12 dark grey/natural	/L 05	1	CABRIO/ XMP/I113	(11)	997 731 982 11	4P2 palmgreen 9S5 terracotta 9V6 cocoa D12 dark grey/natural T12 brown/natural sun visor leather A11 black 5X6 stone grey 8G2 sand beige 3S9 sea blue 4P2 palmgreen 9S5 terracotta 9V6 cocoa D12 dark grey/natural T12 brown/natural	/R 06-	1	CABRIO/ IXMP/113
(11)	997 731 982 08	T12 brown/natural sun visor leather A11 black 5X6 stone grey 8G2 sand beige 3S9 sea blue 4P2 palmgreen 9S5 terracotta 9V6 cocoa D12 dark grey/natural	/R 05	1	CABRIO/ XMP/I113	(11)	997 731 981 12	4P2 palmgreen 9S5 terracotta 9V6 cocoa D12 dark grey/natural T12 brown/natural sun visor leather A11 black 5X6 stone grey 8G2 sand beige 3S9 sea blue 4P2 palmgreen 9S5 terracotta 9V6 cocoa D12 dark grey/natural T12 brown/natural	/L 06-	1	CABRIO/ IXMP/113
(11)	997 731 981 11	T12 brown/natural sun visor leather A11 black 5X6 stone grey 8G2 sand beige 3S9 sea blue	/L 06-	1	CABRIO/ IXMP/484	(11)	997 731 982 12	4P2 palmgreen 9S5 terracotta 9V6 cocoa D12 dark grey/natural T12 brown/natural sun visor leather	/R 06-	1	CABRIO/ IXMP/113

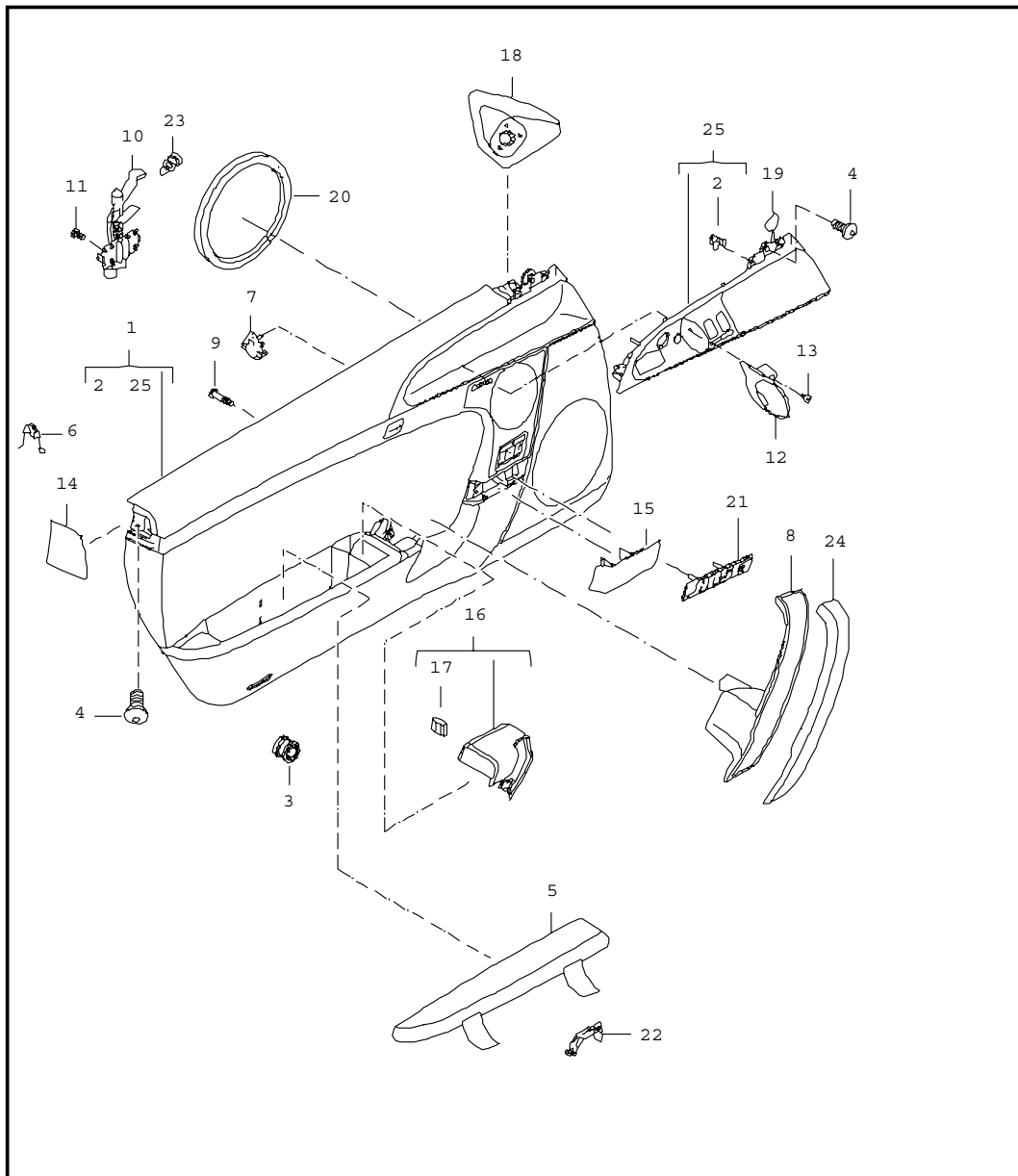
Model	Year	MG	SG	Illustration	Restrictions	Update	13:33	17.11.2005	PORSCHE	PET	PORSCHE
997	06	8	07	807-09		194					

Pos	Part Number	Name	Remarks	Qty	Model	Pos	Part Number	Name	Remarks	Qty	Model
	A11	black				(15)	997 731 461 00	mounting	/L	1	COUPE
	5X6	stone grey					01C	satin black			
	8G2	sand beige				(15)	997 731 462 00	mounting	/R	1	COUPE
	3S9	sea blue					01C	satin black			
	4P2	palmgreen				16	996 731 341 00	support sun visor	/L	1	
	9S5	terracotta					01C	satin black			
	9V6	cocoa				(16)	996 731 342 00	support sun visor	/R	1	
	D12	dark grey/natural					01C	satin black			
	T12	brown/natural									
(12)	996 731 903 01	mirror housing with illumination	-05	1	I484	17	999 919 120 09	oval-head screw 4,0 X 18		1	
	01C	satin black				18	999 073 166 09	countersunk-head screw M 6 X 25		4	CABRIO
(12)	996 731 903 02	mirror housing with illumination	-05	1	I113	18	999 073 139 02	oval-head screw M 5 X 25 valid up to: F >>995S7 15752 F >>995S7 40850		2	COUPE
	01C	satin black									
(12)	997 731 903 00	mirror housing with illumination	06-	1	I484	18	999 073 326 09	oval-head screw M 5 X 10 valid from: F 995S7 15753>> F 995S7 40851>>		2	COUPE
	01C	satin black									
(12)	997 731 903 01	mirror housing with illumination	06-	1	I113	(18)	999 500 093 02	nut M 5		2	COUPE
	01C	satin black				19	997 701 401 07	indication sticker folding top control english		1	CABRIO
13	999 631 147 90	bulb 3 W		4		19	997 701 401 08	indication sticker folding top control french		1	CABRIO
14	996 731 531 01	mirror glass with frame		2		20	996 561 613 00	cover mounting		2	CABRIO
	01C	satin black					01C	satin black			
(15)	996 731 461 00	mounting	/L	1	CABRIO	21	997 555 291 01	deformation element a-pillar	/L	1	CABRIO/I553
	01C	satin black									
15	996 731 462 00	mounting	/R	1	CABRIO	21	997 555 291 01	deformation element a-pillar	/L	1	CABRIO/I072
	01C	satin black									

Model	Year	MG	SG	Illustration	Restrictions	Update						
997	06	8	07	807-09		194	13:33	17.11.2005	PORSCHE	PET	PORSCHE	

Pos	Part Number	Name	Remarks	Qty	Model	Pos	Part Number	Name	Remarks	Qty	Model
(21)	997 555 292 01	deformation element a-pillar	/R	1	CABRIO/I553						
(21)	997 555 292 01	deformation element a-pillar	/R	1	CABRIO/I072						
22	999 190 167 30	blind rivet 4,0 X 6,3		8	I553/072						
23	996 555 619 00	grommet wiring harness rain sensor		1							
		- - - E N D - - -									

Model	Year	MG	SG	Illustration	Restrictions	Update	13:33	17.11.2005	PORSCHE	PET	PORSCHE
997	06	8	07	807-10		194					



Pos	Part Number	Name	Remarks	Qty	Model
1	997 555 201 04	door trim panel accessories	/LL/L	1	COUPE I098/490
		leatherette			
	9L4	black			
	9M5	stone grey			
	9C6	sand beige			
	9D7	sea blue			
	9E8	palmgreen			
1	997 555 201 06	door trim panel	/L	1	COUPE I490/537
		leatherette			
	9L4	black			
	9M5	stone grey			
	9C6	sand beige			
	9D7	sea blue			
	9E8	palmgreen			
(1)	997 555 201 16	door trim panel	/LL/L	1	CABRIO I098/490
		leatherette			
	9L4	black			
	9M5	stone grey			
	9C6	sand beige			
	9D7	sea blue			
	9E8	palmgreen			
(1)	997 555 201 18	door trim panel	/L	1	CABRIO I490/537
		leatherette			
	9L4	black			
	9M5	stone grey			
	9C6	sand beige			
	9D7	sea blue			
	9E8	palmgreen			

Model	Year	MG	SG	Illustration	Restrictions	Update	13:33	17.11.2005	PORSCHE	PET	PORSCHE
997	06	8	07	807-10		194					

Pos	Part Number	Name	Remarks	Qty	Model	Pos	Part Number	Name	Remarks	Qty	Model
(1)	997 555 202 26	door trim panel leatherette	/LL/R	1	I098/490		9L4	black			
		9L4 black					9M5	stone grey			
		9M5 stone grey					9C6	sand beige			
		9C6 sand beige					9D7	sea blue			
		9D7 sea blue					9E8	palmgreen			
		9E8 palmgreen				(1)	997 555 202 28	door trim panel leatherette	/LL/R	1	I098/680
(1)	997 555 201 08	door trim panel leatherette	/LL/L	1	COUPE I098/680		9L4	black			
		9L4 black					9M5	stone grey			
		9M5 stone grey					9C6	sand beige			
		9C6 sand beige					9D7	sea blue			
		9D7 sea blue					9E8	palmgreen			
		9E8 palmgreen				(1)	997 555 201 05	door trim panel leather	/LL/L	1	COUPE I098/490/981
(1)	997 555 201 10	door trim panel leatherette	/L	1	COUPE I537/680		FSA	black/grey			
		9L4 black					FSB	stone grey/stone grey			
		9M5 stone grey					FSC	sand beige/sand beige			
		9C6 sand beige					FSD	seeblue/grey			
		9D7 sea blue					FSE	palm-green/palm-green			
		9E8 palmgreen					FSF	terrakotta/terrakotta			
(1)	997 555 201 20	door trim panel leatherette	/LL/L	1	CABRIO I098/680		FSG	cocoa/cocoa			
		9L4 black					FSH	darkgrey natural/grey			
		9M5 stone grey					FSJ	brown nat./brown nat.			
		9C6 sand beige					BCD	black/stone grey	06-		
		9D7 sea blue					BCE	black/sand beige	06		
		9E8 palmgreen					BCF	black/terracotta	06-		
(1)	997 555 201 22	door trim panel leatherette	/L	1	CABRIO I537/680	(1)	997 555 201 07	door trim panel leather	/L	1	COUPE I490/537/981
							FSA	black/grey			
							FSB	stone grey/stone grey			

Model	Year	MG	SG	Illustration	Restrictions	Update	13:33	17.11.2005	PORSCHE	PET	PORSCHE
997	06	8	07	807-10		194					

Pos	Part Number	Name	Remarks	Qty	Model	Pos	Part Number	Name	Remarks	Qty	Model
		FSC sand beige/sand beige					FSD seeblue/grey				
		FSD seeblue/grey					FSE palm-green/palm-green				
		FSE palm-green/palm-green					FSF terrakotta/terrakotta				
		FSF terrakotta/terrakotta					FSG cocoa/cocoa				
		FSG cocoa/cocoa					FSH darkgrey natural/grey				
		FSH darkgrey natural/grey					FSJ brown nat./brown nat.				
		FSJ brown nat./brown nat.					BCD black/stone grey	06-			
		BCD black/stone grey	06-				BCE black/sand beige	06			
		BCE black/sand beige	06				BCF black/terrakotta	06-			
		BCF black/terrakotta	06-			(1)	997 555 202 27	door trim panel leather	/LL/R	1	I098/490/981
(1)	997 555 201 17	door trim panel leather	/LL/L	1	CABRIO I098/490/981		FSA black/grey				
		FSA black/grey					FSB stone grey/stone grey				
		FSB stone grey/stone grey					FSC sand beige/sand beige				
		FSC sand beige/sand beige					FSD seeblue/grey				
		FSD seeblue/grey					FSE palm-green/palm-green				
		FSE palm-green/palm-green					FSF terrakotta/terrakotta				
		FSF terrakotta/terrakotta					FSG cocoa/cocoa				
		FSG cocoa/cocoa					FSH darkgrey natural/grey				
		FSH darkgrey natural/grey					FSJ brown nat./brown nat.				
		FSJ brown nat./brown nat.					BCD black/stone grey	06-			
		BCD black/stone grey	06-				BCE black/sand beige	06			
		BCE black/sand beige	06				BCF black/terrakotta	06-			
		BCF black/terrakotta	06-			(1)	997 555 201 09	door trim panel leather	/LL/L	1	COUPE I098/680/981
(1)	997 555 201 19	door trim panel leather	/L	1	CABRIO I490/537/981		FSA black/grey				
		FSA black/grey					FSB stone grey/stone grey				
		FSB stone grey/stone grey					FSC sand beige/sand beige				
		FSC sand beige/sand beige					FSD seeblue/grey				
		FSD seeblue/grey					FSE palm-green/palm-green				
		FSE palm-green/palm-green									

Model	Year	MG	SG	Illustration	Restrictions	Update	13:33	17.11.2005	PORSCHE	PET	PORSCHE
997	06	8	07	807-10		194					

Pos	Part Number	Name	Remarks	Qty	Model	Pos	Part Number	Name	Remarks	Qty	Model
		FSF terrakotta/terrakotta						FSG cocoa/cocoa			
		FSG cocoa/cocoa						FSH darkgrey natural/grey			
		FSH darkgrey natural/grey						FSJ brown nat./brown nat.			
		FSJ brown nat./brown nat.						BCD black/stone grey	06-		
		BCD black/stone grey	06-					BCE black/sand beige	06-		
		BCE black/sand beige	06-					BCF black/terraccotta	06-		
		BCF black/terraccotta	06-			(1)	997 555 201 23	door trim panel	/L	1	CABRIO I537/680/981
(1)	997 555 201 11	door trim panel	/L	1	COUPE I537/680/981			leather			
		FSA black/grey						FSA black/grey			
		FSB stone grey/stone grey						FSB stone grey/stone grey			
		FSB stone grey/stone grey						FSC sand beige/sand beige			
		FSC sand beige/sand beige						FSD seeblue/grey			
		FSD seeblue/grey						FSE palm-green/palm-green			
		FSE palm-green/palm-green						FSF terrakotta/terrakotta			
		FSF terrakotta/terrakotta						FSG cocoa/cocoa			
		FSG cocoa/cocoa						FSH darkgrey natural/grey			
		FSH darkgrey natural/grey						FSJ brown nat./brown nat.			
		FSJ brown nat./brown nat.						BCD black/stone grey	06-		
		BCD black/stone grey	06-					BCE black/sand beige	06-		
		BCE black/sand beige	06-					BCF black/terraccotta	06-		
		BCF black/terraccotta	06-			(1)	997 555 202 29	door trim panel	/LL/R	1	I098/680/981
(1)	997 555 201 21	door trim panel	/LL/L	1	CABRIO I098/680/981			leather			
		FSA black/grey						FSA black/grey			
		FSB stone grey/stone grey						FSB stone grey/stone grey			
		FSB stone grey/stone grey						FSC sand beige/sand beige			
		FSC sand beige/sand beige						FSD seeblue/grey			
		FSD seeblue/grey						FSE palm-green/palm-green			
		FSE palm-green/palm-green						FSF terrakotta/terrakotta			
		FSF terrakotta/terrakotta						FSG cocoa/cocoa			
		FSG cocoa/cocoa						FSH darkgrey natural/grey			
		FSH darkgrey natural/grey									

Model	Year	MG	SG	Illustration	Restrictions	Update	13:33	17.11.2005	PORSCHE	PET	PORSCHE
997	06	8	07	807-10		194					

Pos	Part Number	Name	Remarks	Qty	Model	Pos	Part Number	Name	Remarks	Qty	Model
		FSJ brown nat./brown nat.						FSF terrakotta/terrakotta			
		BCD black/stone grey	06-					FSG cocoa/cocoa			
		BCE black/sand beige	06-					FSH darkgrey natural/grey			
		BCF black/terrakotta	06-					FSJ brown nat./brown nat.			
2	999 507 533 02	clamp 8,0X 10/2,5		2		(5)	997 555 989 00	cover shelf carbon	/L	1	XTL
3	955 555 243 00	fixing clip for mount door trim panel		9			A35	black			
4	999 073 322 02	oval-head screw M 6 X 20 for mount door trim panel		5		(5)	997 555 990 00	cover shelf carbon	/R	1	XTL
							A35	black			
5	997 555 221 01	cover shelf leather	/L	1		(5)	997 555 989 01	cover shelf	/L	1	XTU
		FSA black/grey					S62	sycamore wood			
		FSB stone grey/stone grey				(5)	997 555 990 01	cover shelf	/R	1	XTU
		FSC sand beige/sand beige					S62	sycamore wood			
		FSD seeblue/grey				(5)	997 555 989 02	cover shelf	/L	1	XTT
		FSE palm-green/palm-green					S61	makassar			
		FSF terrakotta/terrakotta				(5)	997 555 990 02	cover shelf	/R	1	XTT
		FSG cocoa/cocoa					S61	makassar			
		FSH darkgrey natural/grey				(5)	997 555 989 03	cover shelf	/L	1	XTW
		FSJ brown nat./brown nat.					V04	galvano silver			
(5)	997 555 222 01	cover shelf leather	/R	1		(5)	997 555 990 03	cover shelf	/R	1	XTW
		FSA black/grey					V04	galvano silver			
		FSB stone grey/stone grey				6	997 555 833 00	spring for cover shelf	/L	1	
		FSC sand beige/sand beige									
		FSD seeblue/grey									
		FSE palm-green/palm-green									

Model	Year	MG	SG	Illustration	Restrictions	Update	13:33	17.11.2005	PORSCHE	PET	PORSCHE
997	06	8	07	807-10		194					

Pos	Part Number	Name	Remarks	Qty	Model	Pos	Part Number	Name	Remarks	Qty	Model
(6)	997 555 834 00	spring for cover shelf	/R	1		(10)	997 555 382 01	mounting for shaft	/R	1	
7	997 555 841 00	damper shelf		1		11	999 919 164 09	oval-head screw 5 X 12 for mount mounting for shaft		3	
(8)	997 555 261 01	handle lower part	/L	1		12	997 555 461 00	lever door opener	/L	1	
	A11	black					V05	galvano silver			
	5X6	stone grey				(12)	997 555 462 00	lever door opener	/R	1	
	8G2	sand beige					V05	galvano silver			
	3S9	sea blue				13	999 919 164 09	oval-head screw 5 X 12 for mount lever door opener		1	
	4P2	palmgreen									
	9S5	terracotta				14	997 555 683 00	cap airbag	/L	1	
	9V6	cocoa					A03	black			
	D12	dark grey/natural					5V7	stone grey			
	T12	brown/natural					5Z1	sand beige			
(8)	997 555 262 01	handle lower part	/R	1			8W7	sea blue			
	A11	black					5Y2	palmgreen			
	5X6	stone grey					8X8	terracotta			
	8G2	sand beige					8P9	cocoa			
	3S9	sea blue					T13	brown/natural			
	4P2	palmgreen				(14)	997 555 684 00	cap airbag	/R	1	
	9S5	terracotta					A03	black			
	9V6	cocoa					5V7	stone grey			
	D12	dark grey/natural					5Z1	sand beige			
	T12	brown/natural					8W7	sea blue			
9	999 919 229 02	oval-head screw 6,0 X 40,0 for mount handle		2			5Y2	palmgreen			
10	997 555 381 01	mounting for shaft	/L	1			8X8	terracotta			

Model	Year	MG	SG	Illustration	Restrictions	Update	13:33	17.11.2005	PORSCHE	PET	PORSCHE
997	06	8	07	807-10		194					

Pos	Part Number	Name	Remarks	Qty	Model	Pos	Part Number	Name	Remarks	Qty	Model
15	8P9	cocoa	/L	1		(16)	FSF	terrakotta/terrakotta	/R	1	
	T13	brown/natural					FSG	cocoa/cocoa			
	997 555 643 01	cover front lacquered					FSH	darkgrey natural/grey			
	A03	black					FSJ	brown nat./brown nat.			
	5V7	stone grey					997 555 432 01	cover door handle leather			
	5Z1	sand beige					FSA	black/grey			
	8W7	sea blue					FSB	stone grey/stone grey			
	5Y2	palmgreen					FSC	sand beige/sand beige			
	8X8	terracotta					FSD	seeblue/grey			
	8P9	cocoa					FSE	palm-green/palm-green			
(15)	T13	brown/natural	/R	1		(16)	FSF	terrakotta/terrakotta	/L	1	XTL
	997 555 644 01	cover front lacquered					FSG	cocoa/cocoa			
	A03	black					FSH	darkgrey natural/grey			
	5V7	stone grey					FSJ	brown nat./brown nat.			
	5Z1	sand beige					997 555 991 00	cover door handle carbon			
	8W7	sea blue					A11	black			
	5Y2	palmgreen					5X6	stone grey			
	8X8	terracotta					8G2	sand beige			
	8P9	cocoa					3S9	sea blue			
	T13	brown/natural					4P2	palmgreen			
16	997 555 431 01	cover door handle leather	/L	1		(16)	9S5	terracotta	/R	1	XTL
	FSA	black/grey					9V6	cocoa			
	FSB	stone grey/stone grey					D12	dark grey/natural			
	FSC	sand beige/sand beige					T12	brown/natural			
	FSD	seeblue/grey					997 555 992 00	cover door handle carbon			
	FSE	palm-green/palm-green					A11	black			

Model	Year	MG	SG	Illustration	Restrictions	Update	13:33	17.11.2005	PORSCHE	PET	PORSCHE
997	06	8	07	807-10		194					

Pos	Part Number	Name	Remarks	Qty	Model	Pos	Part Number	Name	Remarks	Qty	Model
	5X6	stone grey					T12	brown/natural			
	8G2	sand beige				(16)	997 555 991 02	cover door handle makassar	/L	1	XTT
	3S9	sea blue					A11	black			
	4P2	palmgreen					5X6	stone grey			
	9S5	terracotta					8G2	sand beige			
	9V6	cocoa					3S9	sea blue			
	D12	dark grey/natural					4P2	palmgreen			
	T12	brown/natural					9S5	terracotta			
(16)	997 555 991 01	cover door handle sycamore wood	/L	1	XTU		9V6	cocoa			
	A11	black					D12	dark grey/natural			
	5X6	stone grey					T12	brown/natural			
	8G2	sand beige				(16)	997 555 992 02	cover door handle makassar	/R	1	XTT
	3S9	sea blue					A11	black			
	4P2	palmgreen					5X6	stone grey			
	9S5	terracotta					8G2	sand beige			
	9V6	cocoa					3S9	sea blue			
	D12	dark grey/natural					4P2	palmgreen			
	T12	brown/natural					9S5	terracotta			
(16)	997 555 992 01	cover door handle sycamore wood	/R	1	XTU		9V6	cocoa			
	A11	black					D12	dark grey/natural			
	5X6	stone grey					T12	brown/natural			
	8G2	sand beige				(16)	997 555 991 03	cover door handle aluminium look	/L	1	XTW
	3S9	sea blue					A11	black			
	4P2	palmgreen					5X6	stone grey			
	9S5	terracotta					8G2	sand beige			
	9V6	cocoa					3S9	sea blue			
	D12	dark grey/natural									

Model	Year	MG	SG	Illustration	Restrictions	Update	13:33	17.11.2005	PORSCHE	PET	PORSCHE
997	06	8	07	807-10		194					

Pos	Part Number	Name	Remarks	Qty	Model	Pos	Part Number	Name	Remarks	Qty	Model
(16)	4P2	palmgreen	/R	1	XTW	(18)	997 555 686 02	cover door mirror passenger's side lacquered	/LL	1	I098
	9S5	terracotta				A03	black				
	9V6	cocoa				5V7	stone grey				
	D12	dark grey/natural				5Z1	sand beige				
	T12	brown/natural				8W7	sea blue				
	997 555 992 03	cover door handle aluminium look				5Y2	palmgreen				
	A11	black				8X8	terracotta				
	5X6	stone grey				8P9	cocoa				
	8G2	sand beige				T13	brown/natural				
	3S9	sea blue				19	997 555 577 00	cap handle liner	1		
	4P2	palmgreen				A03	black				
	9S5	terracotta				5V7	stone grey				
	9V6	cocoa				8W7	sea blue				
	D12	dark grey/natural				5Y2	palmgreen				
	T12	brown/natural				8X8	terracotta				
17	999 591 380 02	cable clamp		4							
18	997 555 685 02	cover door mirror driver's side lacquered	/LL	1	I 098						
	A03	black				19	997 555 577 00	cap handle liner	06-	1	IXTL
	5V7	stone grey					A03	black			
	5Z1	sand beige				19	997 555 577 00	cap handle liner	06-	1	IXTT
	8W7	sea blue					A03	black			
	5Y2	palmgreen				19	997 555 577 00	cap handle liner	06-	1	IXTU
	8X8	terracotta					A03	black			
	8P9	cocoa				19	997 555 577 00	cap handle liner	06-	1	IXTW
	T13	brown/natural					A03	black			

Model	Year	MG	SG	Illustration	Restrictions	Update	13:33	17.11.2005	PORSCHE	PET	PORSCHE
997	06	8	07	807-10		194					

Pos	Part Number	Name	Remarks	Qty	Model	Pos	Part Number	Name	Remarks	Qty	Model
20	997 555 895 00	plastic foam strip for woofer		1			A35	black			
21	997 645 511 00	logo		2	I 680	(24)	997 555 988 00	handle upper part carbon	/R	1	IXTL
22	997 555 597 00	spacer lid hinge		2			A35	black			
23	999 702 281 40	grommet mounting for shaft		1		(24)	997 555 987 01	handle upper part	/L	1	IXTU
24	997 555 271 01	handle upper part	/L	1			S62	sycamore wood			
	FSA	black/grey				(24)	997 555 988 01	handle upper part	/R	1	IXTU
	FSB	stone grey/stone grey					S62	sycamore wood			
	FSC	sand beige/sand beige				(24)	997 555 987 02	handle upper part	/L	1	IXTT
	FSD	seeblue/grey					S61	makassar			
	FSE	palm-green/palm-green				(24)	997 555 988 02	handle upper part	/R	1	IXTT
	FSF	terrakotta/terrakotta					S61	makassar			
	FSG	cocoa/cocoa				(24)	997 555 987 03	handle upper part	/L	1	IXTW
	FSH	darkgrey natural/grey					V04	galvano silver			
	FSJ	brown nat./brown nat.				(24)	997 555 988 03	handle upper part	/R	1	IXTW
(24)	997 555 272 01	handle upper part	/R	1			V04	galvano silver			
	FSA	black/grey				(24)	997 555 988 03	handle upper part	/R	1	IXTW
	FSB	stone grey/stone grey				25	997 555 351 03	insert handle liner lacquered	/LL/L	1	COUPE/I098
	FSC	sand beige/sand beige					A03	black			
	FSD	seeblue/grey					5V7	stone grey			
	FSE	palm-green/palm-green					5Z1	sand beige			
	FSF	terrakotta/terrakotta					8W7	sea blue			
	FSG	cocoa/cocoa					5Y2	palmgreen			
	FSH	darkgrey natural/grey					8X8	terracotta			
	FSJ	brown nat./brown nat.					8P9	cocoa			
(24)	997 555 987 00	handle upper part carbon	/L	1	IXTL		T13	brown/natural			

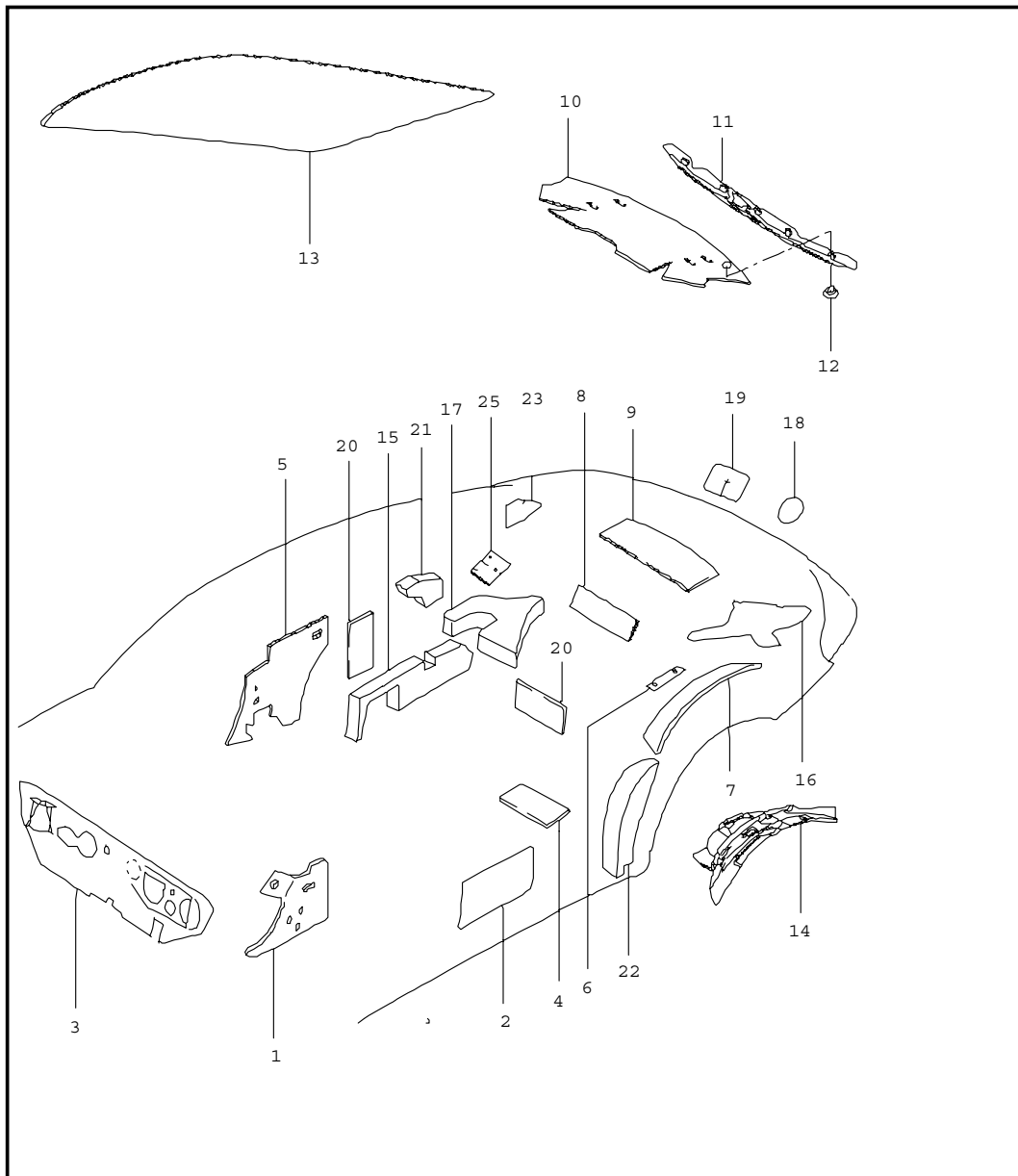
Model	Year	MG	SG	Illustration	Restrictions	Update	13:33	17.11.2005	PORSCHE	PET	PORSCHE
997	06	8	07	807-10		194					

Pos	Part Number	Name	Remarks	Qty	Model	Pos	Part Number	Name	Remarks	Qty	Model
(25)	997 555 351 05	insert handle liner lacquered	/LL/L	1	CABRIO/I098		D12	dark grey/natural			
	A03	black					T12	brown/natural			
	5V7	stone grey				(25)	997 555 985 01	insert	/LL/L	1	CABRIO/ IXTV/098
	5Z1	sand beige						handle liner leather			
	8W7	sea blue					A11	black			
	5Y2	palmgreen					5X6	stone grey			
	8X8	terracotta					8G2	sand beige			
	8P9	cocoa					3S9	sea blue			
	T13	brown/natural					4P2	palmgreen			
(25)	997 555 352 04	insert handle liner lacquered	/LL/R	1	I098		9S5	terracotta			
	A03	black					9V6	cocoa			
	5V7	stone grey					D12	dark grey/natural			
	5Z1	sand beige				(25)	997 555 986 00	insert handle liner leather	/LL/R	1	IXTV/098
	8W7	sea blue					A11	black			
	5Y2	palmgreen					5X6	stone grey			
	8X8	terracotta					8G2	sand beige			
	8P9	cocoa					3S9	sea blue			
	T13	brown/natural					4P2	palmgreen			
25	997 555 985 00	insert handle liner leather	/LL/L	1	COUPE/ IXTV/098		9S5	terracotta			
	A11	black					9V6	cocoa			
	5X6	stone grey					D12	dark grey/natural			
	8G2	sand beige					T12	brown/natural			
	3S9	sea blue				25	997 555 985 03	insert	/LL/L	1	COUPE/ IXTL/098
	4P2	palmgreen						handle liner carbon			
	9S5	terracotta					A35	black			
	9V6	cocoa									

Model	Year	MG	SG	Illustration	Restrictions	Update	13:33	17.11.2005	PORSCHE	PET	PORSCHE
997	06	8	07	807-10		194					

Pos	Part Number	Name	Remarks	Qty	Model	Pos	Part Number	Name	Remarks	Qty	Model
(25)	997 555 985 04	insert handle liner carbon A35 black	/LL/L	1	CABRIO/ IXTL/098	(25)	997 555 986 12	insert handle liner V04 galvano silver - - - E N D - - -	/LL/R	1	IXTW/098
(25)	997 555 986 03	insert handle liner carbon A35 black	/LL/R	1	IXTL/098						
(25)	997 555 985 06	insert handle liner S62 sycamore wood	/LL/L	1	COUPE/ IXTU/098						
(25)	997 555 985 07	insert handle liner S62 sycamore wood	/LL/L	1	CABRIO/ IXTU/098						
(25)	997 555 986 06	insert handle liner S62 sycamore wood	/LL/R	1	IXTU/098						
25	997 555 985 09	insert handle liner S61 makassar	/LL/L	1	COUPE/ IXTT/098						
(25)	997 555 985 10	insert handle liner S61 makassar	/LL/L	1	CABRIO/ IXTT/098						
(25)	997 555 986 09	insert handle liner S61 makassar	/LL/R	1	IXTT/098						
25	997 555 985 12	insert handle liner V04 galvano silver	/LL/L	1	COUPE/ IXTW/098						
(25)	997 555 985 13	insert handle liner V04 galvano silver	/LL/L	1	CABRIO/ IXTW/098						

Model	Year	MG	SG	Illustration	Restrictions	Update	13:33	17.11.2005	PORSCHE	PET	PORSCHE
997	06	8	07	807-15		194					

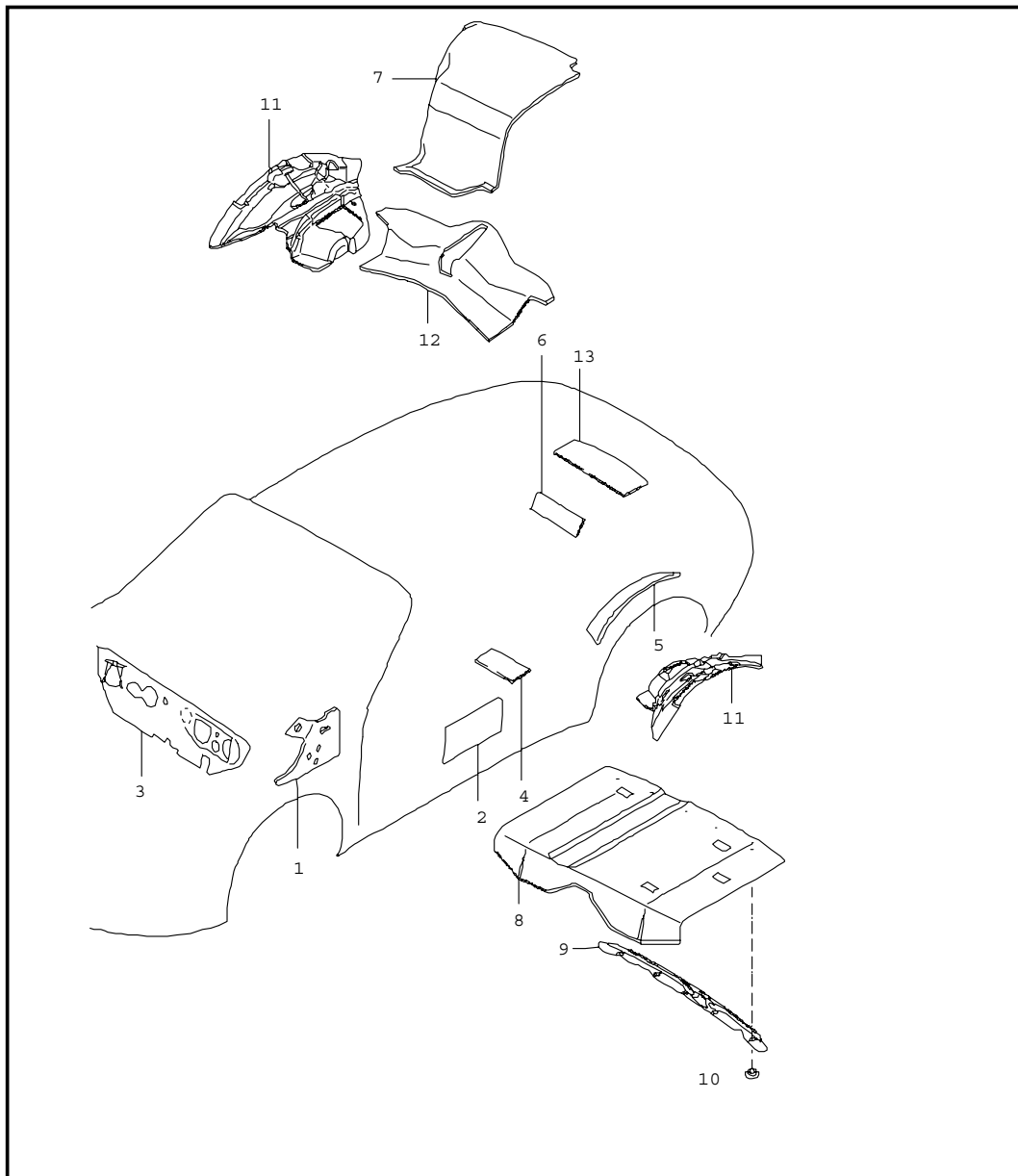


Pos	Part Number	Name	Remarks	Qty	Model
		body sound proofing 1			COUPE
1	997 556 605 00	sound absorber wheel housing front	/L	1	
(1)	997 556 606 00	sound absorber wheel housing front	/R	1	
2	997 556 531 00	insulation door		2	
3	997 556 723 00	sound absorber firewall	/LL	1	I098
4	997 556 503 00	insulation floor		2	
5	997 556 655 00	sound absorber side trim panel	/L	1	
(5)	997 556 656 00	sound absorber side trim panel	/R	1	
6	997 556 523 00	insulation tray		2	
7	997 556 507 00	insulation wheel housing rear	/L	1	
(7)	997 556 508 00	insulation wheel housing rear	/R	1	
8	997 556 511 00	insulation rear wall lower		1	
9	997 556 521 00	insulation rear wall upper		1	
10	997 556 711 01	sound absorber engine compartment		1	
11	996 556 761 01	retaining strip engine compartment		1	
12	999 049 020 40	plastic nut T5/30 X 5,1		5	
13	997 556 647 00	sound absorber roof		1	I652

Model	Year	MG	SG	Illustration	Restrictions	Update	13:33	17.11.2005	PORSCHE	PET	PORSCHE
997	06	8	07	807-15		194					

Pos	Part Number	Name	Remarks	Qty	Model	Pos	Part Number	Name	Remarks	Qty	Model
14	997 556 657 00	sound absorber wheel-housing liner rear	/L	1		(25)	997 556 614 00	sound absorber mounting spring strut	/R	1	
(14)	997 556 658 00	sound absorber wheel-housing liner rear	/R	1				- - - E N D - - -			
15	997 556 571 01	sound absorber side trim panel		2							
16	996 556 753 01	seal side section upper	/L	1							
(16)	996 556 754 01	seal side section upper	/R	1							
17	997 556 811 01	filler piece wheel housing	/L	1							
(17)	997 556 812 01	filler piece wheel housing	/R	1							
18	997 556 807 00	sound absorber 40,0 end plate rear end		2							
19	997 556 805 00	sound absorber 120 X 90 end plate rear end		1							
20	997 556 801 00	sound absorber seat well		4							
21	997 556 803 00	filler piece seat well		2							
22	997 556 513 00	sound absorber b-pillar	-05	2							
22	997 556 513 02	sound absorber b-pillar	06-	2							
23	997 556 619 00	sound absorber air duct	/L	1							
(23)	997 556 620 00	sound absorber air duct	/R	1							
25	997 556 613 00	sound absorber mounting spring strut	/L	1							

Model	Year	MG	SG	Illustration	Restrictions	Update	13:33	17.11.2005	PORSCHE	PET	PORSCHE
997	06	8	07	807-16		194					

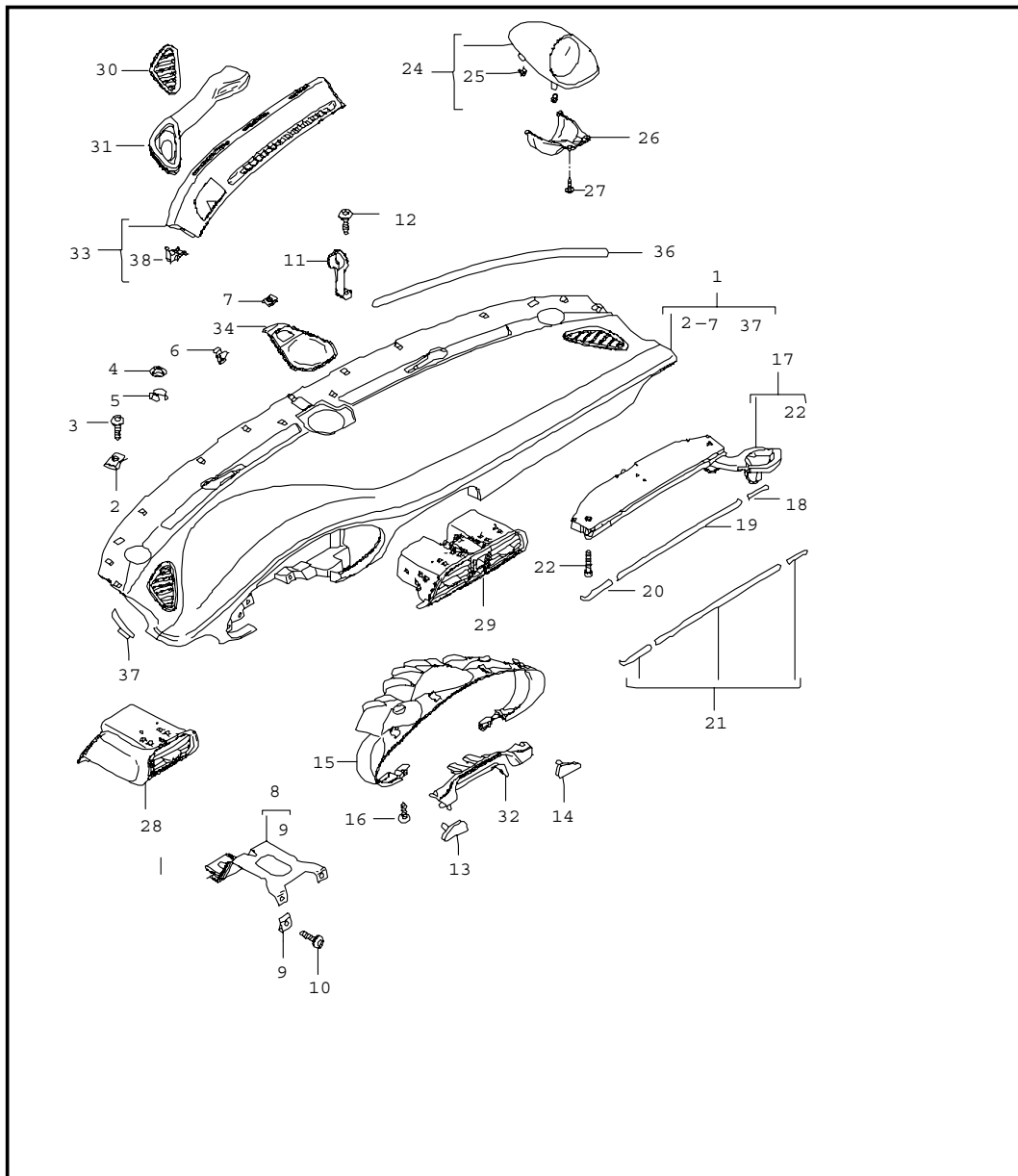


Pos	Part Number	Name	Remarks	Qty	Model
1	997 556 605 00	body sound proofing 1			CABRIO
		sound absorber wheel housing front	/L	1	
(1)	997 556 606 00	sound absorber wheel housing front	/R	1	
2	997 556 531 00	insulation door		2	
3	997 556 723 00	sound absorber firewall	/LL	1	I098
4	997 556 503 00	insulation floor		2	
5	997 556 507 01	insulation wheel housing rear	/L	1	
(5)	997 556 508 01	insulation wheel housing rear	/R	1	
6	997 556 511 00	insulation rear wall lower		1	
(7)	997 556 611 00	sound absorber convertible top tray	/L	1	
7	997 556 612 00	sound absorber convertible top tray	/R	1	
8	997 556 711 01	sound absorber engine compartment		1	
9	996 556 761 01	retaining strip engine compartment		1	
10	999 049 020 40	plastic nut T5/30 X 5,1		5	
(11)	997 556 657 01	sound absorber wheel-housing liner rear	/L	1	
11	997 556 658 01	sound absorber wheel-housing liner rear	/R	1	

Model	Year	MG	SG	Illustration	Restrictions	Update					
997	06	8	07	807-16		194	13:33	17.11.2005	PORSCHE	PET	PORSCHE

Pos	Part Number	Name	Remarks	Qty	Model	Pos	Part Number	Name	Remarks	Qty	Model
12	997 556 653 00	sound absorber control units		1							
13	997 556 521 00	insulation rear wall upper		1							
14	N 997 556 634 00	sound absorber subwoofer		1	I680						
		- - - E N D - - -									

Model	Year	MG	SG	Illustration	Restrictions	Update	13:34	17.11.2005	PORSCHE	PET	PORSCHE
997	06	8	09	809-00		194					



Pos	Part Number	Name	Remarks	Qty	Model
1	997 552 101 06	dashboard trim upper part with accessories		1	I098
	9L4	black	/LL		
	9M5	stone grey			
	9C6	sand beige			
	9D7	sea blue			
	9E8	palmgreen			
1	997 552 101 08	dashboard upper part leatherette	/LL	1	I098/639/640
	9L4	black			
	9M5	stone grey			
	9C6	sand beige			
	9D7	sea blue			
	9E8	palmgreen			
1	997 552 101 03	dashboard upper part leather	/LL -05	1	I098/981
	FSA	black/grey			
	FSB	stone grey/stone grey			
	FSC	sand beige/sand beige			
	FSD	seeblue/grey			
	FSE	palm-green/palm-green			
	FSF	terrakotta/terrakotta			
	FSG	cocoa/cocoa			
	FSH	darkgrey natural/grey			
	FSJ	brown nat./brown nat.			
1	997 552 101 07	dashboard upper part leather	/LL 06-	1	I098/981

Model	Year	MG	SG	Illustration	Restrictions	Update	13:34	17.11.2005	PORSCHE	PET	PORSCHE
997	06	8	09	809-00		194					

Pos	Part Number	Name	Remarks	Qty	Model	Pos	Part Number	Name	Remarks	Qty	Model
	FSA	black/grey				5	999 507 573 02	clamp 6,7 - 8,1 for mount dashboard		X	
	FSB	stone grey/stone grey									
	FSC	sand beige/sand beige									
	FSD	seeblue/grey				6	999 507 732 01	clamp 8,0 X 12,0 /4,0 for mount dashboard		X	
	FSE	palm-green/palm-green									
	FSF	terrakotta/terrakotta									
	FSG	cocoa/cocoa				7	999 507 020 02	speed nut ST 4,2 for mount dashboard		X	
	FSH	darkgrey natural/grey									
	FSJ	brown nat./brown nat.									
1	997 552 101 09	dashboard upper part leather	/LL	1	I639/640/981	8	997 552 617 01	support dashboard driver's side		1	
	FSA	black/grey				9	999 507 020 02	speed nut ST 4,2		2	
	FSB	stone grey/stone grey									
	FSC	sand beige/sand beige				10	999 073 155 09	tapping screw ST 4,2 X 13		2	
	FSD	seeblue/grey									
	FSE	palm-green/palm-green				11	997 552 673 00	cover defroster trim		2	
	FSF	terrakotta/terrakotta				12	999 073 226 09	tapping screw ST 4,2 X 16		2	
	FSG	cocoa/cocoa				13	997 552 381 01	moulding driver's side outer	/LL	1	CARRERA
	FSH	darkgrey natural/grey									
	FSJ	brown nat./brown nat.									
2	999 507 971 01	speed nut ST 4,2 for mount dashboard		X		13	997 552 381 02	moulding driver's side outer	/LL	1	CARRERA S
								V04 galvano silver			
3	999 073 155 09	tapping screw ST 4,2 X 13 for mount dashboard		X		13	997 552 381 03	moulding driver's side outer	/LL	1	I801
								S61 makassar			
4	999 507 106 02	clamping washer 8,0 for mount dashboard		X		13	997 552 381 04	moulding driver's side outer	/LL	1	I802
								S62 sycamore wood			

Model	Year	MG	SG	Illustration	Restrictions	Update	13:34	17.11.2005	PORSCHE	PET	PORSCHE
997	06	8	09	809-00		194					

Pos	Part Number	Name	Remarks	Qty	Model	Pos	Part Number	Name	Remarks	Qty	Model
13	997 552 381 05	moulding driver's side outer	/LL	1	I803	14	997 552 987 00	moulding driver's side centre	/LL	1	IXVP
	A35	black					A11	black			
13	997 552 986 00	moulding driver's side outer	/LL	1	IXVP		5X6	stone grey			
	A11	black					8G2	sand beige			
	5X6	stone grey					3S9	sea blue			
	8G2	sand beige					4P2	palmgreen			
	3S9	sea blue					9S5	terracotta			
	4P2	palmgreen					9V6	cocoa			
	9S5	terracotta					D12	dark grey/natural			
	9V6	cocoa				15	997 552 325 01	cover instrument cluster	/LL	1	
	D12	dark grey/natural					A03	black			
	T12	brown/natural					5V7	stone grey			
14	997 552 383 01	moulding driver's side centre	/LL	1	CARRERA		5Z1	sand beige			
	D07	volcano grey					8W7	sea blue			
14	997 552 383 02	moulding driver's side centre	/LL	1	CARRERA S		5Y2	palmgreen			
	V04	galvano silver					8X8	terracotta			
14	997 552 383 03	moulding driver's side centre	/LL	1	I801		8P9	cocoa			
	S61	makassar					T13	brown/natural			
14	997 552 383 04	moulding driver's side centre	/LL	1	I802	15	997 552 989 00	cover instrument cluster	/LL	1	IXNG
	S62	sycamore wood					A11	black			
14	997 552 383 05	moulding driver's side centre	/LL	1	I803		5X6	stone grey			
	A35	black					8G2	sand beige			
							3S9	sea blue			
							4P2	palmgreen			
							9S5	terracotta			
							9V6	cocoa			

Model	Year	MG	SG	Illustration	Restrictions	Update	13:34	17.11.2005	PORSCHE	PET	PORSCHE
997	06	8	09	809-00		194					

Pos	Part Number	Name	Remarks	Qty	Model	Pos	Part Number	Name	Remarks	Qty	Model
	D12	dark grey/natural				(17)	997 552 988 00	support beverages with position 18/19/20	/LL	1	IXVP
	T12	brown/natural									
15	997 552 989 02	cover instrument cluster	/LL	1	IXCL		A11	black			
	V04	galvano silver					5X6	stone grey			
16	999 073 155 09	tapping screw ST 4,2 X 13		2			8G2	sand beige			
17	997 552 294 00	support beverages without position 18/19/20	/LL	1	I098		3S9	sea blue			
							4P2	palmgreen			
(17)	997 552 174 01	support beverages with position 18/19/20	/LL	1	CARRERA		9S5	terracotta			
	D07	volcano grey					9V6	cocoa			
(17)	997 552 174 02	support beverages with position 18/19/20	/LL	1	CARRERA S	18	997 552 394 01	cover	/LL/R	1	CARRERA
	V04	galvano silver					D07	volcano grey			
						18	997 552 394 02	cover	/LL/R	1	CARRERA S
(17)	997 552 174 03	support with position 18/19/20	/LL	1	I801		V04	galvano silver			
	S61	makassar				18	997 552 396 05	cover	/LL/R	1	I803
(17)	997 552 174 04	support with position 18/19/20	/LL	1	I802		A35	black			
	S62	sycamore wood				18	997 552 993 00	cover	/LL/R	1	IXVP
(17)	997 552 174 05	support beverages with position 18/19/20	/LL	1	I803		A11	black			
	A35	black					5X6	stone grey			
							8G2	sand beige			
							3S9	sea blue			
							4P2	palmgreen			
							9S5	terracotta			
							9V6	cocoa			
							D12	dark grey/natural			
							T12	brown/natural			
						19	997 552 398 00	cover centre	/LL	1	CARRERA

Model	Year	MG	SG	Illustration	Restrictions	Update	13:34	17.11.2005	PORSCHE	PET	PORSCHE
997	06	8	09	809-00		194					

Pos	Part Number	Name	Remarks	Qty	Model	Pos	Part Number	Name	Remarks	Qty	Model
	D07	volcano grey					9V6	cocoa			
19	997 552 398 01	cover centre	/LL	1	CARRERA S		D12	dark grey/natural			
	V04	galvano silver					T12	brown/natural			
19	997 552 398 04	cover centre	/LL	1	I803	21	997 552 904 00	set cover wood	/LL	1	I098/801
	A35	black					S61	makassar			
19	997 552 994 00	cover centre	/LL	1	IXVP	21	997 552 904 01	set cover wood	/LL	1	I098/802
	A11	black					S62	sycamore wood			
	5X6	stone grey				22	900 067 416 01	pan-head screw M5 x 27 4,2		2	
	8G2	sand beige				24	997 552 371 00	air box upper part		1	I639/640
	3S9	sea blue					A03	black			
	4P2	palmgreen					5V7	stone grey			
	9S5	terracotta					5Z1	sand beige			
	9V6	cocoa					8W7	sea blue			
	D12	dark grey/natural					5Y2	palmgreen			
	T12	brown/natural				20	997 552 396 01	cover	/LL/L	1	CARRERA
20	997 552 396 01	cover	/LL/L	1	CARRERA	(24)	997 552 371 01	air box upper part		1	I639/640/981
	D07	volcano grey					A11	black			
20	997 552 396 02	cover	/LL/L	1	CARRERA S		5X6	stone grey			
	V04	galvano silver					8G2	sand beige			
20	997 552 394 05	cover	/LL/L	1	I803		3S9	sea blue			
	A35	black					4P2	palmgreen			
20	997 552 992 00	cover	/LL/L	1	IXVP		9S5	terracotta			
	A11	black					9V6	cocoa			
	5X6	stone grey					D12	dark grey/natural			
	8G2	sand beige					T12	brown/natural			
	3S9	sea blue				25	999 507 920 01	u-clamp 1,7-2,1		4	I639/640
	4P2	palmgreen									
	9S5	terracotta									

Model	Year	MG	SG	Illustration	Restrictions	Update	13:34	17.11.2005	PORSCHE	PET	PORSCHE
997	06	8	09	809-00		194					

Pos	Part Number	Name	Remarks	Qty	Model	Pos	Part Number	Name	Remarks	Qty	Model
26	997 552 373 01	support for air box upper part		1	I639/640		9V6	cocoa			
							D12	dark grey/natural			
							T12	brown/natural			
27	999 919 167 09	oval-head screw 3,0 X 10 for mount support air box		4		(28)	997 552 982 00	side vent	/R	1	IXN3
							A11	black			
							5X6	stone grey			
28	997 552 131 01	side vent	/L -05	1	CARRERA		8G2	sand beige			
	D07	volcano grey					3S9	sea blue			
28	997 552 131 03	side vent	/L 06-	1	CARRERA		4P2	palmgreen			
	D07	volcano grey					9S5	terracotta			
(28)	997 552 132 01	side vent	/R -05	1	CARRERA		9V6	cocoa			
	D07	volcano grey					D12	dark grey/natural			
(28)	997 552 132 03	side vent	/R 06-	1	CARRERA		T12	brown/natural			
	D07	volcano grey				28	997 552 981 01	side vent	/L	1	IXKD
28	997 552 131 02	side vent	/L -05	1	CARRERA S		A11	black			
	V04	galvano silver					5X6	stone grey			
28	997 552 131 04	side vent	/L 06-	1	CARRERA S		8G2	sand beige			
	V04	galvano silver					3S9	sea blue			
(28)	997 552 132 02	side vent	/R -05	1	CARRERA S		4P2	palmgreen			
	V04	galvano silver					9S5	terracotta			
(28)	997 552 132 04	side vent	/R 06-	1	CARRERA S		9V6	cocoa			
	V04	galvano silver					D12	dark grey/natural			
28	997 552 981 00	side vent	/L	1	IXN3		T12	brown/natural			
	A11	black				(28)	997 552 982 01	side vent	/R	1	IXKD
	5X6	stone grey					A11	black			
	8G2	sand beige					5X6	stone grey			
	3S9	sea blue					8G2	sand beige			
	4P2	palmgreen					3S9	sea blue			
	9S5	terracotta					4P2	palmgreen			

Model	Year	MG	SG	Illustration	Restrictions	Update	13:34	17.11.2005	PORSCHE	PET	PORSCHE
997	06	8	09	809-00		194					

Pos	Part Number	Name	Remarks	Qty	Model	Pos	Part Number	Name	Remarks	Qty	Model
		9S5 terracotta						4P2 palmgreen			
		9V6 cocoa						9S5 terracotta			
		D12 dark grey/natural						9V6 cocoa			
		T12 brown/natural						D12 dark grey/natural			
28	997 552 981 02	side vent	/L	1	IXJM			T12 brown/natural			
		A11 black				(28)	997 552 982 03	side vent	/R	1	IXJL
		5X6 stone grey						A11 black			
		8G2 sand beige						5X6 stone grey			
		3S9 sea blue						8G2 sand beige			
		4P2 palmgreen						3S9 sea blue			
		9S5 terracotta						4P2 palmgreen			
		9V6 cocoa						9S5 terracotta			
		D12 dark grey/natural						9V6 cocoa			
		T12 brown/natural						D12 dark grey/natural			
(28)	997 552 982 02	side vent	/R	1	IXJM			D12 dark grey/natural			
		A11 black				28	997 552 981 04	side vent	/L	1	IXCN
		5X6 stone grey						A11 black			
		8G2 sand beige						5X6 stone grey			
		3S9 sea blue						8G2 sand beige			
		4P2 palmgreen						3S9 sea blue			
		9S5 terracotta						4P2 palmgreen			
		9V6 cocoa						9S5 terracotta			
		D12 dark grey/natural						9V6 cocoa			
		T12 brown/natural						D12 dark grey/natural			
28	997 552 981 03	side vent	/L	1	IXJL			D12 dark grey/natural			
		A11 black				(28)	997 552 982 04	side vent	/R	1	IXCN
		5X6 stone grey						A11 black			
		8G2 sand beige						5X6 stone grey			
		3S9 sea blue						8G2 sand beige			

Model	Year	MG	SG	Illustration	Restrictions	Update	13:34	17.11.2005	PORSCHE	PET	PORSCHE
997	06	8	09	809-00		194					

Pos	Part Number	Name	Remarks	Qty	Model	Pos	Part Number	Name	Remarks	Qty	Model
	3S9	sea blue					4P2	palmgreen			
	4P2	palmgreen					9S5	terracotta			
	9S5	terracotta					9V6	cocoa			
	9V6	cocoa					D12	dark grey/natural			
	D12	dark grey/natural					T12	brown/natural			
	T12	brown/natural				(29)	997 552 980 02	centre nozzle		1	IXJP
29	997 552 141 01	centre nozzle	-05	1	CARRERA		A11	black			
	D07	volcano grey					5X6	stone grey			
29	997 552 141 03	centre nozzle	06-	1	CARRERA		8G2	sand beige			
	D07	volcano grey					3S9	sea blue			
(29)	997 552 141 02	centre nozzle	-05	1	CARRERA S		4P2	palmgreen			
	V04	galvano silver					9S5	terracotta			
(29)	997 552 141 04	centre nozzle	06-	1	CARRERA S		9V6	cocoa			
	V04	galvano silver					D12	dark grey/natural			
(29)	997 552 980 00	centre nozzle		1	IXVM		T12	brown/natural			
	A11	black				(29)	997 552 980 03	centre nozzle		1	IXJN
	5X6	stone grey					A11	black			
	8G2	sand beige					5X6	stone grey			
	3S9	sea blue					8G2	sand beige			
	4P2	palmgreen					3S9	sea blue			
	9S5	terracotta					4P2	palmgreen			
	9V6	cocoa					9S5	terracotta			
	D12	dark grey/natural					9V6	cocoa			
	T12	brown/natural					D12	dark grey/natural			
(29)	997 552 980 01	centre nozzle		1	IXZB		T12	brown/natural			
	A11	black				(29)	997 552 980 04	centre nozzle		1	IXCY
	5X6	stone grey					A11	black			
	8G2	sand beige					5X6	stone grey			
	3S9	sea blue					8G2	sand beige			

Model	Year	MG	SG	Illustration	Restrictions	Update	13:34	17.11.2005	PORSCHE	PET	PORSCHE
997	06	8	09	809-00		194					

Pos	Part Number	Name	Remarks	Qty	Model	Pos	Part Number	Name	Remarks	Qty	Model
	3S9	sea blue					A03	black			
	4P2	palmgreen					5V7	stone grey			
	9S5	terracotta					5Z1	sand beige			
	9V6	cocoa					8W7	sea blue			
	D12	dark grey/natural					5Y2	palmgreen			
	T12	brown/natural					8X8	terracotta			
30	997 552 455 01	cover defroster vent	/L	1			8P9	cocoa			
	A03	black					T13	brown/natural			
	5V7	stone grey				32	997 552 978 00	bridge leather	06-	1	IXNS
	5Z1	sand beige					A11	black			
	8W7	sea blue					5X6	stone grey			
	5Y2	palmgreen					8G2	sand beige			
	8X8	terracotta					3S9	sea blue			
	8P9	cocoa					4P2	palmgreen			
	T13	brown/natural					9S5	terracotta			
(30)	997 552 456 01	cover defroster vent	/R	1			9V6	cocoa			
	A03	black					D12	dark grey/natural			
	5V7	stone grey					T12	brown/natural			
	5Z1	sand beige				33	997 552 175 01	defroster trim	/L	1	
	8W7	sea blue					A03	black			
	5Y2	palmgreen					5V7	stone grey			
	8X8	terracotta					5Z1	sand beige			
	8P9	cocoa					8W7	sea blue			
	T13	brown/natural					5Y2	palmgreen			
31	997 552 315 01	air duct lateral	/L	1			8X8	terracotta			
(31)	997 552 316 01	air duct lateral	/R	1			8P9	cocoa			
32	997 552 271 01	bridge		1		(33)	997 552 176 01	defroster trim	/R	1	
							A03	black			

Model	Year	MG	SG	Illustration	Restrictions	Update	13:34	17.11.2005	PORSCHE	PET	PORSCHE
997	06	8	09	809-00		194					

Pos	Part Number	Name	Remarks	Qty	Model	Pos	Part Number	Name	Remarks	Qty	Model
	5V7	stone grey					5X6	stone grey			
	5Z1	sand beige					8G2	sand beige			
	8W7	sea blue					3S9	sea blue			
	5Y2	palmgreen					4P2	palmgreen			
	8X8	terracotta					9S5	terracotta			
	8P9	cocoa					9V6	cocoa			
	T13	brown/natural					D12	dark grey/natural			
33	997 552 983 00	defroster trim	/L	1	IXV1		T12	brown/natural			
	A11	black				(33)	997 552 984 01	defroster trim	/R	1	IXKJ
	5X6	stone grey					A11	black			
	8G2	sand beige					5X6	stone grey			
	3S9	sea blue					8G2	sand beige			
	4P2	palmgreen					3S9	sea blue			
	9S5	terracotta					4P2	palmgreen			
	9V6	cocoa					9S5	terracotta			
	D12	dark grey/natural					9V6	cocoa			
	T12	brown/natural					D12	dark grey/natural			
(33)	997 552 984 00	defroster trim	/R	1	IXV1		T12	brown/natural			
	A11	black				33	997 552 983 02	defroster trim	/L	1	IXJS
	5X6	stone grey					A11	black			
	8G2	sand beige					5X6	stone grey			
	3S9	sea blue					8G2	sand beige			
	4P2	palmgreen					3S9	sea blue			
	9S5	terracotta					4P2	palmgreen			
	9V6	cocoa					9S5	terracotta			
	D12	dark grey/natural					9V6	cocoa			
	T12	brown/natural					D12	dark grey/natural			
33	997 552 983 01	defroster trim	/L	1	IXKJ		T12	brown/natural			
	A11	black				(33)	997 552 984 02	defroster trim	/R	1	IXJS

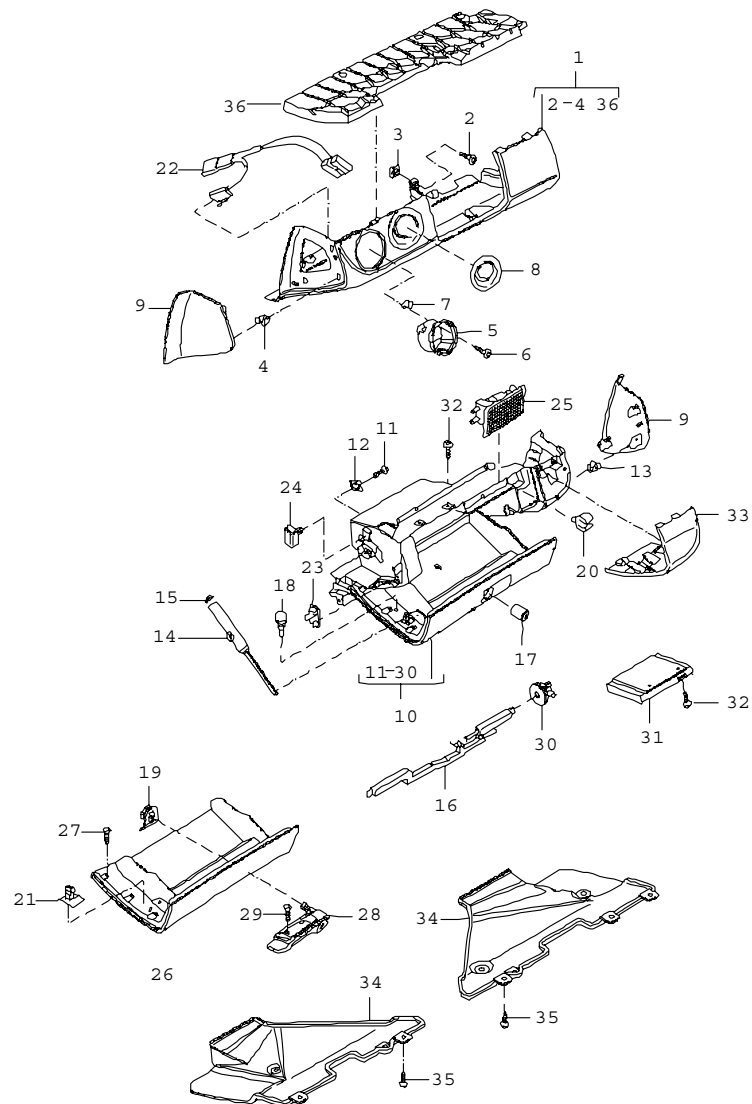
Model	Year	MG	SG	Illustration	Restrictions	Update					
997	06	8	09	809-00		194	13:34	17.11.2005	PORSCHE	PET	PORSCHE

Pos	Part Number	Name	Remarks	Qty	Model	Pos	Part Number	Name	Remarks	Qty	Model
	A11	black				34	997 552 351 01	cover centre		1	
	5X6	stone grey					A03	black			
	8G2	sand beige					5V7	stone grey			
	3S9	sea blue					5Z1	sand beige			
	4P2	palmgreen					8W7	sea blue			
	9S5	terracotta					5Y2	palmgreen			
	9V6	cocoa					8X8	terracotta			
	D12	dark grey/natural					8P9	cocoa			
	T12	brown/natural					T13	brown/natural			
33	997 552 983 03	defroster trim	/L	1	IXJR	(34)	997 552 985 00	cover centre		1	IXV1
	A11	black					A11	black			
	5X6	stone grey					5X6	stone grey			
	8G2	sand beige					8G2	sand beige			
	3S9	sea blue					3S9	sea blue			
	4P2	palmgreen					4P2	palmgreen			
	9S5	terracotta					9S5	terracotta			
	9V6	cocoa					9V6	cocoa			
	D12	dark grey/natural					D12	dark grey/natural			
	T12	brown/natural					T12	brown/natural			
(33)	997 552 984 03	defroster trim	/R	1	IXJR	(34)	997 552 985 00	cover centre		1	IXKJ
	A11	black					A11	black			
	5X6	stone grey					5X6	stone grey			
	8G2	sand beige					8G2	sand beige			
	3S9	sea blue					3S9	sea blue			
	4P2	palmgreen					4P2	palmgreen			
	9S5	terracotta					9S5	terracotta			
	9V6	cocoa					9V6	cocoa			
	D12	dark grey/natural					D12	dark grey/natural			
	T12	brown/natural					D12	dark grey/natural			

Model	Year	MG	SG	Illustration	Restrictions	Update				PORSCHE	PET	PORSCHE
997	06	8	09	809-00		194	13:34	17.11.2005				

Pos	Part Number	Name	Remarks	Qty	Model	Pos	Part Number	Name	Remarks	Qty	Model
		T12 brown/natural									
(34)	997 552 985 00	cover centre		1	IXJS						
		A11 black									
		5X6 stone grey									
		8G2 sand beige									
		3S9 sea blue									
		4P2 palmgreen									
		9S5 terracotta									
		9V6 cocoa									
		D12 dark grey/natural									
		T12 brown/natural									
(34)	997 552 985 00	cover centre		1	IXJR						
		A11 black									
		5X6 stone grey									
		8G2 sand beige									
		3S9 sea blue									
		4P2 palmgreen									
		9S5 terracotta									
		9V6 cocoa									
		D12 dark grey/natural									
		T12 brown/natural									
36	997 552 645 00	gasket cowl		1							
37	997 552 481 00	insert a-pillar	/L	1							
(37)	997 552 482 00	insert a-pillar	/R	1							
38	999 591 307 01	u-clamp mount defroster trim		2							
		- - - E N D - - -									

Model	Year	MG	SG	Illustration	Restrictions	Update	13:34	17.11.2005	PORSCHE	PET	PORSCHE
997	06	8	09	809-03		194					



Pos	Part Number	Name	Remarks	Qty	Model
1	997 552 201 02	glove compartment cover and lining driver's side leatherette	/LL	1	I098
	1MZ	black			
	1YP	stone grey			
	1TK	sand beige			
	1VM	sea blue			
	1UL	palmgreen			
1	997 552 201 03	lining leather	/LL	1	I098/981
	A11	black			
	5X6	stone grey			
	8G2	sand beige			
	3S9	sea blue			
	4P2	palmgreen			
	9S5	terracotta			
	9V6	cocoa			
	D12	dark grey/natural			
	T12	brown/natural			
2	999 073 155 09	tapping screw 4,2 X 13 for mount lining		8	
3	999 507 971 01	speed nut 4,2 for mount lining		8	
4	999 507 732 01	clamp 8 X 12/ 4 for mount lining		7	

Model	Year	MG	SG	Illustration	Restrictions	Update	13:34	17.11.2005	PORSCHE	PET	PORSCHE
997	06	8	09	809-03		194					

Pos	Part Number	Name	Remarks	Qty	Model	Pos	Part Number	Name	Remarks	Qty	Model
5	997 552 427 01	cover light switch		1			5Z1	sand beige			
	A03	black					8W7	sea blue			
	5V7	stone grey					5Y2	palmgreen			
	5Z1	sand beige					8X8	terracotta			
	8W7	sea blue					8P9	cocoa			
	5Y2	palmgreen					T13	brown/natural			
	8X8	terracotta				(9)	997 552 406 02	cover lateral driver's side	/R	1	
	8P9	cocoa					A03	black			
	T13	brown/natural					5V7	stone grey			
6	999 073 155 09	tapping screw 4,2 X 13 for mount cover light switch		3			5Z1	sand beige			
							8W7	sea blue			
							5Y2	palmgreen			
7	999 507 971 01	speed nut 4,2 for mount cover light switch		3			8X8	terracotta			
							8P9	cocoa			
							T13	brown/natural			
8	997 552 425 01	cover ignition starter lock	/LL	1	I098	10	997 552 204 02	glove compartment leatherette complete	/LL 05	1	I098
	A03	black					1MZ	black			
	5V7	stone grey					1YP	stone grey			
	5Z1	sand beige					1TK	sand beige			
	8W7	sea blue					1VM	sea blue			
	5Y2	palmgreen					1UL	palmgreen			
	8X8	terracotta				10 N	997 552 204 04	glove compartment leatherette complete	/LL 06-	1	I098
	8P9	cocoa					1MZ	black			
	T13	brown/natural					1YP	stone grey			
9	997 552 405 02	cover	/L	1			1TK	sand beige			
	A03	black					1VM	sea blue			
	5V7	stone grey									

Model	Year	MG	SG	Illustration	Restrictions	Update	13:34	17.11.2005	PORSCHE	PET	PORSCHE
997	06	8	09	809-03		194					

Pos	Part Number	Name	Remarks	Qty	Model	Pos	Part Number	Name	Remarks	Qty	Model
	1UL	palmgreen				13	999 507 732 01	clamp 8 X 12 /4 for mount glove compartment		X	
10	997 552 204 03	glove compartment leather complete	/LL 05	1	I098/981	14	997 552 484 01	damper glove compartment		1	
	A11	black				15	997 552 612 00	cover damper		1	
	5X6	stone grey				16	997 552 410 01	release glove compartment	/LL	1	I098
	8G2	sand beige				17	996 552 915 00	lock cylinder glove compartment state lock number		1	
	3S9	sea blue				18	997 555 533 01	stop glove compartment F >>996S7 00479 F >>996S7 30971 F >>996S7 60450		2	
	4P2	palmgreen				18	N 999 703 068 40	buffer 3,7 x 10,3 glove compartment F 996S7 00480>> F 996S7 30972>> F 996S7 60451>>		2	
10	N 997 552 204 05	glove compartment leather complete	/LL 06-	1	I098/981	19	997 552 509 02	mounting end plate	/LL/L	1	I098
	A11	black				(19)	997 552 510 02	mounting end plate	/LL/R	1	I098
	5X6	stone grey				20	996 552 813 00	support pin		2	
	8G2	sand beige				21	996 552 879 00	adapter for damper		2	
	3S9	sea blue				22	997 612 651 00	wiring harness glove compartment light		1	
	4P2	palmgreen				23	999 650 564 40	clip for wiring harness microswitch		1	
	9S5	terracotta				24	999 650 565 40	clip for wiring harness		1	
	9V6	cocoa				25	997 632 071 00	glove compartment light		1	
	D12	dark grey/natural									
	T12	brown/natural									
11	999 073 155 09	tapping screw 4,2 X 13 for mount glove compartment		X							
12	999 507 971 01	speed nut 4,2 for mount glove compartment		X							

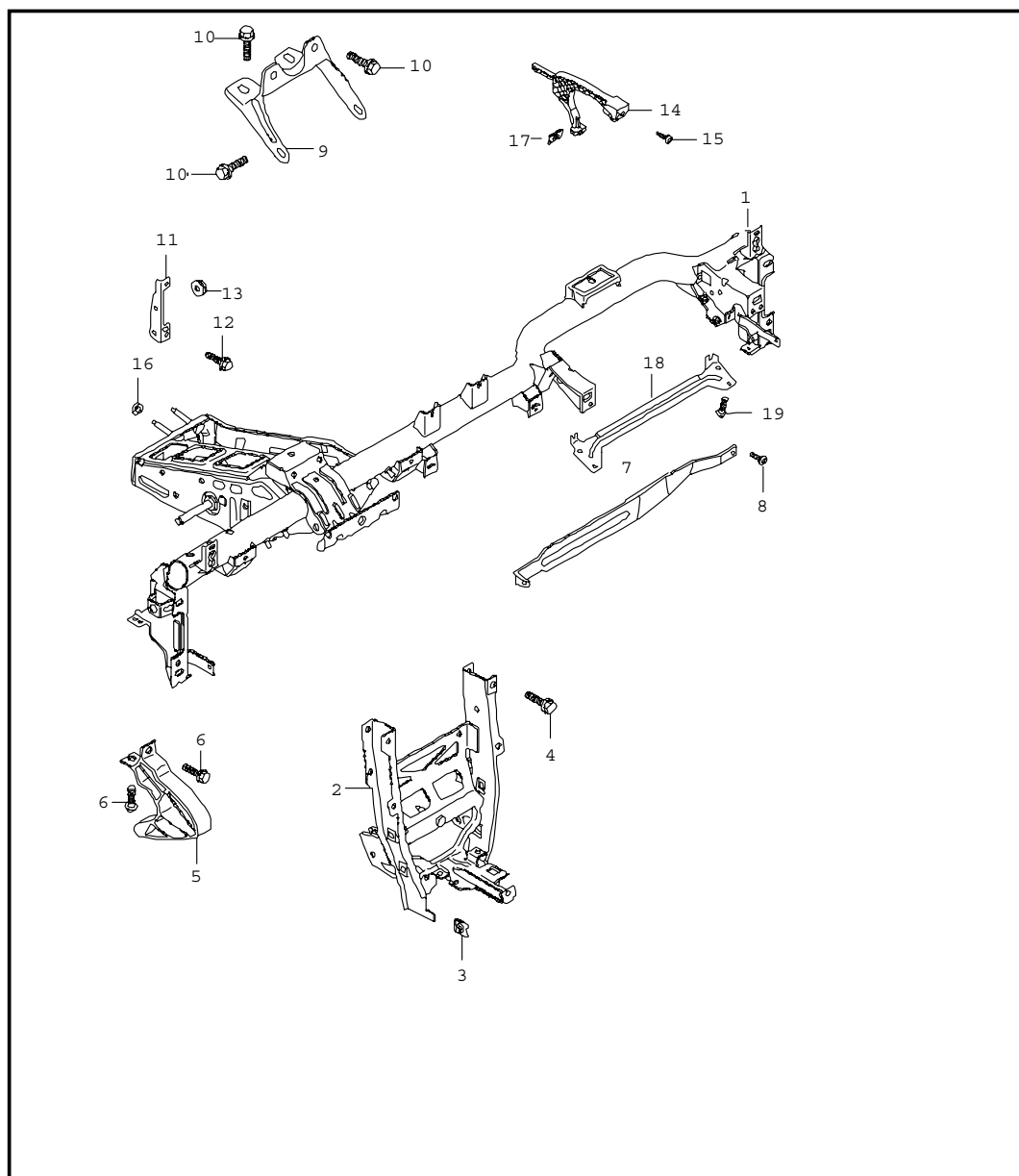
Model	Year	MG	SG	Illustration	Restrictions	Update	13:34	17.11.2005	PORSCHE	PET	PORSCHE
997	06	8	09	809-03		194					

Pos	Part Number	Name	Remarks	Qty	Model	Pos	Part Number	Name	Remarks	Qty	Model
26	997 552 252 02	glove box cover leatherette	/LL	1	I098	29	999 073 240 02	screw M 4 X 10 for mount handle		2	
	1MZ	black				30	997 552 448 00	stop		1	
	1YP	stone grey				31	997 552 663 00	box for cds		1	I424
	1TK	sand beige				32	999 073 240 02	screw M 4 X 10 for mount box for cds		2	
	1VM	sea blue									
	1UL	palmgreen									
26	997 552 252 03	glove box cover leather	/LL	1	I098/981	33	997 552 256 02	cover passenger's side leatherette	/LL	1	I098
	A11	black					1MZ	black			
	5X6	stone grey					1YP	stone grey			
	8G2	sand beige					1TK	sand beige			
	3S9	sea blue					1VM	sea blue			
	4P2	palmgreen					1UL	palmgreen			
	9S5	terracotta				33	997 552 256 03	cover passenger's side leather	/LL	1	I098/981
	9V6	cocoa					A11	black			
	D12	dark grey/natural					5X6	stone grey			
	T12	brown/natural					8G2	sand beige			
27	999 073 249 07	tapping screw 3.5 X 12 for mount glove box cover		11			3S9	sea blue			
28	997 552 362 01	handle complete	/LL	1	I098		4P2	palmgreen			
	A03	black					9S5	terracotta			
	5V7	stone grey					9V6	cocoa			
	5Z1	sand beige					D12	dark grey/natural			
	8W7	sea blue					T12	brown/natural			
	5Y2	palmgreen				(33)	997 552 255 03	cover passenger's side leather	/RL	1	I099/981
	8X8	terracotta					A11	black			
	8P9	cocoa									
	T13	brown/natural									

Model	Year	MG	SG	Illustration	Restrictions	Update	13:34	17.11.2005	PORSCHE	PET	PORSCHE
997	06	8	09	809-03		194					

Pos	Part Number	Name	Remarks	Qty	Model	Pos	Part Number	Name	Remarks	Qty	Model
	5X6	stone grey									
	8G2	sand beige									
	3S9	sea blue									
	4P2	palmgreen									
	9S5	terracotta									
	9V6	cocoa									
	D12	dark grey/natural									
	T12	brown/natural									
34	997 552 414 01	lining footwell passenger's side	/LL	1	I098						
(34)	997 552 413 01	lining footwell passenger's side	/RL	1	I099						
35	1H0 819 943	screw for mount lining footwell		X							
36	997 552 451 01	insert	/LL	1	I098						
		- - - E N D - - -									

Model	Year	MG	SG	Illustration	Restrictions	Update	13:34	17.11.2005	PORSCHE	PET	PORSCHE
997	06	8	09	809-04		194					

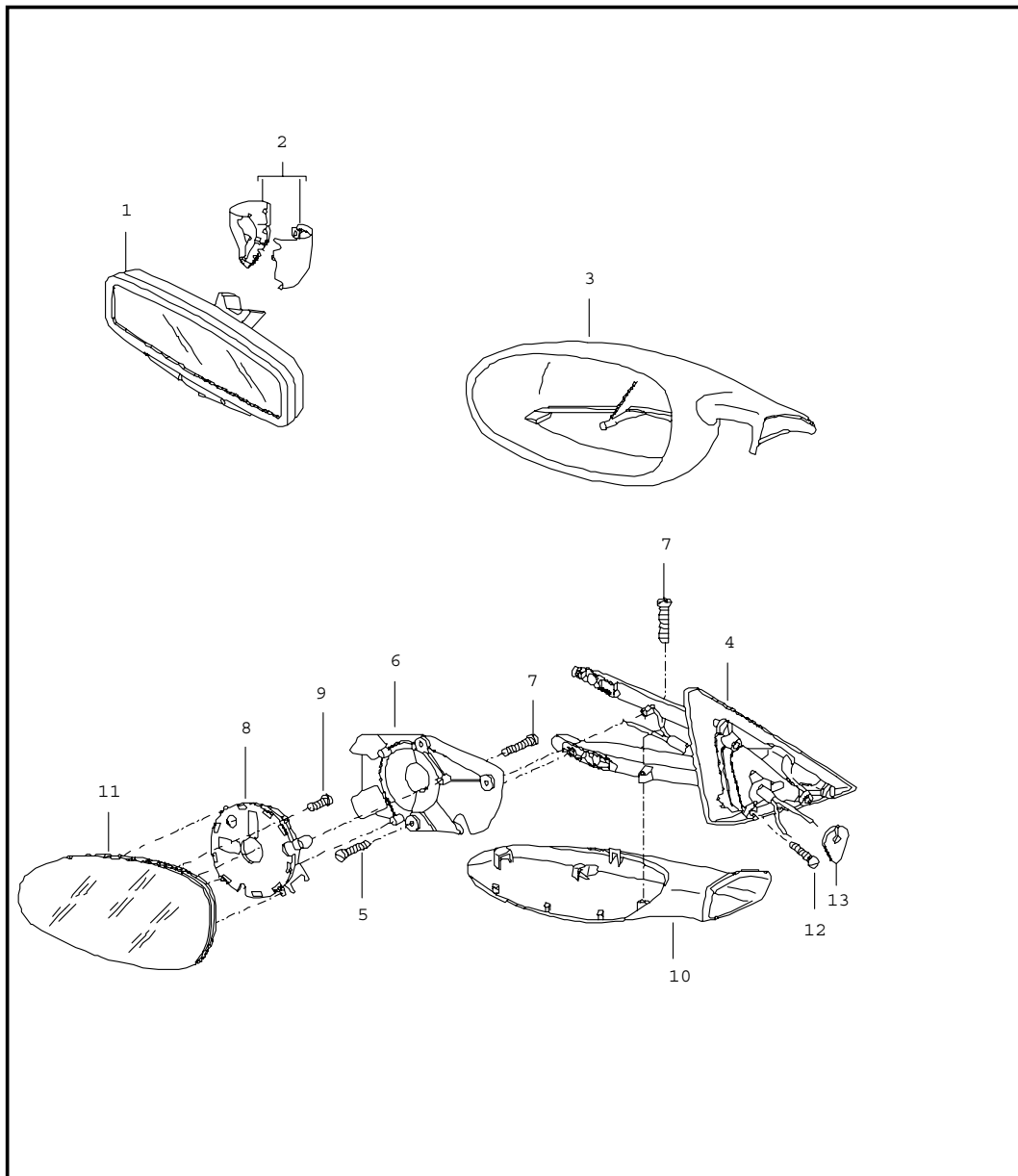


Pos	Part Number	Name	Remarks	Qty	Model
(1)	997 552 063 05	retaining frame dashboard		1	I553
2	997 552 163 03	support tunnel	/LL	1	
3	999 507 020 02	speed nut ST 4,2 for mount retaining frame and support tunnel		X	
4	900 378 175 09	hexagon-head bolt M 8 X 65 for mount support		2	
5	997 552 191 05	knee protection strip driver's side		2	I553
(5)	997 552 192 05	knee protection strip passenger's side		2	I553
6	900 378 036 09	hexagon-head bolt M 6 X 12 for mount knee protection strip		8	I553
7	997 552 764 05	reinforcement strip glove compartment		1	I553
8	999 073 155 09	tapping screw ST 4,2 X 13 for mount reinforcement strip		2	I553
9	997 552 515 01	support tunnel		1	
10	900 075 432 02	screw M 6 X 18 for mount support tunnel	-05	X	

Model	Year	MG	SG	Illustration	Restrictions	Update					
997	06	8	09	809-04		194	13:34	17.11.2005	PORSCHE	PET	PORSCHE

Pos	Part Number	Name	Remarks	Qty	Model	Pos	Part Number	Name	Remarks	Qty	Model
10	900 075 498 02	screw M 6 X 18 for mount support tunnel	06-	X							
11	997 552 407 01	support a-pillar	/L	1							
(11)	997 552 408 01	support a-pillar	/R	1							
12	900 378 176 09	hexagon-head bolt M 8 X 20 for mount support a-pillar		4							
13	999 084 630 09	hexagon nut M 8 for mount support a-pillar		4							
14	997 552 401 00	support heating		1							
15	999 073 155 09	tapping screw ST 4,2 X 13 for mount support heating		1							
16	997 423 299 01	nut for adjustment retaining frame firewall		2							
17	999 507 020 02	speed nut ST 4,2 for mount support heating		1							
18	997 552 603 01	reinforcement plate support airbag		1							
19	900 378 222 09	hexagon-head bolt M 6 X 16		4							
- - - E N D - - -											

Model	Year	MG	SG	Illustration	Restrictions	Update	13:34	17.11.2005	PORSCHE	PET	PORSCHE
997	06	8	09	809-10		194					

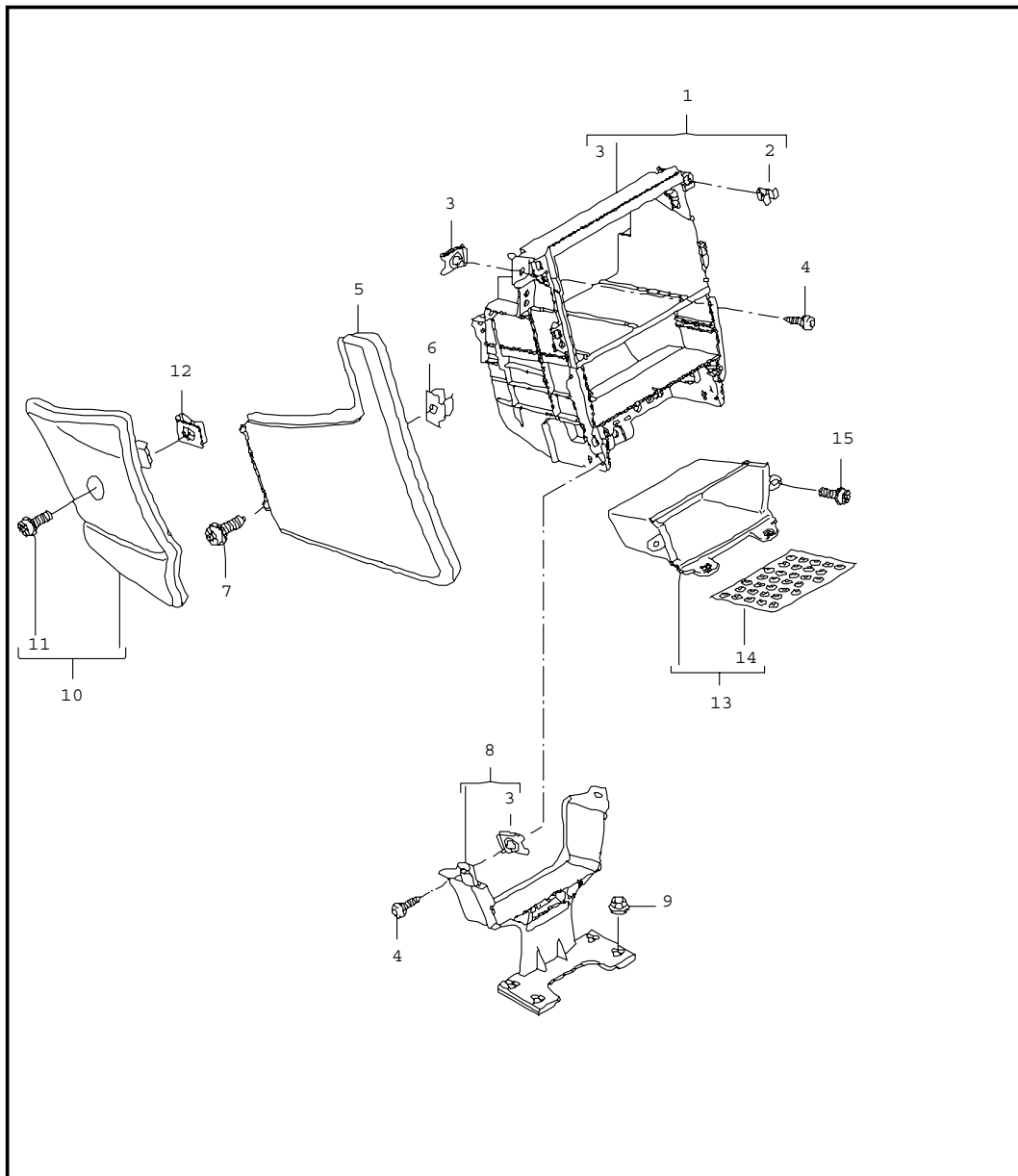


Pos	Part Number	Name	Remarks	Qty	Model
1	997 731 511 01	interior mirror door mirror		1	I267
(1)	997 731 511 02	interior mirror		1	
	01C	satin black			
2	997 731 811 00	cover interior mirror	/L	1	
	01C	satin black			
(2)	997 731 812 00	cover interior mirror	/R	1	
	01C	satin black			
3	997 731 619 00	housing	/L	1	
	G2L	prime coated			
(3)	997 731 620 00	housing	/R	1	
	G2L	prime coated			
4	997 731 219 00	mirror base	/LL/L	1	I098
	G2L	prime coated			
(4)	997 731 220 00	mirror base door mirror	/LL/R	1	I098
	G2L	prime coated			
(4)	997 731 219 01	mirror base door mirror	/LL/L	1	I537
	G2L	prime coated			
(4)	997 731 220 01	mirror base door mirror	/LL/R	1	I537
	G2L	prime coated			
(4)	997 731 219 02	mirror base door mirror	/LL/L	1	I098/267
	G2L	prime coated			
(4)	997 731 220 02	mirror base door mirror	/LL/R	1	I098/267
	G2L	prime coated			
(4)	997 731 219 03	mirror base door mirror	/LL/L	1	I267/537

Model	Year	MG	SG	Illustration	Restrictions	Update					
997	06	8	09	809-10		194	13:34	17.11.2005	PORSCHE	PET	PORSCHE

Pos	Part Number	Name	Remarks	Qty	Model	Pos	Part Number	Name	Remarks	Qty	Model
		G2L prime coated				12	999 073 345 09	lens-head screw M 5 X 18		3	
(4)	997 731 220 03	mirror base door mirror	/LL/R	1	I267/537	13	997 537 731 00	seal cable plug mirror base		1	
		G2L prime coated						- - - E N D - - -			
5	999 919 024 09	oval-head screw 3,0 X 12		3							
6	997 731 519 00	plate door mirror	/L	1							
(6)	997 731 520 00	plate door mirror	/R	1							
7	999 141 043 02	oval-head screw M 3 X 14		4							
8	997 624 047 00	adjusting motor		2							
(8)	997 624 048 00	adjusting motor		2	I537/538						
9	999 141 043 02	oval-head screw M 3,0 X 14		3							
10	997 731 719 00	cover lower	/L	1							
		G2L prime coated									
(10)	997 731 720 00	cover lower	/R	1							
		G2L prime coated									
11	997 731 035 00	mirror glass plan	/LL/L	1	I098/270						
(11)	997 731 035 01	mirror glass aspherical	/LL/L	1	I098/271						
(11)	997 731 035 02	mirror glass plan dipping	/LL/L	1	I098/267/270						
(11)	997 731 035 03	mirror glass aspherical dipping	/LL/L	1	I098/267/271						
(11)	997 731 038 01	mirror glass convex	/LL/R	1	I553						
(11)	997 731 038 04	mirror glass convex dipping	/LL/R	1	I267/553						

Model	Year	MG	SG	Illustration	Restrictions	Update	13:35	17.11.2005	PORSCHE	PET	PORSCHE
997	06	8	09	809-15		194					



Pos	Part Number	Name	Remarks	Qty	Model
1	997 553 111 01	centre console front		1	
2	999 507 476 01	bracket centre console front		6	
3	999 507 971 01	clamp 8,0 X 10,0/2,5		X	
4	999 073 155 09	speed nut st 4,2		X	
5	997 553 117 01	tapping screw st 4,2 x 13		1	
		cover lateral leatherette	/L	1	
		9L4 black			
		9M5 stone grey			
		9C6 sand beige			
		9D7 sea blue			
		9E8 palmgreen			
(5)	997 553 118 01	cover lateral leatherette	/R	1	
		9L4 black			
		9M5 stone grey			
		9C6 sand beige			
		9D7 sea blue			
		9E8 palmgreen			
5	997 553 117 06	cover lateral leather	/LL/L	1	I098/I618
		FSA black/grey			
		FSB stone grey/stone grey			
		FSC sand beige/sand beige			
		FSD seeblue/grey			
		FSE palm-green/palm-green			

Model	Year	MG	SG	Illustration	Restrictions	Update	13:35	17.11.2005	PORSCHE	PET	PORSCHE
997	06	8	09	809-15		194					

Pos	Part Number	Name	Remarks	Qty	Model	Pos	Part Number	Name	Remarks	Qty	Model
		FSF terrakotta/terrakotta						FSB stone grey/stone grey			
		FSG cocoa/cocoa						FSC sand beige/sand beige			
		FSH darkgrey natural/grey						FSD seeblue/grey			
		FSJ brown nat./brown nat.						FSE palm-green/palm-green			
5	997 553 117 06	cover lateral leather	/LL/L	1	I098/I668			FSF terrakotta/terrakotta			
		FSA black/grey						FSG cocoa/cocoa			
		FSB stone grey/stone grey						FSH darkgrey natural/grey			
		FSC sand beige/sand beige						FSJ brown nat./brown nat.			
		FSD seeblue/grey						cover lateral with preparation for telephone see group 9/11/10		1	
		FSE palm-green/palm-green				6	999 591 508 02	captive nut ST 4,2 for mount cover lateral		4	
		FSF terrakotta/terrakotta				7	999 073 226 09	tapping screw ST 4,2 X 16 for mount cover lateral		4	
		FSG cocoa/cocoa				8	997 553 361 01	support centre		1	
		FSH darkgrey natural/grey				9	999 084 629 09	hexagon nut m 6		4	
		FSJ brown nat./brown nat.				10	997 553 131 01	cover footwell outlet vent carpet	/LL/L-05	1	I098
		FSA black/grey					A10	black			
		FSB stone grey/stone grey					B10	stone grey			
		FSC sand beige/sand beige					T10	sand beige			
		FSD seeblue/grey					E10	sea blue			
		FSE palm-green/palm-green					J10	palmgreen			
		FSF terrakotta/terrakotta					M10	terracotta			
		FSG cocoa/cocoa									
		FSH darkgrey natural/grey									
		FSJ brown nat./brown nat.									
(5)	997 553 118 06	cover lateral leather	/R	1	I981						
		FSA black/grey									

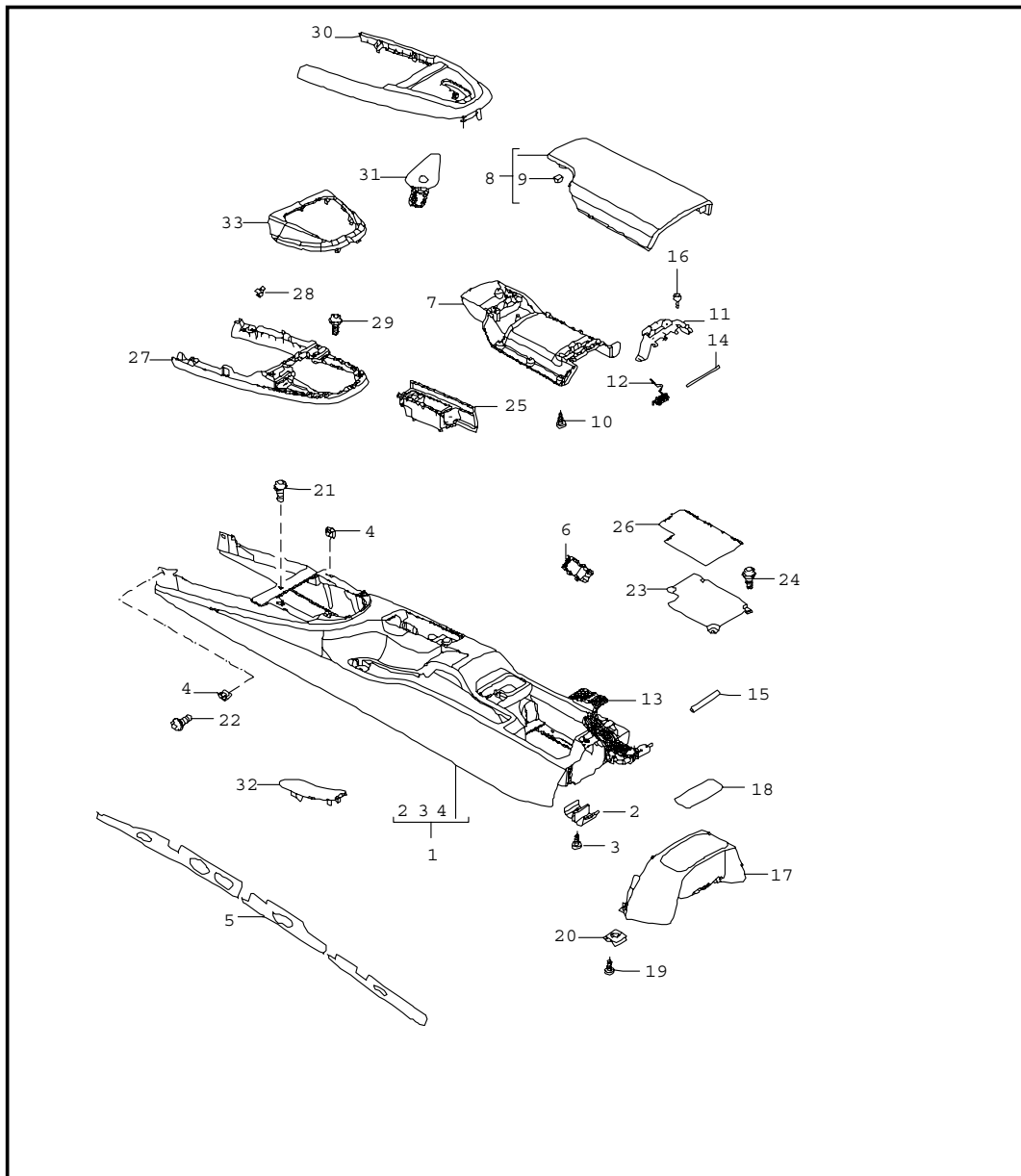
Model	Year	MG	SG	Illustration	Restrictions	Update	13:35	17.11.2005	PORSCHE	PET	PORSCHE
997	06	8	09	809-15		194					

Pos	Part Number	Name	Remarks	Qty	Model	Pos	Part Number	Name	Remarks	Qty	Model
(10)	997 553 132 01	R10	cocoa	/LL/R-05	1	I098	T10	sand beige	/R 06-	1	
		D11	dark grey/natural				E10	sea blue			
		T11	brown/natural				J10	palmgreen			
		cover	footwell outlet vent carpet				M10	terracotta			
		A10	black				R10	cocoa			
		B10	stone grey				D11	dark grey/natural			
		T10	sand beige				T11	brown/natural			
		E10	sea blue				cover	footwell outlet vent carpet			
		J10	palmgreen				A10	black			
		M10	terracotta				B10	stone grey			
		10	997 553 131 01				R10	cocoa			
D11	dark grey/natural			E10	sea blue						
T11	brown/natural			J10	palmgreen						
cover	footwell outlet vent carpet			M10	terracotta						
A10	black			R10	cocoa						
B10	stone grey			D11	dark grey/natural						
T10	sand beige			T11	brown/natural						
E10	sea blue			oval-head screw	M 6 X 25 for mount cover footwell outlet vent						
J10	palmgreen			11	999 073 223 07						
M10	terracotta			12	999 507 766 02						
(10)	997 553 132 01			R10	cocoa	/LL/R06-	1	I098/621	speed nut	M 6 for mount cover footwell outlet vent	
		D11	dark grey/natural	13	997 553 143 01						
		T11	brown/natural	D07	volcano grey						
		cover	footwell outlet vent carpet	shelf	centre console front						
		A10	black	14	997 553 543 01						
		B10	stone grey	insert	shelf						

Model	Year	MG	SG	Illustration	Restrictions	Update					
997	06	8	09	809-15		194	13:35	17.11.2005	PORSCHE	PET	PORSCHE

Pos	Part Number	Name	Remarks	Qty	Model	Pos	Part Number	Name	Remarks	Qty	Model
15	999 919 164 09	oval-head screw 5,0 X 12,0 for mount shelf  - - - E N D - - -		3							

Model	Year	MG	SG	Illustration	Restrictions	Update	13:35	17.11.2005	PORSCHE	PET	PORSCHE
997	06	8	09	809-20		194					



Pos	Part Number	Name	Remarks	Qty	Model
1	997 553 211 01	centre console rear lacquered	05	1	
	A03	black			
	5V7	stone grey			
	5Z1	sand beige			
	8W7	sea blue			
	5Y2	palmgreen			
	8X8	terracotta			
	8P9	cocoa			
	T13	brown/natural			
(1)	997 553 211 02	centre console rear lacquered	06-	1	I560
	A03	black			
	5V7	stone grey			
	5Z1	sand beige			
	8W7	sea blue			
	5Y2	palmgreen			
	8X8	terracotta			
	8P9	cocoa			
	T13	brown/natural			
(1)	997 553 980 00	centre console rear leather	05	1	COUPE/IXMZ
	A11	black			
	5X6	stone grey			
	8G2	sand beige			
	3S9	sea blue			
	4P2	palmgreen			
	9S5	terracotta			

Model	Year	MG	SG	Illustration	Restrictions	Update	13:35	17.11.2005	PORSCHE	PET	PORSCHE
997	06	8	09	809-20		194					

Pos	Part Number	Name	Remarks	Qty	Model	Pos	Part Number	Name	Remarks	Qty	Model
	9V6	cocoa					5X6	stone grey			
	D12	dark grey/natural					8G2	sand beige			
	T12	brown/natural					3S9	sea blue			
(1)	997 553 980 12	centre console rear leather	-05	1	CABRIO/IXMZ		4P2	palmgreen			
	A11	black					9S5	terracotta			
	5X6	stone grey					9V6	cocoa			
	8G2	sand beige					D12	dark grey/natural			
	3S9	sea blue				(1)	997 553 980 25	centre console rear leather	06-	1	COUPE/IXMZ/376/560
	4P2	palmgreen					A11	black			
	9S5	terracotta					5X6	stone grey			
	9V6	cocoa					8G2	sand beige			
	D12	dark grey/natural					3S9	sea blue			
(1)	997 553 980 06	centre console rear leather	06-	1	COUPE/IXMZ/370/560		4P2	palmgreen			
	A11	black					9S5	terracotta			
	5X6	stone grey					9V6	cocoa			
	8G2	sand beige					D12	dark grey/natural			
	3S9	sea blue				(1)	997 553 980 25	centre console rear leather	06-	1	COUPE/IXMZ/378/560
	4P2	palmgreen					A11	black			
	9S5	terracotta					5X6	stone grey			
	9V6	cocoa					8G2	sand beige			
	D12	dark grey/natural					3S9	sea blue			
	T12	brown/natural					4P2	palmgreen			
(1)	997 553 980 06	centre console rear leather	06-	1	COUPE/IXMZ/438/560		9S5	terracotta			
	A11	black					9V6	cocoa			

Model	Year	MG	SG	Illustration	Restrictions	Update	13:35	17.11.2005	PORSCHE	PET	PORSCHE
997	06	8	09	809-20		194					

Pos	Part Number	Name	Remarks	Qty	Model	Pos	Part Number	Name	Remarks	Qty	Model					
(1)	997 553 980 18	D12	dark grey/natural	06-	1	CABRIO/ IXMZ/370/560	8G2	sand beige	(1)	997 553 980 27	06-	1	CABRIO/ IXMZ/378/560			
		T12	brown/natural				3S9	sea blue								
		centre console	rear leather				4P2	palmgreen								
		A11	black				9S5	terracotta								
		5X6	stone grey				9V6	cocoa								
		8G2	sand beige				D12	dark grey/natural								
		3S9	sea blue				T12	brown/natural								
		4P2	palmgreen				centre console	rear leather								
		9S5	terracotta				A11	black								
		9V6	cocoa				5X6	stone grey								
		D12	dark grey/natural				8G2	sand beige								
(1)	997 553 980 18	T12	brown/natural	06-	1	CABRIO/ IXMZ/438/560	3S9	sea blue	(1)	997 553 980 01	05	1	COUPE/ XMJ			
		centre console	rear leather				4P2	palmgreen								
		A11	black				9S5	terracotta								
		5X6	stone grey				9V6	cocoa								
		8G2	sand beige				D12	dark grey/natural								
		3S9	sea blue				T12	brown/natural								
		4P2	palmgreen				centre console	rear carbon								
		9S5	terracotta				A35	black								
		9V6	cocoa				(1)	997 553 980 13						05	1	CABRIO/ XMJ
		D12	dark grey/natural				centre console	rear carbon								
		(1)	997 553 980 27				T12	brown/natural						06-	1	CABRIO/ IXMZ/376/560
centre console	rear leather			centre console	rear carbon											
A11	black			A35	black											
5X6	stone grey															

Model	Year	MG	SG	Illustration	Restrictions	Update	13:35	17.11.2005	PORSCHE	PET	PORSCHE
997	06	8	09	809-20		194					

Pos	Part Number	Name	Remarks	Qty	Model	Pos	Part Number	Name	Remarks	Qty	Model
(1)	997 553 980 07	centre console rear carbon A35 black	06-	1	COUPE/ IXMJ/438/560	(1)	997 553 980 08	centre console rear S62 sycamore wood	06-	1	COUPE/ IXJU/370/560
(1)	997 553 980 29	centre console rear carbon A35 black	06-	1	COUPE/ IXMJ/376/560	(1)	997 553 980 08	centre console rear S62 sycamore wood	06-	1	COUPE/ IXJU/438/560
(1)	997 553 980 29	centre console rear carbon A35 black	06-	1	COUPE/ IXMJ/378/560	(1)	997 553 980 33	centre console rear S62 sycamore wood	06-	1	COUPE/ IXJU/376/560
(1)	997 553 980 19	centre console rear carbon A35 black	06-	1	CABRIO/ IXMJ/370/560	(1)	997 553 980 33	centre console rear S62 sycamore wood	06-	1	COUPE/ IXJU/378/560
(1)	997 553 980 19	centre console rear carbon A35 black	06-	1	CABRIO/ IXMJ/438/560	(1)	997 553 980 20	centre console rear S62 sycamore wood	06-	1	CABRIO/ IXJU/370/560
(1)	997 553 980 19	centre console rear carbon A35 black	06-	1	CABRIO/ IXMJ/438/560	(1)	997 553 980 20	centre console rear S62 sycamore wood	06-	1	CABRIO/ IXJU/438/560
(1)	997 553 980 31	centre console rear carbon A35 black	06-	1	CABRIO/ IXMJ/376/560	(1)	997 553 980 35	centre console rear S62 sycamore wood	06-	1	CABRIO/ IXJU/376/560
(1)	997 553 980 31	centre console rear carbon A35 black	06-	1	CABRIO/ IXMJ/378/560	(1)	997 553 980 35	centre console rear S62 sycamore wood	06-	1	CABRIO/ IXJU/378/560
(1)	997 553 980 02	centre console rear S62 sycamore wood	05	1	COUPE/XJU	(1)	997 553 980 03	centre console rear S61 makassar	05	1	COUPE/XJT
(1)	997 553 980 14	centre console rear S62 sycamore wood	05	1	CABRIO/XJU	(1)	997 553 980 15	centre console rear S61 makassar	05	1	CABRIO/XJT

Model	Year	MG	SG	Illustration	Restrictions	Update	13:35	17.11.2005	PORSCHE	PET	PORSCHE
997	06	8	09	809-20		194					

Pos	Part Number	Name	Remarks	Qty	Model	Pos	Part Number	Name	Remarks	Qty	Model
(1)	997 553 980 09	centre console rear S61 makassar	06-	1	COUPE/ IXJT/370/560	(1)	997 553 980 10	centre console rear V04 galvano silver	06-	1	COUPE/ IXCK/370/560
(1)	997 553 980 09	centre console rear S61 makassar	06-	1	COUPE/ IXJT/438/560	(1)	997 553 980 10	centre console rear V04 galvano silver	06-	1	COUPE/ IXCK/438/560
(1)	997 553 980 37	centre console rear S61 makassar	06-	1	COUPE/ IXJT/376/560	(1)	997 553 980 41	centre console rear V04 galvano silver	06-	1	COUPE/ IXCK/376/560
(1)	997 553 980 37	centre console rear S61 makassar	06-	1	COUPE/ IXJT/378/560	(1)	997 553 980 41	centre console rear V04 galvano silver	06-	1	COUPE/ IXCK/378/560
(1)	997 553 980 21	centre console rear S61 makassar	06-	1	CABRIO/ IXJT/370/560	(1)	997 553 980 22	centre console rear V04 galvano silver	06-	1	CABRIO/ IXCK/370/560
(1)	997 553 980 21	centre console rear S61 makassar	06-	1	CABRIO/ IXJT/438/560	(1)	997 553 980 22	centre console rear V04 galvano silver	06-	1	CABRIO/ IXCK/438/560
(1)	997 553 980 39	centre console rear S61 makassar	06-	1	CABRIO/ IXJT/376/560	(1)	997 553 980 43	centre console rear V04 galvano silver	06-	1	CABRIO/ IXCK/376/560
(1)	997 553 980 39	centre console rear S61 makassar	06-	1	CABRIO/ IXJT/378/560	(1)	997 553 980 43	centre console rear V04 galvano silver	06-	1	CABRIO/ IXCK/378/560
(1)	997 553 980 04	centre console rear V04 galvano silver	05	1	COUPE/XCK	(1)	997 553 980 05	centre console rear 041 black	05	1	COUPE/XME
(1)	997 553 980 16	centre console rear V04 galvano silver	05	1	CABRIO/XCK		84A	guards red			
							B9A	carrara white			
							12H	speed yellow			

Model	Year	MG	SG	Illustration	Restrictions	Update	13:35	17.11.2005	PORSCHE	PET	PORSCHE
997	06	8	09	809-20		194					

Pos	Part Number	Name	Remarks	Qty	Model	Pos	Part Number	Name	Remarks	Qty	Model
	92U	arctic silver metallic					M7Z	gt silver metallic			
	M3W	carmon red metallic					M6X	dark olive-metallic			
	M5W	lapis blue metallic				(1)	997 553 980 11	centre console	06-	1	COUPE/ IXME/370/560
	M6W	lagoon green metallic						rear			
	C9Z	basalt black metallic					041	black			
	M7X	atlas grey metallic					84A	guards red			
	39C	midnight blue metallic					B9A	carrara white			
	6B4	seal grey metallic					12H	speed yellow			
	2B4	forest green metallic					92U	arctic silver metallic			
	3C8	cobalt blue metallic					M3W	carmon red metallic			
	23F	slate grey metallic					M5W	lapis blue metallic			
	M7Z	gt silver metallic					M6W	lagoon green metallic			
(1)	997 553 980 17	centre console	05	1	CABRIO/XME		C9Z	basalt black metallic			
		rear					M7X	atlas grey metallic			
	041	black					39C	midnight blue metallic			
	84A	guards red					6B4	seal grey metallic			
	B9A	carrara white					2B4	forest green metallic			
	12H	speed yellow					3C8	cobalt blue metallic			
	92U	arctic silver metallic					23F	slate grey metallic			
	M3W	carmon red metallic					M7Z	gt silver metallic			
	M5W	lapis blue metallic					M6X	dark olive-metallic			
	M6W	lagoon green metallic				(1)	997 553 980 11	centre console	06-	1	COUPE/ IXME/438/560
	C9Z	basalt black metallic						rear			
	M7X	atlas grey metallic					041	black			
	39C	midnight blue metallic					84A	guards red			
	6B4	seal grey metallic					B9A	carrara white			
	2B4	forest green metallic					12H	speed yellow			
	3C8	cobalt blue metallic					92U	arctic silver metallic			
	23F	slate grey metallic					M3W	carmon red metallic			

Model	Year	MG	SG	Illustration	Restrictions	Update	13:35	17.11.2005	PORSCHE	PET	PORSCHE
997	06	8	09	809-20		194					

Pos	Part Number	Name	Remarks	Qty	Model	Pos	Part Number	Name	Remarks	Qty	Model
	M5W	lapis blue metallic					M6X	dark olive-metallic			
	M6W	lagoon green metallic				(1)	997 553 980 45	centre console	06-	1	COUPE/ IXME/378/560
	C9Z	basalt black metallic						rear			
	M7X	atlas grey metallic					041	black			
	39C	midnight blue metallic					84A	guards red			
	6B4	seal grey metallic					B9A	carrara white			
	2B4	forest green metallic					12H	speed yellow			
	3C8	cobalt blue metallic					92U	arctic silver metallic			
	23F	slate grey metallic					M3W	carmon red metallic			
	M7Z	gt silver metallic					M5W	lapis blue metallic			
	M6X	dark olive-metallic					M6W	lagoon green metallic			
(1)	997 553 980 45	centre console	06-	1	COUPE/ IXME/376/560		C9Z	basalt black metallic			
		rear					M7X	atlas grey metallic			
	041	black					39C	midnight blue metallic			
	84A	guards red					6B4	seal grey metallic			
	B9A	carrara white					2B4	forest green metallic			
	12H	speed yellow					3C8	cobalt blue metallic			
	92U	arctic silver metallic					23F	slate grey metallic			
	M3W	carmon red metallic					M7Z	gt silver metallic			
	M5W	lapis blue metallic					M6X	dark olive-metallic			
	M6W	lagoon green metallic				(1)	997 553 980 23	centre console	06-	1	CABRIO/ IXME/370/560
	C9Z	basalt black metallic						rear			
	M7X	atlas grey metallic					041	black			
	39C	midnight blue metallic					84A	guards red			
	6B4	seal grey metallic					B9A	carrara white			
	2B4	forest green metallic					12H	speed yellow			
	3C8	cobalt blue metallic					92U	arctic silver metallic			
	23F	slate grey metallic					M3W	carmon red metallic			
	M7Z	gt silver metallic					M5W	lapis blue metallic			

Model	Year	MG	SG	Illustration	Restrictions	Update	13:35	17.11.2005	PORSCHE	PET	PORSCHE
997	06	8	09	809-20		194					

Pos	Part Number	Name	Remarks	Qty	Model	Pos	Part Number	Name	Remarks	Qty	Model
	M6W	lagoon green metallic				(1)	997 553 980 47	centre console	06-	1	CABRIO/ IXME/376/560
	C9Z	basalt black metallic						rear			
	M7X	atlas grey metallic					041	black			
	39C	midnight blue metallic					84A	guards red			
	6B4	seal grey metallic					B9A	carrara white			
	2B4	forest green metallic					12H	speed yellow			
	3C8	cobalt blue metallic					92U	arctic silver metallic			
	23F	slate grey metallic					M3W	carmon red metallic			
	M7Z	gt silver metallic					M5W	lapis blue metallic			
	M6X	dark olive-metallic					M6W	lagoon green metallic			
(1)	997 553 980 23	centre console	06-	1	CABRIO/ IXME/438/560		C9Z	basalt black metallic			
		rear					M7X	atlas grey metallic			
	041	black					39C	midnight blue metallic			
	84A	guards red					6B4	seal grey metallic			
	B9A	carrara white					2B4	forest green metallic			
	12H	speed yellow					3C8	cobalt blue metallic			
	92U	arctic silver metallic					23F	slate grey metallic			
	M3W	carmon red metallic					M7Z	gt silver metallic			
	M5W	lapis blue metallic					M6X	dark olive-metallic			
	M6W	lagoon green metallic				(1)	997 553 980 47	centre console	06-	1	CABRIO/ IXME/378/560
	C9Z	basalt black metallic						rear			
	M7X	atlas grey metallic					041	black			
	39C	midnight blue metallic					84A	guards red			
	6B4	seal grey metallic					B9A	carrara white			
	2B4	forest green metallic					12H	speed yellow			
	3C8	cobalt blue metallic					92U	arctic silver metallic			
	23F	slate grey metallic					M3W	carmon red metallic			
	M7Z	gt silver metallic					M5W	lapis blue metallic			
	M6X	dark olive-metallic					M6W	lagoon green metallic			

Model	Year	MG	SG	Illustration	Restrictions	Update	13:35	17.11.2005	PORSCHE	PET	PORSCHE
997	06	8	09	809-20		194					

Pos	Part Number	Name	Remarks	Qty	Model	Pos	Part Number	Name	Remarks	Qty	Model
	C9Z	basalt black metallic				7	997 553 433 01	cover inner		1	
	M7X	atlas grey metallic					01C	satin black			
	39C	midnight blue metallic				8	997 553 231 01	cover outer leather		1	
	6B4	seal grey metallic					A11	black			
	2B4	forest green metallic					5X6	stone grey			
	3C8	cobalt blue metallic					8G2	sand beige			
	23F	slate grey metallic					3S9	sea blue			
	M7Z	gt silver metallic					4P2	palmgreen			
	M6X	dark olive-metallic					9S5	terracotta			
2	997 553 575 01	insert locking device centre console		1			9V6	cocoa			
	01C	satin black					D12	dark grey/natural			
3	999 919 162 09	oval-head screw 4 X 8 for mount insert locking device		1			T12	brown/natural			
4	999 591 214 40	expander nut 4,2	06-	4		9	999 507 972 01	speed nut 3,5 for mount cover outer		8	
5	997 553 843 00	sound absorber	/L	1		10	999 073 153 07	tapping screw 3,5 X 14 for mount cover outer		8	
(5)	997 553 844 00	sound absorber	/R	1							
6	997 553 579 00	cover lacquered		1	COUPE						
	A03	black				11	997 553 437 01	hinge		1	
	5V7	stone grey				12	997 553 439 00	spring		1	
	5Z1	sand beige				13	997 553 441 00	belt		1	
	8W7	sea blue				14	997 553 447 00	axle		1	
	5Y2	palmgreen				15	997 553 733 00	retaining pin		1	
	8X8	terracotta				16	999 919 159 09	oval-head screw M4X12		X	
	8P9	cocoa				17	997 553 221 01	extension centre console lacquered		1	COUPE
	T13	brown/natural									

Model	Year	MG	SG	Illustration	Restrictions	Update	13:35	17.11.2005	PORSCHE	PET	PORSCHE
997	06	8	09	809-20		194					

Pos	Part Number	Name	Remarks	Qty	Model	Pos	Part Number	Name	Remarks	Qty	Model
	A03	black					T12	brown/natural			
	5V7	stone grey				(17)	997 553 983 02	extension centre console leather		1	COUPE/XJU
	5Z1	sand beige					A11	black			
	8W7	sea blue					5X6	stone grey			
	5Y2	palmgreen					8G2	sand beige			
	8X8	terracotta					3S9	sea blue			
	8P9	cocoa					4P2	palmgreen			
	T13	brown/natural					9S5	terracotta			
(17)	997 553 983 00	extension centre console leather		1	COUPE/XMZ		9V6	cocoa			
	A11	black					D12	dark grey/natural			
	5X6	stone grey					T12	brown/natural			
	8G2	sand beige				(17)	997 553 983 03	extension centre console leather		1	COUPE/XJT
	3S9	sea blue					A11	black			
	4P2	palmgreen					5X6	stone grey			
	9S5	terracotta					8G2	sand beige			
	9V6	cocoa					3S9	sea blue			
	D12	dark grey/natural					4P2	palmgreen			
	T12	brown/natural					9S5	terracotta			
(17)	997 553 983 01	extension centre console leather		1	COUPE/XMJ		9V6	cocoa			
	A11	black					D12	dark grey/natural			
	5X6	stone grey					T12	brown/natural			
	8G2	sand beige				(17)	997 553 983 04	extension centre console leather		1	COUPE/XCK
	3S9	sea blue					A11	black			
	4P2	palmgreen					5X6	stone grey			
	9S5	terracotta					8G2	sand beige			
	9V6	cocoa					3S9	sea blue			
	D12	dark grey/natural									

Model	Year	MG	SG	Illustration	Restrictions	Update	13:35	17.11.2005	PORSCHE	PET	PORSCHE
997	06	8	09	809-20		194					

Pos	Part Number	Name	Remarks	Qty	Model	Pos	Part Number	Name	Remarks	Qty	Model	
(17)	4P2	palmgreen			COUPE/XME	21	999 919 121 09	oval-head screw 5 X 16		2		
	9S5	terracotta				22	999 073 155 09	tapping screw 4,2 X 13		2		
	9V6	cocoa				23	997 553 615 01	floor centre console		1		
	D12	dark grey/natural				24	999 507 971 01	speed nut 4,2		X		
	T12	brown/natural				25	997 553 141 01	ashtray lacquered		1		
	997 553 983 05	extension centre console lacquered		1								
	041	black					A03	black				
	84A	guards red					5V7	stone grey				
	B9A	carrara white					5Z1	sand beige				
	12H	speed yellow					8W7	sea blue				
	92U	arctic silver metallic					5Y2	palmgreen				
	M3W	carmon red metallic					8X8	terracotta				
	M5W	lapis blue metallic					8P9	cocoa				
	M6W	lagoon green metallic					T13	brown/natural				
	C9Z	basalt black metallic					(25)	997 553 982 00	ashtray leather		1	XMZ
	M7X	atlas grey metallic						A11	black			
	39C	midnight blue metallic						5X6	stone grey			
	6B4	seal grey metallic						8G2	sand beige			
	2B4	forest green metallic						3S9	sea blue			
	3C8	cobalt blue metallic						4P2	palmgreen			
23F	slate grey metallic					9S5	terracotta					
M7Z	gt silver metallic					9V6	cocoa					
M6X	dark olive-metallic					D12	dark grey/natural					
18	997 553 625 01	insert extension		1	COUPE							
19	999 073 226 09	tapping screw 4,2 X 16		X								
20	999 507 020 02	speed nut 4,2		X		(25)	997 553 982 01	ashtray carbon		1	XMJ	
							A35	black				
						(25)	997 553 982 02	ashtray		1	XJU	

Model	Year	MG	SG	Illustration	Restrictions	Update	13:35	17.11.2005	PORSCHE	PET	PORSCHE
997	06	8	09	809-20		194					

Pos	Part Number	Name	Remarks	Qty	Model	Pos	Part Number	Name	Remarks	Qty	Model
	S62	sycamore wood					V04	galvano silver			
(25)	997 553 982 03	ashtray		1	XJT	28	999 507 533 02	clamp 8,0 X 10,0/2,5		7	
	S61	makassar									
(25)	997 553 982 04	ashtray aluminium look		1	XCK	29	999 073 155 09	tapping screw 4,2 X 13 for mount frame		4	
	V04	galvano silver									
(25)	997 553 982 05	ashtray lacquered		1	XME	30	997 553 241 01	cover shift gate lacquered	-05	1	I249
	041	black					A03	black			
	84A	guards red					5V7	stone grey			
	B9A	carrara white					5Z1	sand beige			
	12H	speed yellow					8W7	sea blue			
	92U	arctic silver metallic					5Y2	palmgreen			
	M3W	carmon red metallic					8X8	terracotta			
	M5W	coral metallic					8P9	cocoa			
	M6W	lagoon green metallic					T13	brown/natural			
	C9Z	basalt black metallic				30	997 553 241 02	cover shift gate lacquered	06-	1	I249
	M7X	atlas grey metallic					A03	black			
	39C	midnight blue metallic					5V7	stone grey			
	6B4	seal grey metallic					5Z1	sand beige			
	2B4	forest green metallic					8W7	sea blue			
	3C8	cobalt blue metallic					5Y2	palmgreen			
	23F	slate grey metallic					8X8	terracotta			
	M7Z	gt silver metallic					8P9	cocoa			
	M6X	dark olive-metallic					T13	brown/natural			
26	997 553 611 01	insert		1							
27	997 553 261 01	frame lacquered		1	CARRERA	(30)	997 553 243 01	cover shift gate lacquered		1	I480
	D07	volcano grey					A03	black			
(27)	997 553 261 02	frame lacquered		1	CARRERA S		5V7	stone grey			

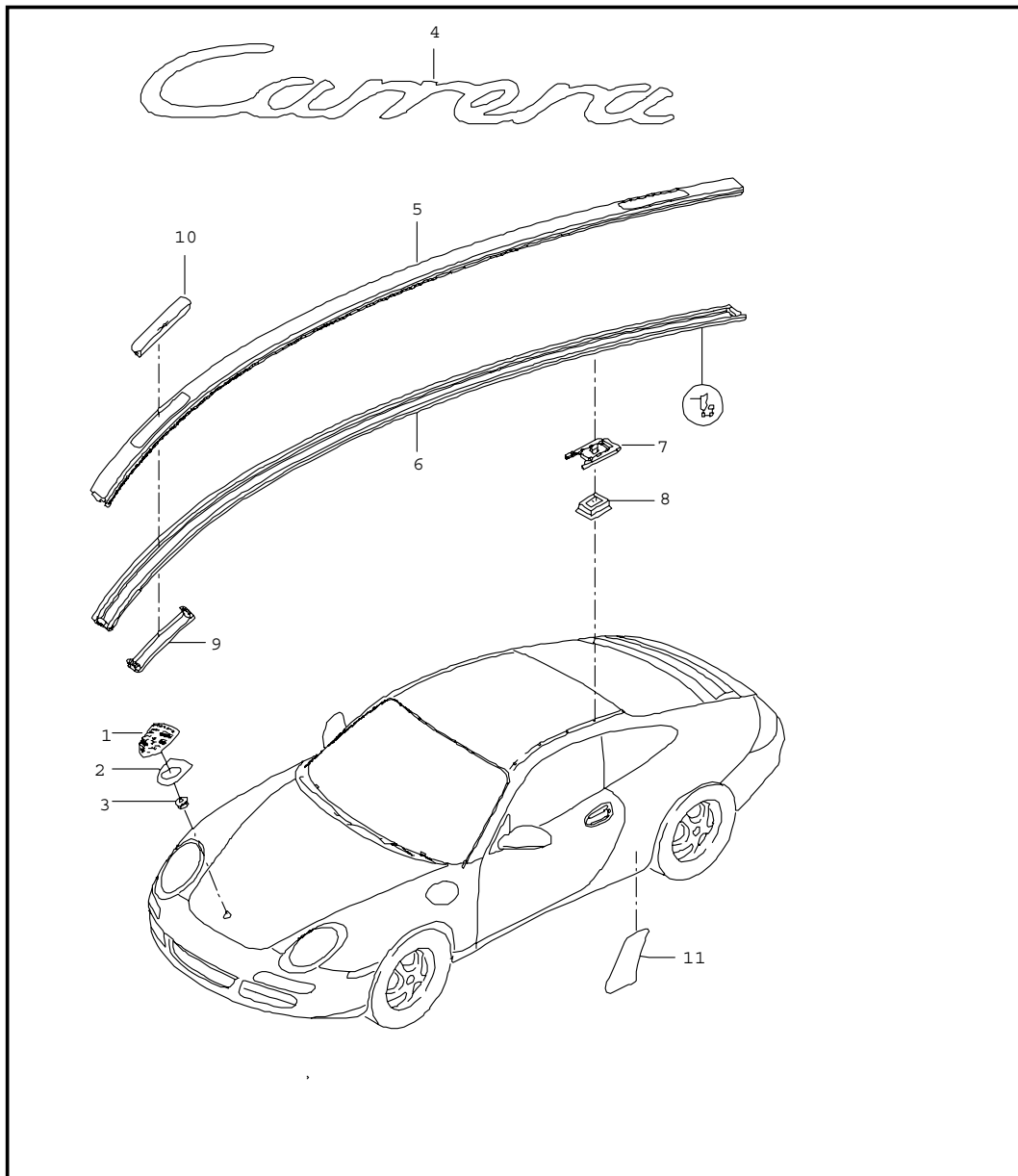
Model	Year	MG	SG	Illustration	Restrictions	Update	13:35	17.11.2005	PORSCHE	PET	PORSCHE
997	06	8	09	809-20		194					

Pos	Part Number	Name	Remarks	Qty	Model	Pos	Part Number	Name	Remarks	Qty	Model
	5Z1	sand beige				(32)	997 553 981 00	cover parking-brake lever		1	XJT
	8W7	sea blue					A11	black			
	5Y2	palmgreen					5X6	stone grey			
	8X8	terracotta					8G2	sand beige			
	8P9	cocoa					3S9	sea blue			
	T13	brown/natural					4P2	palmgreen			
31	996 552 687 00	slide		1	I249		9S5	terracotta			
	01C	satin black					9V6	cocoa			
32	997 553 455 01	cover parking-brake lever lacquered		1			D12	dark grey/natural			
	A03	black					T12	brown/natural			
	5V7	stone grey				(32)	997 553 981 00	cover parking-brake lever		1	XJU
	5Z1	sand beige					A11	black			
	8W7	sea blue					5X6	stone grey			
	5Y2	palmgreen					8G2	sand beige			
	8X8	terracotta					3S9	sea blue			
	8P9	cocoa					4P2	palmgreen			
	T13	brown/natural					9S5	terracotta			
(32)	997 553 981 00	cover parking-brake lever		1	XCK		9V6	cocoa			
	A11	black					D12	dark grey/natural			
	5X6	stone grey					T12	brown/natural			
	8G2	sand beige				(32)	997 553 981 00	cover parking-brake lever		1	XME
	3S9	sea blue					A11	black			
	4P2	palmgreen					5X6	stone grey			
	9S5	terracotta					8G2	sand beige			
	9V6	cocoa					3S9	sea blue			
	D12	dark grey/natural					4P2	palmgreen			
	T12	brown/natural					9S5	terracotta			
							9V6	cocoa			

Model	Year	MG	SG	Illustration	Restrictions	Update					
997	06	8	09	809-20		194	13:35	17.11.2005	PORSCHE	PET	PORSCHE

Pos	Part Number	Name	Remarks	Qty	Model	Pos	Part Number	Name	Remarks	Qty	Model
		D12 dark grey/natural									
		T12 brown/natural									
(32)	997 553 981 00	cover parking-brake lever		1	XMJ						
		A11 black									
		5X6 stone grey									
		8G2 sand beige									
		3S9 sea blue									
		4P2 palmgreen									
		9S5 terracotta									
		9V6 cocoa									
		D12 dark grey/natural									
		T12 brown/natural									
(32)	997 553 981 06	cover parking-brake lever		1	XMZ						
		A11 black									
		5X6 stone grey									
		8G2 sand beige									
		3S9 sea blue									
		4P2 palmgreen									
		9S5 terracotta									
		9V6 cocoa									
		D12 dark grey/natural									
		T12 brown/natural									
33	999 591 215 40	expander nut 4,2		2							
		- - - E N D - - -									

Model	Year	MG	SG	Illustration	Restrictions	Update	13:35	17.11.2005	PORSCHE	PET	PORSCHE
997	06	8	10	810-00		194					

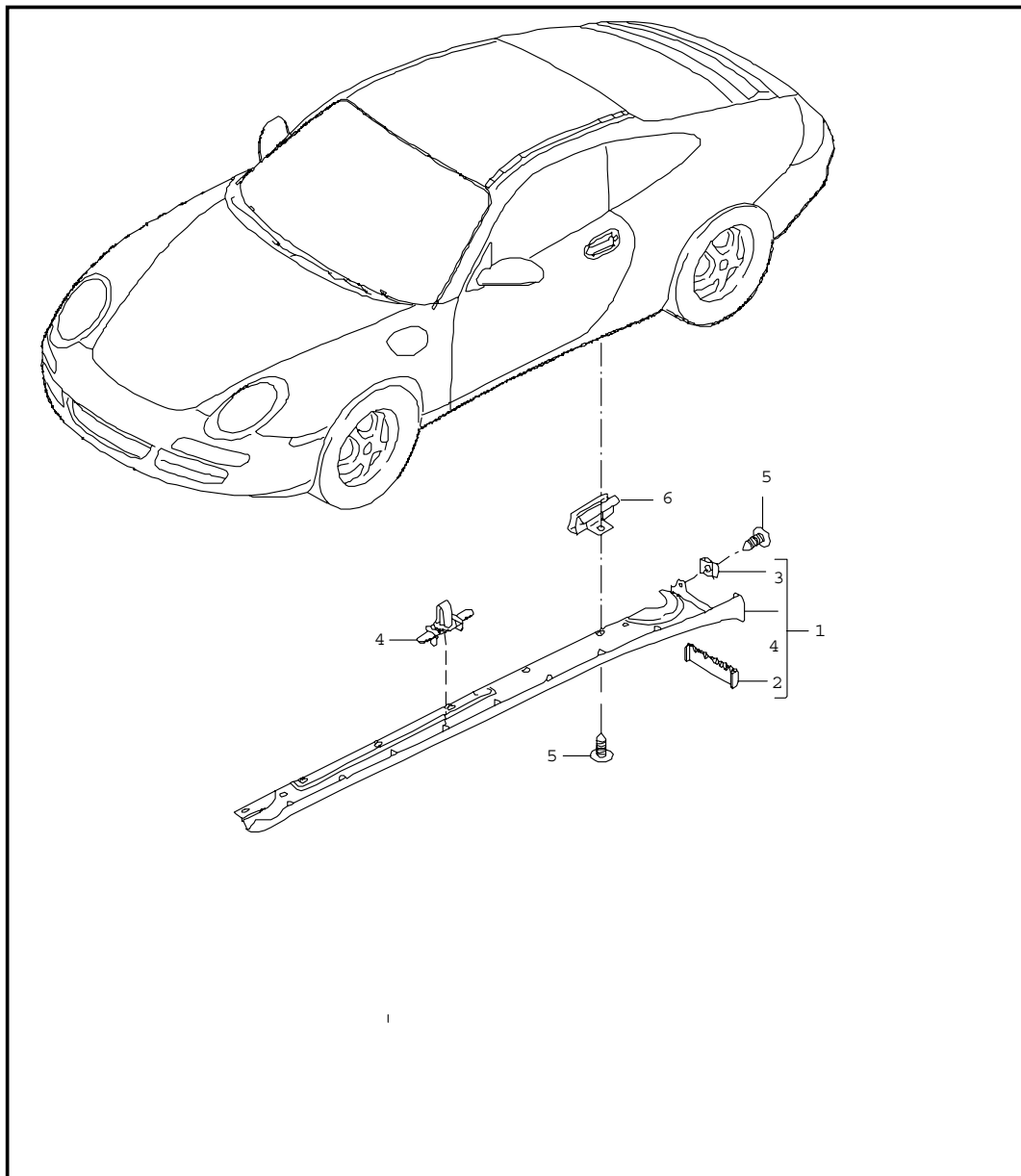


Pos	Part Number	Name	Remarks	Qty	Model
		insignias decorative fittings stone guard film			
1	996 559 211 01	lid emblem		1	
2	7L5 853 611 B	desk pad		1	
3	999 591 423 03	tapping nut		2	
4	997 559 237 00	logo *CARRERA* lacquered titanium		1	C2/C4
(4)	997 559 237 01	logo *CARRERA*		1	C2S/C4S
(4)	997 559 243 00	logo *S*		1	C2S/C4S
(4) N	997 559 241 00	logo *4*		1	C4
(4) N	997 559 241 01	logo *4*		1	C4S
5	997 559 401 00	roof edge strip G2X prime coated	/L	1	
(5)	997 559 402 00	roof edge strip G2X prime coated	/R	1	
6	997 559 721 00	gasket roof edge strip	/L	1	
(6)	997 559 722 00	gasket roof edge strip	/R	1	
7	996 559 403 01	clip		10	
8	996 559 405 01	adapter		10	
9	996 559 729 00	bracket for flap		4	
10	996 559 501 00	flap front G2X prime coated		2	
(10)	996 559 503 00	flap rear G2X prime coated		2	

Model	Year	MG	SG	Illustration	Restrictions	Update						
997	06	8	10	810-00		194	13:35	17.11.2005	PORSCHE	PET	PORSCHE	

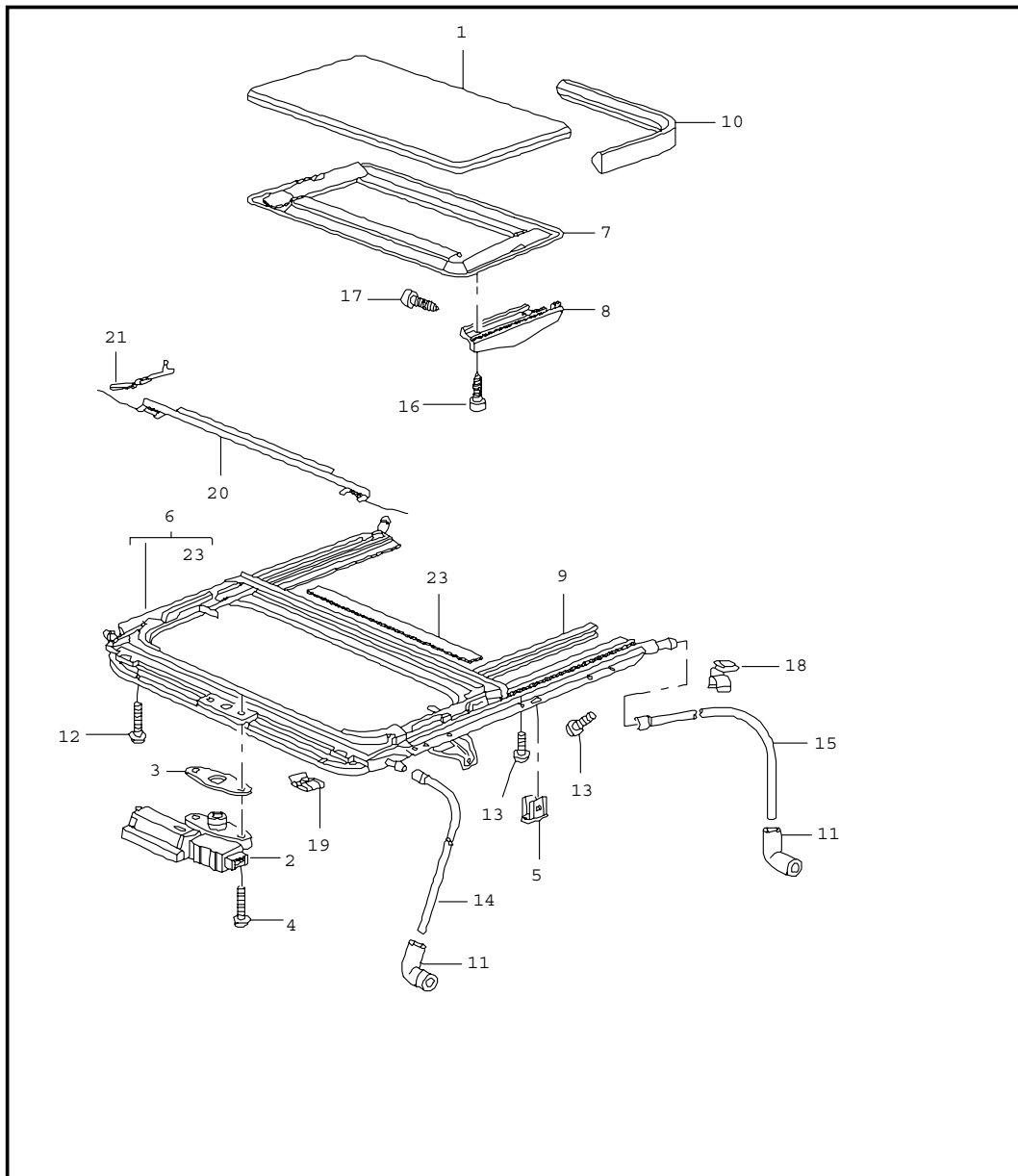
Pos	Part Number	Name	Remarks	Qty	Model	Pos	Part Number	Name	Remarks	Qty	Model
11	997 504 825 01	stone guard film side section	/L	1							
(11)	997 504 826 01	stone guard film side section	/R	1							
		- - - E N D - - -									

Model	Year	MG	SG	Illustration	Restrictions	Update	13:35	17.11.2005	PORSCHE	PET	PORSCHE
997	06	8	10	810-05		194					



Pos	Part Number	Name	Remarks	Qty	Model
		sill cover			CARRERA 4
1	997 504 363 00	sill cover	/L	1	
	01C	satin black			
(1)	997 504 364 00	sill cover	/R	1	
	01C	satin black			
1	997 504 981 00	sill cover	/L	1	IXAJ
	G2X	prime coated			
(1)	997 504 982 00	sill cover	/R	1	IXAJ
	G2X	prime coated			
2	997 504 863 00	rubber lip	/L	1	
	01C	satin black			
(2)	997 504 864 00	rubber lip	/R	1	
	01C	satin black			
3	999 507 795 09	speed nut		4	
		ST 4,8			
4	999 507 986 40	fixing clip		18	
		sill cover			
		9,0 x 1,5			
5	999 073 231 09	tapping screw		24	
		st 4,8 x 16			
6	999 507 640 09	u-clamp		18	
		- - - E N D - - -			

Model	Year	MG	SG	Illustration	Restrictions	Update	13:36	17.11.2005	PORSCHE	PET	PORSCHE
997	06	8	11	811-00		194					

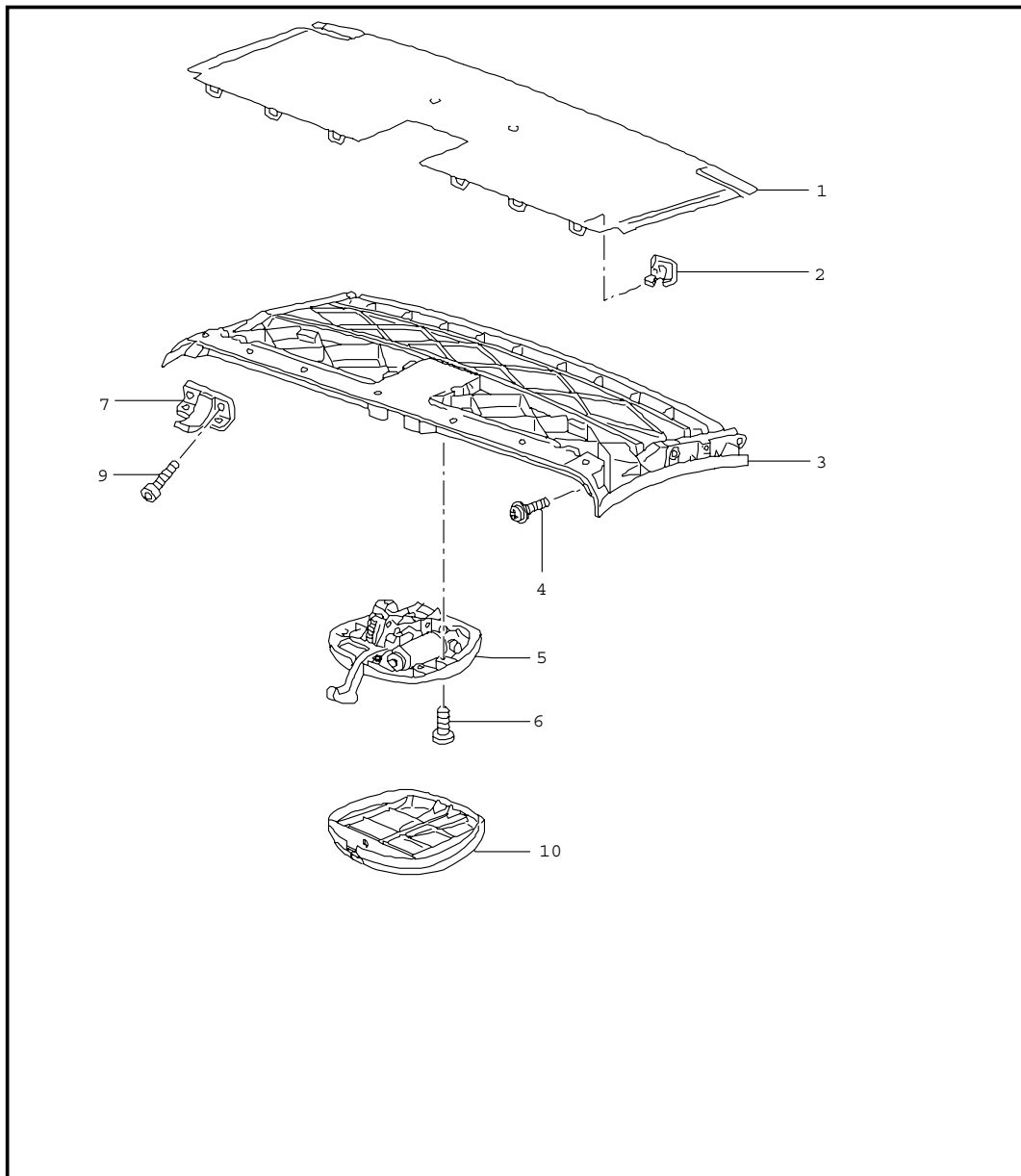


Pos	Part Number	Name	Remarks	Qty	Model
1	996 564 941 01	sunroof cover		1	M 650
	GRV	prime coated			
2	997 624 211 00	driving mechanism		1	
	A14	black			
	B14	stone grey			
	G14	metropole blue			
	T44	sand beige			
	J44	palmgreen			
3	996 564 213 00	spacer		1	
	A14	black			
	B14	stone grey			
	G14	metropole blue			
	T44	sand beige			
	J44	palmgreen			
4	999 073 135 07	oval-head screw		2	
	A14	black			
	B14	stone grey			
	G14	metropole blue			
	T44	sand beige			
	J44	palmgreen			
6	997 564 015 00	frame		1	C4
	A14	black			
	B14	stone grey			
	G14	metropole blue			
	T44	sand beige			
	J44	palmgreen			

Model	Year	MG	SG	Illustration	Restrictions	Update	13:36	17.11.2005	PORSCHE	PET	PORSCHE
997	06	8	11	811-00		194					

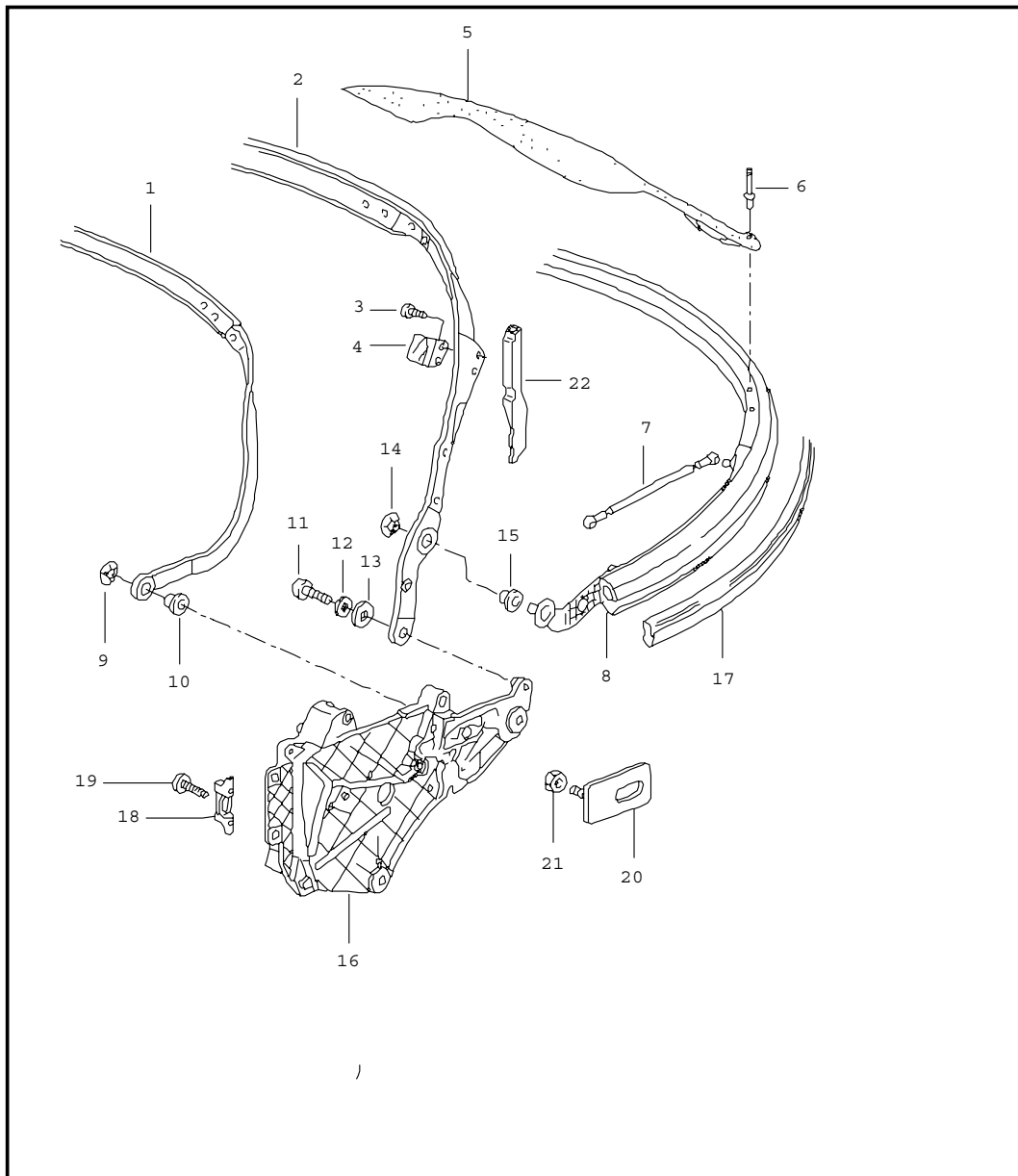
Pos	Part Number	Name	Remarks	Qty	Model	Pos	Part Number	Name	Remarks	Qty	Model
7	996 564 021 04	roof lining alcantara		1		12	999 073 131 02	oval-head screw M6X25	-05	4	
	A14	black				12	999 073 366 02	oval-head screw M6X30	06-	4	
	B14	stone grey				13	999 073 130 02	oval-head screw M6X16		6	
	G14	metropole blue				14	996 564 207 00	water drain hose front		2	
	T44	sand beige				15	996 564 205 01	water drain hose		2	
	J44	palmgreen				16	900 143 133 07	oval-head sheetmetal screw		4	
(7)	996 564 983 00	roof lining leather		1		17	996 564 245 00	screw		4	
	A11	black				18	999 507 631 02	cable holder		6	
	5X6	stone grey				19	999 591 348 02	speed nut		2	
	8G2	sand beige				20	996 564 161 02	air deflector	-05	1	
	3S9	sea blue				20	997 564 161 00	air deflector	06-	1	
	4P2	palmgreen				21	996 564 521 01	hinge		1	
	9S5	terracotta				(21)	996 564 522 01	hinge		1	
	D12	dark grey/natural				--	996 564 950 00	sound absorber		1	
	T12	natural brown				--	997 564 950 00	sound absorber for roof lining		1	C4
	9V6	cocoa				23	996 564 907 01	protective edging		1	
8	996 564 181 00	cover outer	/L	1		--	997 564 903 00	damping piece front		2	
	01C	black				--	997 564 905 00	damping piece rear		2	
	M6X	dark olive-metallic									
(8)	996 564 182 00	cover outer	/R	1							
	01C	black									
	M6X	dark olive-metallic									
9	996 564 241 00	cover inner	/L	1							
(9)	996 564 242 00	cover inner	/R	1							
10	997 564 211 00	gasket		1							
11	996 561 825 00	water drain valve		4							
									- - - E N D - - -		

Model	Year	MG	SG	Illustration	Restrictions	Update	13:36	17.11.2005	PORSCHE	PET	PORSCHE
997	06	8	11	811-05		194					



Pos	Part Number	Name	Remarks	Qty	Model
		convertible top frame			
		front			
		roof frame			
		catch			
1	996 561 963 00	base		1	
2	996 561 731 00	clip		6	
3	997 561 905 00	roof frame		1	
		A09			
		black			
4	996 561 247 00	expansion rivet		6	
5	997 561 117 00	catch		1	
6	999 073 195 09	screw		4	
7	997 561 605 00	centring journal	/L	1	
7	997 561 606 00	centring journal	/L	1	
9	999 919 144 09	screw		4	
10	997 561 515 00	trim	/L	1	
		01C			
		black			
		- - - E N D - - -			

Model	Year	MG	SG	Illustration	Restrictions	Update	13:36	17.11.2005	PORSCHE	PET	PORSCHE
997	06	8	11	811-06		194					

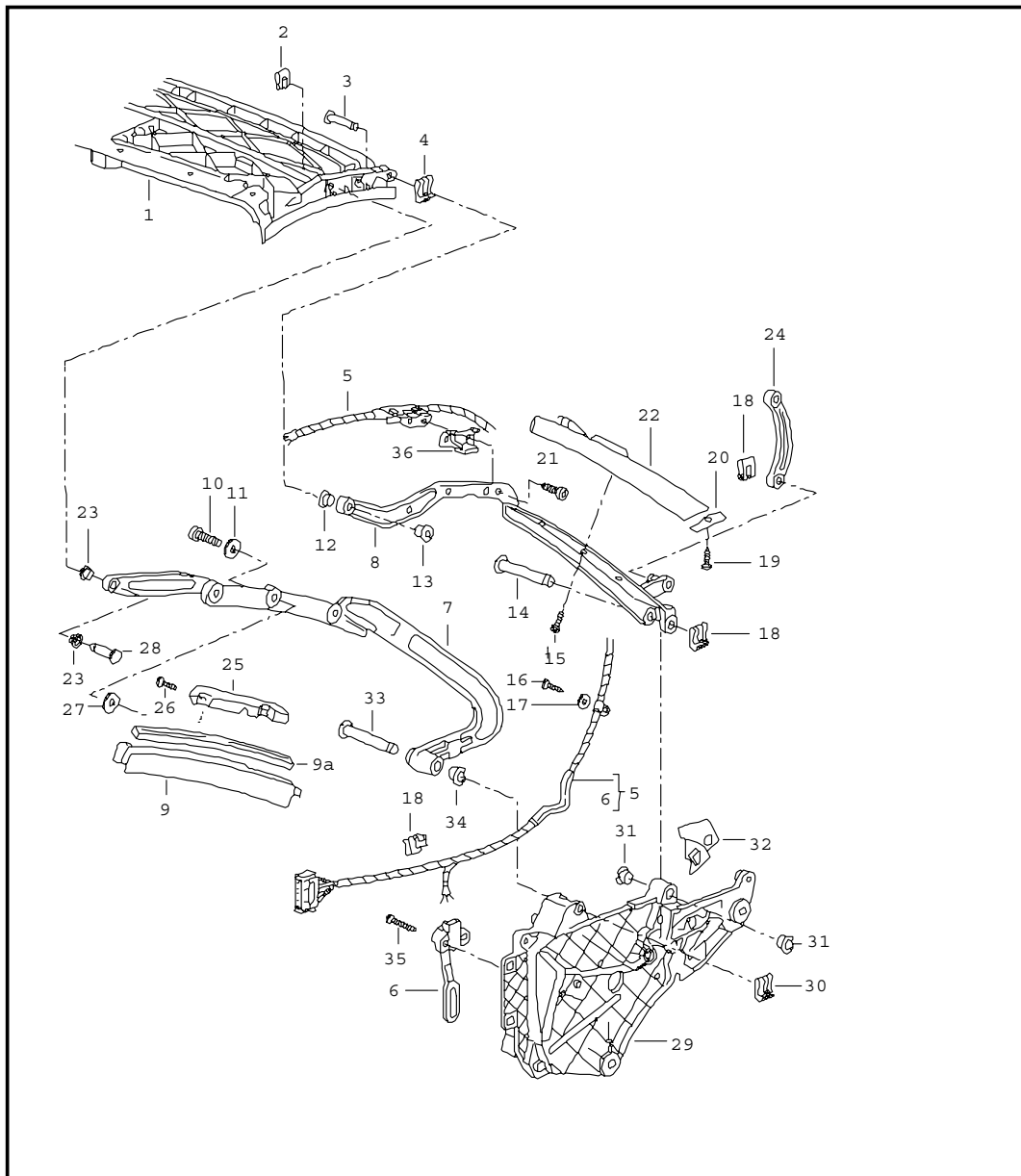


Pos	Part Number	Name	Remarks	Qty	Model
		convertible top frame single parts			
1	996 561 042 01	bow		1	
2	996 561 037 00	bow		1	
3	900 146 003 02	oval-head screw		4	
4	996 561 959 00	thrust wedge		2	
5	997 561 089 01	restraining strap	/L	1	
(5)	997 561 090 01	restraining strap	/R	1	
6	999 190 446 30	rivet		X	
8	996 561 041 01	bow		1	
9	996 561 645 00	lock		4	
10	999 924 122 40	bush		4	
11	999 073 195 09	oval-head screw		2	
12	900 151 006 09	washer		2	
13	999 924 131 30	washer		2	
14	996 561 645 00	lock		4	
15	999 924 122 40	bush		X	
16	996 561 443 00	convertible top support	/L	1	
(16)	996 561 444 00	convertible top support	/R	1	
17	996 561 693 00	additional gasket FUER bow POS.8		1	
18	996 561 735 02	adjusting shim		2	
19	999 073 138 09	screw		2	
20	996 561 715 00	support		2	
21	999 084 630 09	hexagon nut		2	
22	996 561 259 00	gasket	/L	1	
(22)	996 561 260 00	gasket	/R	1	
--	996 561 055 01	bracket for tension rope	/L	1	

Model	Year	MG	SG	Illustration	Restrictions	Update					
997	06	8	11	811-06		194	13:36	17.11.2005	PORSCHE	PET	PORSCHE

Pos	Part Number	Name	Remarks	Qty	Model	Pos	Part Number	Name	Remarks	Qty	Model
--	996 561 056 01	bracket for tension rope  - - - E N D - - -	/R	1							

Model	Year	MG	SG	Illustration	Restrictions	Update	13:36	17.11.2005	PORSCHE	PET	PORSCHE
997	06	8	11	811-07		194					

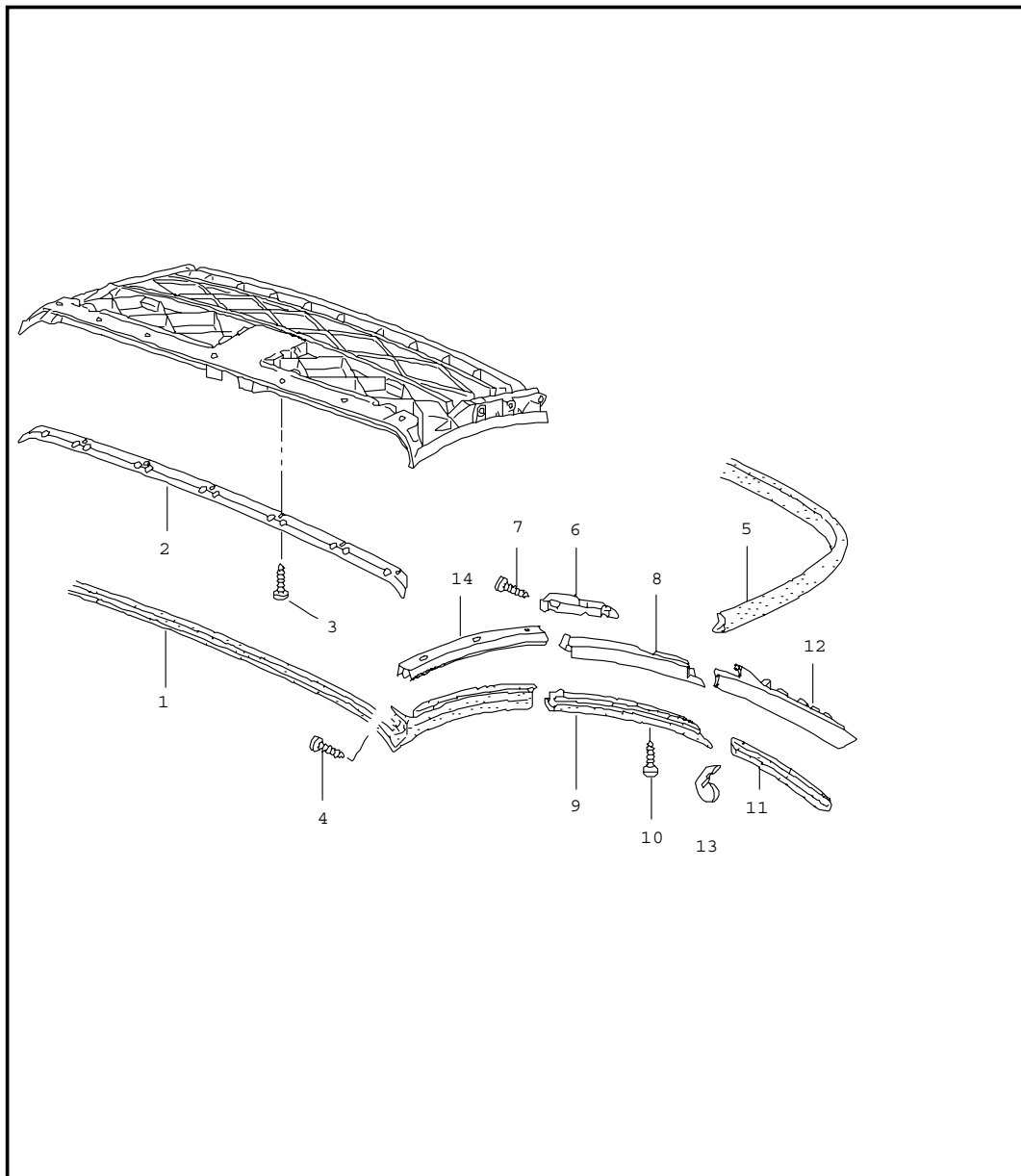


Pos	Part Number	Name	Remarks	Qty	Model
		convertible top frame single parts			
1	997 561 905 00	roof frame		1	
	A09	black			
2	999 166 075 02	lock		X	
3	999 088 050 30	bolt 8X27,8		2	
4	999 166 075 02	lock		X	
5	997 612 698 00	wiring harness		1	
6	996 613 313 02	potentiometer		1	
7	996 561 335 00	roof frame	/L	1	
(7)	996 561 336 00	roof frame	/R	1	
8	996 561 339 00	roof frame	/L	1	
(8)	996 561 340 00	roof frame	/R	1	
9	996 561 355 00	sealing frame	/L	1	
	A09	black			
(9)	996 561 356 00	sealing frame	/R	1	
	A09	black			
9A	996 561 219 00	gasket for sealing frame		2	
10	999 073 195 09	screw M 6X20		X	
11	900 151 006 09	washer		X	
12	999 924 152 00	bush		2	
13	999 924 152 00	bush		2	
14	999 088 031 30	bolt		1	
15	999 919 152 09	oval-head screw		X	
16	900 144 101 02	tapping screw		X	
17	900 151 027 02	washer		8	
18	999 166 076 02	lock		X	
19	999 919 141 09	oval-head screw		4	

Model	Year	MG	SG	Illustration	Restrictions	Update	13:36	17.11.2005	PORSCHE	PET	PORSCHE
997	06	8	11	811-07		194					

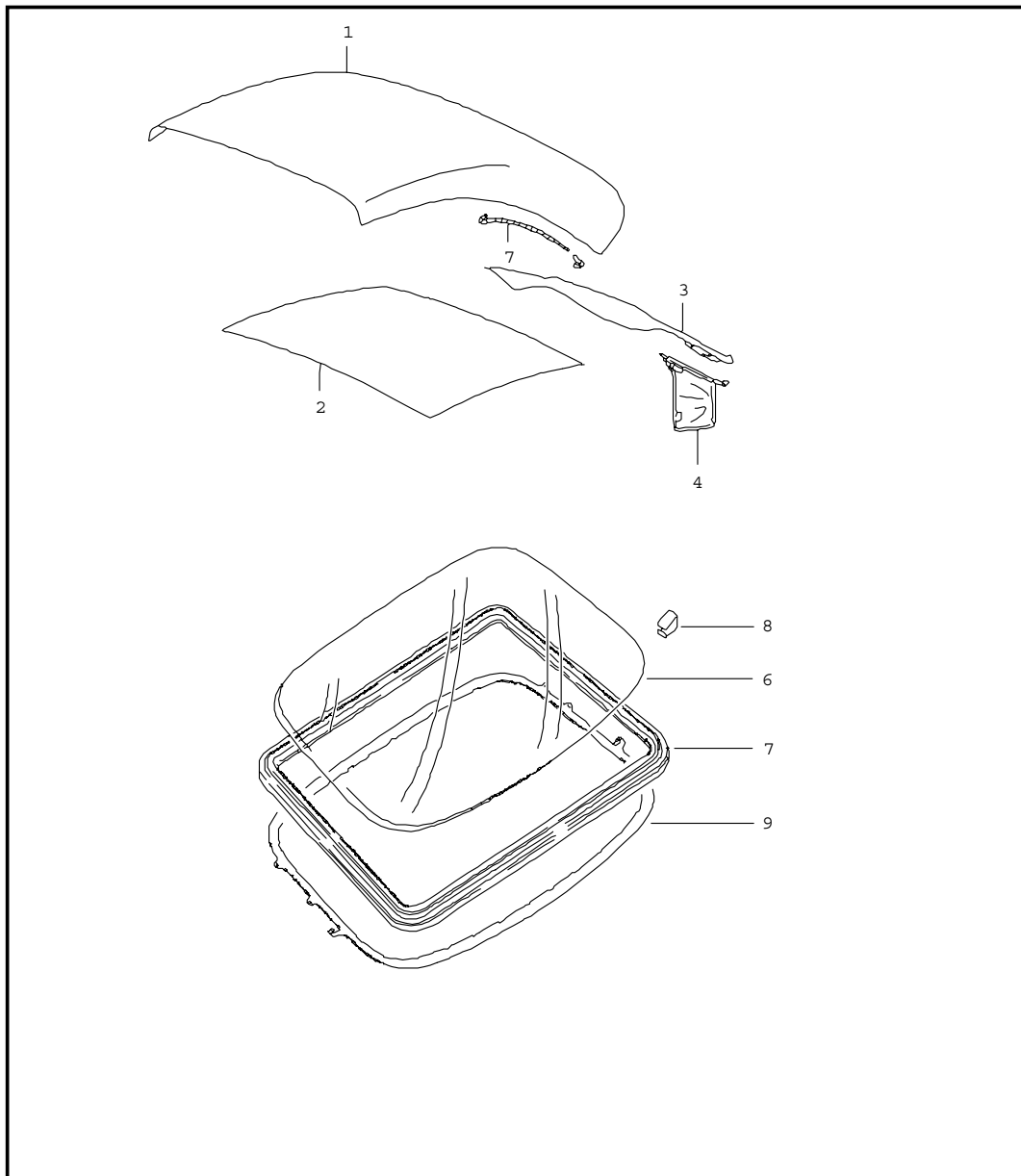
Pos	Part Number	Name	Remarks	Qty	Model	Pos	Part Number	Name	Remarks	Qty	Model
20	996 561 239 00	gasket	/L	1							
(20)	996 561 240 00	gasket	/R	1							
21	N 014 128 13	oval-head screw M5X8		4							
22	996 561 319 00	frame	/L	1							
	A09	black									
(22)	996 561 320 00	frame	/R	1							
	A09	black									
23	999 924 152 00	bush		4							
24	996 561 051 01	lever	/L	1							
(24)	996 561 052 01	lever	/R	1							
25	996 561 535 00	guide	/L	1							
(25)	996 561 536 00	guide	/R	1							
26	999 919 141 09	oval-head screw		4							
27	999 025 267 09	washer		8							
28	999 088 049 30	bolt 8x32,8		2							
29	996 561 443 00	convertible top support	/L	1							
(29)	996 561 444 00	convertible top support	/R	1							
30	999 166 076 02	lock		6							
31	999 924 125 40	bush		4							
32	996 561 249 01	gasket	/L	1							
(32)	996 561 250 01	gasket	/R	1							
33	999 088 031 30	bolt		4							
34	999 924 125 40	bush		4							
35	999 919 152 09	oval-head screw 3,5X8		2							
		- - - E N D - - -									

Model	Year	MG	SG	Illustration	Restrictions	Update	13:36	17.11.2005	PORSCHE	PET	PORSCHE
997	06	8	11	811-09		194					



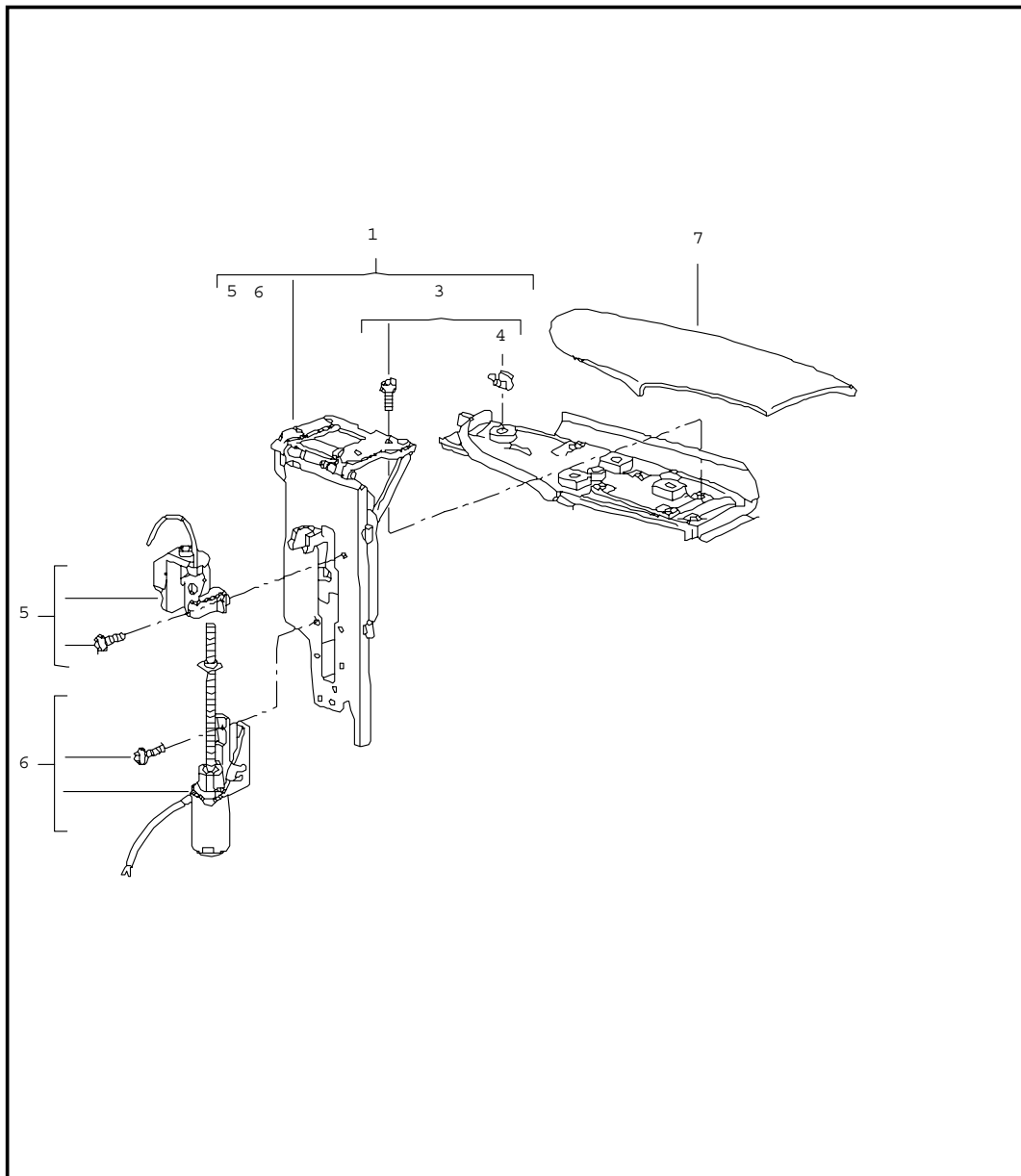
Pos	Part Number	Name	Remarks	Qty	Model
		convertible top seal			
1	997 561 327 00	roof frame seal		1	
2	997 561 501 00	retaining strip		1	
3	999 919 139 09	oval-head screw		7	
4	999 919 139 09	oval-head screw		2	
5	996 561 449 00	gasket		1	
6	996 561 535 00	guide	/L	1	
(6)	996 561 536 00	guide	/R	1	
7	999 919 152 09	oval-head screw		4	
8	996 561 355 00	frame	/L	1	
	A09	black			
(8)	996 561 356 00	frame	/R	1	
	A09	black			
9	996 561 413 00	gasket	/L	1	
9	996 561 414 00	gasket	/R	1	
10	999 919 152 09	oval-head screw		8	
11	996 561 411 00	gasket	/L	1	
(11)	996 561 412 00	gasket	/R	1	
12	996 561 319 00	frame	/L	1	
	A09	black			
(12)	996 561 320 00	frame	/R	1	
	A09	black			
13	996 561 935 00	filler piece set		2	
		- - - E N D - - -			

Model	Year	MG	SG	Illustration	Restrictions	Update	13:37	17.11.2005	PORSCHE	PET	PORSCHE
997	06	8	11	811-10		194					



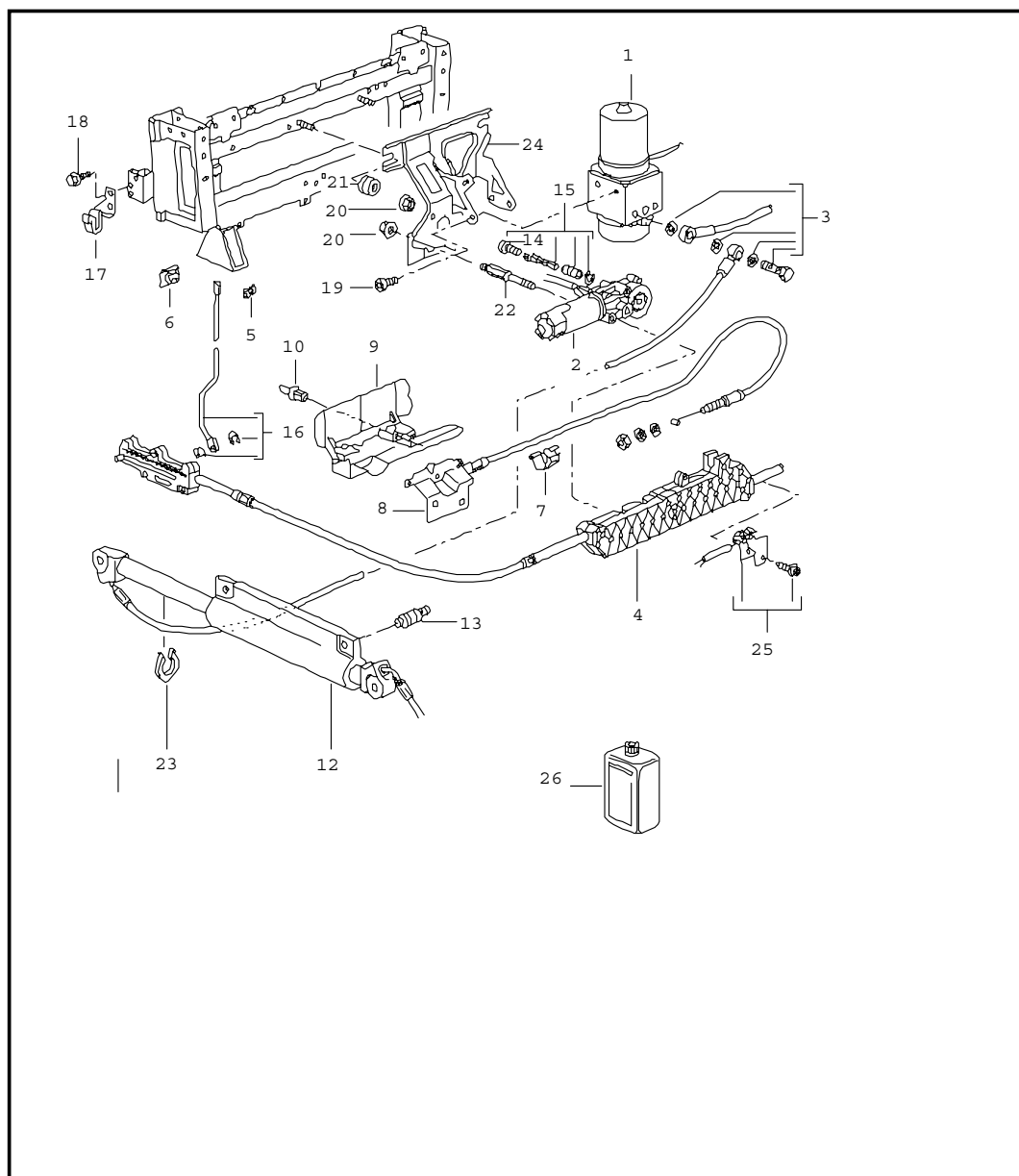
Pos	Part Number	Name	Remarks	Qty	Model
		convertible top covering roof lining			
1	997 561 901 00	convertible top covering without rear window		1	
	A10	black			
	C17	stone grey			
	G02	metropole blue			
	R17	brown			
2	997 561 085 01	roof lining		1	
	A21	black			
3	997 561 089 01	restraining strap	/L	1	
(3)	997 561 090 01	restraining strap	/R	1	
4	997 561 095 01	bag	/L	1	
	A20	black			
(4)	997 561 096 01	bag	/R	1	
	A20	black			
5	996 561 931 01	tension rope		2	
6	996 561 101 00	rear window		1	
7	996 561 331 00	gasket		1	
8	996 561 205 00	clamp		32	
9	996 561 203 00	frame		1	
		- - - E N D - - -			

Model	Year	MG	SG	Illustration	Restrictions	Update	13:37	17.11.2005	PORSCHE	PET	PORSCHE
997	06	8	11	811-11		194					



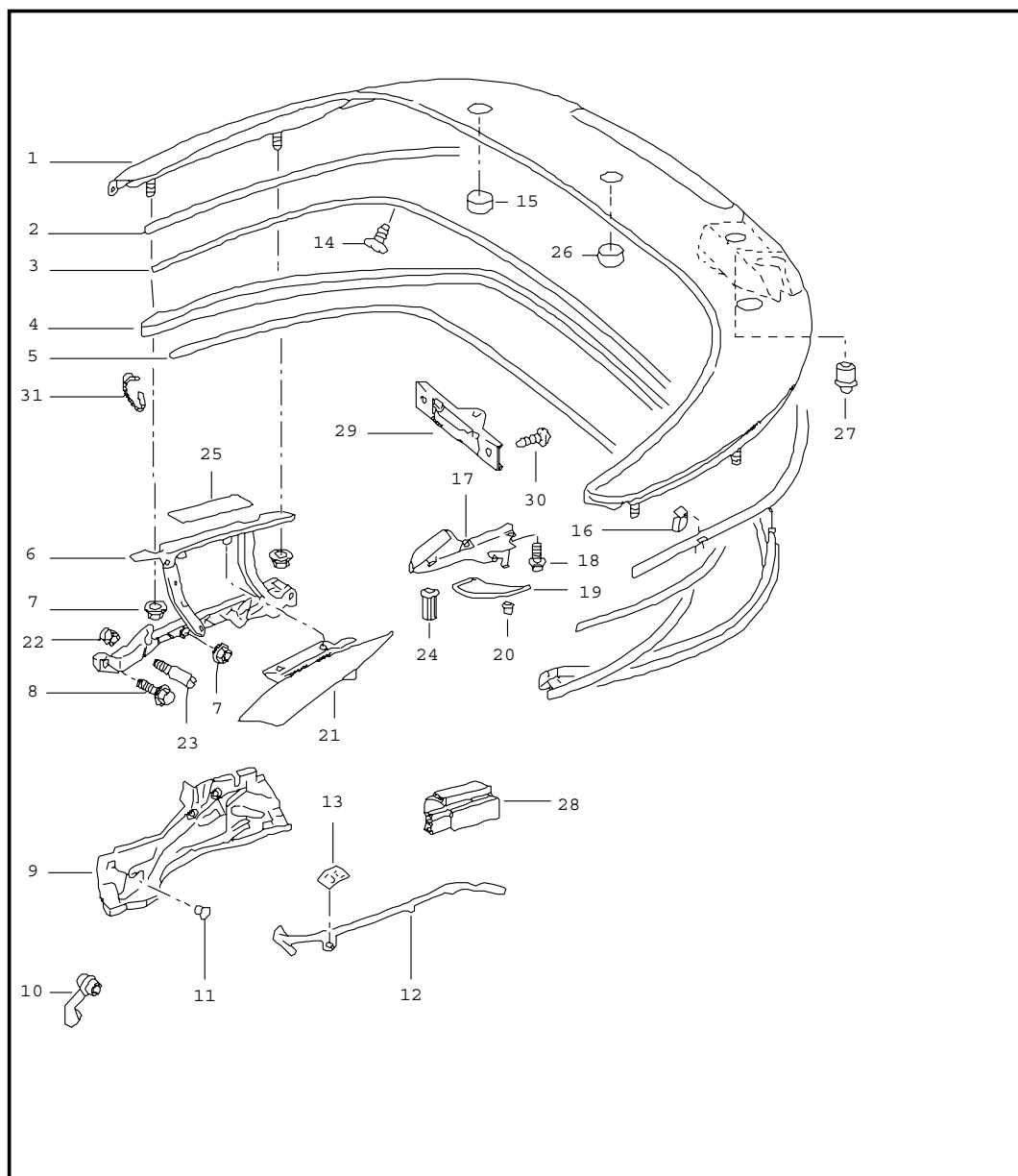
Pos	Part Number	Name	Remarks	Qty	Model
		flap lateral folding top			
1	996 561 175 01	flap	/L	1	
(1)	996 561 176 01	flap	/R	1	
2	996 561 911 00	lower part		1	
(2)	996 561 912 00	lower part		1	
3	996 561 625 00	flap	/L	1	
(3)	996 561 626 00	flap	/R	1	
5	996 561 685 00	microswitch	/L	1	
(5)	996 561 686 00	microswitch	/R	1	
6	996 561 675 00	driving mechanism	/L	1	
(6)	996 561 676 00	driving mechanism	/R	1	
7	--- --- --- --	see illustrations 8/07/07	/R	1	
		- - - E N D - - -			

Model	Year	MG	SG	Illustration	Restrictions	Update	13:37	17.11.2005	PORSCHE	PET	PORSCHE
997	06	8	11	811-12		194					



Pos	Part Number	Name	Remarks	Qty	Model
		convertible top driving mechanism hydraulic			
1	996 561 307 02	pump		1	
2	996 561 933 00	engine		1	
3	996 561 573 00	banjo bolt		2	
4	996 561 021 04	driving mechanism		1	
5	999 166 054 02	lock		2	
6	999 703 425 40	spacer sleeve		2	
7	999 507 683 40	cable holder		X	
8	996 561 065 01	locking device		1	
9	996 561 265 03	lining		1	
10	999 591 941 40	expansion rivet		X	
12	996 561 945 02	cylinder		2	
13	996 561 245 00	bolt		1	
14	996 561 671 00	screw		1	
15	996 561 673 00	repair kit		1	
15	996 561 673 01	repair kit		1	
16	996 561 229 00	push rod	/L	1	
16	996 561 230 00	push rod	/R	1	
18	900 378 173 09	hexagon-head tapping screw		X	
22	996 561 863 01	stud		3	
23	996 561 281 00	retainer		2	
24	996 561 207 01	bracket convertible top compartm. driving mechanism		1	
25	996 561 165 00	microswitch		1	
25	996 561 165 01	microswitch		1	
26	000 043 204 89	OEL 250 ML		X	
		- - - E N D - - -			

Model	Year	MG	SG	Illustration	Restrictions	Update	13:37	17.11.2005	PORSCHE	PET	PORSCHE
997	06	8	11	811-13		194					

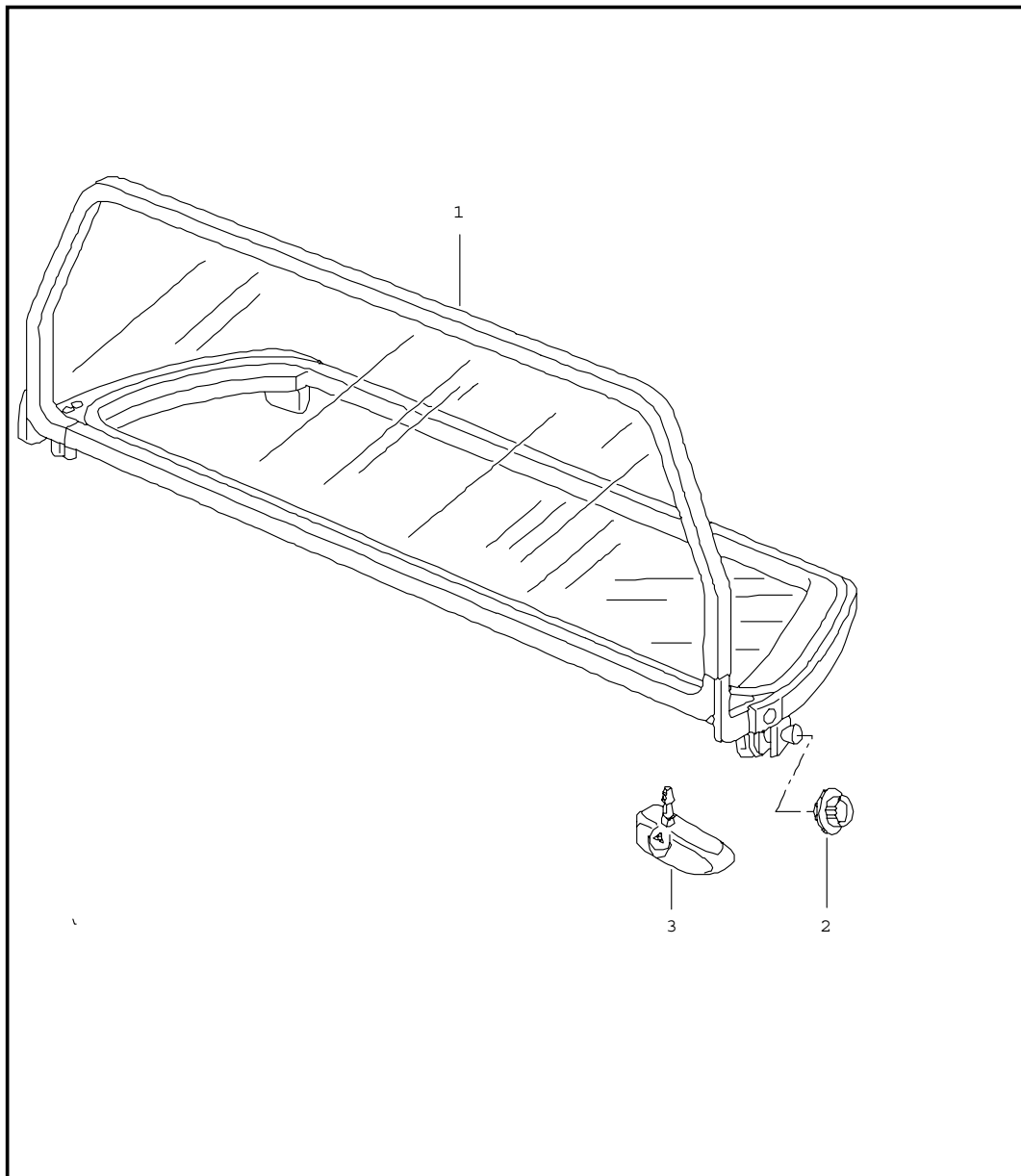


Pos	Part Number	Name	Remarks	Qty	Model
		convertible top compartm. cover gaskets			
1	997 514 011 00	cover		1	
	GRV	prime coated			
2	996 514 631 00	sealing strip		1	
3	996 514 731 00	gasket		1	
4	996 514 714 00	protective edging		1	
5	997 514 211 00	gasket		1	
6	996 561 907 02	hinge	/L	1	
6	996 561 908 02	hinge	/R	1	
7	900 377 003 02	hexagon nut		4	
8	900 378 180 09	hexagon-head bolt		2	
9	996 561 805 03	water drip pan	/L	1	
9	996 561 806 03	water drip pan	/R	1	
10	996 561 815 01	water drain hose	/L	1	
10	996 561 816 01	water drain hose	/R	1	
11	999 703 432 40	plug		2	
12	996 561 755 01	water drain strip		1	
(12)	996 561 756 01	water drain strip		1	
13	999 507 647 02	tab washer		4	
14	999 073 047 02	tapping screw		2	
15	996 561 633 01	buffer		2	
16	999 507 600 09	u-clamp		2	
17	997 514 651 00	mounting	/L	1	
(17)	997 514 652 00	mounting	/R	1	
18	999 073 189 09	oval-head screw		6	
19	996 504 861 00	cover	/L	1	
	GRV	prime coated			
(19)	996 504 862 00	cover	/R	1	

Model	Year	MG	SG	Illustration	Restrictions	Update					
997	06	8	11	811-13		194	13:37	17.11.2005	PORSCHE	PET	PORSCHE

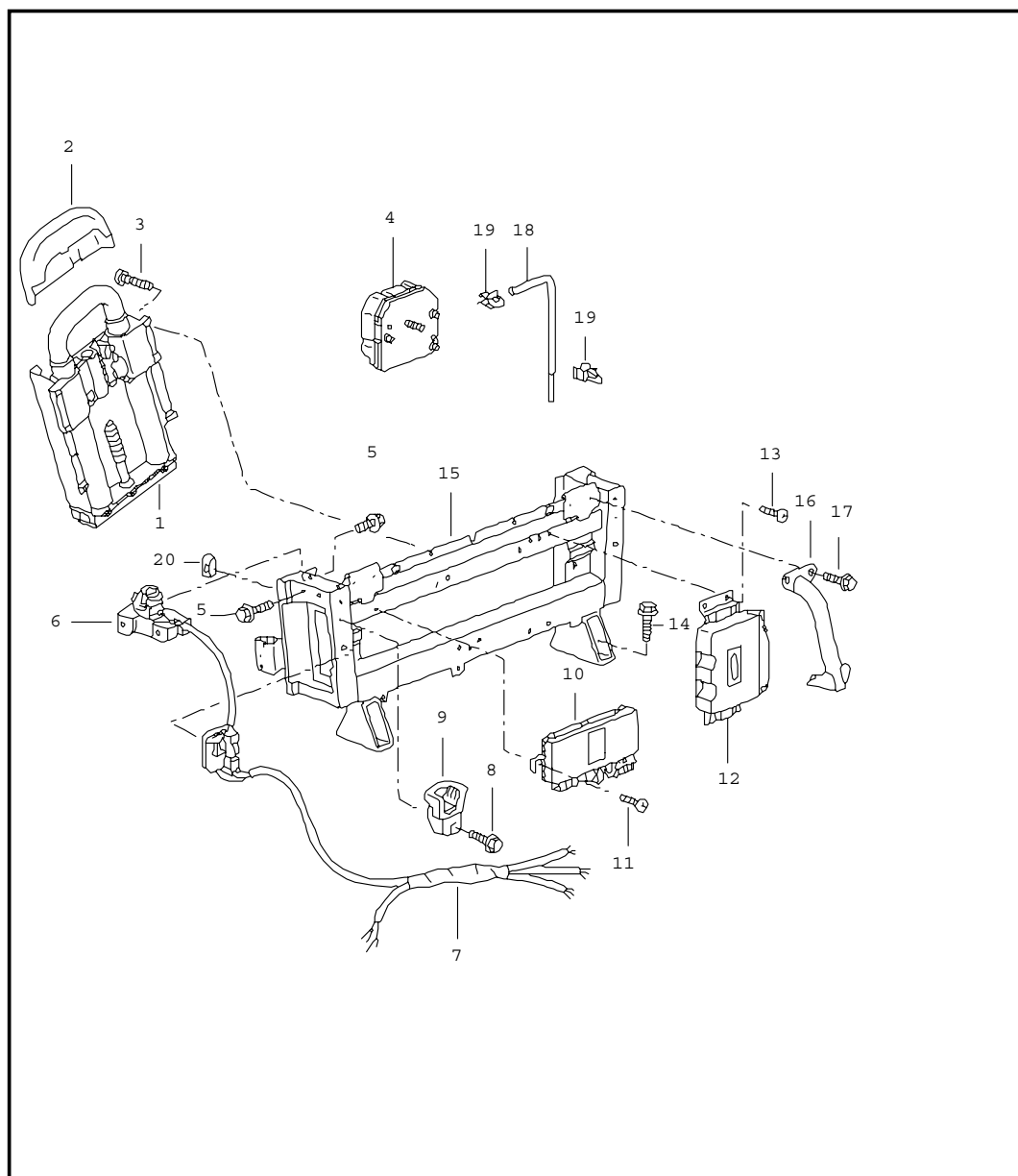
Pos	Part Number	Name	Remarks	Qty	Model	Pos	Part Number	Name	Remarks	Qty	Model
	GRV	prime coated									
21	996 561 061 02	flap	/L	1							
(21)	996 561 062 02	flap	/R	1							
22	999 500 086 02	blind rivet nut		4							
(24)	996 504 855 01	mounting		4							
25	996 561 904 00	adhesive plate		X							
26	986 561 633 01	buffer		1							
27	999 703 140 40	buffer		1							
28	996 561 401 00	stop	/L	1							
(28)	996 561 402 00	stop	/R	1							
29	996 561 465 00	clip		1							
30	999 073 130 02	oval-head screw		2							
31	996 514 511 00	clip		2							
32	997 561 801 00	stop -2MM		2							
32	997 561 801 01	stop -1MM		2							
32	997 561 801 02	stop +-0		2							
32	997 561 801 03	stop +1MM		2							
32	997 561 801 04	stop +2MM		2							
32	997 561 801 05	stop +3MM		2							
		- - - E N D - - -									

Model	Year	MG	SG	Illustration	Restrictions	Update	13:37	17.11.2005	PORSCHE	PET	PORSCHE
997	06	8	11	811-14		194					



Pos	Part Number	Name	Remarks	Qty	Model
		wind deflector			
1	996 561 125 03	wind deflector		1	
	01C	black			
2	996 561 127 00	rose	/L	1	
	01C	black			
2	996 561 128 00	rose	/R	1	
	01C	black			
3	996 561 955 00	repair kit	/L	1	
(3)	996 561 956 00	repair kit	/R	1	
- - - E N D - - -					

Model	Year	MG	SG	Illustration	Restrictions	Update	13:37	17.11.2005	PORSCHE	PET	PORSCHE
997	06	8	11	811-15		194					

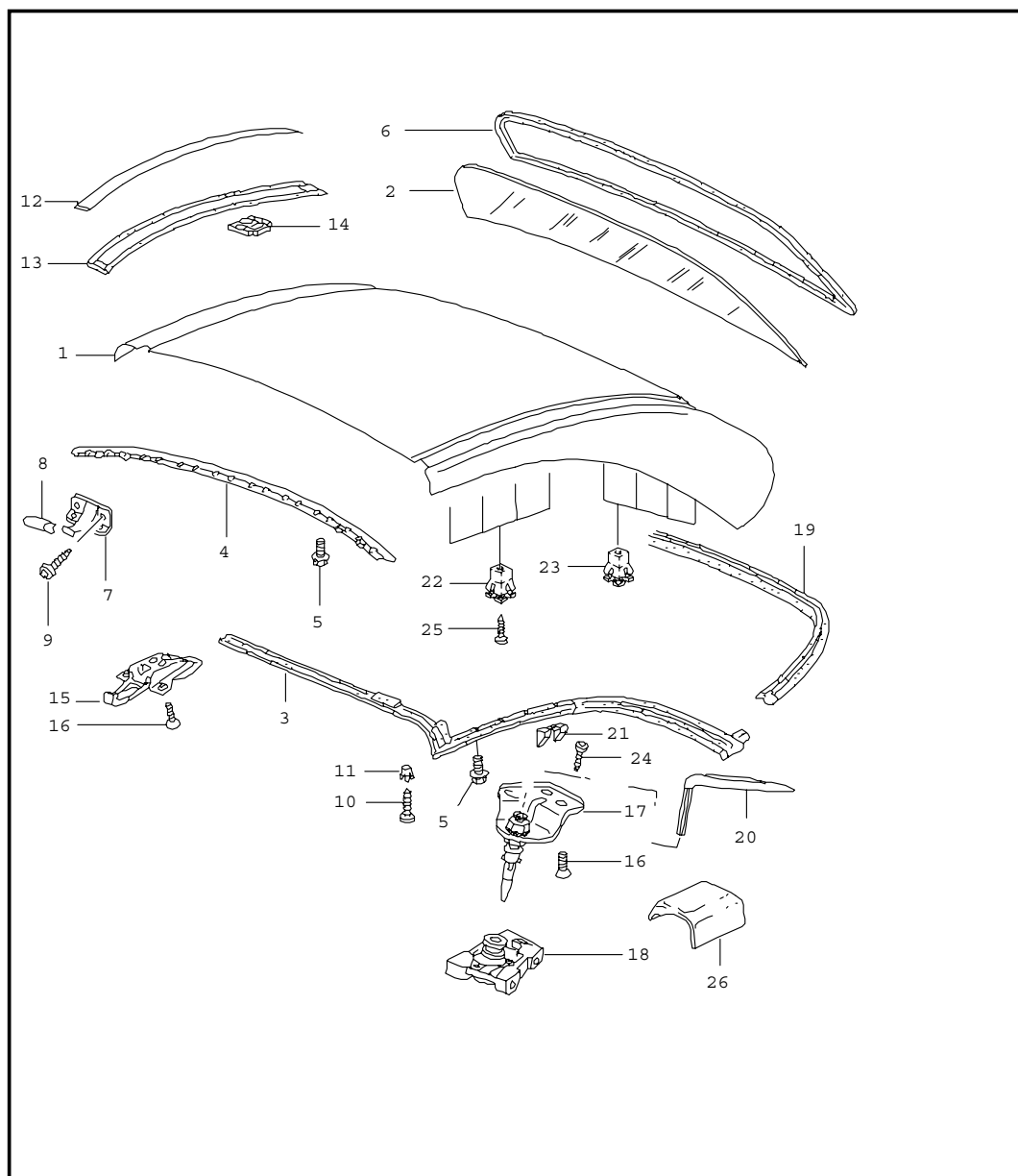


Pos	Part Number	Name	Remarks	Qty	Model
		roll-over bar			CABRIO
1	997 580 021 01	roll-over bar		2	
2	996 580 191 01	cap		2	
3	900 067 382 09	hexagon-head bolt		12	
4	996 618 281 00	control unit		1	
5	900 378 173 09	hexagon-head bolt		4	
-	999 084 635 02	shear-off nut		3	
6	996 561 653 04	mounting	/L	1	
(6)	996 561 654 04	mounting	/R	1	
7	997 612 696 00	wiring harness		1	
8	900 378 173 09	hexagon-head bolt		2	
9	996 561 463 02	guide	/L	1	
(9)	996 561 464 02	guide	/R	1	
10	997 618 111 02	control unit		1	
11	999 073 060 02	tapping screw		X	
12	---	see group 9/01/03		X	
13	999 073 060 02	tapping screw		X	
14	999 072 033 09	hexagon-head bolt		4	
15	997 580 311 02	auxiliary support		1	
--	999 590 050 40	catch		4	
--	999 650 176 40	clip		3	
16	997 580 331 02	bracket	/L	1	
(16)	997 580 332 02	bracket	/R	1	
17	900 378 101 09	hexagon-head bolt		X	
18	999 571 079 03	angular screw driver		1	
19	999 507 633 40	retaining clip		2	
20	996 561 457 00	sleeve		2	
21	996 561 297 00	insert	/L	1	
(21)	996 561 298 00	insert	/R	1	

Model	Year	MG	SG	Illustration	Restrictions	Update					
997	06	8	11	811-15		194	13:37	17.11.2005	PORSCHE	PET	PORSCHE

Pos	Part Number	Name	Remarks	Qty	Model	Pos	Part Number	Name	Remarks	Qty	Model
22	999 217 166 01	hexagon-head bolt M 10X55		2							
		- - - E N D - - -									

Model	Year	MG	SG	Illustration	Restrictions	Update	13:38	17.11.2005	PORSCHE	PET	PORSCHE
997	06	8	11	811-16		194					

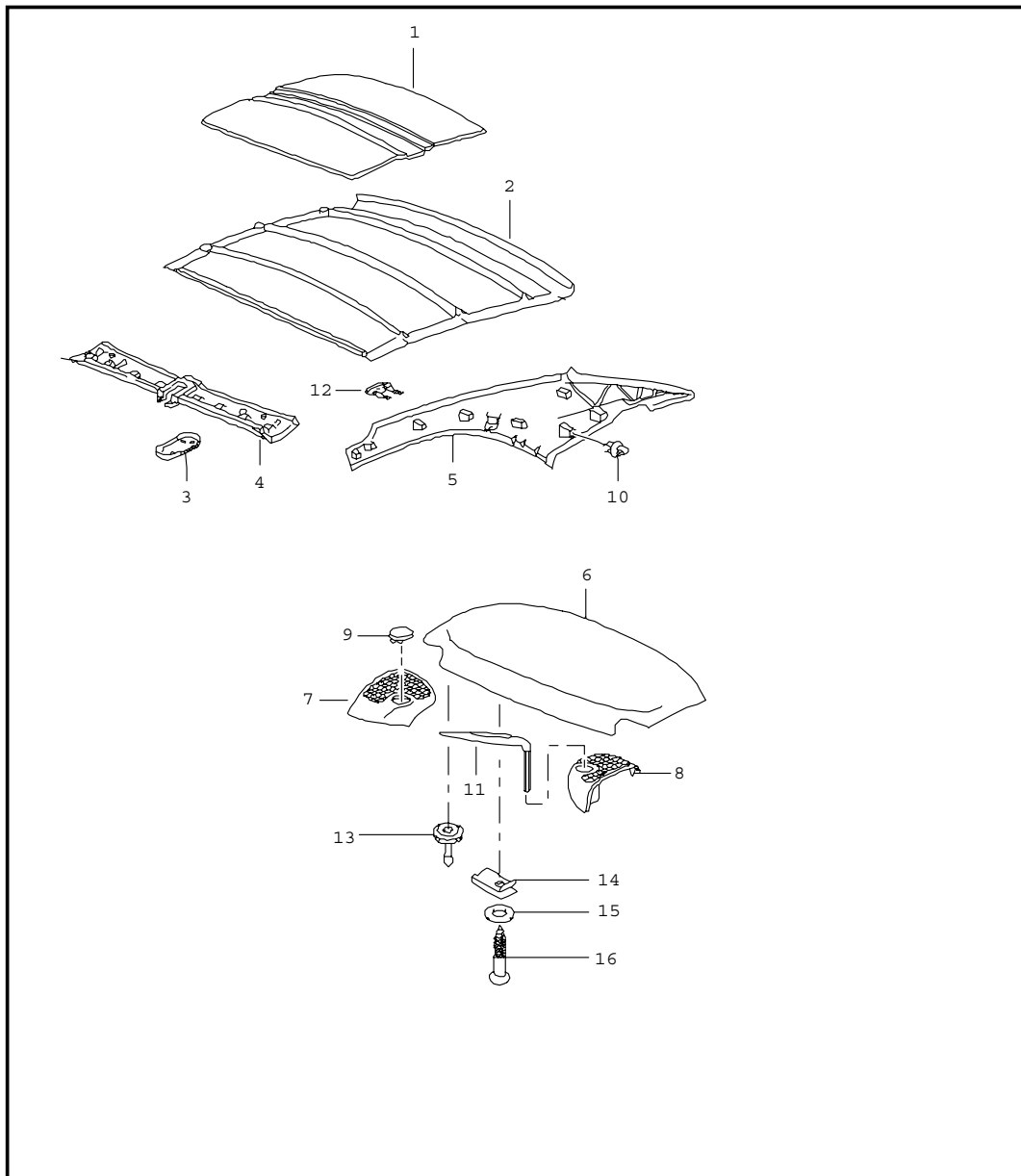


Pos	Part Number	Name	Remarks	Qty	Model
		hardtop accessories gaskets			M 55
1	996 563 911 00	hardtop		1	
		GRV prime coated without accessories			
2	996 563 091 00	rear window ready for installation		1	
3	997 563 225 00	roof frame seal		1	
--	996 563 309 00	retaining strip	/L	1	
--	996 563 310 00	retaining strip	/R	1	
4	996 563 319 00	retaining strip		1	
6	996 563 029 00	gasket		1	
7	996 563 405 00	centring journal	/L	1	
(7)	996 563 406 00	centring journal	/R	1	
8	996 563 705 01	cap	/L	1	
8	996 563 706 01	cap	/R	1	
9	999 919 144 09	oval-head screw		4	
10	999 073 049 02	tapping screw		14	
11	999 507 547 40	expander nut		8	
12	996 563 707 00	cover strip	/L	1	
		GRV prime coated			
(12)	996 563 708 00	cover strip	/R	1	
		GRV prime coated			
13	996 563 361 00	gasket	/L	1	
(13)	996 563 362 00	gasket	/R	1	
14	986 563 721 00	clip		8	
15	996 563 401 00	catch		1	
16	900 378 030 09	hexagon-head bolt M 6X20		3	
17	996 563 403 04	catch	/L	1	

Model	Year	MG	SG	Illustration	Restrictions	Update	13:38	17.11.2005	PORSCHE	PET	PORSCHE
997	06	8	11	811-16		194					

Pos	Part Number	Name	Remarks	Qty	Model	Pos	Part Number	Name	Remarks	Qty	Model
(17)	996 563 404 04	catch	/R	1							
18	996 561 653 04	mounting	/L	1							
--	996 561 657 02	insert		1							
--	900 249 031 09	countersunk-head screw		6							
(18)	996 561 654 04	mounting	/R	1							
--	996 561 658 02	insert		1							
19	996 563 027 01	gasket		1							
20	996 563 413 01	tool		1							
21	996 563 125 00	thrust wedge		2							
22	999 507 923 40	expander nut green		8							
23	999 507 924 40	expander nut yellow		8							
24	999 450 008 09	tapping screw		2							
25	999 073 049 02	tapping screw		16							
26	996 563 421 01	protective tab		2							
--	999 507 659 40	expander nut	/L	1							
--	999 507 662 40	expander nut hardtop support for contact	/R	1							
		- - - E N D - - -									

Model	Year	MG	SG	Illustration	Restrictions	Update	13:38	17.11.2005	PORSCHE	PET	PORSCHE
997	06	8	11	811-17		194					

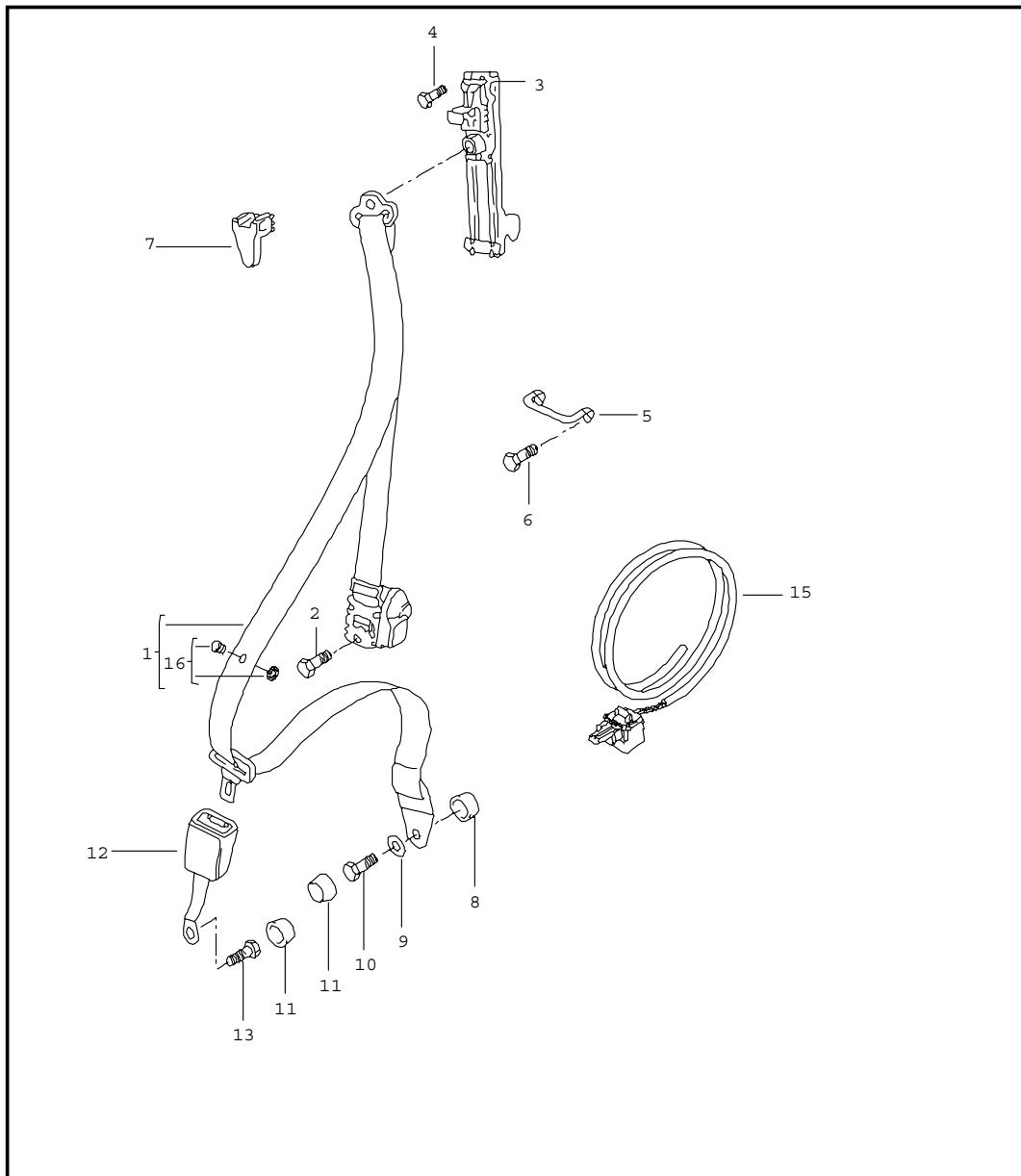


Pos	Part Number	Name	Remarks	Qty	Model
		hardtop sound absorber			M 55
1	996 563 523 00	sound absorber		1	
2	996 563 111 00	inner lining		1	
	A20	black			
3	996 563 551 00	trim		1	
	01C	black			
4	997 563 501 00	lining leatherette		1	
	1MZ	black			
	1TK	sand beige			
	1UL	palmgreen			
	1VM	sea blue			
	1YP	stone grey			
5	997 563 503 00	lining	/L	1	
	1MZ	black			
	1TK	sand beige			
	1UL	palmgreen			
	1VM	sea blue			
	1YP	stone grey			
(5)	997 563 504 00	lining leather	/R	1	
	1MZ	black			
	1TK	sand beige			
	1UL	palmgreen			
	1VM	sea blue			
	1YP	stone grey			
6	996 563 505 00	lining		1	
	A07	black			
	B07	space grey			
	C07	graphite grey			

Model	Year	MG	SG	Illustration	Restrictions	Update	13:38	17.11.2005	PORSCHE	PET	PORSCHE
997	06	8	11	811-17		194					

Pos	Part Number	Name	Remarks	Qty	Model	Pos	Part Number	Name	Remarks	Qty	Model
	G07	metropole blue									
7	996 563 554 00	lining	/R	1							
	A10	black									
	B50	space grey									
	C50	graphite grey									
	G10	metropole blue									
8	996 563 553 00	lining	/L	1							
	A10	black									
	B50	space grey									
	C50	graphite grey									
	G10	metropole blue									
9	996 555 457 00	cover		2							
	A10	black									
	C50	graphite grey									
	G10	metropole blue									
	B50	space grey									
10	999 507 764 40	clip		X							
11	996 563 413 01	tool		1							
12	996 563 561 00	rubber stop		2							
	01C	black for sun visors									
13	999 507 764 40	clip		X							
15	900 151 027 02	washer		2							
16	900 143 046 02	tapping screw		2							
		- - - E N D - - -									

Model	Year	MG	SG	Illustration	Restrictions	Update	13:38	17.11.2005	PORSCHE	PET	PORSCHE
997	06	8	12	812-00		194					

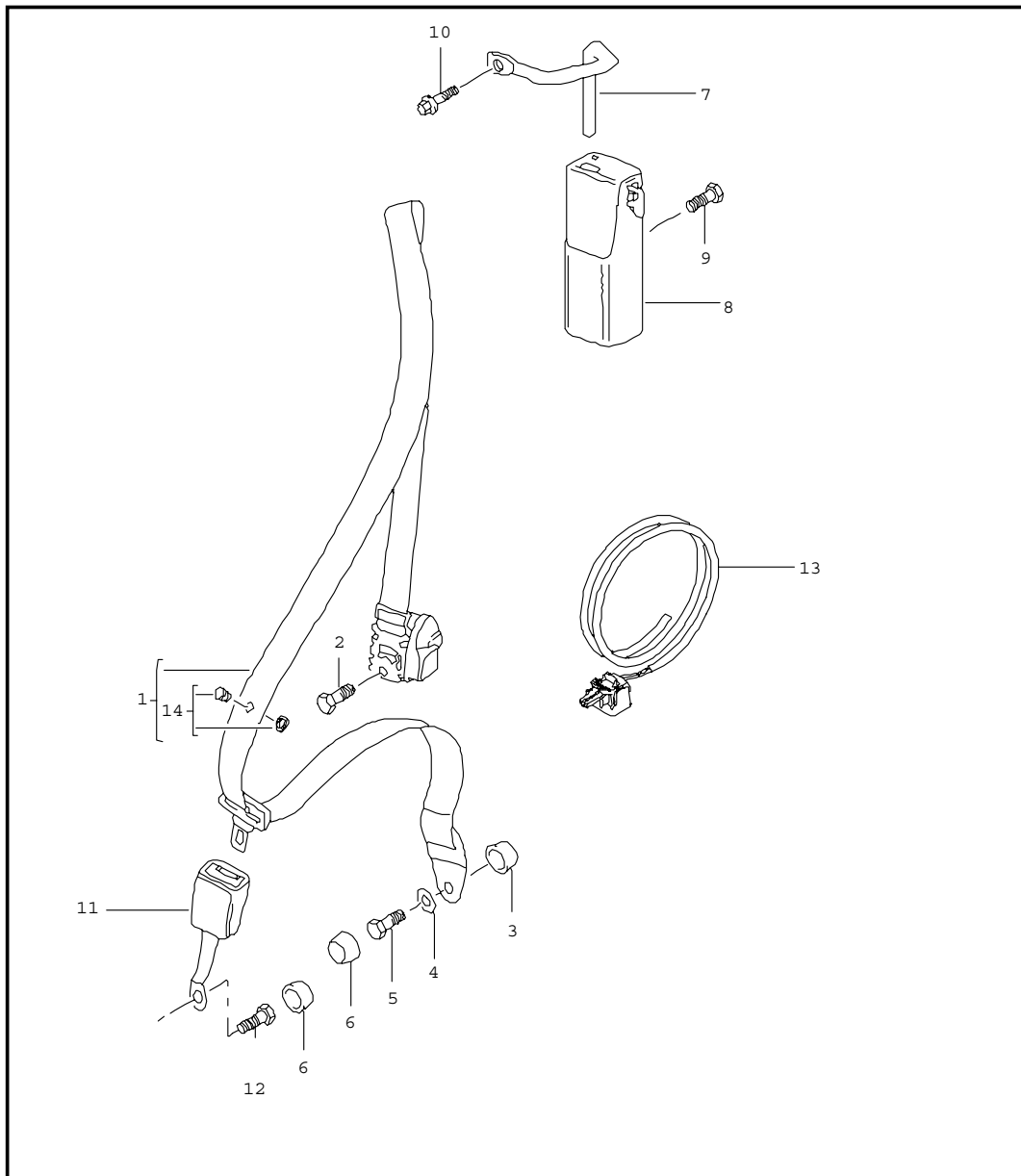


Pos	Part Number	Name	Remarks	Qty	Model
		seat belt front			COUPE
1	997 803 033 00	seat belt	/L -05	1	
	A23	black			
1	997 803 033 02	seat belt	/L 06-	1	
	A23	black			
(1)	997 803 034 02	seat belt	/R -05	1	
	A23	black			
(1)	997 803 034 06	seat belt	/R 06-	1	
	A23	black			
1	997 803 033 00	seat belt	/L -05	1	
	N13	guards red			
	U01	silver			
	V02	speed yellow			
1	997 803 033 02	seat belt	/L 06-	1	
	N13	guards red			
	U01	silver			
	V02	speed yellow			
(1)	997 803 034 02	seat belt	/R -05	1	
	N13	guards red			
	U01	silver			
	V02	speed yellow			
(1)	997 803 034 06	seat belt	/R 06-	1	
	N13	guards red			
	U01	silver			
	V02	speed yellow			
2	999 075 070 09	fastening screw		2	
3	997 803 231 00	height adjustment		2	
4	900 067 131 02	pan-head screw		2	
5	996 803 825 01	relay lever		2	

Model	Year	MG	SG	Illustration	Restrictions	Update	13:38	17.11.2005	PORSCHE	PET	PORSCHE
997	06	8	12	812-00		194					

Pos	Part Number	Name	Remarks	Qty	Model	Pos	Part Number	Name	Remarks	Qty	Model
6	900 378 036 09	hexagon-head bolt		4							
--	999 028 021 01	spring washer B 14,2		2							
7	997 803 521 00	cover		2							
	A03	black									
8	999 924 064 02	spacer sleeve		2							
9	211 857 771	washer		2							
10	999 075 073 09	screw		2							
11	811 857 845	cap		2							
	01C	black									
12	997 803 183 01	seat-belt buckle driver's side		2	I 099/553						
	HCP	black									
(12)	996 803 183 08	seat-belt buckle passenger's side		2	I 098/099						
	HCP	black									
13	999 218 101 02	fastening screw		2							
	HCP	black									
15	--- --- --- --	cable for seat-belt tensioner see group 9/02/10		X							
	HCP	black									
16	955 803 056 00	knob		2							
	HCP	black									
17	997 803 334 00	clamping piece		2							
	01C	black									
		- - - E N D - - -									

Model	Year	MG	SG	Illustration	Restrictions	Update	13:38	17.11.2005	PORSCHE	PET	PORSCHE
997	06	8	12	812-01		194					

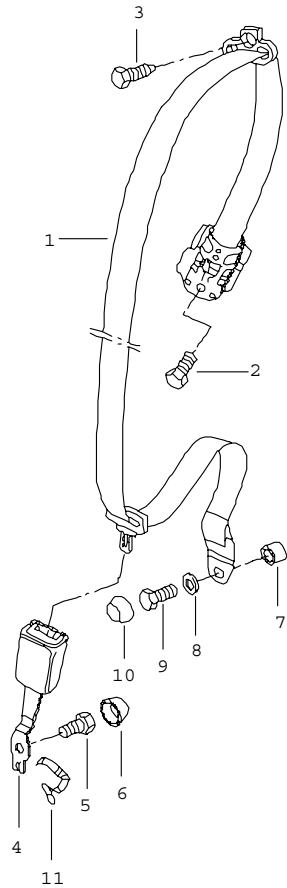


Pos	Part Number	Name	Remarks	Qty	Model
		seat belt front			CABRIO
1	997 803 033 01	seat belt	/L -05	1	
	A23	black			
	N13	guards red			
	V02	speed yellow			
	U01	silver			
1	997 803 033 03	seat belt	/L 06-	1	
	A23	black			
	N13	guards red			
	V02	speed yellow			
	U01	silver			
(1)	997 803 034 01	seat belt	/R -05	1	
	A23	black			
	N13	guards red			
	V02	speed yellow			
	U01	silver			
(1)	997 803 034 05	seat belt	/R 06-	1	
	A23	black			
	N13	guards red			
	V02	speed yellow			
	U01	silver			
(1)	997 803 034 03	seat belt	/R -05	1	
	A23	black			
	N13	guards red			
	V02	speed yellow			
	U01	silver			
(1)	997 803 034 07	seat belt	/R 06-	1	
	A23	black			
	N13	guards red			

Model	Year	MG	SG	Illustration	Restrictions	Update	13:38	17.11.2005	PORSCHE	PET	PORSCHE
997	06	8	12	812-01		194					

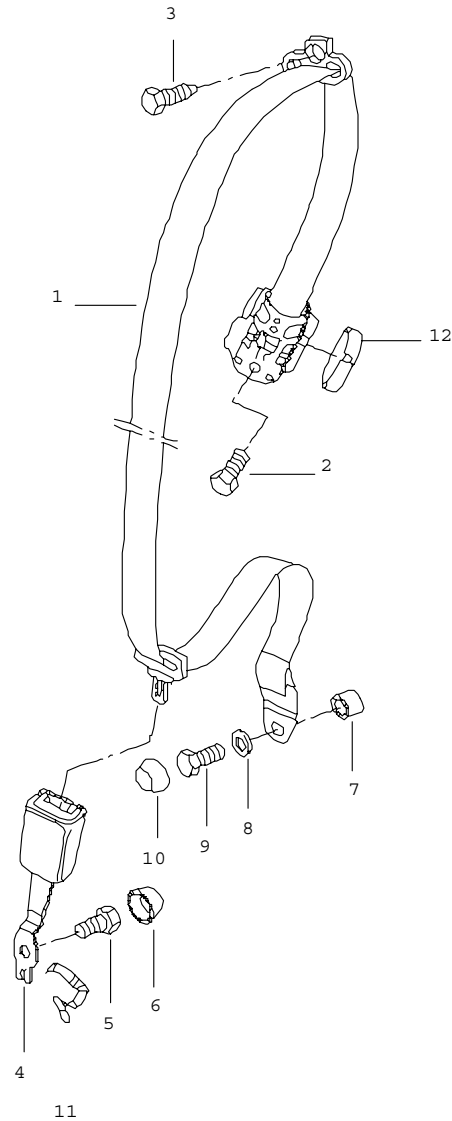
Pos	Part Number	Name	Remarks	Qty	Model	Pos	Part Number	Name	Remarks	Qty	Model
	V02	speed yellow				13	---	cable		X	
	U01	silver						for			
2	999 075 070 09	fastening screw		2				seat-belt tensioner			
	HCP	black						see group			
								9/02/10			
3	999 924 064 02	spacer sleeve		2		14	955 803 056 00	knob		2	
	HCP	black					HCP	black			
4	211 857 771	washer		2		15	955 803 334 00	clamping piece		2	
	HCP	black					01C	black			
5	999 075 073 09	fastening screw		2				- - - E N D - - -			
	HCP	black									
6	811 857 845	cap		2							
	HCP	black									
7	996 803 815 00	reverse lever	/L	1							
	HCP	black									
7	996 803 816 00	reverse lever	/R	1							
	HCP	black									
8	996 803 581 00	mounting	/L	1							
	HCP	black									
8	996 803 582 00	mounting	/R	1							
	HCP	black									
10	900 378 017 09	fastening screw		2							
		seat-belt buckle		2							
		driver's side									
		passenger's side									
	HCP	black									
(11)	997 803 183 01	seat-belt buckle		2							
		driver's side									
	HCP	black									
12	999 218 101 02	fastening screw		2							
	HCP	black									

Model	Year	MG	SG	Illustration	Restrictions	Update	13:38	17.11.2005	PORSCHE	PET	PORSCHE
997	06	8	12	812-05		194					



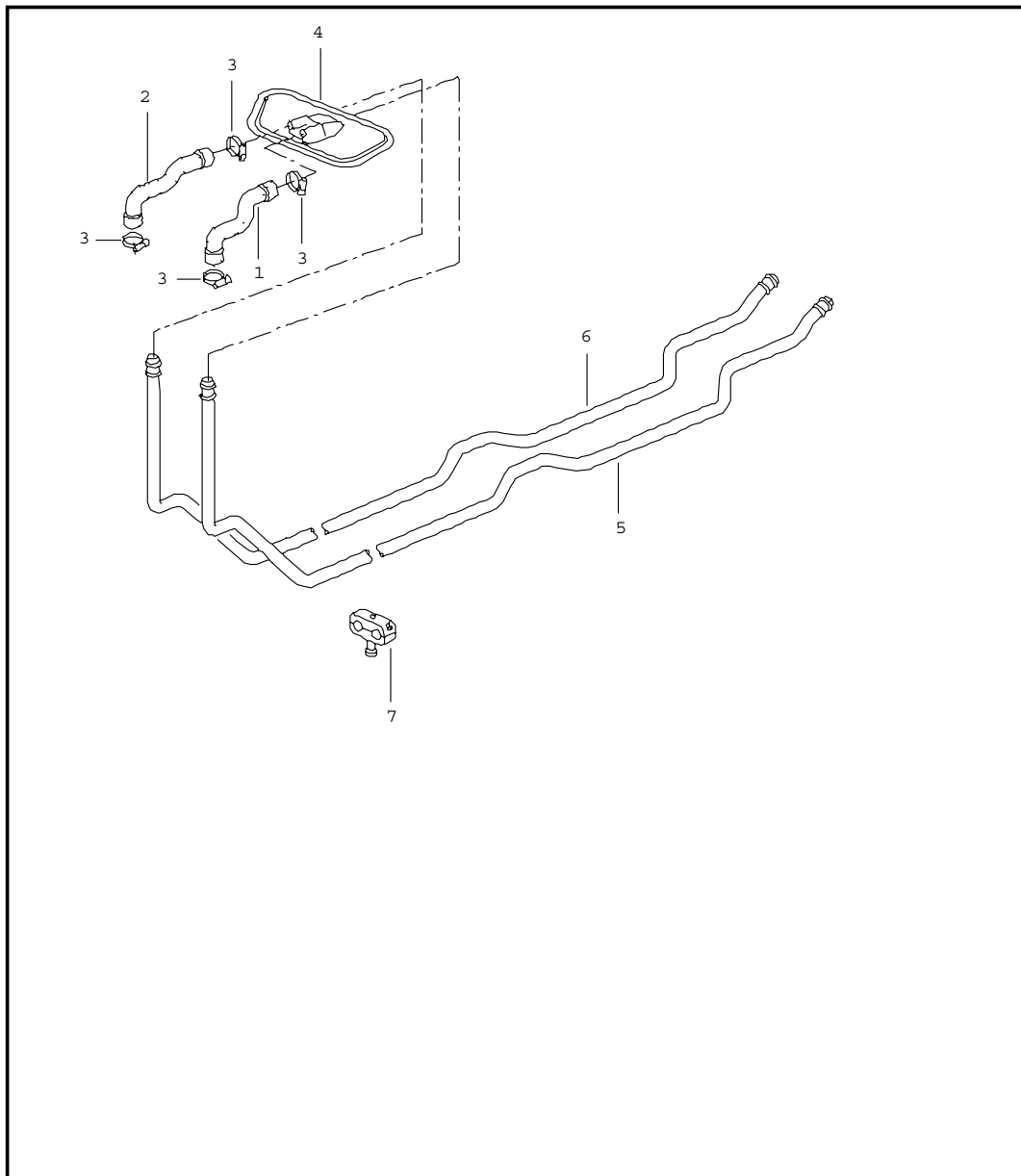
Pos	Part Number	Name	Remarks	Qty	Model
		seat belt rear			COUPE
1	997 803 035 03	seat belt		1	
	U01	silver			
	V02	speed yellow			
	N13	guards red			
	A23	black			
(1)	997 803 036 03	seat belt	/R	1	
	U01	silver			
	V02	speed yellow			
	N13	guards red			
	A23	black			
2	999 075 070 09	fastening screw		2	
3	999 075 057 09	fastening screw		2	
4	996 803 165 01	seat-belt buckle	/L	1	
(4)	996 803 166 01	seat-belt buckle	/R	1	
5	999 075 070 09	fastening screw		2	
6	811 857 845	cap		2	
7	999 924 064 02	spacer sleeve		2	
8	211 857 771	washer		2	
9	999 075 073 09	screw		2	
10	811 857 845	cap		2	I193
11	996 551 745 00	clamp	/L	2	
(11)	996 551 746 00	clamp	/R	2	
- - - E N D - - -					

Model	Year	MG	SG	Illustration	Restrictions	Update	13:39	17.11.2005	PORSCHE	PET	PORSCHE
997	06	8	12	812-06		194					



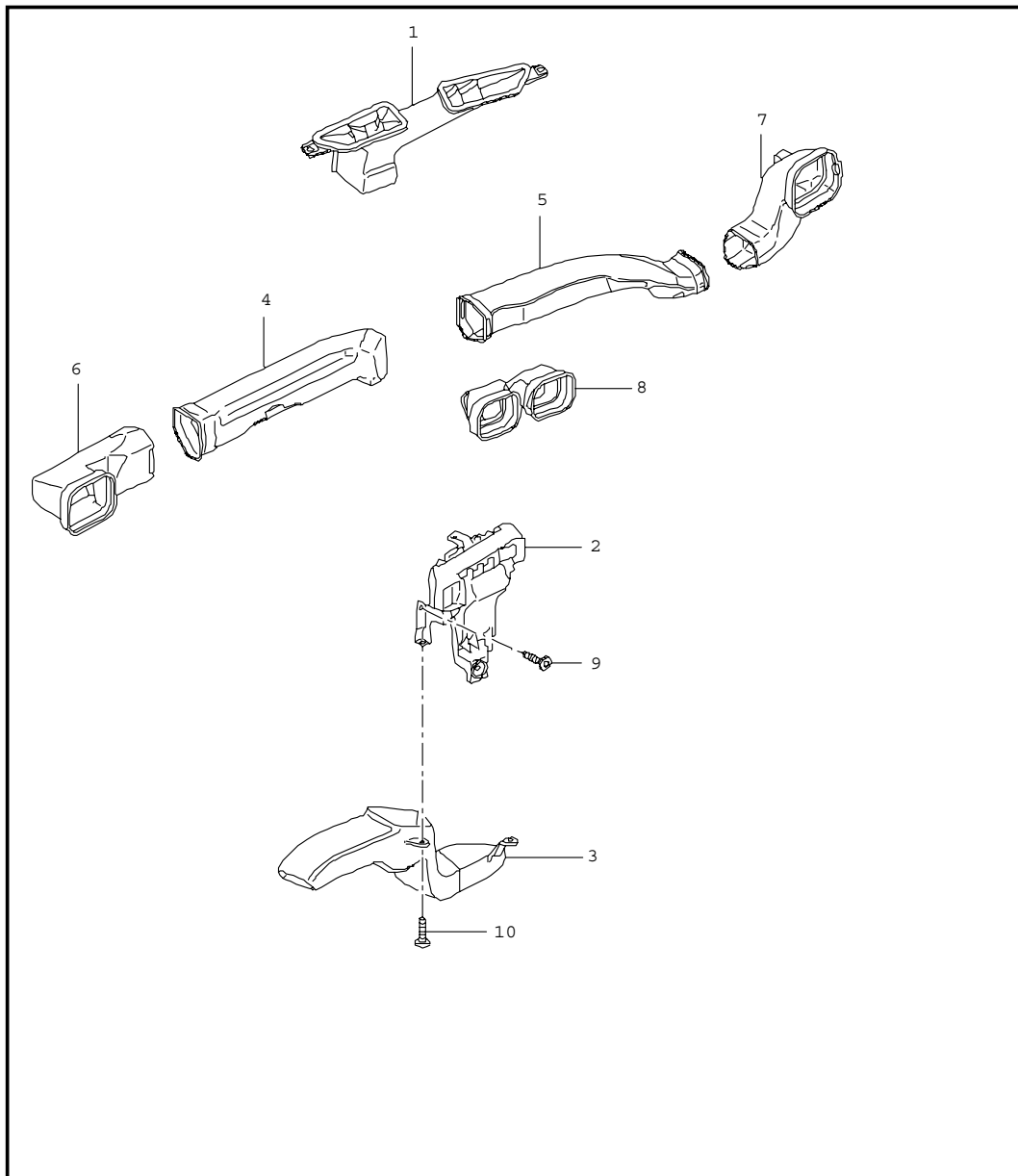
Pos	Part Number	Name	Remarks	Qty	Model
		seat belt rear			CABRIO
(1)	997 803 035 01	seat belt		1	
	V02	speed yellow			
	N13	guards red			
	U01	silver			
	A23	black			
(1)	997 803 036 01	seat belt		1	
	V02	speed yellow			
	N13	guards red			
	U01	silver			
	A23	black			
2	999 075 070 09	fastening screw		2	
3	999 075 057 09	fastening screw		2	
4	996 803 165 01	seat-belt buckle	/L	1	
(4)	996 803 166 01	seat-belt buckle	/R	1	
5	999 075 070 09	fastening screw		2	
6	811 857 845	cap		2	
7	999 924 064 02	spacer sleeve		2	
8	211 857 771	washer		2	
9	999 075 073 09	fastening screw		2	
10	811 857 845	cap		2	
	01C	black			
11	996 551 745 00	clamp		2	
		- - - E N D - - -			

Model	Year	MG	SG	Illustration	Restrictions	Update	13:39	17.11.2005	PORSCHE	PET	PORSCHE
997	06	8	13	813-00		194					



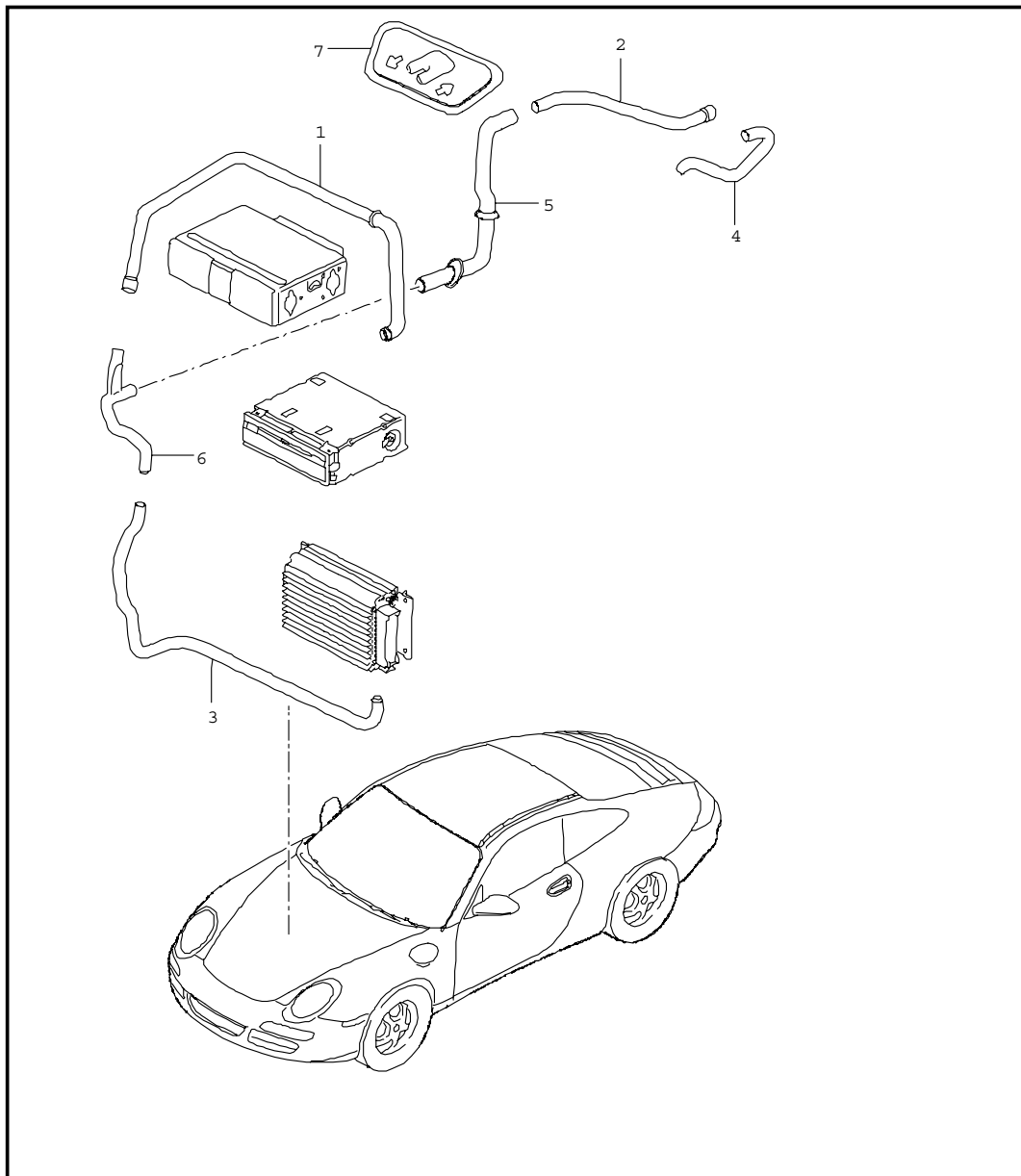
Pos	Part Number	Name	Remarks	Qty	Model
		heating system 1 feed line return line			
1	996 572 583 04	heater hose	/LL	1	
2	996 572 585 04	heater hose	/LL	1	
3	999 512 603 09	clip		4	
4	997 572 263 00	gasket	/LL	1	
5	997 572 681 00	hot air duct supply		1	
6	997 572 683 00	hot air duct return		1	
--	996 572 785 00	connection piece		X	
7	999 511 230 40	support		4	
--	999 511 232 41	rubber mounting 19/19		4	
- - - E N D - - -					

Model	Year	MG	SG	Illustration	Restrictions	Update	13:39	17.11.2005	PORSCHE	PET	PORSCHE
997	06	8	13	813-01		194					



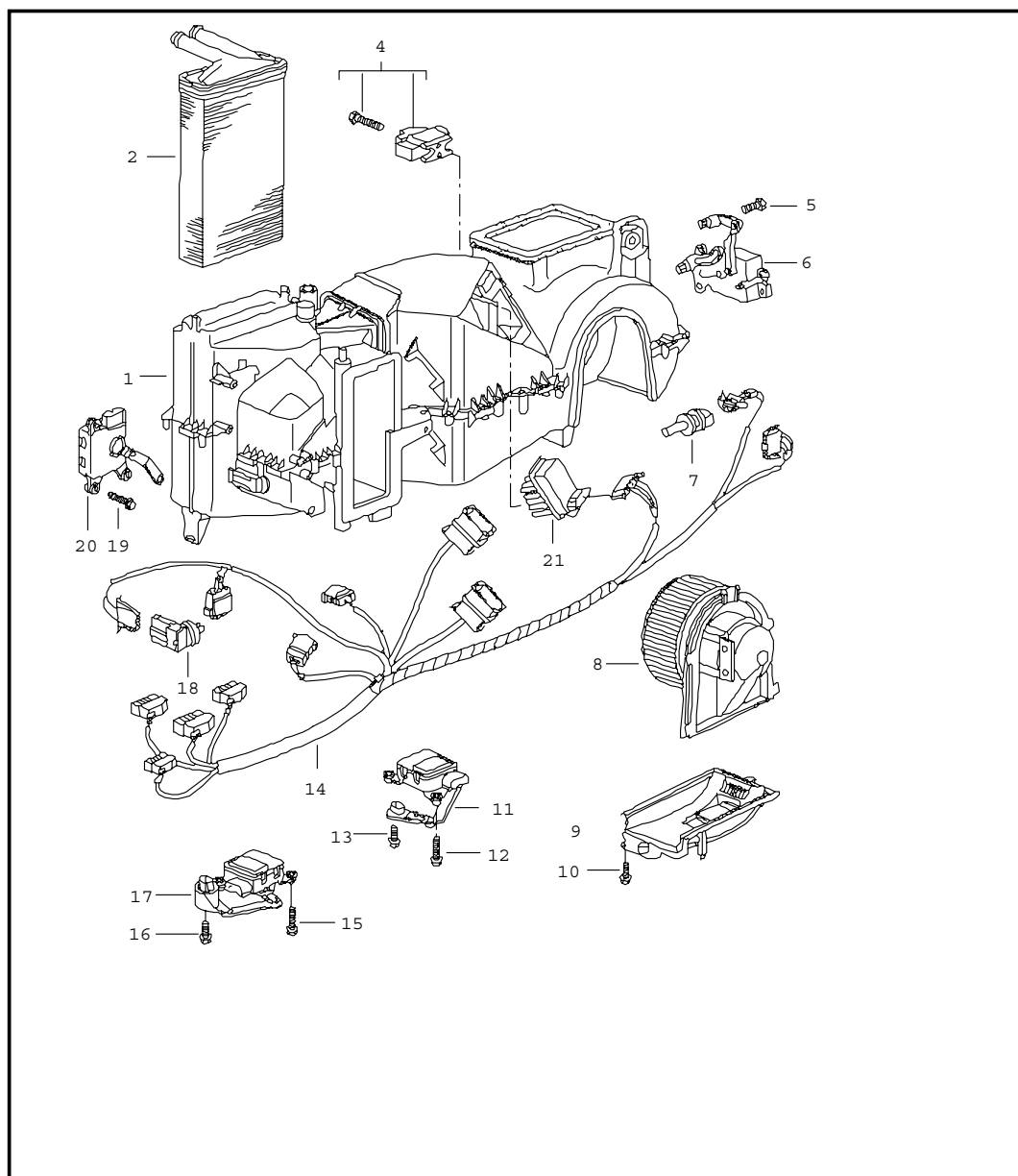
Pos	Part Number	Name	Remarks	Qty	Model
		air distributor passenger compartment			
1	997 572 631 00	defroster vent	/LL	1	
2	997 572 171 00	air distributor	/LL	1	
3	997 572 793 00	footwell outlet vent	/LL	1	I 098
(3)	997 572 793 02	footwell outlet vent	/LL	1	I 098/680
4	997 572 463 01	air duct	/LL /L	1	
5	997 572 464 00	air duct	/LL /R	1	
6	997 572 767 00	air duct	/LL /L	1	
7	997 572 768 00	air duct	/RL /R	1	
8	997 572 769 00	air duct		1	
9	999 919 118 09	oval-head screw		2	
10	999 073 339 09	tapping screw		2	
11	997 572 395 00	cover		1	I099/680
		01C	black		
11	997 572 395 01	cover		1	I099/680
		T13	brown		
		5V7	stone grey		
		5Y2	palmgreen		
		5Z1	sand beige		
		8P9	cocoa		
		8W7	sea blue		
		8X8	terracotta		
			- - - E N D - - -		

Model	Year	MG	SG	Illustration	Restrictions	Update	13:39	17.11.2005	PORSCHE	PET	PORSCHE
997	06	8	13	813-02		194					



Pos	Part Number	Name	Remarks	Qty	Model
		luggage compartment cooling			
1	997 572 588 00	air duct	2	1	I670/215/072
(1)	997 572 588 01	air duct		1	I664/670
2	997 572 582 00	air duct		1	I072/670/553 I215
3	997 572 590 00	air duct		1	I072/670/553 I215
4	997 572 580 00	air duct		1	I072/670/215 I553
5	997 572 584 03	air duct		1	I072/670/215 I553
6	997 572 586 06	air duct		1	I072/670/215 I553/
7	997 572 263 00	gasket		1	
- - - E N D - - -					

Model	Year	MG	SG	Illustration	Restrictions	Update	13:39	17.11.2005	PORSCHE	PET	PORSCHE
997	06	8	13	813-05		194					

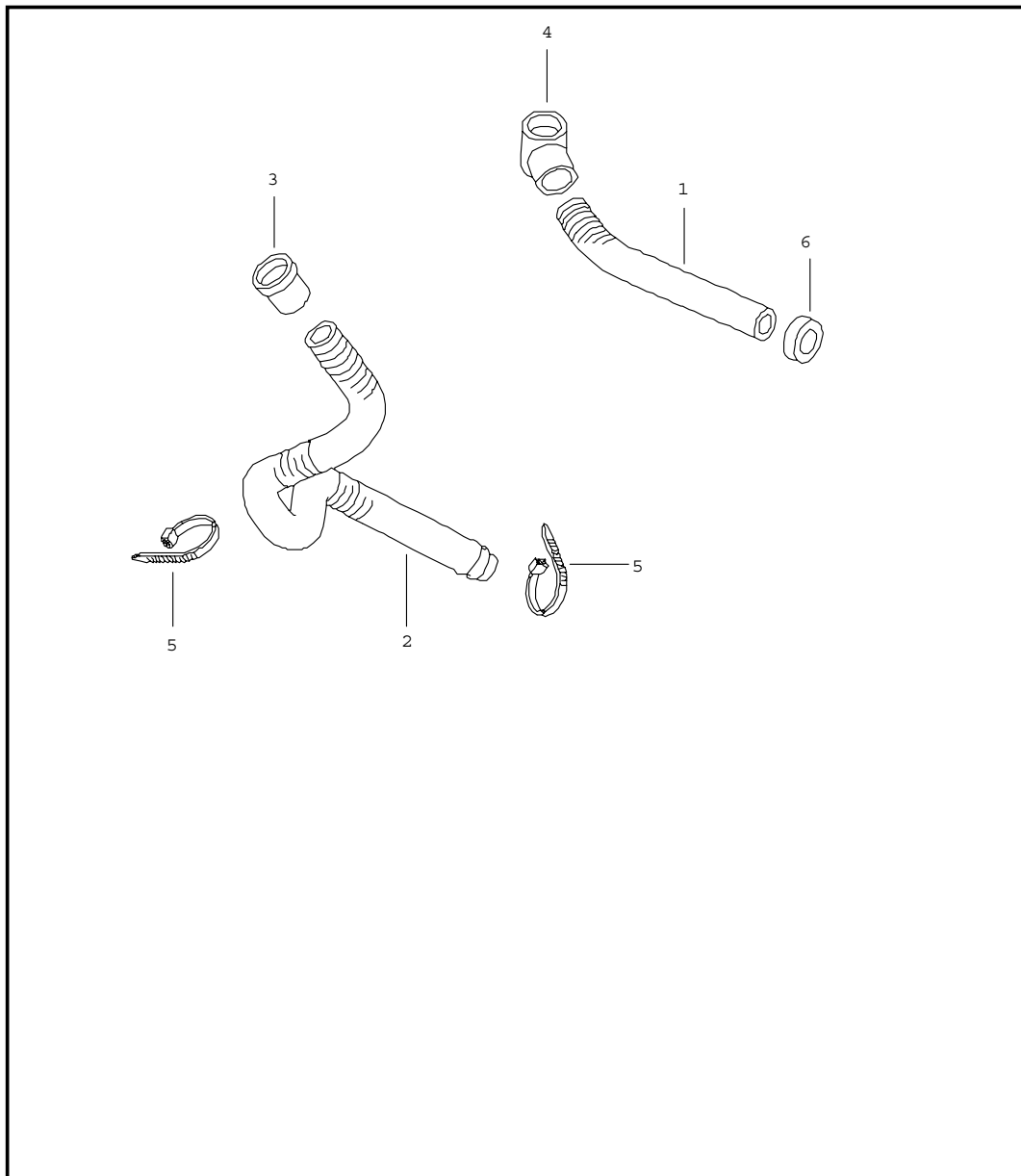


Pos	Part Number	Name	Remarks	Qty	Model
		air conditioner single parts			I 573
1	997 573 901 00	air conditioner	/LL	1	
2	996 572 129 00	heat exchanger		1	
3	996 572 913 00	gasket		1	
4	996 573 929 01	expansion valve		1	
5	900 143 102 02	tapping screw		2	
6	996 573 915 00	electric motor central valve	/LL	1	
7	4A0 820 539	temperature sensor		1	
7	1J0 907 543 B	temperature sensor		1	
8	996 624 107 01	blower	/LL	1	
9	996 573 905 00	cover		1	
10	900 143 102 02	hexagon-head bolt		1	
11	996 573 919 02	electric motor temperature valve marked red	/LL	1	
12	900 143 102 02	hexagon-head bolt		1	
13	900 143 102 02	hexagon-head bolt		1	
14	997 612 655 02	wiring harness		1	
15	900 143 102 02	hexagon-head bolt		1	
16	900 143 102 02	hexagon-head bolt		1	
17	996 573 917 02	electric motor defroster flap	/LL	1	
18	1H0 907 543 A	temperature sensor		1	
19	900 143 102 02	hexagon-head bolt		1	
20	996 573 921 02	electric motor air flow sensor plate	/LL	1	
21	996 573 923 00	resistor		1	
--	996 573 925 00	intake air temper. sensor		1	
--	996 573 927 00	blower outlet sensor		1	
--	996 572 511 06	sound absorber	/LL -	1	

Model	Year	MG	SG	Illustration	Restrictions	Update					
997	06	8	13	813-05		194	13:39	17.11.2005	PORSCHE	PET	PORSCHE

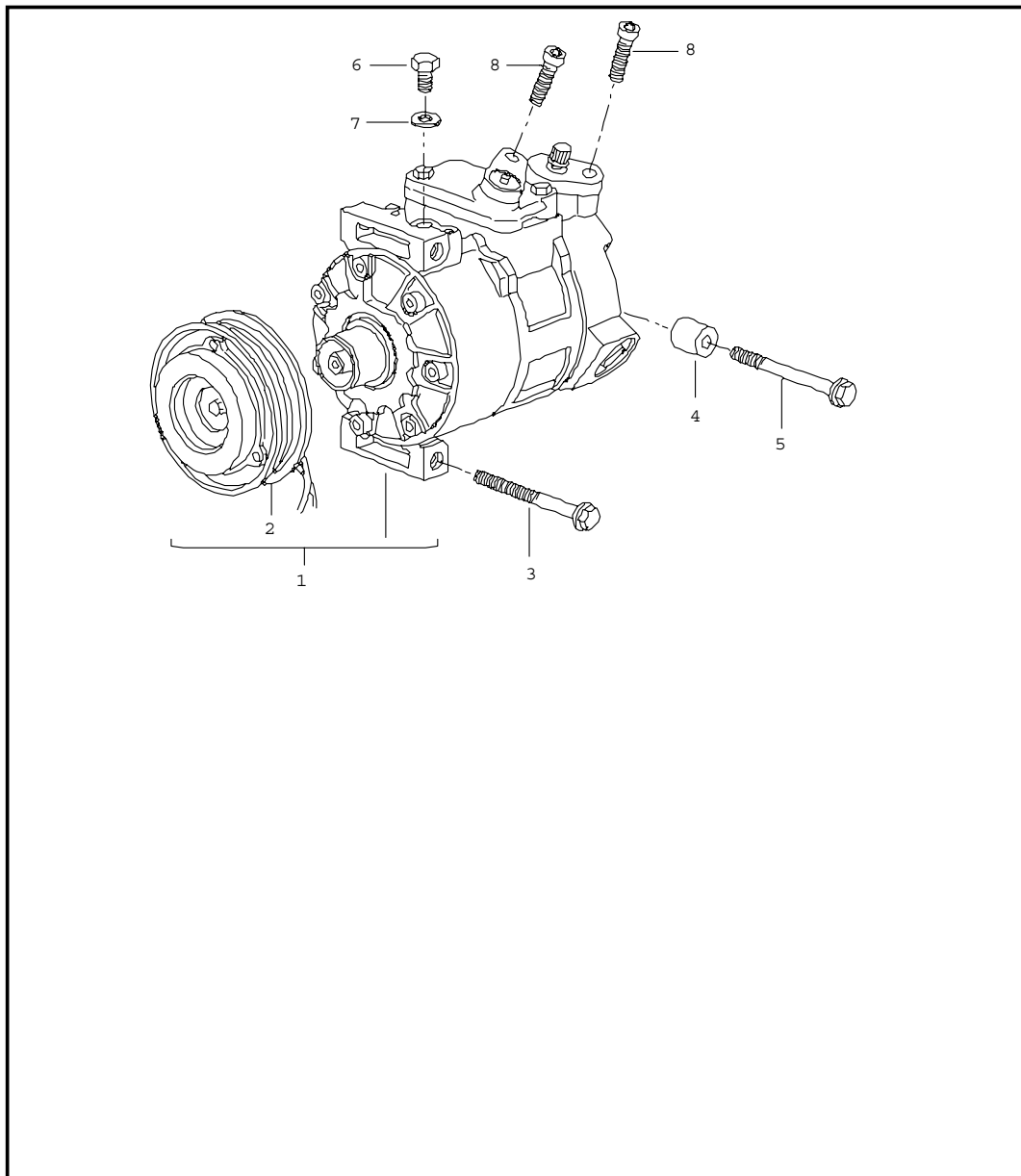
Pos	Part Number	Name	Remarks	Qty	Model	Pos	Part Number	Name	Remarks	Qty	Model
--	1H0 819 943	screw		2							
--	997 573 935 00	plug		1							
		- - - E N D - - -									

Model	Year	MG	SG	Illustration	Restrictions	Update	13:40	17.11.2005	PORSCHE	PET	PORSCHE
997	06	8	13	813-10		194					



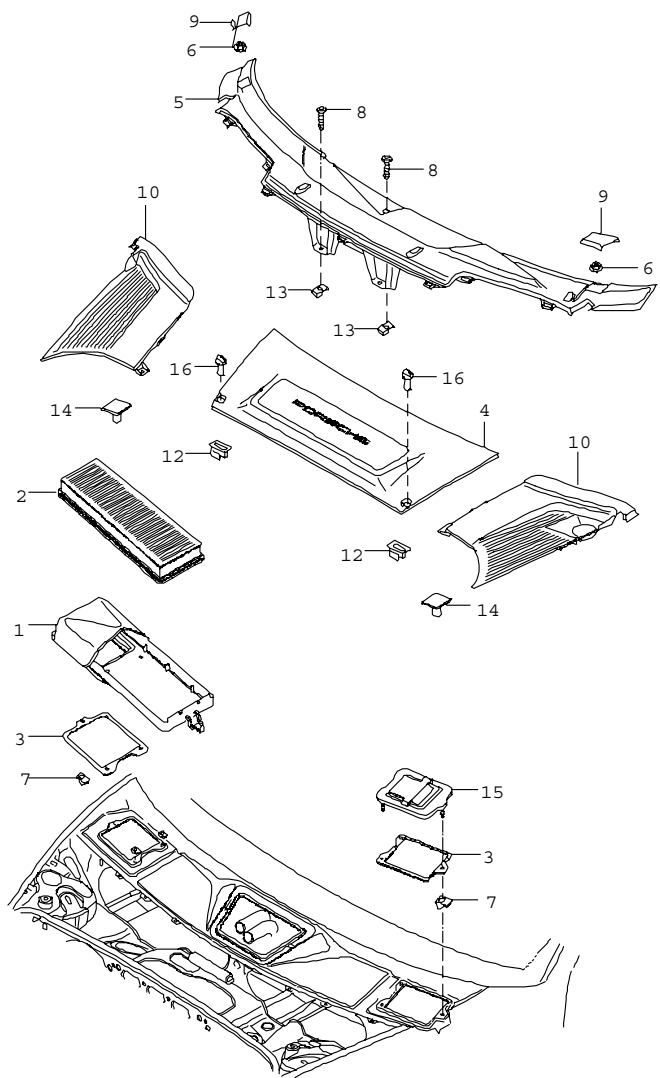
Pos	Part Number	Name	Remarks	Qty	Model
		water drain tube mount sound absorber heater air conditioner			
1	996 504 643 00	water drain tube		1	
2	996 504 644 00	water drain tube		1	
3	996 504 645 00	grommet		1	
4	996 504 646 00	grommet		1	
5	999 513 049 40	tie-wrap		1	
6	999 702 156 40	grommet		1	
--	996 573 797 02	connecting piece		1	
--	996 573 795 01	grommet		1	
--	996 573 793 01	water drain tube		1	
--	996 573 794 01	water drain tube		1	
--	996 504 649 00	grommet		2	
		- - - E N D - - -			

Model	Year	MG	SG	Illustration	Restrictions	Update	13:40	17.11.2005	PORSCHE	PET	PORSCHE
997	06	8	13	813-15		194					



Pos	Part Number	Name	Remarks	Qty	Model
		compressor			
1	996 126 011 52	compressor		1	
2	996 573 926 00	magnetic clutch		1	
3	900 378 075 09	hexagon-head bolt M 8X90		1	
4	996 126 102 53	spacer sleeve		1	
5	900 378 136 09	hexagon-head bolt M 8X120		1	
6	996 573 926 01	hexagon-head bolt		1	
7	996 573 926 02	sealing ring		1	
8	900 067 252 02	hexagon socket head bolt		2	
		- - - E N D - - -			

Model	Year	MG	SG	Illustration	Restrictions	Update	13:40	17.11.2005	PORSCHE	PET	PORSCHE
997	06	8	13	813-20		194					

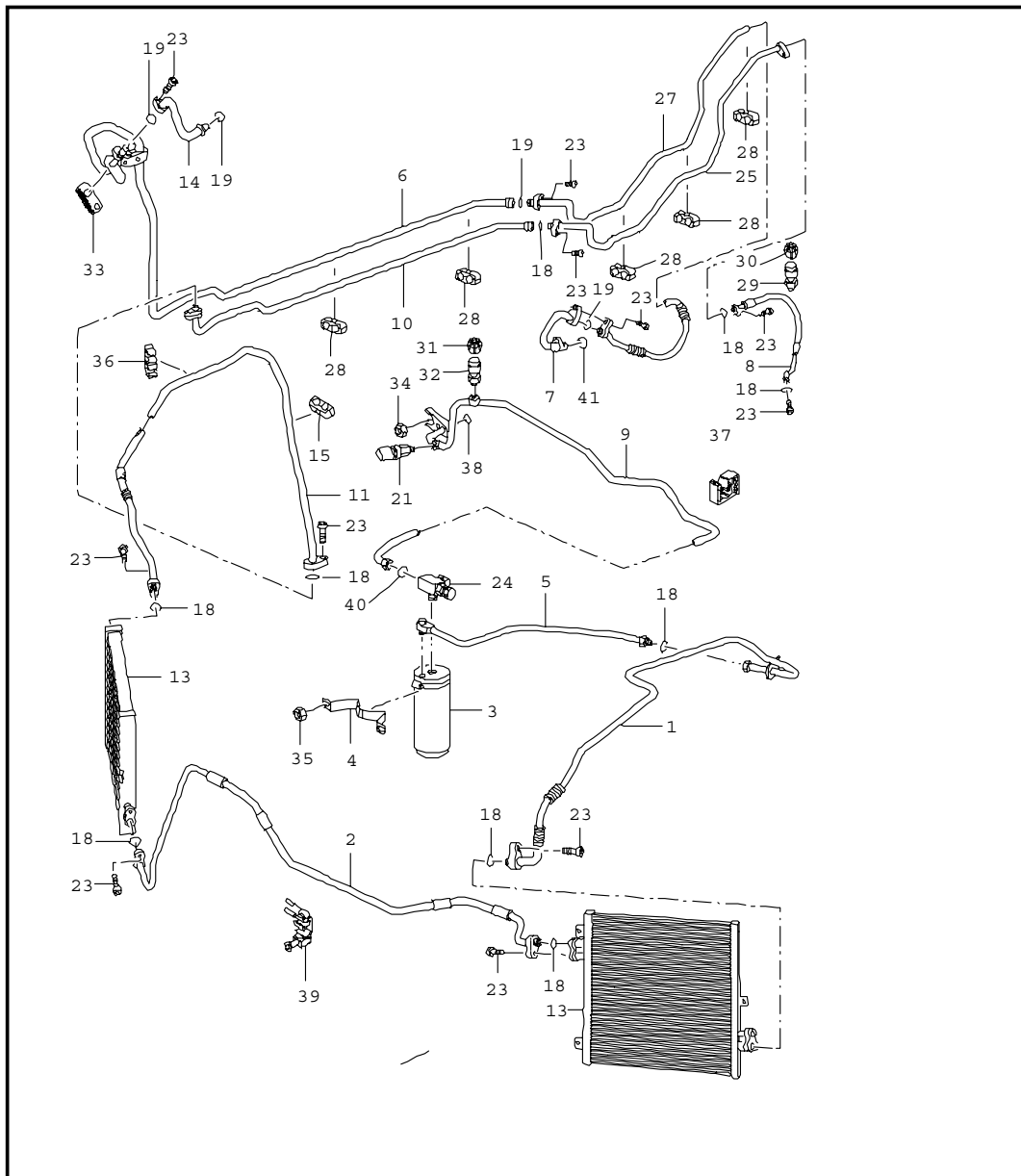


Pos	Part Number	Name	Remarks	Qty	Model
		particle filter cowl panel covering			
1	997 572 019 02	housing	/LL	1	
2	997 571 219 00	particle filter		1	
3	997 572 121 00	gasket		1	
4	997 572 567 03	cover		1	
	FMT	black battery			
(4)	997 572 729 02	cover particle filter	/LL	1	
5	997 572 563 06	cowl panel covering	/LL	1	
	FMT	black			
6	999 049 008 40	plastic nut		2	
7	999 591 722 02	speed nut		3	
8	999 073 142 09	combination tapping screw		3	
9	997 572 569 04	cap	/L	2	I098
	FMT	black			
(9)	997 572 570 04	cap	/R	1	I098
	FMT	black			
10	A 997 572 361 03	cover	/L	1	
	02A	black			
10	997 572 361 04	cover	/L	1	
	02A	black			
(10)	997 572 362 03	cover	/R	1	
	02A	black			
11	999 590 045 40	screw plug		X	
12	999 590 046 40	lock piece		2	
13	999 500 092 00	nut		2	
14	999 902 046 40	catch		1	
15	996 572 719 01	cover		2	
16	997 572 867 00	locking bolt		2	

Model	Year	MG	SG	Illustration	Restrictions	Update					
997	06	8	13	813-20		194	13:40	17.11.2005	PORSCHE	PET	PORSCHE

Pos	Part Number	Name	Remarks	Qty	Model	Pos	Part Number	Name	Remarks	Qty	Model
--	02A	black									
--	997 572 763 00	cover		1							
		- - - E N D - - -									

Model	Year	MG	SG	Illustration	Restrictions	Update	13:41	17.11.2005	PORSCHE	PET	PORSCHE
997	06	8	13	813-25		194					

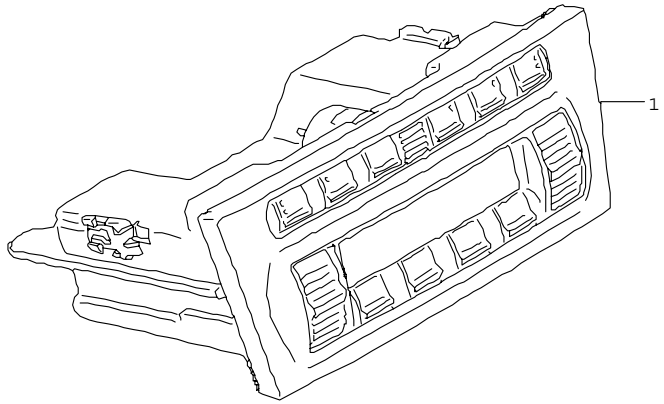


Pos	Part Number	Name	Remarks	Qty	Model
		refrigerant circuit			
1	997 573 105 00	refrigerant line		1	
2	997 573 103 00	refrigerant line		1	
3	944 573 143 01	desiccator		1	
4	996 573 451 00	support		1	
5	996 573 106 00	refrigerant line		1	
6	996 573 091 01	refrigerant line		1	
--	996 573 769 01	grommet		1	
7	997 573 099 01	refrigerant line		1	
8	997 573 096 00	pressure line		1	
8	997 573 097 00	pressure line		1	
9	997 573 108 02	pressure line	/LL	1	
10	996 573 092 02	pressure line		1	
11	997 573 094 00	refrigerant line		1	
12	996 347 543 00	cable holder		2	
13	996 573 111 03	condenser		2	
14	996 573 093 06	intake pipe	/LL	1	
14	996 573 093 07	intake pipe	/RL	1	
15	999 511 230 40	cable holder		2	
--	999 511 231 41	rubber mounting		2	
16	999 707 247 40	o-ring 7,5X2		2	
17	999 707 439 41	o-ring 23,8X2,4		8	
18	999 707 434 41	o-ring 10,6X2		8	
19	999 707 534 41	o-ring 17X2		3	
20	999 707 262 40	o-ring 6,7X1,8		X	
21	955 613 137 00	pressure sensor		1	
22	996 573 711 00	cover strip		2	

Model	Year	MG	SG	Illustration	Restrictions	Update	13:41	17.11.2005	PORSCHE	PET	PORSCHE
997	06	8	13	813-25		194					

Pos	Part Number	Name	Remarks	Qty	Model	Pos	Part Number	Name	Remarks	Qty	Model
23	900 067 019 03	pan-head screw		X							
24	993 573 243 00	distributing piece		1							
25	997 573 096 01	pressure line		1							
27	997 573 095 02	intake pipe		1							
28	999 511 230 40	cable holder use also:		X							
--	999 511 231 41	rubber mounting		X							
29	996 573 465 00	valve		1							
30	944 573 663 01	valve cap		1							
31	944 573 663 02	valve cap		1							
32	996 573 465 00	valve		1							
34	900 377 010 09	hexagon nut M 6		1							
35	900 380 015 09	hexagon nut M6		2							
36	996 355 547 01	holder		1							
37	999 591 922 40	cable holder		1							
38	999 707 531 41	o-ring 7,5X2		2							
39	--- --- --- --	cable holder		1							
40	999 707 434 41	o-ring		X							
41	999 707 439 41	o-ring		X							
		- - - E N D - - -									

Model	Year	MG	SG	Illustration	Restrictions	Update	13:41	17.11.2005	PORSCHE	PET	PORSCHE
997	06	8	13	813-45		194					



Pos	Part Number	Name	Remarks	Qty	Model
		control switch			
1	997 653 101 09	control part		1	I573
	FMH	volcano grey/black mat			
1	997 653 111 09	control part		1	I573/342
	FMH	volcano grey/black mat			
		- - - E N D - - -			

PORSCHE

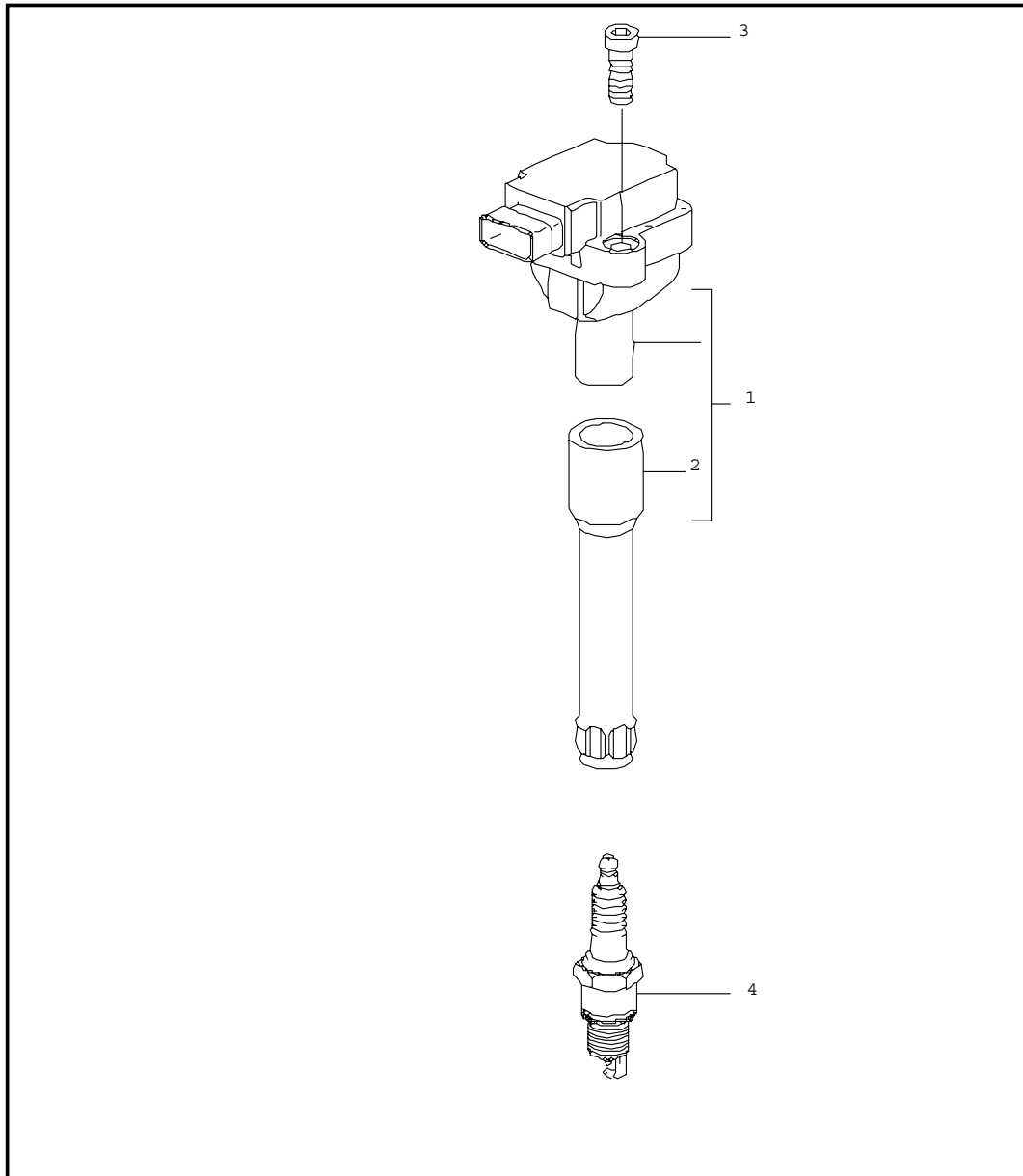
# PET

PORSCHE

Model	Year	MG	SG	Illustration	Restrictions	Update		
997	06	8	98	REP		194	15:25	18.11.2005

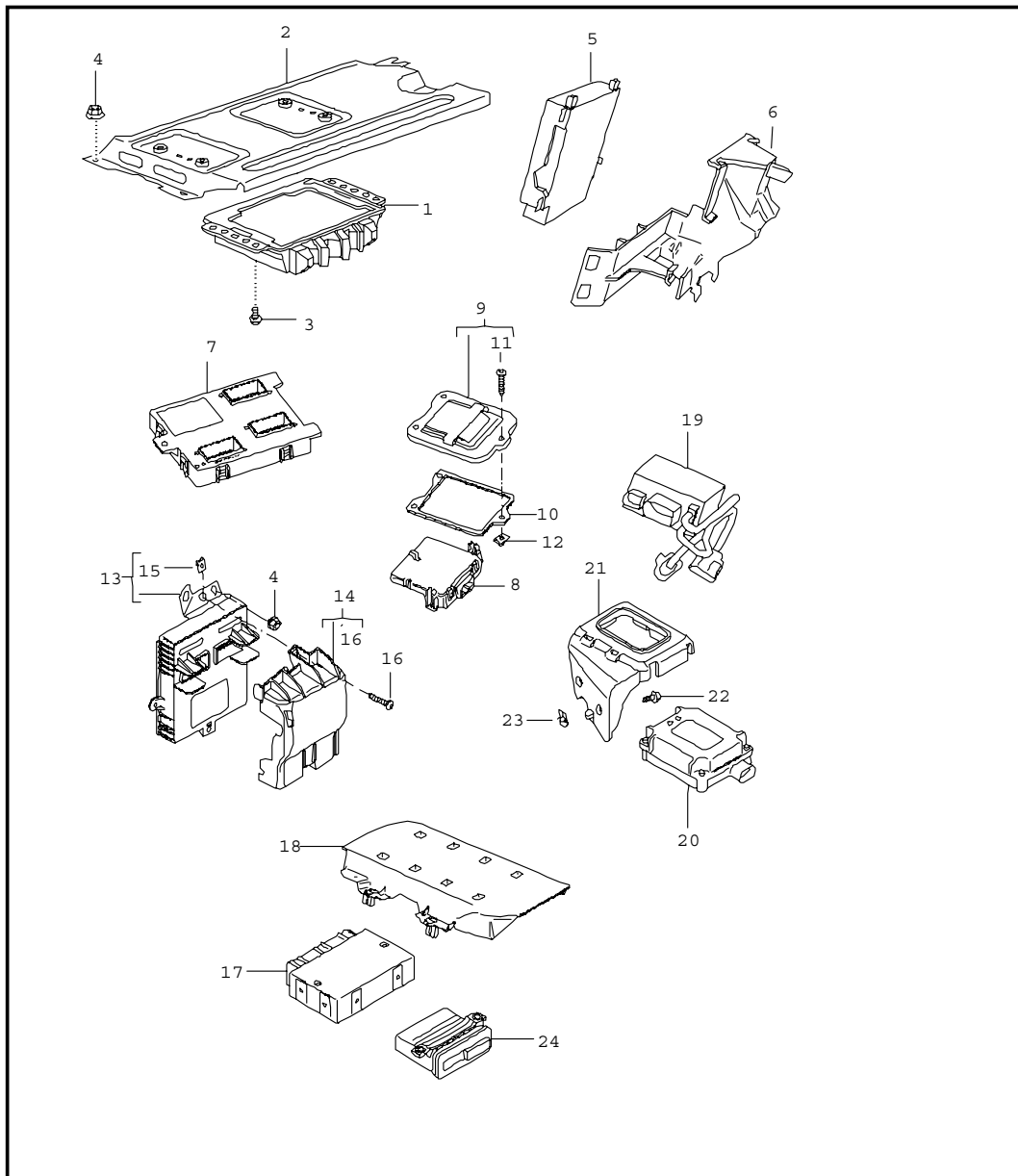
Pos	Part Number	Name	Remarks	Qty	Model
		repair kits			
		set of locks			
>>	> 997 538 011 00	set of locks		1	I 098
>>	> 997 538 011 01	set of locks		1	I 099
		- - - E N D - - -			

Model	Year	MG	SG	Illustration	Restrictions	Update	13:41	17.11.2005	PORSCHE	PET	PORSCHE
997	06	9	01	901-00		194					



Pos	Part Number	Name	Remarks	Qty	Model
		ignition system			
1	996 602 104 00	ignition coil		6	
2	996 602 105 00	spark plug socket		6	
3	900 387 008 09	torx screw M 6 X 25		12	
4	999 170 223 90	spark plug FGR 5KQE0		6	M 96.05/ M 97.01
		- - - E N D - - -			

Model	Year	MG	SG	Illustration	Restrictions	Update	13:41	17.11.2005	PORSCHE	PET	PORSCHE
997	06	9	01	901-03		194					

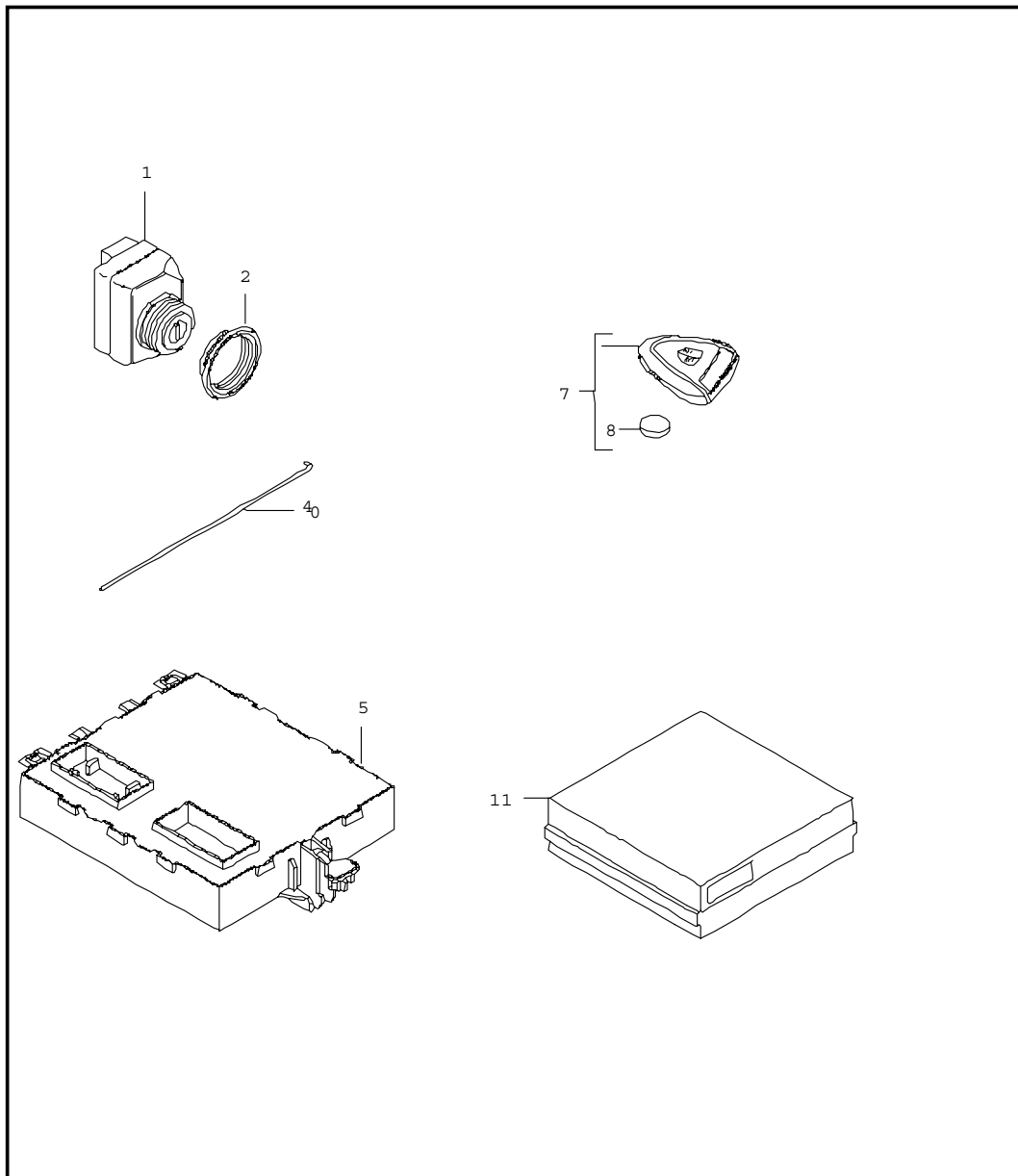


Pos	Part Number	Name	Remarks	Qty	Model
		control units			
1	997 618 601 01	control unit - dme -	05	1	
1	997 618 601 02	control unit - dme -	06	1	
1	997 618 603 02	control unit - dme -	06	1	I660
(1) N	996 618 150 01	control unit fuel pump		1	CARRERA 4/4S I664
- P	999 919 125 09	hexagon-head bolt 6,0 X 16,0 for control unit fuel pump		2	CARRERA 4/4S I664
2	996 618 129 01	support control unit - dme -		1	COUPE
(2)	996 618 131 00	support control unit - dme -		2	CABRIO
3	900 378 036 09	hexagon-head bolt M 6 X 12		4	COUPE
(3)	999 073 060 02	tapping screw 4,8 X 13		X	CABRIO
4	999 084 629 09	hexagon nut M 6		3	COUPE
5	997 618 180 03	control unit tiptronic F >>995S7 61313		1	CARRERA/S I249
5	997 618 180 07	control unit tiptronic F 995S7 61314>>		1	CARRERA/S I249
5 N	997 618 180 08	control unit tiptronic		1	CARRERA 4/4S I249
6	996 618 257 01	support control unit tiptronic		1	I249
-	-	control unit folding top control see group 8/11/15		1	CABRIO

Model	Year	MG	SG	Illustration	Restrictions	Update	13:41	17.11.2005	PORSCHE	PET	PORSCHE
997	06	9	01	901-03		194					

Pos	Part Number	Name	Remarks	Qty	Model	Pos	Part Number	Name	Remarks	Qty	Model
7	A 997 610 102 03	control unit vehicle electrical system		1		19	997 618 436 00	control unit cooling air control	05	1	
7	997 610 102 04	control unit vehicle electrical system	05	1		19	N 997 618 436 01	control unit cooling air control	06	1	
7	997 610 102 05	control unit vehicle electrical system	06	1		20	997 618 227 00	control unit garage door opener	05	1	I607
8	A 997 610 107 02	control unit gateway	05	1		20	997 618 227 01	control unit garage door opener	06	1	I607
8	997 610 108 01	control unit gateway	05	1		21	997 618 257 00	support control unit garage door opener		1	
8	997 610 107 03	control unit gateway	06	1		22	900 075 466 09	hexagon-head bolt M 6 X 16		2	
9	997 572 419 01	cover		1		23	999 591 882 02	speed nut M 6		2	
10	996 572 221 02	gasket		1		24	996 618 171 03	control unit park distance control		1	I635
11	900 143 094 09	tapping screw ST 4,8 X 19		3				sensor see group 8/02/05			I635
12	999 591 855 02	speed nut ST 4,8		3				- - - E N D - - -			
13	997 610 906 00	control unit front trunk	05	1							
13	997 610 906 01	control unit front trunk	06	1							
(13)	997 610 905 00	control unit front trunk	05	1	I601						
(13)	997 610 905 01	control unit front trunk	06	1	I601						
14	997 551 536 00	cover		1	CARRERA/S						
(14)	N 997 551 736 01	cover		1	CARRERA 4/4S						
15	999 507 462 02	speed nut 4,8		1							
16	999 073 061 02	tapping screw 4,8 X 16		1							
17	A 997 618 260 03	control unit rear end F >>995S7 00768		1							
17	997 618 260 04	control unit rear end		1							
18	997 618 371 01	support		1							

Model	Year	MG	SG	Illustration	Restrictions	Update	13:41	17.11.2005	PORSCHE	PET	PORSCHE
997	06	9	01	901-04		194					

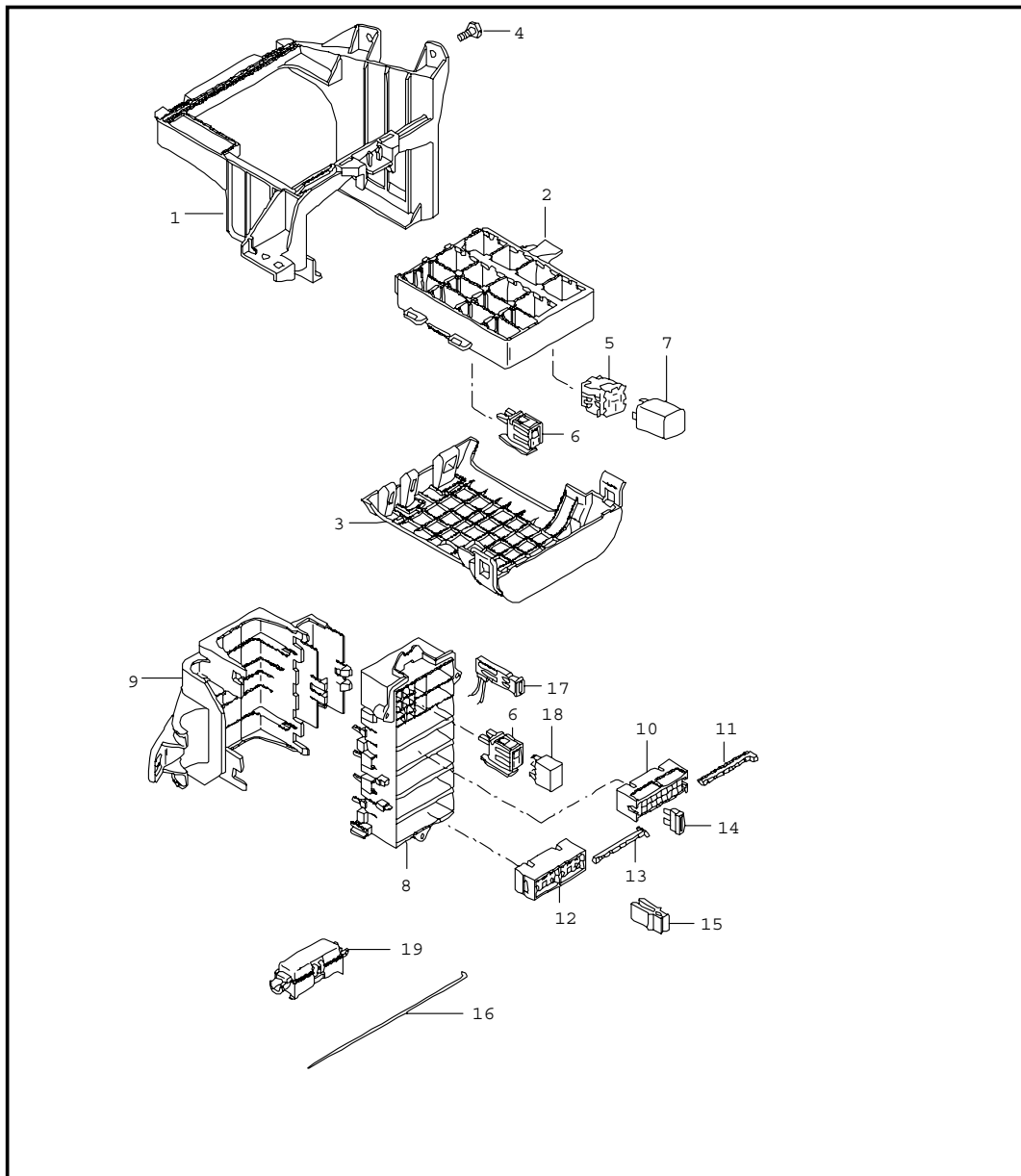


Pos	Part Number	Name	Remarks	Qty	Model
		control units ignition starter switch PORSCHE ACCES SYSTEM			
1 A	997 618 161 00	control unit ignition starter switch		1	
1	997 618 161 01	control unit ignition starter switch		1	
2	997 618 759 00	nut		1	
-	997 618 361 00	cover release remote control		1	
4	997 618 761 00	emergency operation release ignition starter switch		1	
5 A	997 618 172 04	control unit PORSCHE ACCESS SYSTEM F >>995S7 36876 F >>995S7 55488 see technical information GR. 9 , NR. 8/05		1	I535
5	997 618 172 06	control unit PORSCHE ACCESS SYSTEM F >>995S7 36876 F >>995S7 55488 see technical information GR. 9 , NR. 8/05		1	I535
5	997 618 172 12	control unit PORSCHE ACCESS SYSTEM F 995S7 36877>> F 995S7 55489>>		1	I535
-	997 612 053 00	connecting line antenna booster control unit POS. 5 F >>995S7 36876 F >>995S7 55488	/LL	1	I098
-	997 612 053 01	connecting line antenna booster control unit POS. 5 F 995S7 36877>> F 995S7 55489>>	/LL	1	I098/535
7	997 637 244 24	remote control	05 05	1	COUPE I535 CABRIO I533/ I535

Model	Year	MG	SG	Illustration	Restrictions	Update					
997	06	9	01	901-04		194	13:41	17.11.2005	PORSCHE	PET	PORSCHE

Pos	Part Number	Name	Remarks	Qty	Model	Pos	Part Number	Name	Remarks	Qty	Model
7	997 637 244 44	remote control	06 06	1	COUPE I535 CABRIO I533/ I535						
(7)	997 637 244 14	remote control	05	1	CABRIO I535						
(7)	997 637 244 34	remote control	06	1	CABRIO I535						
8	999 611 108 00	battery		1							
11	997 618 210 00	sensor interior monitoring	05	1							
11	997 618 210 01	sensor interior monitoring	06	1							
		- - - E N D - - -									

Model	Year	MG	SG	Illustration	Restrictions	Update	13:42	17.11.2005	PORSCHE	PET	PORSCHE
997	06	9	02	902-00		194					

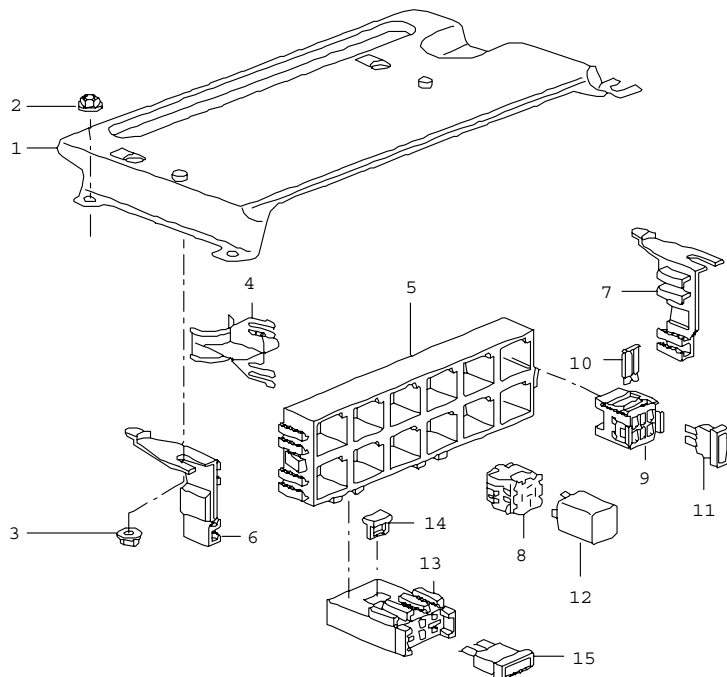


Pos	Part Number	Name	Remarks	Qty	Model
		central electrical system dashboard			
1	997 610 117 01	support	/LL	1	I098
2	997 610 110 00	relay carrier support frame		1	
3	997 610 112 00	cover support frame		1	
4	900 378 155 09	hexagon-head bolt M 6 X 16 ASP		2	
(4)	900 377 010 09	hexagon nut M 6		1	
5	928 610 511 00	relay carrier		X	
6	999 650 538 40	relay carrier		X	
7	-	relay			
S 4	999 657 010 90	relay KL. X		1	
S 6	999 657 007 90	relay KL. 86S		1	
S 8	999 657 007 90	relay fuel pump		1	
S 11	999 657 009 90	relay - dme -		1	
S 12	999 657 009 90	relay heating		1	
S 14	999 657 009 90	relay headlight washer system		1	I288
S 15	999 657 009 90	relay starter		1	
S 16	999 657 009 90	relay KL. 15		1	
8	997 610 340 00	bracket		1	
9	997 610 341 00	cover		1	
10	999 650 209 40	fuse holder		4	
11	999 650 210 40	slide		4	
12	999 650 750 40	fuse holder		1	
13	999 650 749 40	slide		1	

Model	Year	MG	SG	Illustration	Restrictions	Update	13:42	17.11.2005	PORSCHE	PET	PORSCHE
997	06	9	02	902-00		194					

Pos	Part Number	Name	Remarks	Qty	Model	Pos	Part Number	Name	Remarks	Qty	Model
14	999 607 082 00	fuse 5 A		X		-	-	cover for housing fuse see group 8 / 07 / 02		X	
(14)	999 607 083 00	fuse 7 , 5 A		X							
(14)	999 607 084 00	fuse 10 A		X							
(14)	999 607 085 00	fuse 15 A		X				- - - E N D - - -			
(14)	999 607 087 00	fuse 25 A		X							
(14)	999 607 088 00	fuse 30 A		X							
(14)	999 607 072 00	fuse 30 A large		X							
(14)	999 607 073 00	fuse 40 A large		X							
15	999 107 300 40	tool		X							
- U	997 610 195 02	indication sticker fuse		X							
- N	997 610 195 05	indication sticker fuse		X							
16	997 618 761 00	emergency operation release ignition starter switch  emergency operation cover		1							
17	996 610 240 00	terminal clamp		1							
18	999 657 010 90	relay		1							
19 U	999 650 026 99	fuse holder		1							
19 N	997 610 915 00	fuse holder with fuse 80 A for cooling air control		1							

Model	Year	MG	SG	Illustration	Restrictions	Update	13:42	17.11.2005	PORSCHE	PET	PORSCHE
997	06	9	02	902-01		194					

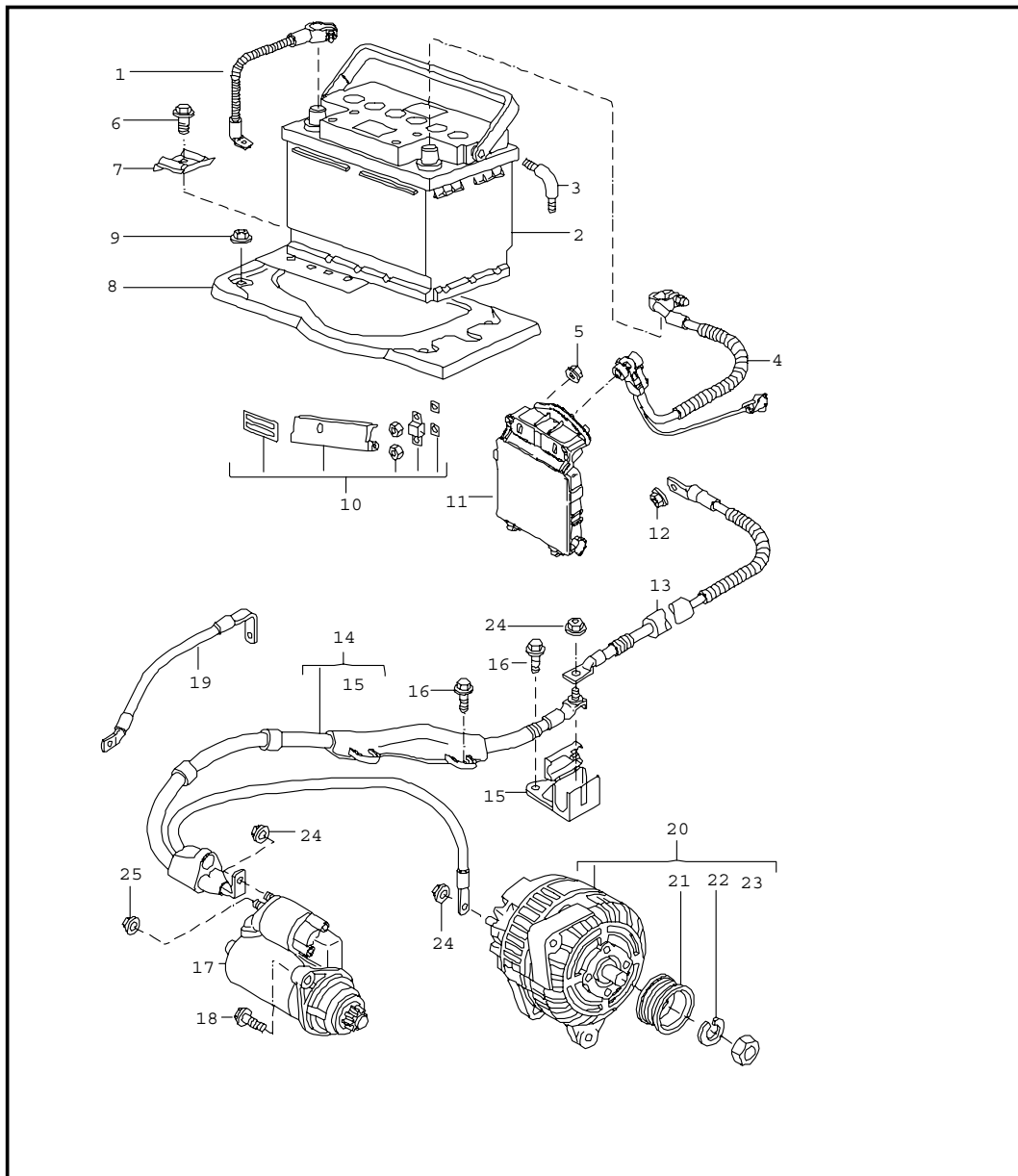


Pos	Part Number	Name	Remarks	Qty	Model
		central electrical system rear end			
1	996 610 129 02	plate F >>995S7 17417 F >>995S7 42008		1	COUPE CARRERA CARRERA S
(1)	996 610 229 03	plate F 995S7 17418>> F 995S7 42009>>		1	COUPE CARRERA CARRERA S
2	999 084 629 09	hexagon nut M 6		2	COUPE
3	900 380 015 09	hexagon nut M 6 F >>995S7 17417 F >>995S7 42008		2	COUPE CARRERA CARRERA S
4	996 610 112 00	cable holder		1	COUPE
(4)	996 610 115 00	cable holder		1	CABRIO
5	996 610 111 00	relay carrier support frame		X	
6	996 610 126 00	support F >>995S7 17417 F >>995S7 42008	/R	1	CARRERA CARRERA S
(6)	987 610 118 00	support F 995S7 17418>> F 995S7 42009>>	/R	1	CARRERA CARRERA S
7	996 610 127 00	support F >>995S7 17417 F >>995S7 42008	/L	1	CARRERA CARRERA S
(7)	987 610 117 00	support F 995S7 17418>> F 995S7 42009>>	/L	1	CARRERA CARRERA S
-	996 610 128 00	fixing clip		2	CABRIO
-	999 074 059 02	round head screw M 5		2	CABRIO
8	928 610 511 00	relay carrier		X	
9	999 650 747 40	fuse holder		1	
10	999 650 748 40	locking device		1	
11	999 607 083 00	fuse 7,5 A		X	
11	999 607 085 00	fuse 15 A		X	

Model	Year	MG	SG	Illustration	Restrictions	Update					
997	06	9	02	902-01		194	13:42	17.11.2005	PORSCHE	PET	PORSCHE

Pos	Part Number	Name	Remarks	Qty	Model	Pos	Part Number	Name	Remarks	Qty	Model
12	-	relay									
S 1	999 657 009 90	relay rear window heating		1	COUPE						
S 2	996 615 112 00	relay rear window heating		1	CABRIO						
S 3	964 615 215 00	relay air conditioner		1	I573						
S 8	999 657 011 90	relay blower engine compartment		1							
S 9	999 657 008 90	relay secondary pump		1	I661						
13	999 650 193 40	fuse holder		3							
14	999 650 371 40	locking device		3							
15	999 607 073 00	fuse 40 A large		3							
		- - - E N D - - -									

Model	Year	MG	SG	Illustration	Restrictions	Update	13:42	17.11.2005	PORSCHE	PET	PORSCHE
997	06	9	02	902-05		194					



Pos	Part Number	Name	Remarks	Qty	Model
		battery power distributor starter generator			
1	996 611 090 08	ground strap	/LL 05	1	I098
1	997 611 090 00	ground strap	/LL 06	1	I098
-	900 377 010 09	hexagon nut M 6		1	
(2)	999 611 070 20	battery 70 AH		1	
2	999 611 080 20	battery 80 AH		1	
3	893 915 507	angled pipe		1	
4	997 612 993 00	repair kit wiring harness battery power distributor	/LL	1	I098
5	900 380 005 09	hexagon nut VM 8		2	
6	900 378 017 09	hexagon-head bolt M 8 X 20		1	
7	996 611 209 00	rail		1	
8	996 504 151 00	carrier plate for battery		1	CARRERA/S
(8) P	996 504 151 02	carrier plate for battery		1	CARRERA 4/4S
-	996 504 622 00	gasket		1	CARRERA/S
- P	996 504 622 01	gasket carrier plate for battery		1	CARRERA 4/4S
9	999 084 630 09	hexagon nut VM 8 SB		4	
10	997 610 912 00	repair kit replacement fuse element comprising:		1	
-	-	fuse element 50 AMPERE		1	
-	-	fuse element 80 AMPERE		1	
-	-	hexagon nut M 5		4	

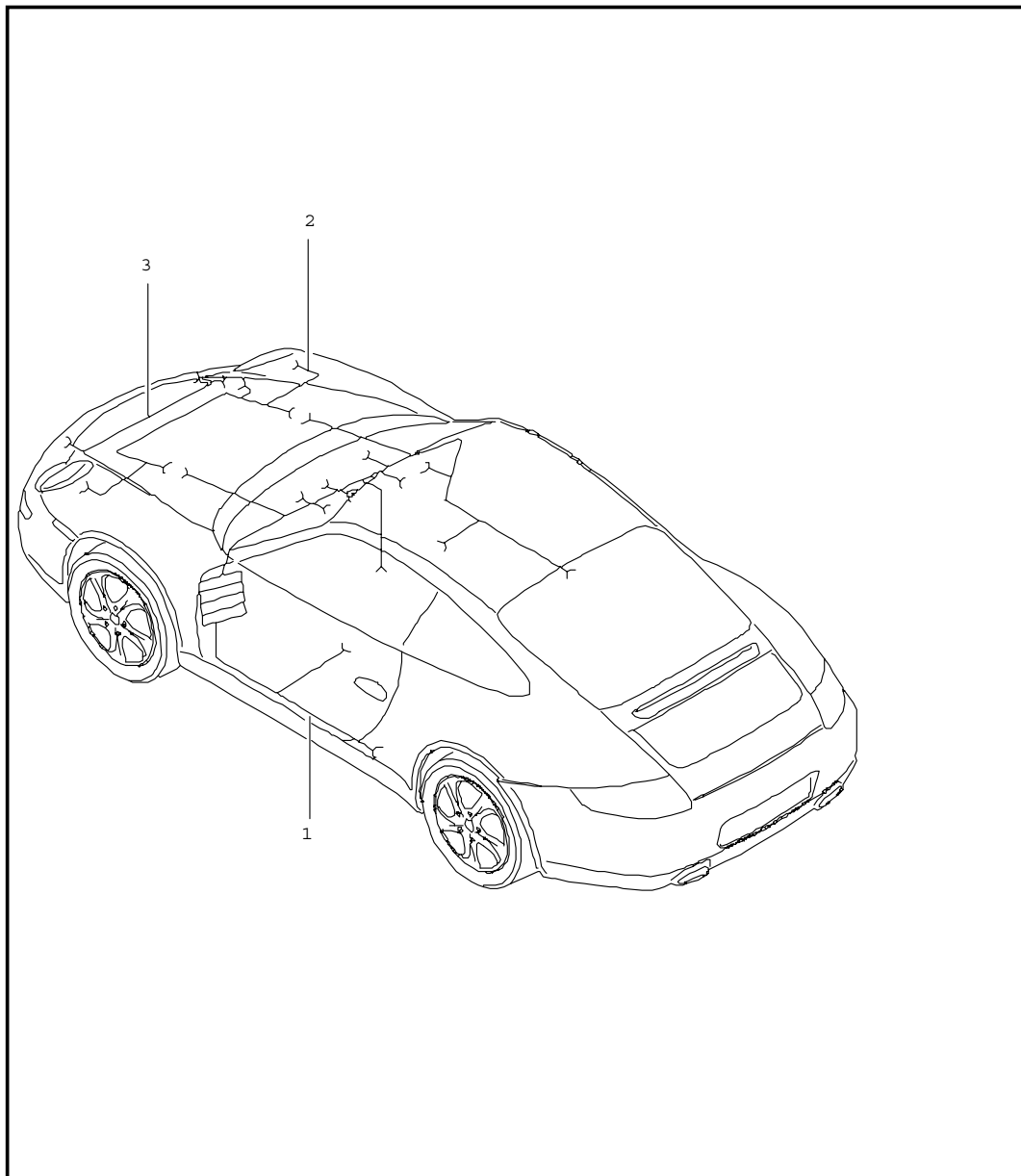
Model	Year	MG	SG	Illustration	Restrictions	Update	13:42	17.11.2005	PORSCHE	PET	PORSCHE
997	06	9	02	902-05		194					

Pos	Part Number	Name	Remarks	Qty	Model	Pos	Part Number	Name	Remarks	Qty	Model
-	-	square washer		4		(13)	997 612 091 01	cable power distributor connection point	/LL 05	1	I098/249
-	-	cover blue		1		(13)	997 612 091 03	cable power distributor connection point	/LL 06	1	I098/249
-	-	seal label red		1		14	997 607 019 02	wiring harness with connection point generator starter		1	I480
(10)	997 610 913 00	repair kit replacement fuse element comprising:		1		(14)	997 607 018 03	wiring harness with connection point generator starter		1	I249
-	-	fuse element 150 AMPERE		1		15	997 607 201 00	connection point complete		1	I480
-	-	hexagon nut M 8		2		(15)	997 607 301 00	connection point complete		1	I249
-	-	square washer		2		16	900 385 009 09	torx screw BM 6 X 16		4	I480
-	-	cover blue		1		(16)	999 919 046 02	screw 5 X 16		1	I249
-	-	seal label red		1		7 >	996 604 103 00	starter		1	
11	997 610 911 00	repair kit replacement power distributor comprising:		1		18	900 385 097 09	torx screw BM 10 X 35		2	
-	-	power distributor without fuse element		1		19	996 607 030 00	ground strap engine body		1	
-	-	hexagon nut M 5		8		20 W	997 603 012 00	generator with pulley without free wheel lock		1	I249
-	-	hexagon nut M 8		3		20 >	997 603 012 02	generator with pulley without free wheel lock		1	I249
-	-	seal label red when required order also: POS. 12		1		20 W	997 603 012 01	generator with pulley free wheel lock		1	I480
12	900 084 123 02	hexagon nut M 8		1							
13	997 612 090 00	cable power distributor connection point	/LL 05	1	I098/480						
13	997 612 090 02	cable power distributor connection point	/LL 06	1	I098/480						

Model	Year	MG	SG	Illustration	Restrictions	Update					
997	06	9	02	902-05		194	13:42	17.11.2005	PORSCHE	PET	PORSCHE

Pos	Part Number	Name	Remarks	Qty	Model	Pos	Part Number	Name	Remarks	Qty	Model
20	> 997 603 012 03	generator with pulley free wheel lock		1	I480						
21	996 603 151 55	pulley without free wheel lock		1	I249						
(21)	996 603 152 50	pulley with free wheel lock		1	I480						
22	N 012 016 1	lock ring B 16		1							
23	900 034 013 02	hexagon nut M 16 X 1,5		1							
-	996 603 113 00	protection cap		1	I249						
-	996 603 153 50	protection cap  mounting parts generator		1	I480						
-	900 385 097 09	torx screw BM 10 X 35		1							
-	900 385 092 04	torx screw BM 10 X 145		1							
24	900 377 003 02	hexagon nut M 8		3							
25	900 377 010 09	hexagon nut M 6		1							
		- - - E N D - - -									

Model	Year	MG	SG	Illustration	Restrictions	Update	13:42	17.11.2005	PORSCHE	PET	PORSCHE
997	06	9	02	902-10		194					

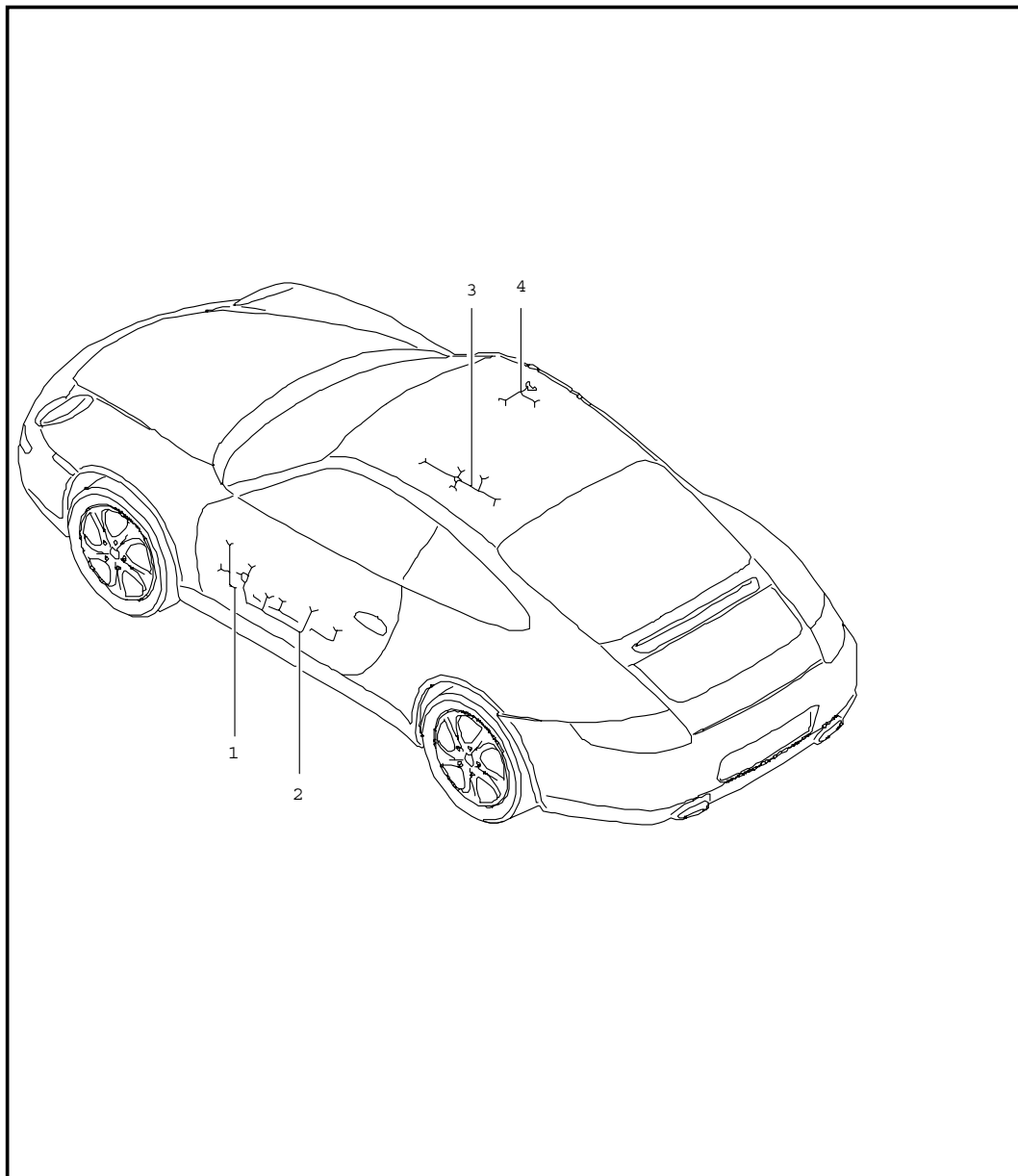


Pos	Part Number	Name	Remarks	Qty	Model
		harnesses passenger compartment front trunk lining front airbag seat-belt tensioner repair kits shock absorber anti-lock brake system brake pad wear indicator front axle			I475
1	997 612 903 00	wiring harness passenger compartment vehicle identification no. indicate		1	
2	997 612 520 00	wiring harness front trunk	05	1	
2	997 612 520 10	wiring harness front trunk	06	1	
(2)	997 612 521 00	wiring harness front trunk	05	1	I601
(2)	997 612 521 10	wiring harness front trunk	06	1	I601
3	997 612 501 00	wiring harness lining front	05	1	
3 N	997 612 501 01	wiring harness lining front	06	1	
-	997 612 781 00	wiring harness airbag passenger's side setting 1		1	
-	997 612 783 00	wiring harness airbag passenger's side setting2		1	
		wiring harness airbag seat see catalogue seat group 8/56/06 8/56/21			
-	997 612 793 00	wiring harness seat-belt tensioner	05	2	

Model	Year	MG	SG	Illustration	Restrictions	Update					
997	06	9	02	902-10		194	13:42	17.11.2005	PORSCHE	PET	PORSCHE

Pos	Part Number	Name	Remarks	Qty	Model	Pos	Part Number	Name	Remarks	Qty	Model
-	997 612 793 01	wiring harness seat-belt tensioner	06	2							
-	997 612 950 00	repair kit wiring harness shock absorber		2	I475						
		repair kit wiring harness anti-lock brake system brake pad wear indicator front axle									
-	997 612 961 00	repair kit wiring harness	/V/L	1	CARRERA/S						
- N	997 612 965 00	repair kit wiring harness	/V/L	1	CARRERA4/4S						
-	997 612 960 00	repair kit wiring harness	/V/R	1	CARRERA/S						
- N	997 612 964 00	repair kit wiring harness when required order also:	/V/R	1	CARRERA4/4S						
-	999 513 049 40	tie-wrap  repair kit wiring harness rear axle see group 9/02/20		4							
		- - - E N D - - -									

Model	Year	MG	SG	Illustration	Restrictions	Update	13:43	17.11.2005	PORSCHE	PET	PORSCHE
997	06	9	02	902-15		194					

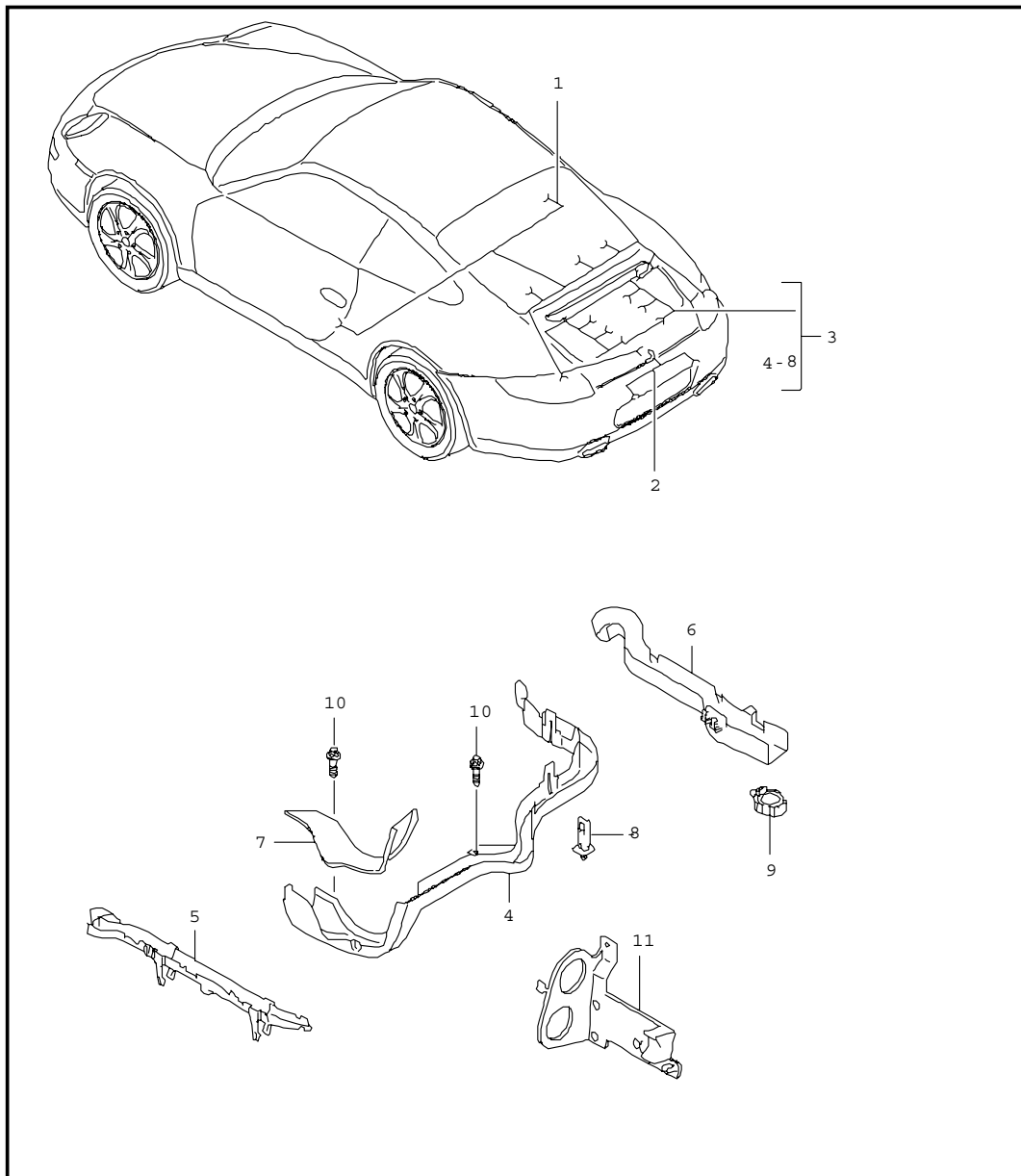


Pos	Part Number	Name	Remarks	Qty	Model
		harnesses doors airbag centre console glove compartment folding top control auxiliary support			CABRIO CABRIO
1	997 612 642 00	wiring harness wiper frame driver's door	/LL 05	1	I098
1	997 612 642 05	wiring harness wiper frame driver's door	/LL 06	1	I098
(1)	997 612 643 00	wiring harness wiper frame passenger's door	/LL 05	1	I098
(1)	997 612 643 55	wiring harness wiper frame passenger's door	/LL 06	1	I098
-	997 612 780 00	wiring harness	05	2	
-	997 612 780 16	wiring harness airbag	06	2	
2	997 612 647 00	wiring harness door panel driver's door	/LL 05	1	I098
2	997 612 647 05	wiring harness door panel driver's door	/LL 06	1	I098
(2)	997 612 648 00	wiring harness	/LL 05	1	I098
(2)	997 612 648 05	wiring harness	/LL 06	1	I098
3	997 612 652 00	wiring harness centre console	05	1	COUPE
(3)	997 612 652 50	wiring harness centre console	05	1	CABRIO
(3)	997 612 652 75	wiring harness centre console	06	1	
4	997 612 651 00	wiring harness glove compartment		1	
-	-	wiring harness folding top control see group 8/11/07		1	CABRIO

Model	Year	MG	SG	Illustration	Restrictions	Update						
997	06	9	02	902-15		194	13:43	17.11.2005	PORSCHE	PET	PORSCHE	

Pos	Part Number	Name	Remarks	Qty	Model	Pos	Part Number	Name	Remarks	Qty	Model
-	-	wiring harness auxiliary support see group 8/11/15  - - - E N D - - -		1	CABRIO						

Model	Year	MG	SG	Illustration	Restrictions	Update	13:43	17.11.2005	PORSCHE	PET	PORSCHE
997	06	9	02	902-20		194					



Pos	Part Number	Name	Remarks	Qty	Model
		harnesses rear end cover rear additional stoplamp license plate light engine transmission repair kits shock absorber anti-lock brake system brake pad wear indicator rear axle			IXAA CABRIO I249 I475
1	997 612 904 00	wiring harness rear end vehicle identification no. indicate		1	
-	997 612 670 71	wiring harness cover rear		1	IXAA
-	997 612 681 00	wiring harness additional stoplamp		1	CABRIO
-	996 423 101 00	protective tube for wiring harness		1	CABRIO
2	997 612 660 00	wiring harness license plate light		1	
(2)	997 612 661 00	wiring harness park distance control license plate light		1	I635
3	997 607 010 02	wiring harness engine M >> 695 06305 M >> 685 07981		1	M.96/05 M.97/01
3	997 607 010 03	wiring harness engine M 695 06306 >> 695 08791 M 685 07982 >> 685 12087		1	M.96/05 M.97/01
3	997 607 010 04	wiring harness engine M 695 08792 >> M 685 12088 >>		1	M.96/05 M.97/01
		when required order also:			

Model	Year	MG	SG	Illustration	Restrictions	Update	13:43	17.11.2005	PORSCHE	PET	PORSCHE
997	06	9	02	902-20		194					

Pos	Part Number	Name	Remarks	Qty	Model	Pos	Part Number	Name	Remarks	Qty	Model
-	997 606 136 00	protective tube heat protection for temperature sensor water cooled		1		-	999 591 746 02	cable holder for wiring harness transmission		4	I249
-	997 607 130 00	connecting line adapter for valve tank ventilation	06	1	M 97/01/IX51	-	997 612 950 00	repair kit wiring harness shock absorber		2	I475
4	997 607 110 00	cable guide crankcase		1							
5	997 607 111 00	cable guide cyl. 1 - 3		1		-	997 612 967 00	repair kit wiring harness	/H/L	1	
6	997 607 112 00	cable guide cyl. 4 - 6 for wiring harness 997.607.010.02		1		-	997 612 966 00	repair kit wiring harness when required order also:	/H/R	1	
(6)	997 607 112 01	cable guide cyl. 4 - 6 for wiring harness 997.607.010.03/.04		1		-	999 507 960 02	cable holder  repair kit wiring harness front axle see group 9/02/10		4	
7	997 607 113 00	cover cable guide		1				- - - E N D - - -			
8	997 607 114 00	support cable guide		1							
9	999 507 075 40	cable holder 3,0 - 12,0		1							
10	900 385 009 09	torx screw BM 6 X 16		2							
11	996 607 101 02	support connection point wiring harness engine		1							
-	997 622 663 00	wiring harness transmission		1	I249						
-	999 507 752 40	cable holder for wiring harness transmission		1	I249						

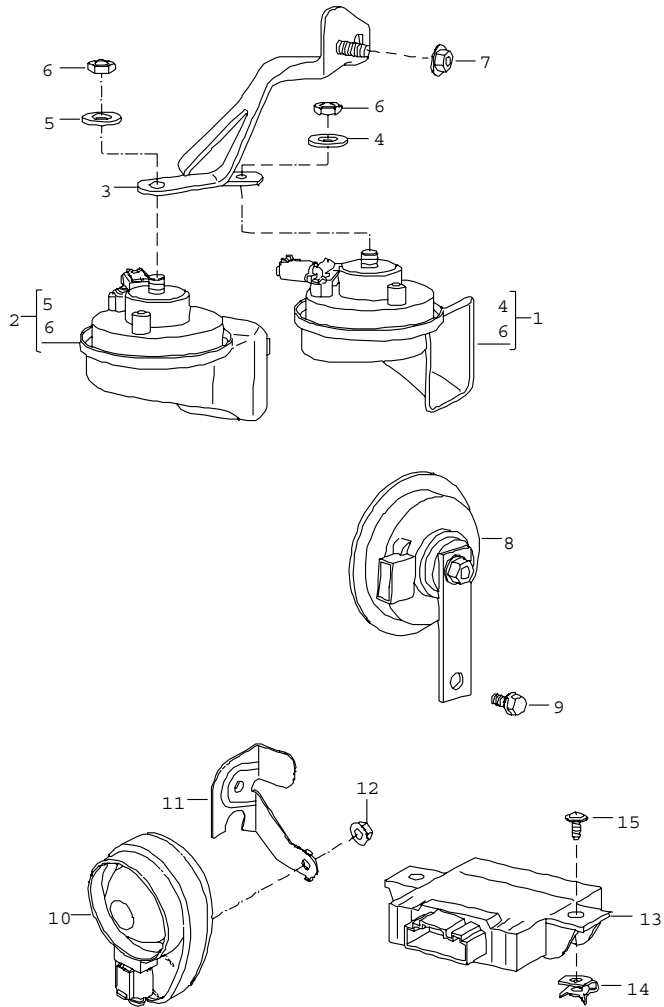
Model	Year	MG	SG	Illustration	Restrictions	Update	13:43	17.11.2005
997	06	9	02	902-50		194		

Pos	Part Number	Name	Remarks	Qty	Model
		optical waveguide module passenger compartment			
-	997 622 701 00	optical waveguide module	/LL	1	I098/670/672 I680/689/692
-	997 622 702 00	optical waveguide module	/LL	1	I098/666/689
-	997 622 703 00	optical waveguide module	/LL	1	I098/666/670 672/680/692
-	997 610 122 00	support connection point		1	
		module front trunk C A R R E R A / S			
-	997 622 707 00	optical waveguide module	/LL	1	I098/670/672
-	997 622 704 00	optical waveguide module	/LL	1	I098/680
-	997 622 708 00	optical waveguide module	/LL	1	I098/664/692
-	997 622 710 00	optical waveguide module	/LL	1	I098/670/672 I680
-	997 622 715 00	optical waveguide module	/LL	1	I098/664/670 I672/692
-	997 622 712 00	optical waveguide module	/LL	1	I098/664/680 692
-	997 622 713 00	optical waveguide module	/LL	1	I098/664/670 I672/680/692
		module front trunk C A R R E R A 4 / 4 S			
-	N 997 622 723 00	optical waveguide module	/LL	1	I098/670/672
-	N 997 622 705 00	optical waveguide module	/LL	1	I098/680
-	N 997 622 721 00	optical waveguide module	/LL	1	I098/692
-	N 997 622 722 00	optical waveguide module	/LL	1	I098/664/670 672
-	N 997 622 726 00	optical waveguide module	/LL	1	I098/664/680

Model	Year	MG	SG	Illustration	Restrictions	Update	13:43	17.11.2005
997	06	9	02	902-50		194		

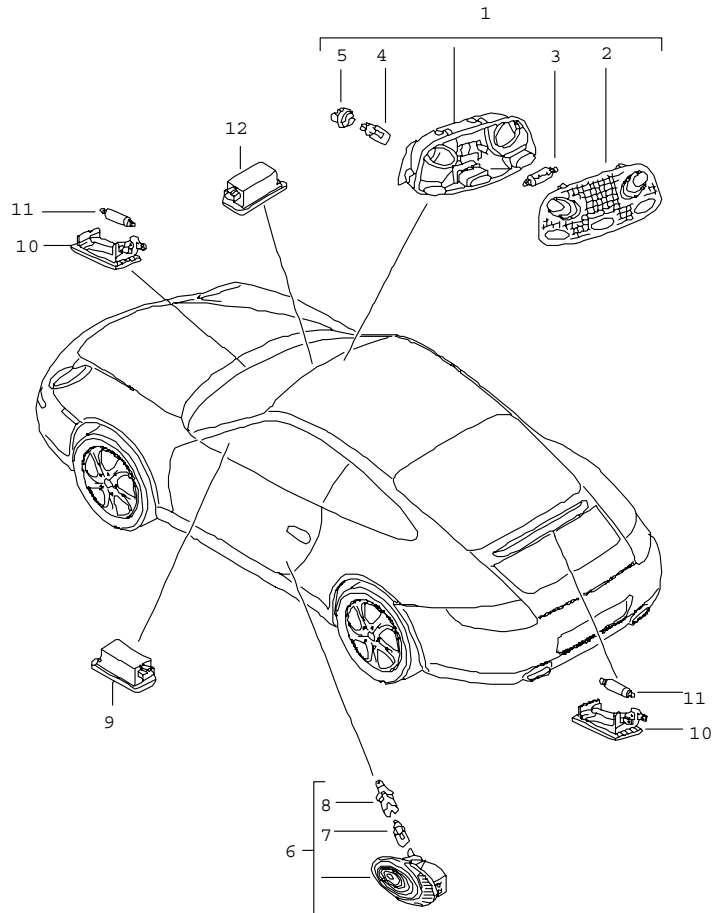
Pos	Part Number	Name	Remarks	Qty	Model
-	N 997 622 728 00	optical waveguide module	/LL	1	I098/664/692
-	N 997 622 718 00	optical waveguide module	/LL	1	I098/670/672 680
-	N 997 622 717 00	optical waveguide module	/LL	1	I098/664/670 672/680
-	N 997 622 724 00	optical waveguide module	/LL	1	I098/670/672 692
-	N 997 622 725 00	optical waveguide module	/LL	1	I098/664/670 672/692
-	N 997 622 716 00	optical waveguide module	/LL	1	I098/680/692
-	N 997 622 727 00	optical waveguide module	/LL	1	I098/664/680 692
-	N 997 622 719 00	optical waveguide module	/LL	1	I098/670/672 680/692
-	N 997 622 720 00	optical waveguide module	/LL	1	I098/664/670 672/680/692
		- - - E N D - - -			

Model	Year	MG	SG	Illustration	Restrictions	Update	13:43	17.11.2005	PORSCHE	PET	PORSCHE
997	06	9	03	903-00		194					



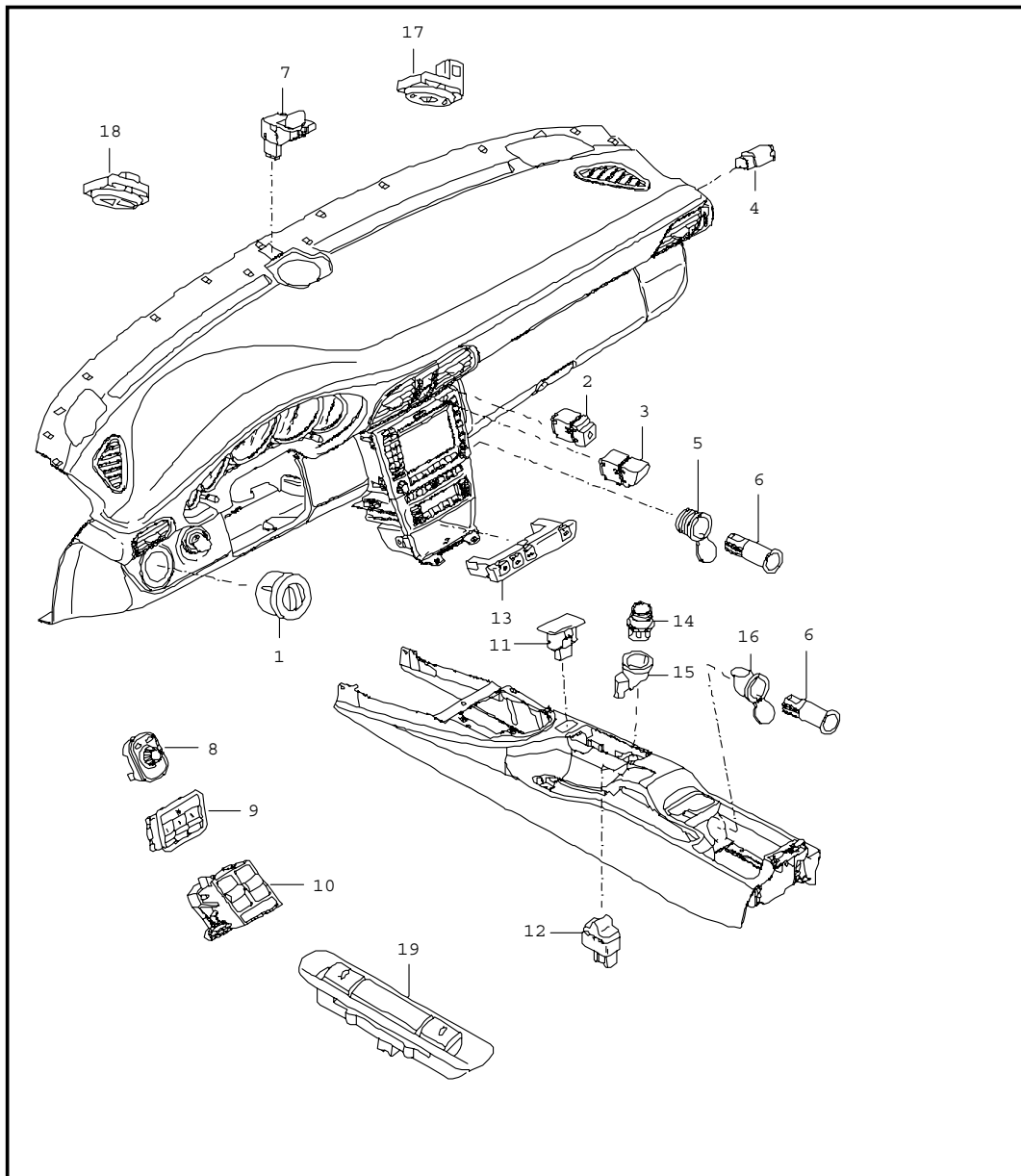
Pos	Part Number	Name	Remarks	Qty	Model
		fanfare horn			
1	997 635 206 00	fanfare high-pitched		1	
2	997 635 205 00	fanfare low-pitched		1	
3	997 635 150 01	support		1	
4	-	washer high-pitched		1	
5	-	washer low-pitched		1	
6	N 011 118 8	hexagon nut M 8		2	
7	900 377 003 02	hexagon nut M 8		1	
8	996 637 117 02	horn for alarm system		1	
9	900 075 459 09	screw M 6 X 12 Z2		1	
		- - - E N D - - -			

Model	Year	MG	SG	Illustration	Restrictions	Update	13:43	17.11.2005	PORSCHE	PET	PORSCHE
997	06	9	03	903-04		194					



Pos	Part Number	Name	Remarks	Qty	Model
		interior lights luggage boot lamp engine compartment lamp glove compartment light floor light			
1	997 632 051 00	interior light		1	
2	996 632 151 00	lens		1	
3	900 631 106 90	bulb 10 W		1	
4	999 631 134 90	bulb 6 W		2	
5	999 632 018 00	bulb holder		2	
6	996 632 132 01	door guard light		2	
7	999 631 032 90	bulb 5 W		2	
8	161 949 111	bulb holder		2	
9	955 632 202 00	light footwell		2	
10	997 632 201 00	light engine compartment luggage compartment		2	
11	900 631 106 90	bulb 10 W		2	
12	997 632 071 00	glove compartment light		1	
-	999 631 137 90	bulb 3 W make-up mirror		4	
		- - - E N D - - -			

Model	Year	MG	SG	Illustration	Restrictions	Update	13:43	17.11.2005	PORSCHE	PET	PORSCHE
997	06	9	03	903-05		194					

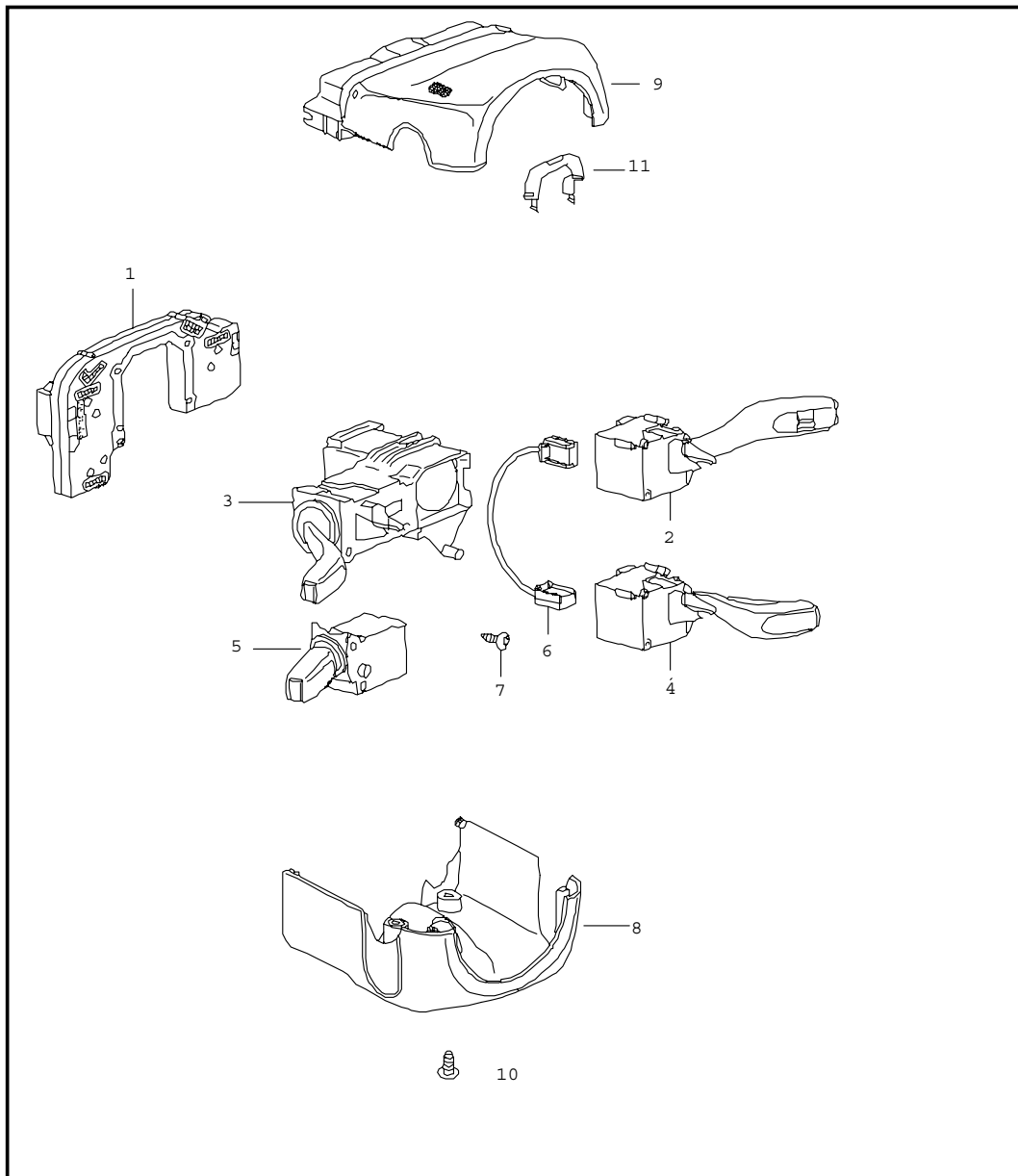


Pos	Part Number	Name	Remarks	Qty	Model
1	997 613 535 01	switch		1	
	A05	light switch			
	A05	black mat			
2	997 613 120 02	hazard warning light sw.		1	
	A05	black mat			
3	997 613 143 00	switch		1	
		central locking system			
	A05	black mat			
4	955 613 165 01	switch	05	1	
		airbag			
	B41	satin black			
(4)	997 613 211 00	switch	06	1	
		airbag			
	B41	satin black			
5	997 652 103 00	clamping ring		1	
		with cover			
6	955 652 107 00	socket		2	
7	997 653 251 00	sensor		1	I573
		air conditioner			
8	997 613 241 00	switch		1	
		door mirror			
	A05	black mat			
9	997 613 103 00	memory switch	/L	1	I537
	A05	black mat			
(9)	997 613 104 00	memory switch	/R	1	I538
	A05	black mat			
10	997 613 151 02	switch	/LL 05	1	COUPE I098
		power windows driver's side			
	A05	black mat			
10 N	997 613 151 03	switch	/LL 06	1	COUPE I098
		power windows driver's side			
	A05	black mat			

Model	Year	MG	SG	Illustration	Restrictions	Update	13:43	17.11.2005	PORSCHE	PET	PORSCHE
997	06	9	03	903-05		194					

Pos	Part Number	Name	Remarks	Qty	Model	Pos	Part Number	Name	Remarks	Qty	Model
(10)	997 613 153 02	switch power windows driver's side	/LL 05	1	CABRIO I098	(13)	997 613 129 00	combined switch		1	IXLF/476
	A05	black mat					FMH	volcano grey/black mat			
(10)	N 997 613 153 03	switch power windows driver's side	/LL 06	1	CABRIO I098	14	996 652 101 10	cigarette lighter		1	
	A05	black mat					A05	black mat			
(10)	997 613 156 02	switch power windows passenger's side	/LL 05	1	I098	15	997 652 102 00	headlight unit		1	
	A05	black mat				16	997 652 104 00	clamping ring with cover		1	
(10)	N 997 613 156 03	switch power windows passenger's side	/LL 06	1	I098	17	997 613 147 00	switch sunroof		1	I650
	A05	black mat					A05	black mat			
11	997 641 165 00	indicator light airbag		1		18	997 613 225 00	switch garage door opener	/L	1	I607/I608
	A05	black mat					A05	black mat			
12	997 613 141 01	switch folding top control		1	CABRIO	(18)	997 613 227 00	switch garage door opener	/R	1	I607/I608
	A05	black mat					A05	black mat			
(12)	-	cover see group 8/09/20 POS.6			COUPE	(18)	997 613 235 00	cover		2	
							01C	satin black			
13	997 613 139 00	combined switch		1	I475/476/639 I640	19	997 613 105 00	switch cover front and rear		1	
	FMH	volcano grey/black mat					A05	black mat			
(13)	997 613 137 00	combined switch		1	I476/639/640			- - - E N D - - -			
	FMH	volcano grey/black mat									
(13)	997 613 135 00	combined switch		1	I475/476						
	FMH	volcano grey/black mat									
(13)	997 613 131 00	combined switch		1	IXLF/475/476						
	FMH	volcano grey/black mat									
(13)	997 613 133 00	combined switch		1	I476						
	FMH	volcano grey/black mat									

Model	Year	MG	SG	Illustration	Restrictions	Update	13:44	17.11.2005	PORSCHE	PET	PORSCHE
997	06	9	03	903-10		194					

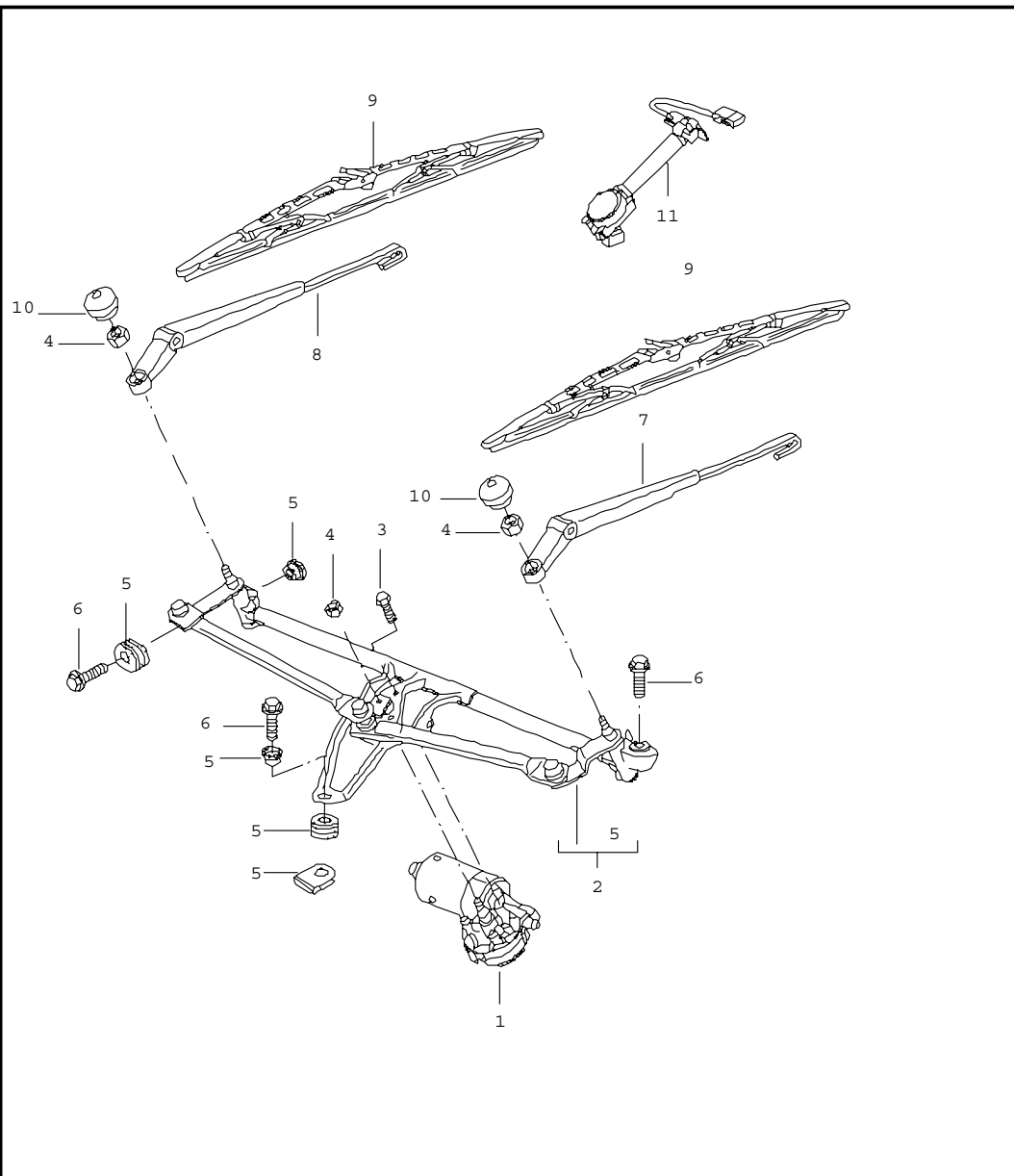


Pos	Part Number	Name	Remarks	Qty	Model
		steering column switch			
1	A 997 613 291 01	electronic unit		1	
1	997 613 291 02	electronic unit		1	
2	997 613 251 00	wiper switch		1	
	01C	satin black			
(2)	997 613 253 00	wiper switch		1	I288
	01C	satin black			
(2)	997 613 255 00	wiper switch		1	I425
	01C	satin black			
(2)	997 613 257 00	wiper switch		1	I288/I425
	01C	satin black			
3	997 613 245 00	direction indicator switch		1	
	01C	satin black			
4	997 613 261 00	switch cruise control		1	I454
	01C	satin black			
5	997 613 265 00	switch on-board computer		1	I659
	01C	satin black			
6	997 622 674 00	wiring harness cruise control		1	I454
7	N 909 068 01	torx screw M 2,5 X 2,6 X 43,5-D		X	
8	997 552 475 02	switch housing lower		1	
	A03	black			
(8)	997 552 475 03	switch housing lower		1	I454
	A03	black			
8	997 552 979 00	switch housing lower leather	06	1	IXNS
	A11	black			

Model	Year	MG	SG	Illustration	Restrictions	Update					
997	06	9	03	903-10		194	13:44	17.11.2005	PORSCHE	PET	PORSCHE

Pos	Part Number	Name	Remarks	Qty	Model	Pos	Part Number	Name	Remarks	Qty	Model
	5X6	stone grey					9V6	cocoa			
	8G2	sand beige					D12	dark grey/natural			
	3S9	sea blue					T12	brown/natural			
	4P2	palmgreen				10	999 919 136 02	oval-head screw 3,5 X 18		3	
	9S5	terracotta				11	997 610 206 00	cable guide		1	
	9V6	cocoa						- - - E N D - - -			
	D12	dark grey/natural									
	T12	brown/natural									
(8)	997 552 979 01	switch housing lower leather	06	1	IXNS/454						
	A11	black									
	5X6	stone grey									
	8G2	sand beige									
	3S9	sea blue									
	4P2	palmgreen									
	9S5	terracotta									
	9V6	cocoa									
	D12	dark grey/natural									
	T12	brown/natural									
9	997 552 273 02	switch housing upper		1							
	A03	black									
9	997 552 997 00	switch housing upper leather	06	1	IXNS						
	A11	black									
	5X6	stone grey									
	8G2	sand beige									
	3S9	sea blue									
	4P2	palmgreen									
	9S5	terracotta									

Model	Year	MG	SG	Illustration	Restrictions	Update	13:44	17.11.2005	PORSCHE	PET	PORSCHE
997	06	9	04	904-00		194					



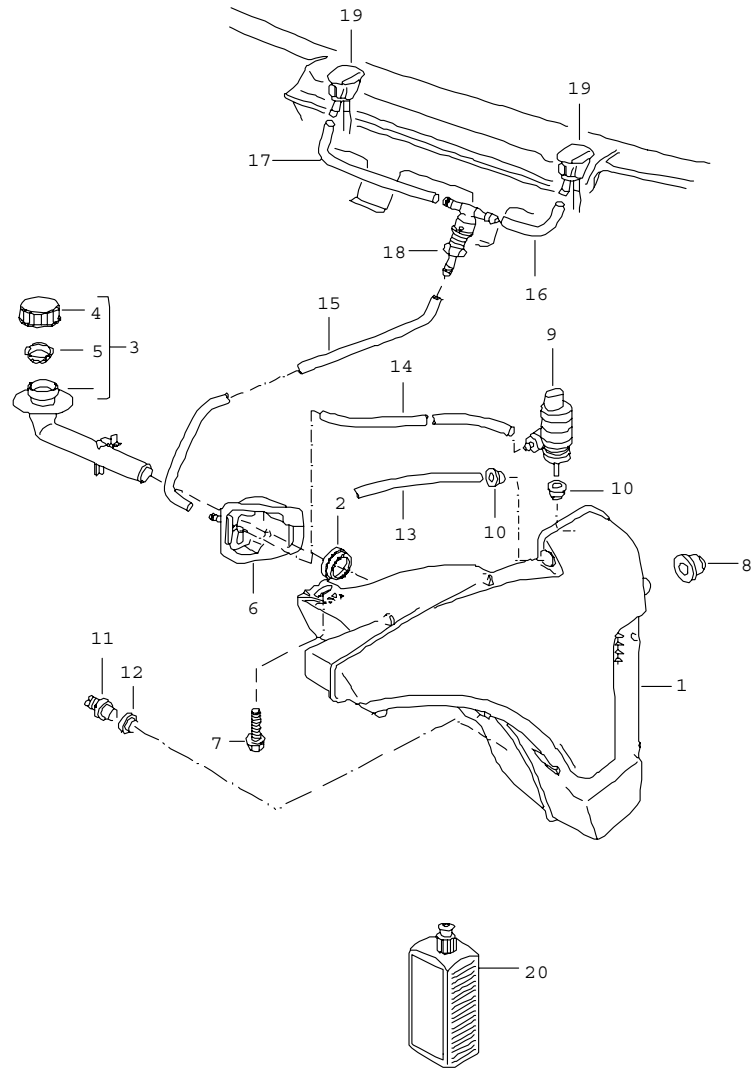
Pos	Part Number	Name	Remarks	Qty	Model
		windscreen wiper system rain sensor			
1	997 624 105 00	wiper motor	/LL	1	I098
2	997 628 235 00	crank drive	/LL	1	I098
3	999 073 359 09	torx screw M 6 X 18		3	
4	900 076 064 01	hexagon nut M 8		3	
5	997 628 928 00	repair kit comprising:		1	
-	-	sleeve		1	
-	-	rubber bush		1	
-	-	sleeve		1	
-	-	rubber bush		1	
-	-	clamp		2	
6	999 075 075 09	screw M 6 X 22 SC		3	
7	996 628 028 00	wiper arm driver's side	/LL	1	I098
8	996 628 028 01	wiper arm passenger's side	/LL	1	I098
9	996 628 901 08	wiper blade set driver's side passenger's side		1	
10	944 628 305 01	cap		2	
11	997 612 693 00	rain sensor with wiring harness		1	COUPE I268
(11)	997 612 694 00	rain sensor with wiring harness		1	COUPE I267/ I268
(11)	997 612 693 25	rain sensor with wiring harness		1	CABRIO I268

Model	Year	MG	SG	Illustration	Restrictions	Update					
997	06	9	04	904-00		194	13:44	17.11.2005	PORSCHE	PET	PORSCHE

Pos	Part Number	Name	Remarks	Qty	Model	Pos	Part Number	Name	Remarks	Qty	Model
(11)	997 612 694 25	rain sensor with wiring harness		1	CABRIO I267/ I268						
-	000 043 204 65	adhesive film for rain sensor		1							
(11)	997 612 695 00	wiring harness with light for cars without rain sensor		1	COUPE						
(11)	997 612 695 25	wiring harness with light for cars without rain sensor		1	CABRIO						
		- - - E N D - - -									



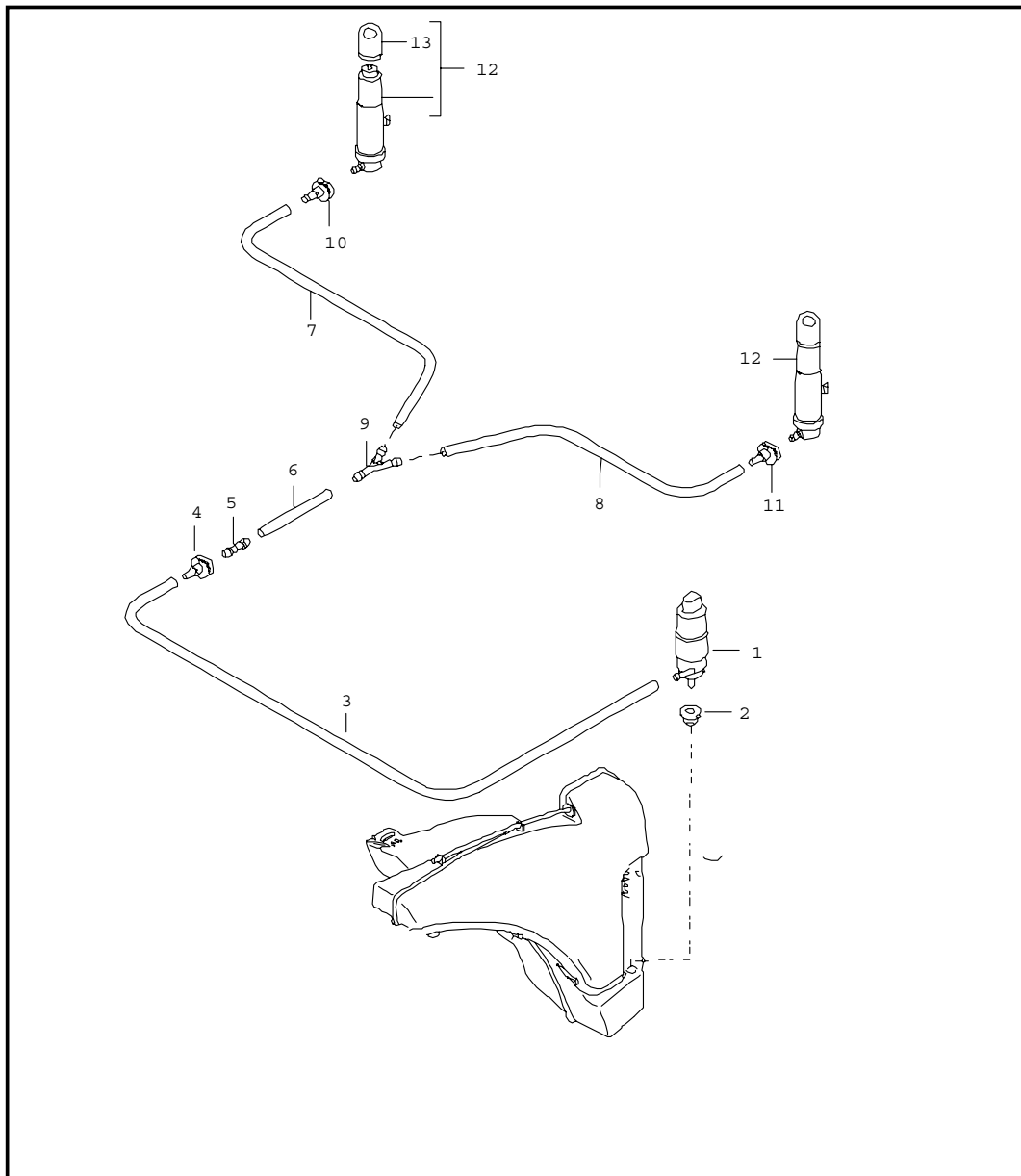
Model	Year	MG	SG	Illustration	Restrictions	Update	13:44	17.11.2005	PORSCHE	PET	PORSCHE
997	06	9	04	904-10		194					



Pos	Part Number	Name	Remarks	Qty	Model
		windscreen washer system			
1	997 528 701 01	water reservoir		1	I288
(1)	997 528 701 00	water reservoir		1	
2	996 528 711 00	gasket		1	
3	997 528 605 00	filler neck		1	
4	996 528 607 00	cover		1	
5	997 528 621 00	strainer		1	
6	996 528 615 01	bracket		1	
-	999 137 091 40	socket repair material for bracket 996.528.615.01		X	
7	900 378 154 09	hexagon-head bolt AM 8 X 35 SB		1	
8	999 702 221 40	grommet		2	
9	997 628 182 00	pump		1	
10	431 955 465 B	gasket		2	
11	955 628 105 00	tank gauge		1	
12	955 528 721 00	gasket		1	
13	999 181 347 40	breather pipe 273 MM		*	
-	999 181 815 40	hose 5,0 X 2,5		*	
14	-	375 MM		1	
15	-	650 MM		1	
16	-	97 MM		1	
17	-	347 MM		1	
(18)	999 137 005 40	t-piece		1	
19	996 628 077 01	nozzle	05	2	
19	996 628 077 03	nozzle	06	2	
20	999 901 017 42	window cleaner 250 ML summer		X	

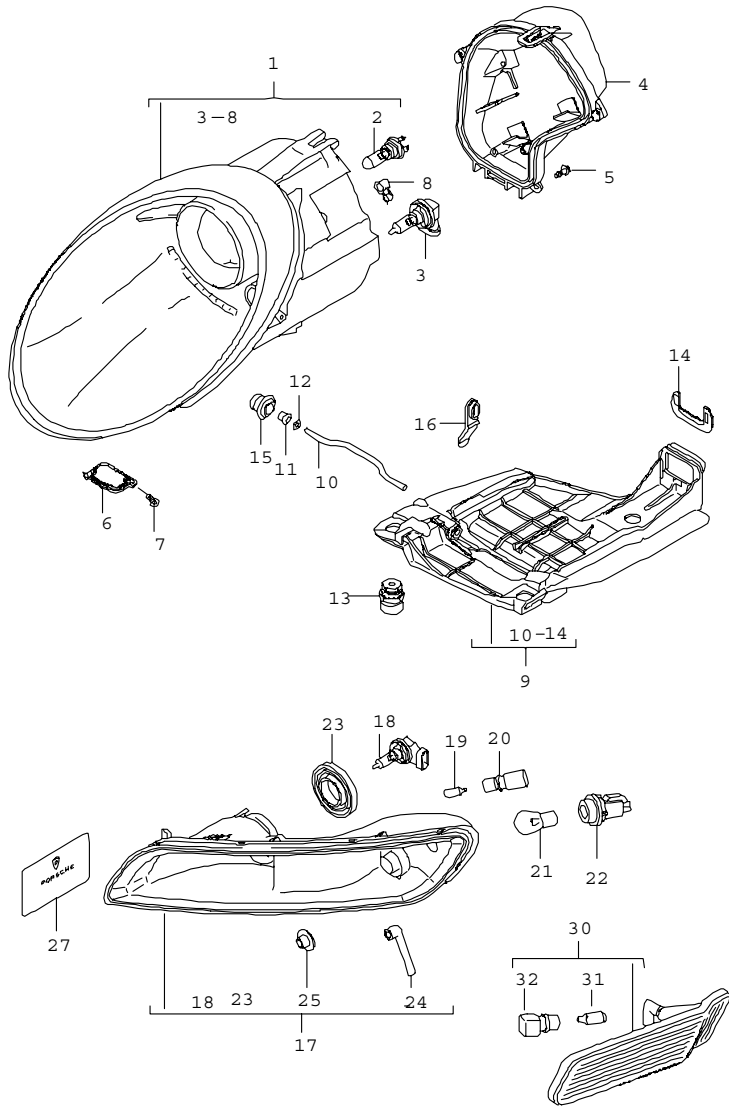


Model	Year	MG	SG	Illustration	Restrictions	Update	13:45	17.11.2005	PORSCHE	PET	PORSCHE
997	06	9	04	904-20		194					



Pos	Part Number	Name	Remarks	Qty	Model
		headlight washer system			I288
1	997 624 502 00	pump		1	
2	928 628 193 00	gasket		1	
-	000 043 204 79	hose 8 X 3		*	
3	-	890 MM		1	
4	996 628 204 00	quick-connecting lock		1	
5	997 628 208 00	hose connection		1	
-	999 181 760 40	hose 10 X 3		*	
6	-	440 MM			
7	-	80 MM			
8	-	1850 MM			
9	999 137 093 40	y-piece		1	
10	997 628 204 00	quick-connecting lock		1	
11	997 628 205 00	quick-connecting lock		1	
12	997 628 133 00	nozzle		2	
13	997 628 231 00	nozzle head		2	
		- - - E N D - - -			

Model	Year	MG	SG	Illustration	Restrictions	Update	13:45	17.11.2005	PORSCHE	PET	PORSCHE
997	06	9	05	905-00		194					

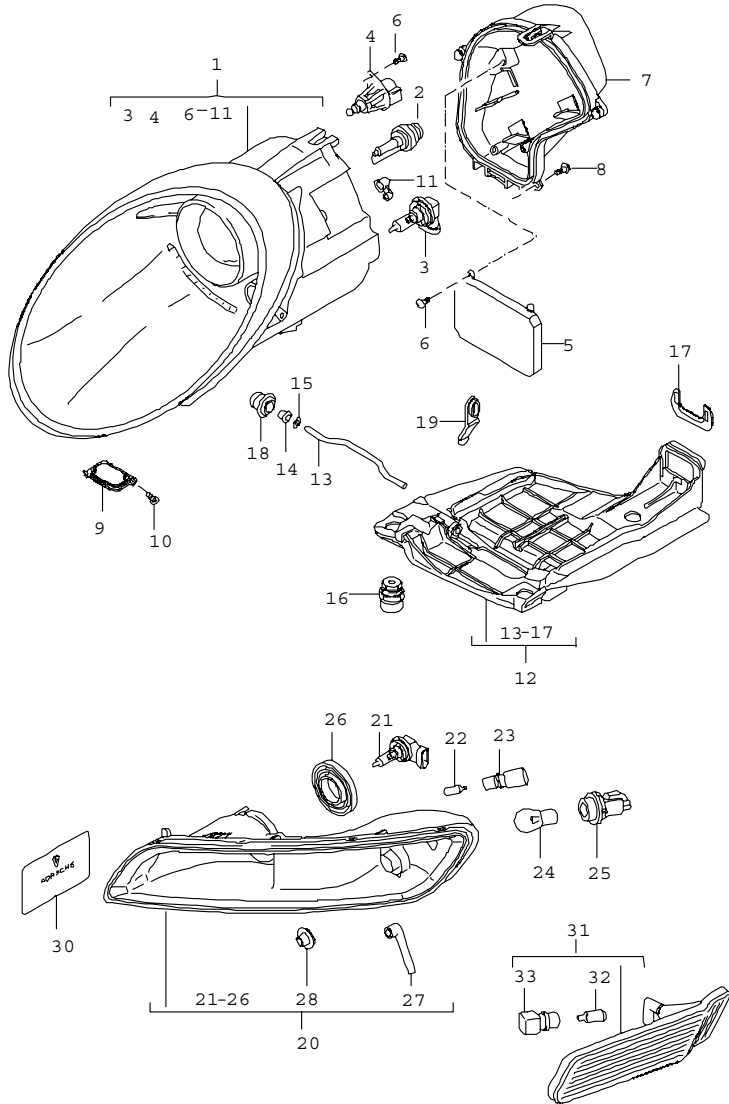


Pos	Part Number	Name	Remarks	Qty	Model
		headlamp additional headlamp side marker light			
1	A 997 631 163 21	headlamp F >>995S7 55660	/L	1	
1	997 631 163 22	headlamp	/L	1	
(1)	A 997 631 164 21	headlamp F >>995S7 55660	/R	1	
(1)	997 631 164 22	headlamp	/R	1	
2	999 631 133 91	halogen bulb H 7		2	
3	999 631 143 90	halogen bulb H 9		2	
4	997 631 101 00	protective cap	/L	1	
(4)	997 631 102 00	protective cap	/R	1	
5	997 631 191 00	screw		8	
6	997 631 149 00	ventilation component	/L	1	
(6)	997 631 150 00	ventilation component	/R	1	
7	997 631 153 00	screw		4	
8	997 631 249 00	breather adapter		2	
9	997 631 073 00	mounting F >>995S7 55660	/L	1	
9	997 631 073 01	mounting F 995S7 55661>>	/L	1	
(9)	997 631 074 00	mounting F >>995S7 55660	/R	1	
(9)	997 631 074 01	mounting F 995S7 55661>>	/R	1	
10	997 631 273 00	clamping bow F >>995S7 55660		2	
10	997 631 273 01	clamping bow F 995S7 55661>>		2	
11	997 631 272 00	bearing sleeve		2	
12	900 116 004 09	lock washer		2	
13	997 631 194 00	fastening part		6	

Model	Year	MG	SG	Illustration	Restrictions	Update	13:45	17.11.2005	PORSCHE	PET	PORSCHE
997	06	9	05	905-00		194					

Pos	Part Number	Name	Remarks	Qty	Model	Pos	Part Number	Name	Remarks	Qty	Model
14	997 631 245 00	locking device connector housing		2							
15	999 703 413 40	plug		2							
16	993 631 170 03	plug		4							
(16)	996 631 127 01	plug		2							
		additional headlamp									
17	997 631 081 01	additional headlamp	/L	1							
(17)	997 631 082 01	additional headlamp	/R	1							
18	999 631 142 90	halogen bulb H 8		2							
19	999 631 033 90	bulb 5 W position light		2							
20	997 631 137 00	bulb holder position light		2							
21	900 631 021 90	bulb 21 W direction indicator light		2							
22	997 631 139 00	bulb holder direction indicator light		2							
23	997 631 145 00	cap		2							
24	997 631 147 00	breather adapter		2							
25	997 631 293 00	cover		4							
27	997 631 231 00	card for release additional headlamp side marker light		1							
30	997 631 037 01	side marker light	/L	1							
(30)	997 631 038 01	side marker light	/R	1							
31	900 631 019 90	bulb 3 W white		2							
32	997 631 133 00	bulb holder		2							
		- - - E N D - - -									

Model	Year	MG	SG	Illustration	Restrictions	Update	13:45	17.11.2005	PORSCHE	PET	PORSCHE
997	06	9	05	905-01		194					

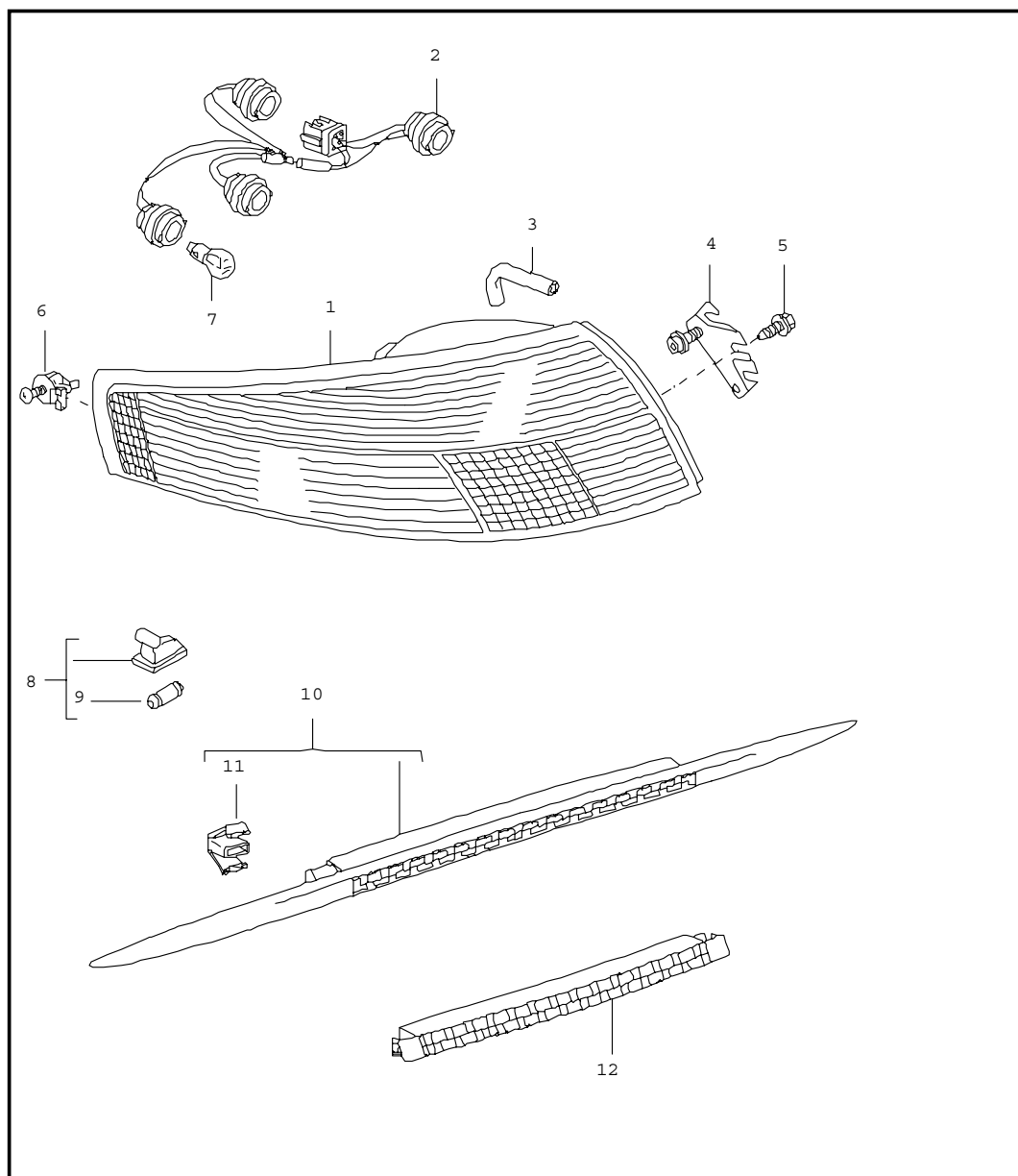


Pos	Part Number	Name	Remarks	Qty	Model
		headlamp additional headlamp side marker light			I601
		headlamp without control unit and bulb XENON			
1	997 631 157 21	headlamp F >>995S7 55561	/L	1	
1	997 631 157 22	headlamp F 995S7 55562>>	/L	1	
(1)	997 631 158 21	headlamp F >>995S7 55561	/R	1	
(1)	997 631 158 22	headlamp F 995S7 55562>>	/R	1	
2	999 631 036 90	bulb - PHILIPS -		2	
3	999 631 144 91	halogen bulb H 11		2	
4	997 631 125 01	electric motor headlight levelling system F >>995S7 55561	/L	1	
(4)	997 631 126 01	electric motor headlight levelling system F >>995S7 55561	/R	1	
4	997 631 141 00	electric motor headlight levelling system F 995S7 55562>>		2	
-	N 997 631 941 00	when required order also: cable adapter		2	
5	997 631 183 00	control unit		2	
6	997 631 199 00	screw		6	
7	997 631 101 00	protective cap	/L	1	
(7)	997 631 102 00	protective cap	/R	1	
8	997 631 191 00	screw		8	
9	997 631 149 00	ventilation component	/L	1	

Model	Year	MG	SG	Illustration	Restrictions	Update	13:45	17.11.2005	PORSCHE	PET	PORSCHE
997	06	9	05	905-01		194					

Pos	Part Number	Name	Remarks	Qty	Model	Pos	Part Number	Name	Remarks	Qty	Model
(9)	997 631 150 00	ventilation component	/R	1		25	997 631 139 00	bulb holder direction indicator light		2	
10	997 631 153 00	screw		4		26	997 631 145 00	cap		2	
11	997 631 249 00	breather adapter		2		27	997 631 147 00	breather adapter		2	
12	997 631 073 00	mounting F >>995S7 55561	/L	1		28	997 631 293 00	cover		4	
12	997 631 073 01	mounting F 995S7 55562>>	/L	1		30	997 631 231 00	card for release additional headlamp		1	
(12)	997 631 074 00	mounting F >>995S7 55561	/R	1				side marker light			
(12)	997 631 074 01	mounting F 995S7 55562>>	/R	1		31	997 631 037 01	side marker light	/L	1	
13	997 631 273 00	clamping bow F >>995S7 55561		2		(31)	997 631 038 01	side marker light	/R	1	
13	997 631 273 01	clamping bow F 995S7 55562>>		2		32	900 631 019 90	bulb 3 W white		2	
14	997 631 272 00	bearing sleeve		2		33	997 631 133 00	bulb holder		2	
15	900 116 004 09	lock washer		2				- - - E N D - - -			
16	997 631 194 00	fastening part		6							
17	997 631 245 00	locking device connector housing		2							
18	999 703 413 40	plug		2							
19	993 631 170 03	plug		4							
(19)	996 631 127 01	plug		2							
		additional headlamp									
20	997 631 081 01	additional headlamp	/L	1							
(20)	997 631 082 01	additional headlamp	/R	1							
21	999 631 142 90	halogen bulb H 8		2							
22	999 631 033 90	bulb 5 W position light		2							
23	997 631 137 00	bulb holder position light		2							
24	900 631 021 90	bulb 21 W direction indicator light		2							

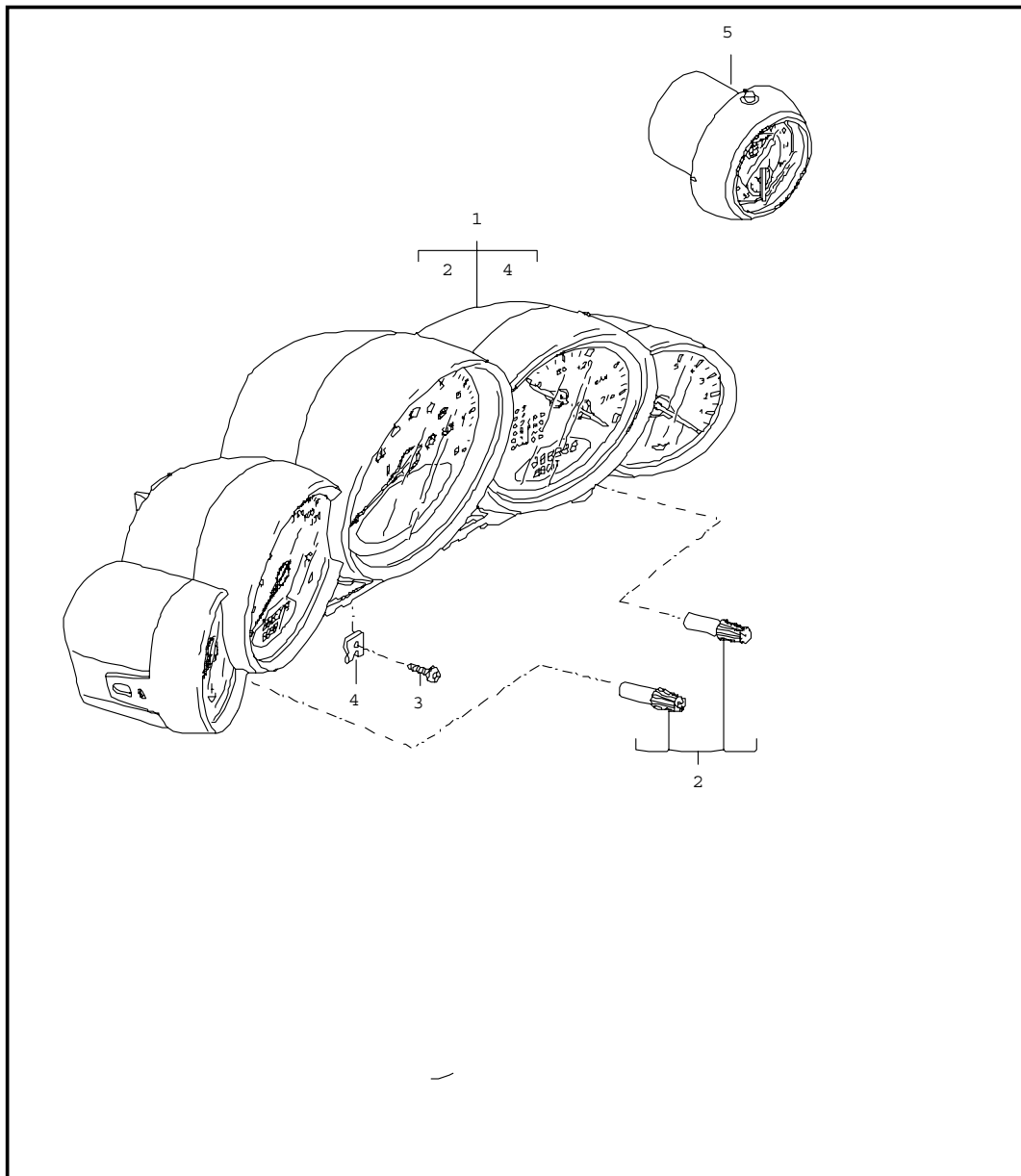
Model	Year	MG	SG	Illustration	Restrictions	Update	13:45	17.11.2005	PORSCHE	PET	PORSCHE
997	06	9	05	905-05		194					



Pos	Part Number	Name	Remarks	Qty	Model
		rear light license plate light additional stoplamp			
1	997 631 485 01	rear light housing	/L 05	1	
1	N 997 631 485 02	rear light housing	/L 06	1	
(1)	997 631 486 01	rear light housing	/R 05	1	
(1)	N 997 631 486 02	rear light housing	/R 06	1	
2	997 631 436 00	wiring harness		2	
3	997 631 451 00	breather adapter		4	
4	997 631 463 01	support	/L	1	
(4)	997 631 464 01	support	/R	1	
5	900 146 075 09	screw M 6 X 12		2	
6	997 631 471 00	mounting		2	
7	900 631 018 90	bulb 21 W white		X	
7	900 631 021 90	bulb 21 W yellow		X	
(7)	900 631 022 90	bulb 21/5 W		X	
7	900 631 017 90	bulb 21/4 W		X	
8	1J6 943 021 B	license plate light		2	
9	900 631 105 90	bulb 12V 5W		2	
10	997 631 050 02	additional stoplamp	05	1	COUPE
10	N 997 631 050 03	additional stoplamp	06	1	COUPE
(10)	997 631 054 02	additional stoplamp		1	CABRIO
11	997 631 203 00	clip		6	COUPE
12	U 997 631 051 01	additional stoplamp in spoiler see technical information GR. 9 , NR. 8/04		1	



Model	Year	MG	SG	Illustration	Restrictions	Update	13:45	17.11.2005	PORSCHE	PET	PORSCHE
997	06	9	06	906-01		194					

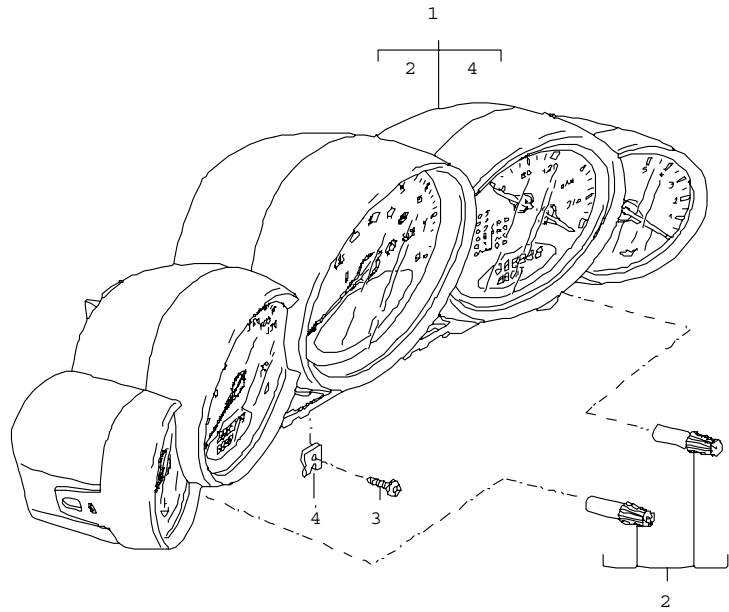


Pos	Part Number	Name	Remarks	Qty	Model
		instruments stopwatch			
(1)	997 641 103 05	instrument cluster complete	05	1	(USA) I022/ I480
	D07	volcano grey			
(1)	997 641 103 12	instrument cluster complete	06	1	(USA) I022/ I480
	D07	volcano grey			
1	997 641 104 05	instrument cluster complete	05	1	(USA) I022/ I249
	D07	volcano grey			
1	997 641 104 12	instrument cluster complete	06	1	(USA) I022/ I249
	D07	volcano grey			
(1)	997 641 105 05	instrument cluster complete	05	1	(CDN) I022/ I480
	D07	volcano grey			
(1)	997 641 105 12	instrument cluster complete	06	1	(CDN) I022/ I480
	D07	volcano grey			
1	997 641 106 05	instrument cluster complete	05	1	(CDN) I022/ I249
	D07	volcano grey			
1	997 641 106 12	instrument cluster complete	06	1	(CDN) I022/ I249
	D07	volcano grey			
(1)	997 641 113 05	instrument cluster	05	1	(USA) I023/ I480
	D07	volcano grey			
(1)	997 641 113 12	instrument cluster	06	1	(USA) I023/ I480

Model	Year	MG	SG	Illustration	Restrictions	Update	13:45	17.11.2005	PORSCHE	PET	PORSCHE
997	06	9	06	906-01		194					

Pos	Part Number	Name	Remarks	Qty	Model	Pos	Part Number	Name	Remarks	Qty	Model
	D07	volcano grey					V05	galvano silver for cars up to F >>995S7 16138 use also:			
1	997 641 114 05	instrument cluster	05	1	(USA) I023/ I249						
	D07	volcano grey				-	997 552 373 01	support		1	
1	997 641 114 12	instrument cluster	06	1	(USA) I023/ I249			- - - E N D - - -			
	D07	volcano grey									
(1)	997 641 115 05	instrument cluster	05	1	(CDN) I023/ I480						
	D07	volcano grey									
(1)	997 641 115 12	instrument cluster	06	1	(CDN) I023/ I480						
	D07	volcano grey									
1	997 641 116 05	instrument cluster	05	1	(CDN) I023/ I249						
	D07	volcano grey									
1	997 641 116 12	instrument cluster	06	1	(CDN) I023/ I249						
		complete									
	D07	volcano grey									
(2)	997 641 911 00	knob actuator tripmeter and clock		1							
3	999 073 339 09	oval-head screw 4,2 X 19		2							
4	999 507 403 02	u-clamp		2							
		stopwatch									
5	997 641 301 10	stopwatch		1	I025/639/640						
	V05	galvano silver for cars up to F >>995S7 16138 use also:									
-	997 552 373 01	support		1							
(5)	997 641 311 10	stopwatch		1	I026/639/640						

Model	Year	MG	SG	Illustration	Restrictions	Update	13:46	17.11.2005	PORSCHE	PET	PORSCHE
997	06	9	06	906-02		194					



Pos	Part Number	Name	Remarks	Qty	Model
		instruments exclusive programme C A R R E R A			
(1)	997 641 980 03	instrument cluster complete dial lacquered	05	1	(USA) I480
	5Z1	sand beige			IXFD
	8X8	terracotta			IXFE
	T13	brown/natural			IXFF
	84A	guards red			IXFG
	12H	speed yellow			IXFH
	B9A	carrara white			IXFJ
(1)	997 641 980 23	instrument cluster complete dial lacquered	06	1	(USA) I480
	5Z1	sand beige			IXFD
	8X8	terracotta			IXFE
	T13	brown/natural			IXFF
	84A	guards red			IXFG
	12H	speed yellow			IXFH
	B9A	carrara white			IXFJ
1	997 641 980 04	instrument cluster complete dial lacquered	05	1	(USA) I249
	5Z1	sand beige			IXFD
	8X8	terracotta			IXFE
	T13	brown/natural			IXFF
	84A	guards red			IXFG
	12H	speed yellow			IXFH
	B9A	carrara white			IXFJ

Model	Year	MG	SG	Illustration	Restrictions	Update	13:46	17.11.2005	PORSCHE	PET	PORSCHE
997	06	9	06	906-02		194					

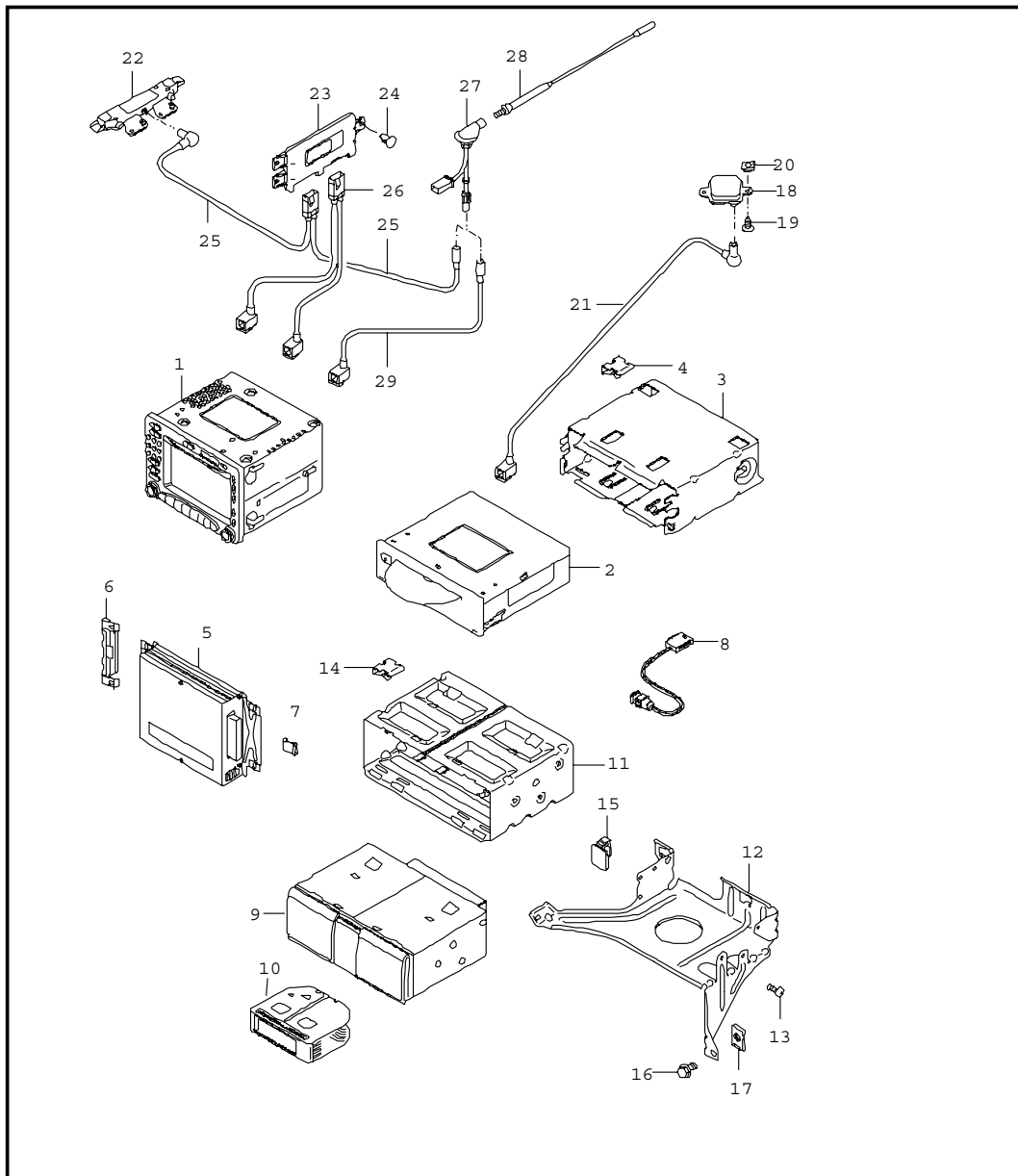
Pos	Part Number	Name	Remarks	Qty	Model	Pos	Part Number	Name	Remarks	Qty	Model
1	997 641 980 24	instrument cluster complete dial lacquered	06	1	(USA) I249		8X8	terracotta			IXFE
							T13	brown/natural			IXFF
	5Z1	sand beige			IXFD		84A	guards red			IXFG
	8X8	terracotta			IXFE		12H	speed yellow			IXFH
	T13	brown/natural			IXFF		B9A	carrara white			IXFJ
	84A	guards red			IXFG	1	997 641 980 26	instrument cluster complete dial lacquered	06	1	(CDN) I249
	12H	speed yellow			IXFH		5Z1	sand beige			IXFD
	B9A	carrara white			IXFJ		8X8	terracotta			IXFE
(1)	997 641 980 05	instrument cluster complete dial lacquered	05	1	(CDN) I480		T13	brown/natural			IXFF
							84A	guards red			IXFG
	5Z1	sand beige			IXFD		12H	speed yellow			IXFH
	8X8	terracotta			IXFE		B9A	carrara white			IXFJ
	T13	brown/natural			IXFF			C A R R E R A S			
	84A	guards red			IXFG	(1)	997 641 980 13	instrument cluster complete dial lacquered	05	1	(USA) I480
	12H	speed yellow			IXFH		5Z1	sand beige			IXFD
	B9A	carrara white			IXFJ		8X8	terracotta			IXFE
(1)	997 641 980 25	instrument cluster complete dial lacquered	06	1	(CDN) I480		T13	brown/natural			IXFF
							84A	guards red			IXFG
	5Z1	sand beige			IXFD		12H	speed yellow			IXFH
	8X8	terracotta			IXFE		B9A	carrara white			IXFJ
	T13	brown/natural			IXFF	(1)	997 641 980 33	instrument cluster complete dial lacquered	06	1	(USA) I480
	84A	guards red			IXFG		5Z1	sand beige			IXFD
	12H	speed yellow			IXFH		8X8	terracotta			IXFE
	B9A	carrara white			IXFJ		T13	brown/natural			IXFF
1	997 641 980 06	instrument cluster complete dial lacquered	05	1	(CDN) I249		84A	guards red			IXFG
	5Z1	sand beige			IXFD						

Model	Year	MG	SG	Illustration	Restrictions	Update	13:46	17.11.2005	PORSCHE	PET	PORSCHE
997	06	9	06	906-02		194					

Pos	Part Number	Name	Remarks	Qty	Model	Pos	Part Number	Name	Remarks	Qty	Model
	12H	speed yellow			IXFH	(1)	997 641 980 35	instrument cluster complete dial lacquered	06	1	(CDN) I480
	B9A	carrara white			IXFJ						
1	997 641 980 14	instrument cluster complete dial lacquered	05	1	(USA) I249		5Z1	sand beige			IXFD
	5Z1	sand beige			IXFD		8X8	terracotta			IXFE
	8X8	terracotta			IXFE		T13	brown/natural			IXFF
	T13	brown/natural			IXFF		84A	guards red			IXFG
	84A	guards red			IXFG		12H	speed yellow			IXFH
	12H	speed yellow			IXFH		B9A	carrara white			IXFJ
	B9A	carrara white			IXFJ	1	997 641 980 16	instrument cluster complete dial lacquered	05	1	(CDN) I249
1	997 641 980 34	instrument cluster complete dial lacquered	06	1	(USA) I249		5Z1	sand beige			IXFD
	5Z1	sand beige			IXFD		8X8	terracotta			IXFE
	8X8	terracotta			IXFE		T13	brown/natural			IXFF
	T13	brown/natural			IXFF		84A	guards red			IXFG
	84A	guards red			IXFG		12H	speed yellow			IXFH
	12H	speed yellow			IXFH		B9A	carrara white			IXFJ
	B9A	carrara white			IXFJ	1	997 641 980 36	instrument cluster complete dial lacquered	06	1	(CDN) I249
(1)	997 641 980 15	instrument cluster complete dial lacquered	05	1	(CDN) I480		5Z1	sand beige			IXFD
	5Z1	sand beige			IXFD		8X8	terracotta			IXFE
	8X8	terracotta			IXFE		T13	brown/natural			IXFF
	T13	brown/natural			IXFF		84A	guards red			IXFG
	84A	guards red			IXFG		12H	speed yellow			IXFH
	12H	speed yellow			IXFH		B9A	carrara white			IXFJ
	B9A	carrara white			IXFJ	(2)	997 641 911 00	knob actuator tripmeter and clock		1	



Model	Year	MG	SG	Illustration	Restrictions	Update	13:46	17.11.2005	PORSCHE	PET	PORSCHE
997	06	9	11	911-00		194					



Pos	Part Number	Name	Remarks	Qty	Model
		radio control part navigation system booster C A R R E R A / S			
1	A 997 642 131 05	control part FMH volcano grey/black mat F >>995S7 16151 F >>995S7 41124 see technical information GR. 9 , NR. 7/04		1	I665
(1)	A 997 642 131 06	control part FMH volcano grey/black mat F >>995S7 16151 F >>995S7 41124 see technical information GR. 9 , NR. 7/04		1	I665
(1)	A 997 642 133 05	control part FMH volcano grey/black mat F >>995S7 16130 F >>995S7 41123 see technical information GR. 9 , NR. 7/04		1	I665/680
(1)	A 997 642 133 06	control part FMH volcano grey/black mat F >>995S7 16130 F >>995S7 41123 see technical information GR. 9 , NR. 7/04		1	I665/680
1	> 997 642 101 11	control part FMH volcano grey/black mat F >>995S7 50848 F >>995S7 37431 F 995S7 16151>>995S7 17613 F 995S7 41125>>995S7 61191		1	I665
1	> 997 642 103 11	control part FMH volcano grey/black mat F 995S7 01789>>995S7 50848 F 995S7 32294>>995S7 37431 F 995S7 16131>>995S7 17613 F 995S7 41124>>995S7 61191		1	I665/680

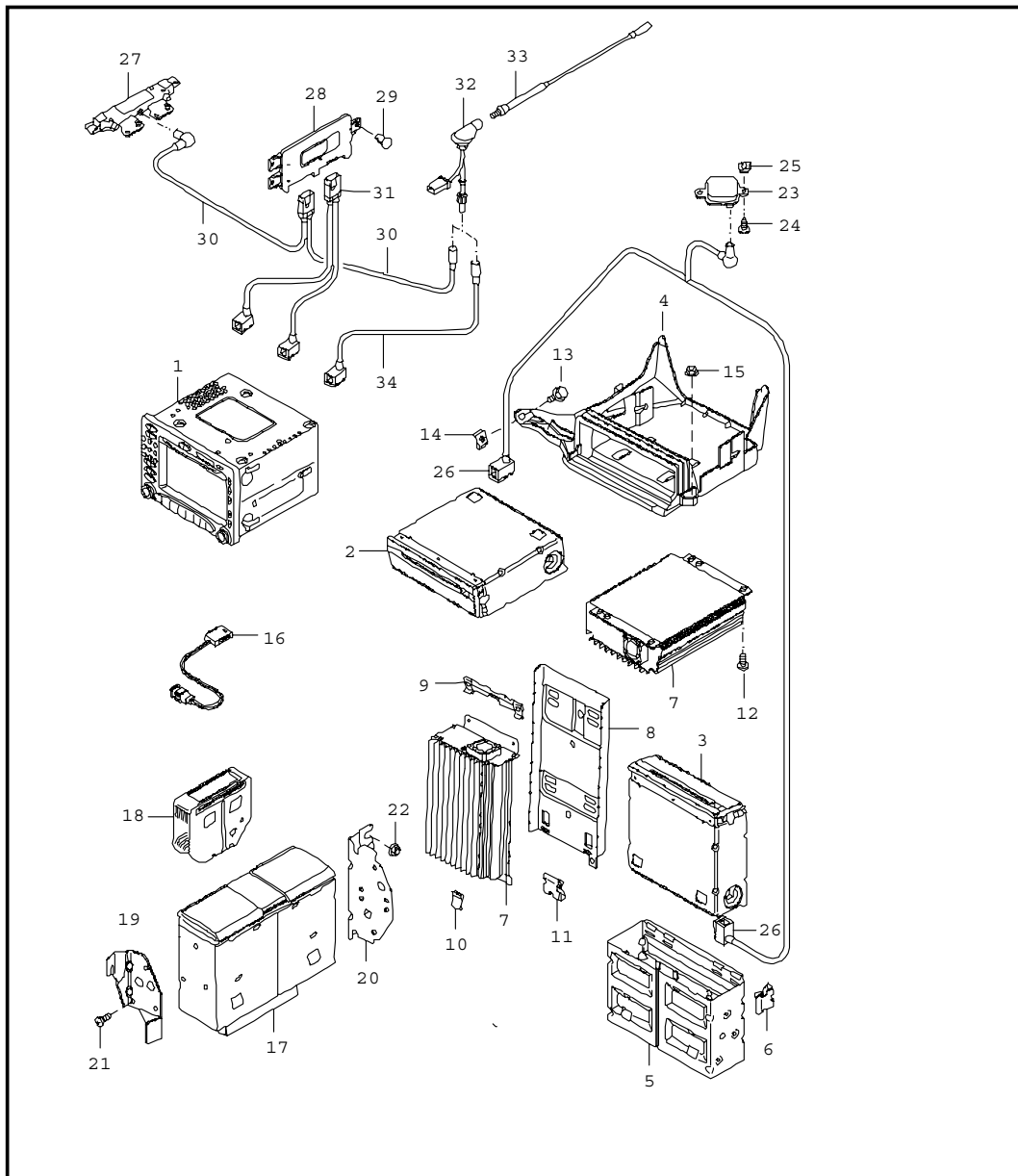
Model	Year	MG	SG	Illustration	Restrictions	Update	13:46	17.11.2005	PORSCHE	PET	PORSCHE
997	06	9	11	911-00		194					

Pos	Part Number	Name	Remarks	Qty	Model	Pos	Part Number	Name	Remarks	Qty	Model
1	> 997 642 141 02	control part		1	I665	2	> 997 642 137 02	dvd device navigation system F 995S7 50849>> F 995S7 37432>> F 995S7 17614>> F 995S7 61192>>		1	I670/672
	FMH	volcano grey/black mat F 995S7 50849>> F 995S7 37432>> F 995S7 17614>> F 995S7 61192>>									
1	> 997 642 143 02	control part		1	I665/680	-	997 642 257 02	dvd navigation system F 995S7 17614>>		1	I615
	FMH	volcano grey/black mat F 995S7 50849>> F 995S7 37432>> F 995S7 17614>> F 995S7 61192>>				-	997 642 148 02	cd-rom logbook	06	1	I641
-	997 642 201 00	rotary knob	/L	1		3	997 642 231 00	support dvd device		1	I670/672
	A05	black mat for control part see technical information GR. 9 , NR. 6/04				4	997 645 342 01	u-clamp		4	
-	997 642 202 00	rotary knob	/R	1		5	997 645 331 01	booster		1	COUPE I490
	A05	black mat for control part see technical information GR. 9 , NR. 6/04				5	997 645 332 00	booster		1	CABRIO I490
-	900 187 038 02	tapping screw ST4,2 X 19 for mount radio and control part centre console		1		(5) U	997 645 333 04	booster see technical information GR. 9 , NR. 4/04		1	COUPE I680
						(5)	997 645 333 06	booster F >>995S7 16130 F >>995S7 41123 see technical information GR. 9 , NR. 7/04 GR. 9 , NR. 13/04		1	COUPE I680 CARRERA CARRERA S
2	A 997 642 135 03	dvd device navigation system F >>995S7 16130 F >>995S7 41123		1	I670	(5)	997 645 334 22	booster note coding F 995S7 16131>> F 995S7 41124>>		1	I680 CARRERA CARRERA S
2	> 997 642 135 04	dvd device navigation system F >>995S7 50848 F >>995S7 37431 F >>995S7 17613 F >>995S7 61191		1	I670	6	997 645 340 00	clamp		1	I490/I680
						7	999 507 532 02	u-clamp		2	I490/I680
						8	997 646 307 02	microphone		1	I680
						(8)	997 646 307 01	microphone		1	I618/666/680
						-	997 610 233 00	cable guide microphone		1	
						9	> 997 645 140 02	cd changer	05	1	I692
						9	997 645 140 03	cd changer CDC 4 adjustment installation attention	06	1	I692

Model	Year	MG	SG	Illustration	Restrictions	Update	13:46	17.11.2005	PORSCHE	PET	PORSCHE
997	06	9	11	911-00		194					

Pos	Part Number	Name	Remarks	Qty	Model	Pos	Part Number	Name	Remarks	Qty	Model
10	996 645 113 00	rack cd changer		1	I692	(26)	997 612 058 00	connecting line control unit control part		1	I665/I694
11	997 645 222 00	support		1	I692						I665
12	997 645 221 00	support		1	I664/692	27	997 647 231 00	antenna base		1	COUPE I461
13	N 014 128 13	oval-head screw M 5 X 8		6	I692	(27)	997 647 221 00	antenna base		1	CABRIO I461
14	997 645 342 01	u-clamp		4	I692	28	997 647 233 00	antenna rod		1	COUPE I461
15	999 703 501 40	fastening part		2	I664/692	(28)	997 647 223 00	antenna rod		1	CABRIO I461
16	900 378 179 09	hexagon-head bolt M 6 X 16		2	I664/692			- - - E N D - - -			
17	999 507 766 02	speed nut M 6		2	I664/692						
18	997 642 105 00	antenna GPS		1	I670/672						
19	999 073 210 00	tapping screw 4,8 X 13		1	I670/672						
20	999 507 441 02	speed nut 4,8		1	I670/672						
21	997 612 060 25	connecting line antenna dvd device navigation system		1	I670/672						
22	997 647 117 00	antenna booster	/L	1	I440						
(22)	997 647 118 00	antenna booster	/R	1	I440						
23	997 647 124 00	control unit		1	I440						
24	999 591 904 40	fastening part		2	I440						
25	997 612 069 00	connecting line antenna booster control unit	/LL	1	COUPE I098/ I461/665						
25	997 612 066 00	connecting line antenna booster control unit	/LL	1	CABRIO I098/ I461/665						
(25)	997 612 055 00	connecting line antenna booster control unit	/LL	1	I098/665						

Model	Year	MG	SG	Illustration	Restrictions	Update	13:46	17.11.2005	PORSCHE	PET	PORSCHE
997	06	9	11	911-01		194					

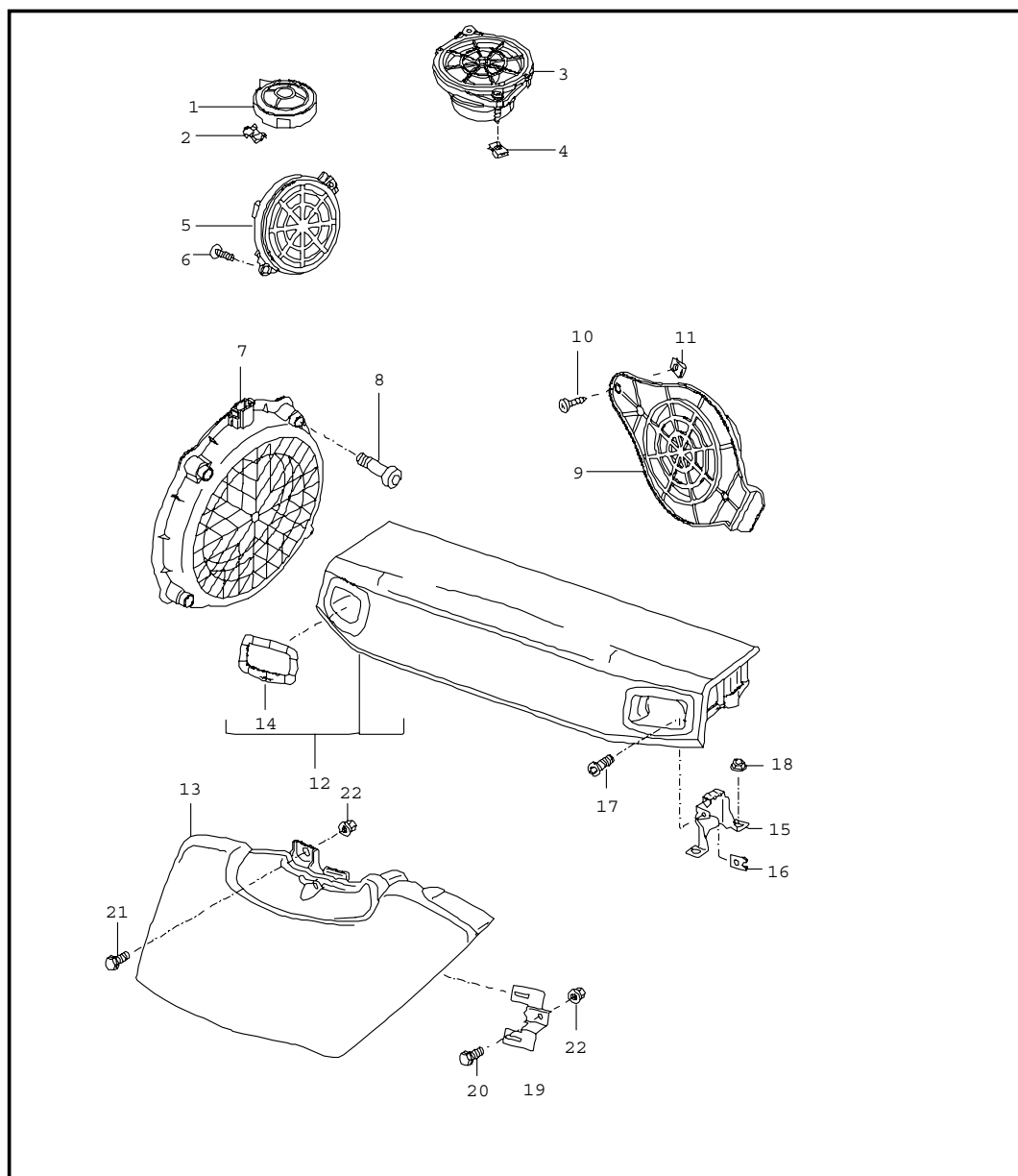


Pos	Part Number	Name	Remarks	Qty	Model
		radio control part navigation system booster C A R R E R A 4 / 4 S			
1	P 997 642 141 02	control part FMH volcano grey/black mat		1	I665
1	P 997 642 143 02	control part FMH volcano grey/black mat		1	I665/680
-	P 997 642 201 00	rotary knob A05 black mat for control part see technical information GR. 9 , NR. 6/04	/L	1	
-	P 997 642 202 00	rotary knob A05 black mat for control part see technical information GR. 9 , NR. 6/04	/R	1	
-	P 900 187 038 02	tapping screw ST4,2 X 19 for mount radio and control part centre console		1	
2	P 997 642 137 02	dvd device navigation system	/LL	1	I098/670/672
3	P 997 642 139 02	dvd device navigation system		1	I664/670/672
-	P 997 642 257 02	dvd navigation system		1	I615
-	P 997 642 148 02	cd-rom logbook		1	I641

Model	Year	MG	SG	Illustration	Restrictions	Update	13:46	17.11.2005	PORSCHE	PET	PORSCHE
997	06	9	11	911-01		194					

Pos	Part Number	Name	Remarks	Qty	Model	Pos	Part Number	Name	Remarks	Qty	Model
4	N 997 645 351 00	support dvd device and booster	/LL	1	I098/490/670 672/680	21	P N 014 128 13	oval-head screw M 5 X 8		6	I692
5	P 997 642 231 00	support dvd device		1	I664/670/672	22	P 900 377 018 09	hexagon nut M 6		3	I692
6	P 997 645 342 01	u-clamp		4	I664/670/672	23	P 997 642 105 00	antenna GPS		1	I670/672
(7)	P 997 645 331 01	booster		1	COUPE I490	24	P 999 073 210 00	tapping screw 4,8 X 13		1	I670/672
(7)	P 997 645 332 00	booster		1	CABRIO I490	25	P 999 507 441 02	speed nut 4,8		1	I670/672
7	P 997 645 334 22	booster note coding		1	I680	26	P 997 612 060 25	connecting line antenna dvd device navigation system		1	I670/672
8	N 997 645 341 01	support		1	I490/664/680	27	P 997 647 117 00	antenna booster	/L	1	I440
9	P 997 645 340 00	clamp		1	I490/664/680	(27)	P 997 647 118 00	antenna booster	/R	1	I440
10	P 999 507 532 02	u-clamp		2	I490/664/680	28	P 997 647 124 00	control unit		1	I440
11	P 997 645 342 01	u-clamp		4	I490/664/680	29	P 999 591 904 40	fastening part		2	I440
12	P 999 919 164 09	oval-head screw 5,0 X 12,0	/LL	X	I098/490/680	30	P 997 612 069 00	connecting line antenna booster control unit	/LL	1	COUPE I098/ I461/665
13	P 900 378 179 09	hexagon-head bolt M 6 X 16	/LL	1	I098/490/670 680	30	P 997 612 066 00	connecting line antenna booster control unit	/LL	1	CABRIO I098/ I461/665
14	P 999 507 766 02	speed nut M 6	/LL	1	I098/490/670 680	(30)	P 997 612 055 00	connecting line antenna booster control unit	/LL	1	I098/665
15	P 900 377 018 09	hexagon nut M 6	/LL	1	I098/490/670 680	(31)	P 997 612 058 00	connecting line control unit control part		1	I665/I694 I665
16	P 997 646 307 02	microphone		1	I680	32	P 997 647 231 00	antenna base		1	COUPE I461
(16)	P 997 646 307 01	microphone		1	I618/666/680	(32)	P 997 647 221 00	antenna base		1	CABRIO I461
-	P 997 610 233 00	cable guide microphone		1		33	P 997 647 233 00	antenna rod		1	COUPE I461
17	P 997 645 140 03	cd changer CDC 4 adjustment installation attention		1	I692	(33)	P 997 647 223 00	antenna rod		1	CABRIO I461
18	P 996 645 113 00	rack cd changer		1	I692			- - - E N D - - -			
19	N 997 645 233 00	support	/LL	1	I098/692						
20	N 997 645 235 00	support		1	I692						

Model	Year	MG	SG	Illustration	Restrictions	Update	13:46	17.11.2005	PORSCHE	PET	PORSCHE
997	06	9	11	911-05		194					

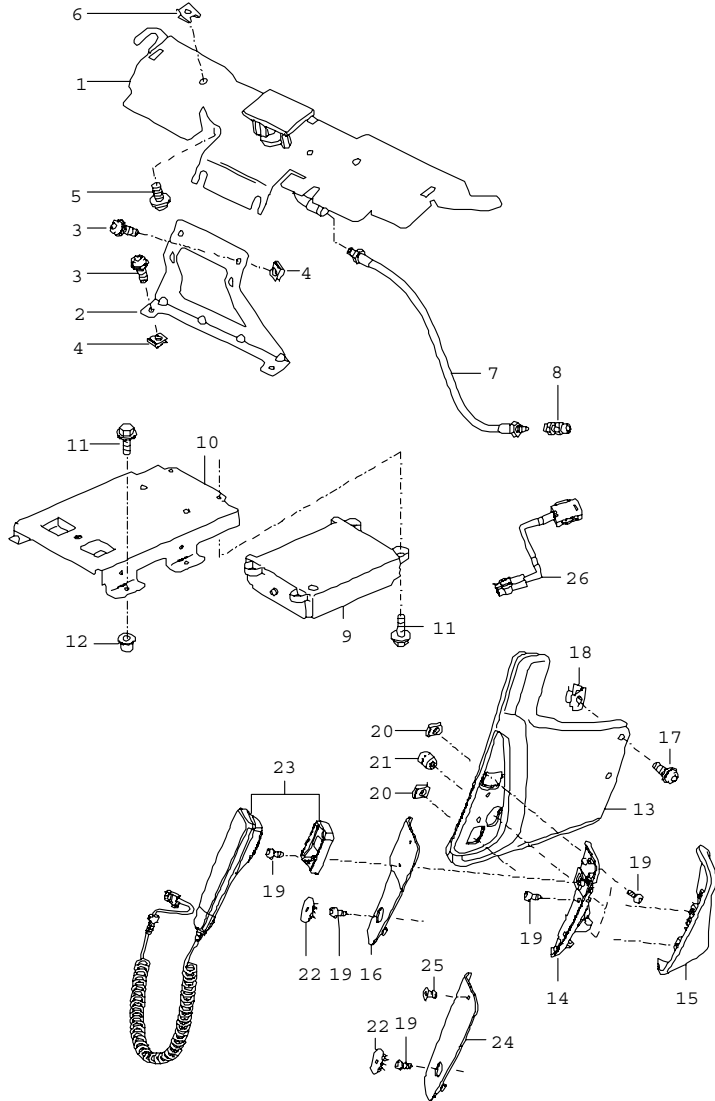


Pos	Part Number	Name	Remarks	Qty	Model
1	997 645 021 00	loudspeaker tweeter dashboard		2	I490
(1)	997 645 025 00	tweeter dashboard		2	I680
2	999 591 303 01	u-clamp		4	
3	997 645 033 00	loudspeaker dashboard centre		1	I490
(3)	997 645 035 00	loudspeaker dashboard centre		1	I680
4	999 507 971 01	speed nut 4,2		4	
5	997 645 543 00	mid-range loudspeaker door		2	I490
(5)	997 645 545 00	mid-range loudspeaker door		2	I680
6	999 919 164 09	oval-head screw 5,0 X 12		4	
7	997 645 553 00	woofer		2	I490
(7)	997 645 555 00	woofer		2	I680
8	N 014 743 2	pan-head screw M 6 X 30		8	
9	997 645 041 01	loudspeaker rear		2	I490
(9)	997 645 045 01	loudspeaker rear		2	I680
10	999 073 225 09	tapping screw 4,8 X 16		2	
11	999 507 441 09	speed nut 4,8		2	
12	997 645 564 00	subwoofer		1	COUPE I680
	FMF	black			
	FMG	stone grey			
	FMM	sand beige			

Model	Year	MG	SG	Illustration	Restrictions	Update	13:46	17.11.2005	PORSCHE	PET	PORSCHE
997	06	9	11	911-05		194					

Pos	Part Number	Name	Remarks	Qty	Model	Pos	Part Number	Name	Remarks	Qty	Model
	FMN	sea blue				17	999 073 113 09	oval-head screw M 6,0 X 50 ASP		2	COUPE I680
	FMO	palmgreen				18	900 380 015 09	hexagon nut VM 6		4	COUPE I680
	FMP	terracotta				19	997 645 569 00	support		2	CABRIO I680
	FMQ	cocoa				20	900 378 035 09	hexagon-head bolt M 6 X 16		2	CABRIO I680
	FMR	dark grey/natural				21	999 073 223 07	oval-head screw M 6 X 25		1	CABRIO I680
	FMS	brown/natural				22	999 500 069 02	blind rivet nut M 6		3	CABRIO I680
13	997 645 566 00	subwoofer	/LL	1	CABRIO I098/ I680						
	A10	black									
	B10	stone grey									
	T10	sand beige									
	E10	sea blue									
	J10	palmgreen									
	M10	terracotta									
	R10	cocoa									
	D11	dark grey/natural									
	T11	brown/natural									
14	996 645 568 00	rose		2	COUPE I680						
	A03	black									
	5V7	stone grey									
	5Z1	sand beige									
	8W7	sea blue									
	5Y2	palmgreen									
	8X8	terracotta									
	8P9	cocoa									
	T13	brown/natural									
(15)	996 645 245 00	support	/L	1	COUPE I680						
15	996 645 246 00	support	/R	1	COUPE I680						
16	999 507 766 02	speed nut M 6		2	COUPE I680						

Model	Year	MG	SG	Illustration	Restrictions	Update	13:53	17.11.2005	PORSCHE	PET	PORSCHE
997	06	9	11	911-10		194					



Pos	Part Number	Name	Remarks	Qty	Model
		telephone			I618/I666
1	997 647 125 01	antenna	/LL	1	I098
2	997 647 127 00	support	/LL	1	I098
3	999 073 236 0A	oval-head screw M 6 X 10		4	
4	999 507 550 0A	speed nut M 6		4	
5	999 073 210 00	tapping screw 4,8 X 13		2	
6	999 507 441 02	speed nut 4,8		2	
7	997 612 061 00	connecting line		1	I618
(7)	997 612 065 05	connecting line		1	I666
8	964 646 318 00	adapter plug		1	I618
9 >	997 646 208 04	control unit telephone F >>995S7 17613 see technical information GR. 9 , NR. 18/05		1	I666
9 >	997 646 208 13	control unit telephone F 995S7 17614>>		1	I666
10	997 642 216 00	support		1	I618/666
11	900 378 035 09	hexagon-head bolt M 6 X 16		4	I618/666
12	999 500 078 00	sheetmetal press nut M 6		2	I618/666
13	997 553 118 04	cover lateral	/LL	1	I098
	FSA	black/grey			
	FSB	stone grey/stone grey			
	FSC	sand beige/sand beige			
	FSD	seeblue/grey			
	FSE	palm-green/palm-green			
	FSF	terrakotta/terrakotta			
	FSG	cocoa/cocoa			

Model	Year	MG	SG	Illustration	Restrictions	Update	13:53	17.11.2005	PORSCHE	PET	PORSCHE
997	06	9	11	911-10		194					

Pos	Part Number	Name	Remarks	Qty	Model	Pos	Part Number	Name	Remarks	Qty	Model
		FSH darkgrey natural/grey				19	999 073 155 09	tapping screw 4,2 X 13		7	
		FSJ brown nat./brown nat.				20	999 507 971 01	speed nut 4,2		2	
14	997 553 520 00	adapter	/LL	1	I098	21	999 507 645 02	threaded piece 4,2		1	
15	997 553 418 01	cover	/LL	1	I098	22	997 553 751 00	cap		1	
	A11	black					01C	satin black			
	5X6	stone grey				22	997 553 984 00	cap leather	06	1	IXEA
	8G2	sand beige					A11	black			
	3S9	sea blue					5X6	stone grey			
	4P2	palmgreen					8G2	sand beige			
	9S5	terracotta					3S9	sea blue			
	9V6	cocoa					4P2	palmgreen			
	D12	dark grey/natural					9S5	terracotta			
	T12	brown/natural					9V6	cocoa			
16	997 553 522 00	plate	/LL	1	I098/668		D12	dark grey/natural			
	01C	satin black					T12	brown/natural			
16	997 553 986 00	plate leather	/LL 06	1	IXEA/098/668	23	996 642 212 02	receiver telephone		1	I668
	A11	black				23	996 642 980 15	receiver telephone leather	06	1	IXEA/668
	5X6	stone grey					A11	black			
	8G2	sand beige					5X6	stone grey			
	3S9	sea blue					8G2	sand beige			
	4P2	palmgreen					3S9	sea blue			
	9S5	terracotta					4P2	palmgreen			
	9V6	cocoa					9S5	terracotta			
	D12	dark grey/natural					9V6	cocoa			
	T12	brown/natural					D12	dark grey/natural			
17	999 073 226 09	tapping screw 4,2 X 16		2			T12	brown/natural			
18	999 591 508 02	captive nut 4,2		2							

Model	Year	MG	SG	Illustration	Restrictions	Update					
997	06	9	11	911-10		194	13:53	17.11.2005	PORSCHE	PET	PORSCHE

Pos	Part Number	Name	Remarks	Qty	Model	Pos	Part Number	Name	Remarks	Qty	Model
24	997 553 522 01	plate	/LL	1	I098/618						
	01C	satin black									
25	999 919 230 00	countersunk-head screw		1	I618						
		3 X 10									
26	997 646 307 00	microphone		1	I618/I666						
(26)	997 646 307 01	microphone		1	I618/I666/ I680						
-	997 610 233 00	cable guide		1							
		microphone									
		- - - E N D - - -									

I XAA AEROKIT CUP  
I XCZ SWITCH TRAVEL SHORTENING  
I XD9 WHEEL PAINTED IN BODY COLOUR  
I XFD INSTRUMENT DIALS IN SAND BEIGE  
I XFE INSTRUMENT DIALS IN TERRAKOTTA  
I XFF INSTRUMENT DIALS IN BROWN/NATURAL  
I XFG INSTRUMENT DIALS IN GUARDS RED  
I XFH INSTRUMENT DIALS IN SPEEDYELLOW  
I XFJ INSTRUMENT DIALS IN CARRARA WHITE  
I XKD SIDE AIR VENT IN CARBON  
I XKJ DEFROSTER TRIM IN CARBON/LEATHER  
I XLF SPORTS EXHAUST SYSTEM  
I XMA ROOFLINING IN LEATHER  
I XME REAR SECTION OF CENTRE CONSOLE PAINTED  
I XMJ REAR SECTION OF CENTRE CONSOLE IN CARBON  
I XMP LEATHER SUN VISOR, 2 LIT MAKE-UP MIRRORS  
I XMP ILLUMINATED  
I XMR SUN VISOR IN LEATHER, 2 ILLUMINATED VANITY MIRRORS, MAP LIGHT  
I XMZ REAR SECTION OF CENTRE CONSOLE IN LEATHER  
I XNG INSTRUMENT SURROUND IN LEATHER  
I XN3 DASHBOARD SIDE AIR VENT IN LEATHER  
I XPA 3-SPOKE SPORTS STEERING WHEEL IN LEATHER INTERIOR COLOUR  
I XSC PORSCHE CREST EMBOSSED IN HEADREST  
I XSX SEAT BELTS IN GUARDS RED  
I XSY SEAT BELTS IN SPEED YELLOW  
I TTL DOOR FEATURES IN CARBON  
I XV1 DEFROSTER TRIM IN LEATHER  
I XX1 FLOOR MATS, LOGO, LEATHER BORDER  
I X69 DOOR ENTRY GUARDS IN CARBON WITH LOGO  
I X70 DOOR ENTRY GUARDS IN STAINLESS STEEL WITH LOGO  
I 022 BLACK-COLOURED INSTRUMENT DIALS  
I 023 silver-coloured instrument dials  
I 024 VERSION FOR GREECE  
I 029 STANDARD CHASSIS  
I 030 SPORT-TYPE RUNNING GEAR  
I 032 TOURING SUSPENSION  
I 034 VERSION FOR ITALY  
I 058 IMPACT ABSORBERS FRONT AND REAR  
I 061 VERSION FOR GREAT BRITAIN  
I 062 VERSION FOR SWEDEN  
I 063 VERSION LUXEMBURG  
I 064 VERSION FOR NETHERLANDS  
I 065 VERSION FOR DENMARK  
I 066 VERSION FOR NORWAY  
I 067 VERSION FOR FINLAND  
I 068 PAP RIGHT-HAND DRIVE VERSION  
I 069 OTHER COUNTRY VERSION  
I 071 EU COUNTRY VERSION  
I 072 VERSION FOR MEXICO  
I 073 VERSION FOR RUSSIA

I074 PAP LEFT-HAND DRIVE VERSION  
I098 LEFT-HAND DRIVE VERSION  
I099 RIGHT-HAND DRIVE VERSION  
I111 VERSION FOR AUSTRIA  
I113 VERSION FOR CANADA  
I114 VERSION FOR TAIWAN  
I119 VERSION FOR SPAIN  
I124 VERSION FOR FRANCE  
I126 CONTROL AND INDICATIONS IN FRENCH LETTERING  
I127 CONTROL AND INDICATIONS IN SCHWEDISCH  
I130 CONTROL AND INDICATIONS IN ENGLISH LETTERING  
I150 OPERATES WITH LEADED GAS  
I193 VERSION FOR JAPAN  
I197 STRONGER BATTERY  
I210 LICENCE PLATE HOLDER VERSION 2  
I211 LICENCE PLATE HOLDER VERSION 3  
I215 VERSION FOR SAUDI ARABIA  
I218 LICENCE PLATE HOLDER VERSION 4  
I219 DIFFERENTIAL  
I220 LOCKING DIFFERENTIAL 40 %  
I225 VERSION FOR BELGIUM  
I249 TIPTRONIC TRANSMISSION  
I265 AUTOMATIC ANTI-DAZZLE INTERIOR MIRROR WITH RAIN  
I265 SENSOR  
I266 AUTOMATIC ANTI-DAZZLE EXTERIOR MIRROR  
I267 AUTOMATICALLY DIMMABLE INTERIOR  
I267 AND EXTERIOR MIRROR  
I268 RAIN SENSOR  
I270 OUTSIDE MIRROR -PLAN- DRIVER'S SIDE,  
I270 ELECTRICALLY ADJUSTABLE AND HEATABLE  
I271 OUTSIDE MIRROR -ASPHERICAL- DRIVER'S SIDE,  
I271 ELECTRICALLY ADJUSTABLE AND HEATABLE  
I273 OUTSIDE MIRROR,  
I273 ELECTRICALLY ADJUSTABLE AND HEATABLE  
I274 MAKE-UP MIRROR ILLUMINATED  
I277 VERSION FOR SWITZERLAND  
I288 HEADLAMP WASHER  
I325 VERSION FOR SOUTH AFRICA/NEW ZEALAND  
I335 AUTOMATIC SAFETY BELT, 3-POINT,  
I335 REAR  
I338 REAR-WHEEL DRIVE  
I339 4-WHEEL DRIVE  
I342 SEAT HEATING SYSTEM, LEFT/RIGHT SEAT  
I369 SERIES SEAT, LEFT  
I370 SERIES SEAT, RIGHT  
I375 SPORTSEAT, BACKREST SHELL, LEFT  
I376 SPORTSEAT, BACKREST SHELL, RIGHT  
I392 17" CARRERA WHEEL  
I402 CARRERA 3 WHEEL 18"  
I403 CARRERA S WHEEL 19"

I405 CARRERA CLASSIC WHEEL 19"  
I406 CARRERA GT WHEEL 19"/20"  
I407 SPORTDESIGN WHEEL 19"  
I411 18" CARRERA-WHEEL  
I424 CD COMPARTMENT  
I425 REAR WINDOW WIPER  
I426 WITHOUT REAR WINDOW WIPER  
I431 MULTI-FUNCTION STEERING WHEEL, TOUCH & FEEL  
I432 STEERING WHEEL WITH TIPTRONIC CONTROL  
I435 SPORTS STEERING WHEEL  
I436 3-SPOKE AIRBAG STEERING WHEEL  
I437 COMFORT SEAT LEFT,  
I437 ELECTRICALLY ADJUSTABLE  
I438 COMFORT SEAT RIGHT,  
I438 ELECTRICALLY ADJUSTABLE  
I439 ELECTRICAL  
I439 ROOF CATCH  
I440 ANTENNA DIVERSITY  
I441 PREPARED FOR RADIO  
I446 CONCAVE HUB CAPE  
I446 WITH COLOURED ESCUTCHEON  
I447 EMERGENCY WHEEL  
I450 CERAMIC BRAKE (PCCB)  
I451 MULTI-FUNCTION STEERING WHEEL, MAKASSAR,  
I451 TOUCH & FEEL  
I452 MULTI-FUNCTION STEERING WHEEL, SYCAMORE WOOD,  
I452 TOUCH & FEEL  
I453 MULTI-FUNCTION STEERING WHEEL, CARBON, TOUCH & FEEL  
I454 AUTOMATIC SPEED CONTROL  
I459 3-SPOKE AIRBAG STEERING WHEEL, TOUCH & FEEL  
I460 SPORTS STEERING WHEEL, TOUCH & FEEL  
I461 ROD ANTENNA  
I465 REAR FOG LIGHT, LEFT  
I466 REAR FOG LIGHT, RIGHT  
I475 PASM ELECTRONIC DAMPER CONTROL  
I476 PORSCHE STABILITY MANAGEMENT (PSM)  
I479 VERSION FOR AUSTRALIA  
I480 6-SPEED MANUAL TRANSMISSION  
I482 TYRE PRESSURE MONITORING SYSTEM TPMS, 433 MHZ  
I483 315-MHZ RDK, TYRE PRESSURE MONITORING SYSTEM  
I484 VERSION FOR USA  
I488 INSCRIPTIONS IN GERMAN LANGUAGE  
I490 SOUND SYSTEM "ASK"  
I492 FOR LEFT-HAND TRAFFIC  
I498 WITHOUT VEHICLE-TYPE-LETTERING ON REAR END  
I499 VERSION FOR GERMANY  
I509 FIRE EXTINGUISHER  
I513 BACK-SUPPORT (LORDOSE) RIGHT SEAT  
I532 DELETED REMOTE CONTROL ANTI-THEFT DEVICE  
I533 RADIO CONVERTIBLE-TOP OPERATION OMITTED

I 534 THEFT SECURITY SYSTEM 433 MHZ  
I 535 THEFT SECURITY SYSTEM 315 MHZ  
I 536 ALARM SIREN AND TILT SENSOR  
I 537 SEATING POSITION CONTROL FOR  
I 537 CONFORT SEAT, LEFT  
I 538 SEATING POSITION CONTROL  
I 538 FOR CONFORT SEAT, RIGHT  
I 539 MECHANICAL SEAT-HEIGHT ADJUSTMENT LEFT  
I 540 MECHANICAL SEAT-HEIGHT ADJUSTMENT RIGHT  
I 549 ROOF RACK SYSTEM  
I 550 HARDTOP  
I 551 WIND DEFLECTOR  
I 553 VERSION FOR USA, CANADA  
I 562 AIRBAGDRIVER'S SIDE AND FRONT PASSENGER'S SIDE  
I 563 SIDE AIRBAG  
I 566 FOG-HEADLAMPS, WHITE  
I 567 WINDSHIELD TINTED, UPPER PART  
I 567 DARKER COLOURED  
I 571 ACTIVATED CHARCOAL FILTER  
I 573 AIR CONDITIONER  
I 574 WITHOUT AIR CONDITIONER  
I 581 CENTER CONSOLE FRONT  
I 586 BACK-SUPPORT (LORDOSE) LEFT SEAT  
I 601 XENON LIGHT  
I 602 ARAISED STOP LAMP  
I 606 DAYTIME RUNNING LAMP  
I 607 GARAGE DOOR OPENER "HOMELINK" 315MHZ  
I 608 GARAGE DOOR OPENER "HOMELINK" 433MHZ  
I 610 DVD NAVIGATION "PAKET EUROPA"  
I 611 DVD NAVIGATION SOUTH AFRICA  
I 612 DVD NAVIGATION MIDDLE EAST  
I 613 DVD NAVIGATION AUSTRALIA  
I 614 DVD NAVIGATION ASIA-PACIFIC  
I 618 PREPARATION OF TELEPHONE INSTALLATION  
I 620 E-ACCELERATOR  
I 625 KESSY PORSCHE ENTRY AND DRIVE  
I 635 PARKING ASSISTENT  
I 639 SPORTS CHRONO PACKAGE  
I 640 SPORTS CHRONO PACKAGE PLUS  
I 650 ELECTRICAL SLIDING ROOF  
I 651 ELECTRIC WINDOW OPENER  
I 652 WITHOUT SLIDING/TILTING ROOF  
I 657 POWER ASSISTED STEERING  
I 659 COMPUTER  
I 660 OBD 2  
I 661 STRICTER EMISSION-CONTROL CONCEPT  
I 664 ORVR  
I 665 PCM2 BASIC MODULE INCLUDING RADIO  
I 666 PCM2 TELEPHONE (GSM)  
I 668 PCM2 TELEPHONE HANDSET

I 670 PCM2 NAVIGATION  
I 680 BOSE SOUND PACKAGE  
I 685 REAR SEATS, DEVIDED  
I 689 PREPERATION OF CD-CHANGER  
I 692 CD-CHANGER "PORSCHE "  
I 694 CD-RADIO "PORSCHE CDR 24"  
I 801 MAKASSAR WOOD PACKAGE, DARK DULLED SATIN  
I 802 SYCAMORE WOOD PACKAGE, LIGHT DULLED SATIN  
I 803 CARBON PACKAGE  
I 936 SEAT COVERS REAR, LEATHER  
I 937 SEAT COVERS REAR, LEATHERETTE  
I 939 SEAT COVERS REAR, DRAPED LEATHER  
I 946 SEAT COVERS FRONT,  
I 946 LEATHER/LEATHER/LEATHERETTE  
I 981 LEATHER EQUIPMENT, WITHOUT SEAT COVERS  
I 982 SEAT COVERS FRONT,  
I 982 DRAPED LEATHER/LEATHER/LEATHER  
I 983 SEAT COVERS FRONT, LEATHER  
I 990 SEAT COVERS FRONT,  
I 990 CLOTH/CLOTH/LEATHERETTE  
I 999 PASSENGER COMPARTMENT MONITORING SENSOR  
I 999 FOR LEATHER COLOUR OF CHOICE

**PET  
V-PAGES**

Model	Year	MG	SG	Illustration	VIN No.	Update		
997	06	9	11	911-10		194	13:53	17.11.2005

TR203

THIS PARTS CATALOGUE CONTAINS ALL ORDER INFORMATION OF  
TYPE 997 FROM MODEL YEAR 2005

IT IS AVAILABLE IN TWO EDITIONS IN THE FOLLOWING LANGUAGES:

EDITION

USA, CANADA - \*

EDITION

ALL OTHER COUNTRIES - GERMAN

\* - ENGLISH

- FRENCH

- ITALIAN

- SPANISH

UPDATING IS BEING PERFORMED BY CHANGING OF UPDATE.

THE EDITION CAN BE RECOGNIZED BY THE CURRENT NO.  
IN THE BOTTOM LINE OF SUBJECT UPDATE.

THE PREVIOUS UPDATE SHOULD NO LONGER BE USED.

ALL ILLUSTRATIONS ARE SUBJECT TO CHANGE WITHOUT OBLIGATION.

THE SEATS FOR EACH MODEL ARE AVAILABLE IN THE PARTS CATALOGUE  
"SEATS (STZ 19)".



PORSCHE

# PET V-PAGES

PORSCHE

Model	Year	MG	SG	Illustration	VIN No.	Update	13:53	17.11.2005
997	06	9	11	911-10		194		

FR203

VEHICLE TYPE	MY	VIN	ENGINE	TYPE
997 COUPE	05 5	995S7 00061>10000	M96.05	235 KW
997 COUPE (USA.CDN.MEX.BR)	05 5	995S7 15061>30000	M96.05	235 KW
997 COUPE S	05 5	995S7 30061>40000	M97.01	261 KW
997 COUPE S (USA.CDN.MEX.BR)	05 5	995S7 40061>50000	M97.01	261 KW
997 CABRIO	05 5	995S7 50061>55000	M96.05	235 KW
997 CABRIO (USA.CDN.MEX.BR)	05 5	995S7 55061>60000	M96.05	235 KW
997 CABRIO S	05 5	995S7 60061>65000	M97.01	261 KW
997 CABRIO S (USA.CDN.MEX.BR)	05 5	995S7 65061>70000	M97.01	261 KW
997 COUPE	06 6	996S7 00061>10000	M96.05	239 KW
997 COUPE (USA.CDN.MEX.BR)	06 6	996S7 15061>30000	M96.05	239 KW
997 COUPE S	06 6	996S7 30061>40000	M97.01	261 KW
997 COUPE S (USA.CDN.MEX.BR)	06 6	996S7 40061>50000	M97.01	261 KW
997 CABRIO	06 6	996S7 50061>55000	M96.05	239 KW
997 CABRIO (USA.CDN.MEX.BR)	06 6	996S7 55061>60000	M96.05	239 KW
997 CABRIO S	06 6	996S7 60061>65000	M97.01	261 KW
997 CABRIO S (USA.CDN.MEX.BR)	06 6	996S7 65061>70000	M97.01	261 KW

# PET V-PAGES

Model	Year	MG	SG	Illustration	VIN No.	Update		
997	06	9	11	911-10		194	13:53	17.11.2005

TR203

EXPLANATION OF THE MOTOR-NUMBERS USED IN THE CATALOGUE  
 =====

DIGIT:		1	2	3		4	5	6	7	8
EXAMPLE:		6	9	5		0	0	1	3	6
		=	=	=		=	=	=	=	=
		!	!	!		!				!
ENGINE TYPE (6 = 6-CYL.-ENGINE)	-----+-----	!	!	!		!				!
		!	!			!				!
ENGINE VERSION	-----+-----	!				!				!
		!				!				!
MODEL YEAR	-----+-----									!
										!
SERIAL NUMBER	-----+-----									!

PORSCHE

# PET V-PAGES

PORSCHE

Model	Year	MG	SG	Illustration	VIN No.	Update		
997	06	9	11	911-10		194	13:53	17.11.2005

MR203

VEHICLE TYPE	ENGINE TYPE	MY	ENGINE NO.	TECHNICAL DATA
997 COUPE/CABRIO	M96.05	05 5	695 00501>20000	6ZYL/3,6L /235 KW
997 COUPE S/CABRIO S	M97.01	05 5	685 00501>60000	6ZYL/3,8L /261 KW
997 COUPE/CABRIO	M96.05	06 6	696 00501>20000	6ZYL/3,6L /239 KW
997 COUPE S/CABRIO S	M97.01	06 6	686 00501>60000	6ZYL/3,8L /261 KW

# PET V-PAGES

Model	Year	MG	SG	Illustration	VIN No.	Update		
997	06	9	11	911-10		194	13:54	17.11.2005

TR203

EXPLANATION OF THE TRANSMISSION-NUMBERS USED IN THE CATALOGUE

```

=====
DIGIT:                1  2  3  4  5      6  7  8  9 10 11
EXAMPLE:              G  9  7  0  1      1  0  0  5  4  3
                      =  =====      =  =====
                      !          !          !          !
                      !          !          !          !
TRANSMISSION TYPE-----+          !          !          !
                      !          !          !          !
TRANSMISSION VERSION-----+          !          !          !
                      !          !          !          !
INDEX OF VARIANTS-----+          !          !          !
                      !          !          !          !
SERIAL NUMBER-----+          !          !          !
    
```

# PET V-PAGES

Model	Year	MG	SG	Illustration	VIN No.	Update		
997	06	9	11	911-10		194	13:54	17.11.2005

GR203

VEHICLE TYPE	TYPE	MY	TRANSMISSION NO.	TECHNICAL DATA
997 CARRERA	G97.01	05 5	G9701 1 002001>999999	6-GANG
997 CARRERA TIPTRONIC	A97.01	05 5	A9701 1 002001>999999	5-GANG
997 CARRERA C2	G97.01	06 6	G9701 1 002001>999999	6-GANG
997 CARRERA TIP C2	A97.01	06 6	A9701 1 002001>999999	5-GANG
997 CARRERAC4	G97.31	06 6	G9731 1 002001>999999	6-GANG
997 CARRERA TIP C4	A97.31	06 6	A9731 1 002001>999999	5-GANG

# PET V-PAGES

Model	Year	MG	SG	Illustration	VIN No.	Update	13:54	17.11.2005
997	06	9	11	911-10		194		

TR203

LEGENDS AND NOTICES

=====

IN COLUMN -S- STATUS

-----

- N NEW ADDITION
- P PART ALREADY IN PROGRAMME, BUT NEW AT THIS APPLICATION
- W DELETED AT THIS APPLICATION, BUT CONTINUED TO BE CARRIED
- A STOCK TO BE USED UP
- U DELETED WITHOUT REPLACEMENT
- \* PART ALSO OR ONLY AVAILABLE IN REPAIR KIT
- > ALSO AVAILABLE IN EXCHANGE

IN COLUMN - ILL. -

-----

- 1 IDENTIFICATION NO. IN ILLUSTRATION
- (1) PART ONLY SIMILAR AS ILLUSTRATED
- PART IS NOT ILLUSTRATED

FIG.-NUMBERS FOR WHICH THERE IS SHOWN NO TEXT ARE NOT VALID FOR THIS EDITION OF CATALOGUE

IN COLUMN -PART NUMBER/CODE-

-----

000 000 000 00 PART NUMBER EQUALS ORDERING NO., IF A CODE IS SHOWN, IT WILL HAVE TO BE PART OF ORDERING NUMBER

01C COLOUR CODE

IN COLUMN -TEXT

-----

INSTALLATION WITH ENGINE OR CHASSIS NUMBER-RANGE

EXAMPLE:

M 695 00389>> FROM ENGINE NO.

F >>995S7 00889 UP TO CHASSIS NO.

# PET V-PAGES

Model	Year	MG	SG	Illustration	VIN No.	Update	13:54	17.11.2005
997	06	9	11	911-10		194		

TR203

IN COLUMN - A -  
-----

IDENTIFICATION LETTER FOR PERIOD OF INSTALLATION  
THAT IS REPEATED SEVERAL TIMES IN THE CATALOG GROUP.

EXPLANATION PLEASE FIND IN TEXT COLUMN OF THE CATALOG GROUP

IN COLUMN - QU - = NO. OF PIECES  
-----

- 1 NUMBER PER APPLICATION
- X NUMBER AS NEEDED
- \* AVAILABLE ONLY IN RUNNING LENGTHS 1 = 1 METRE

IN COLUMN - MODEL/SYMBOL -  
-----

- M650 OPTIONAL EQUIPMENT - SEE M-NO. LIST
- 98 LIMITATION OF MODEL YEAR FOR INSTANCE: VALID UP TO  
END OF MODEL YEAR 1997
- /LL LHD
- /RL RHD
- /V FRONT I  
I
- /H REAR I  
I----> APPLIES TO  
DIRECTION OF TRAVEL
- /L LEFT I  
I
- /R RIGHT I  
-----+
- WW THE PART CAN BE USED INSTEAD OF THE  
PRECEDING ONE.

# PET V-PAGES

Model	Year	MG	SG	Illustration	VIN No.	Update	13:54	17.11.2005
997	06	9	11	911-10		194		

TR203

EQUIPMENT BY COUNTRY REGULATIONS  
=====

- (A) AUSTRIA
- (AG) ARABIAN GULF STATES
- (AUS) AUSTRALIA
- (B) BELGIUM
- (BR) BRAZIL
- (CDN) CANADA
- (CH) SWITZERLAND
- (CN) PEOPLE'S REPUBLIC OF CHINA
- (D) FEDERAL REPUBLIC OF GERMANY
- (DK) DENMARK
- (E) SPAIN
- (F) FRANCE
- (GB) GREAT BRITAIN
- (GR) GREECE
- (HK) HONGKONG
- (I) ITALY
- (J) JAPAN
- (L) LUXEMBURG
- (N) NORWAY
- (NL) NETHERLANDS
- (NZ) NEW ZEALAND
- (P) PORTUGAL
- (ROK) KOREA
- (RC) TAIWAN
- (THA) THAILAND
- (S) SWEDEN
- (SA) SAUDI ARABIA
- (SF) FINLAND
- (USA) UNITED STATES OF AMERICA
- (ZA) SOUTH AFRICA